



US00D844716S

(12) **United States Design Patent**  
**Gan**

(10) **Patent No.:** **US D844,716 S**

(45) **Date of Patent:** **\*\* Apr. 2, 2019**

(54) **REMOTE CONTROLLER**

(71) Applicant: **NINGBO PELICAN DRONE CO., LTD.**, Ningbo (CN)

(72) Inventor: **Tao Gan**, Melbourne (AU)

(73) Assignee: **NINGBO PELICAN DRONE CO., LTD.**, Ningbo (CN)

(\*\*) Term: **15 Years**

(21) Appl. No.: **29/610,487**

(22) Filed: **Jul. 12, 2017**

(51) **LOC (11) Cl.** ..... **21-01**

(52) **U.S. Cl.**  
USPC ..... **D21/566**; D21/333; D14/401

(58) **Field of Classification Search**  
USPC .... D14/218, 349, 401, 480.5; D21/333, 566  
CPC ..... A63F 13/00; A63F 13/02; A63F 13/06;  
A63F 9/24; G06F 17/00  
See application file for complete search history.

(56) **References Cited**

**U.S. PATENT DOCUMENTS**

D672,397 S \* 12/2012 Wai ..... D14/401  
D710,946 S \* 8/2014 Biheller ..... D14/401  
D712,970 S \* 9/2014 Biheller ..... D21/330  
D723,032 S \* 2/2015 Schoenith ..... D14/401  
D735,721 S \* 8/2015 Mar ..... D14/401

D736,859 S \* 8/2015 Joynes ..... D14/401  
D740,288 S \* 10/2015 O'Donnell, Sr. .... D14/401  
D749,527 S \* 2/2016 Li ..... D13/168  
D801,893 S \* 11/2017 Simoens ..... D12/174  
D802,677 S \* 11/2017 Hung ..... D21/330  
D816,674 S \* 5/2018 Wu ..... D14/401  
D823,949 S \* 7/2018 Lu ..... D21/566  
D828,463 S \* 9/2018 Xiao ..... D21/566

\* cited by examiner

*Primary Examiner* — Cynthia M. Chin

(74) *Attorney, Agent, or Firm* — W&K IP

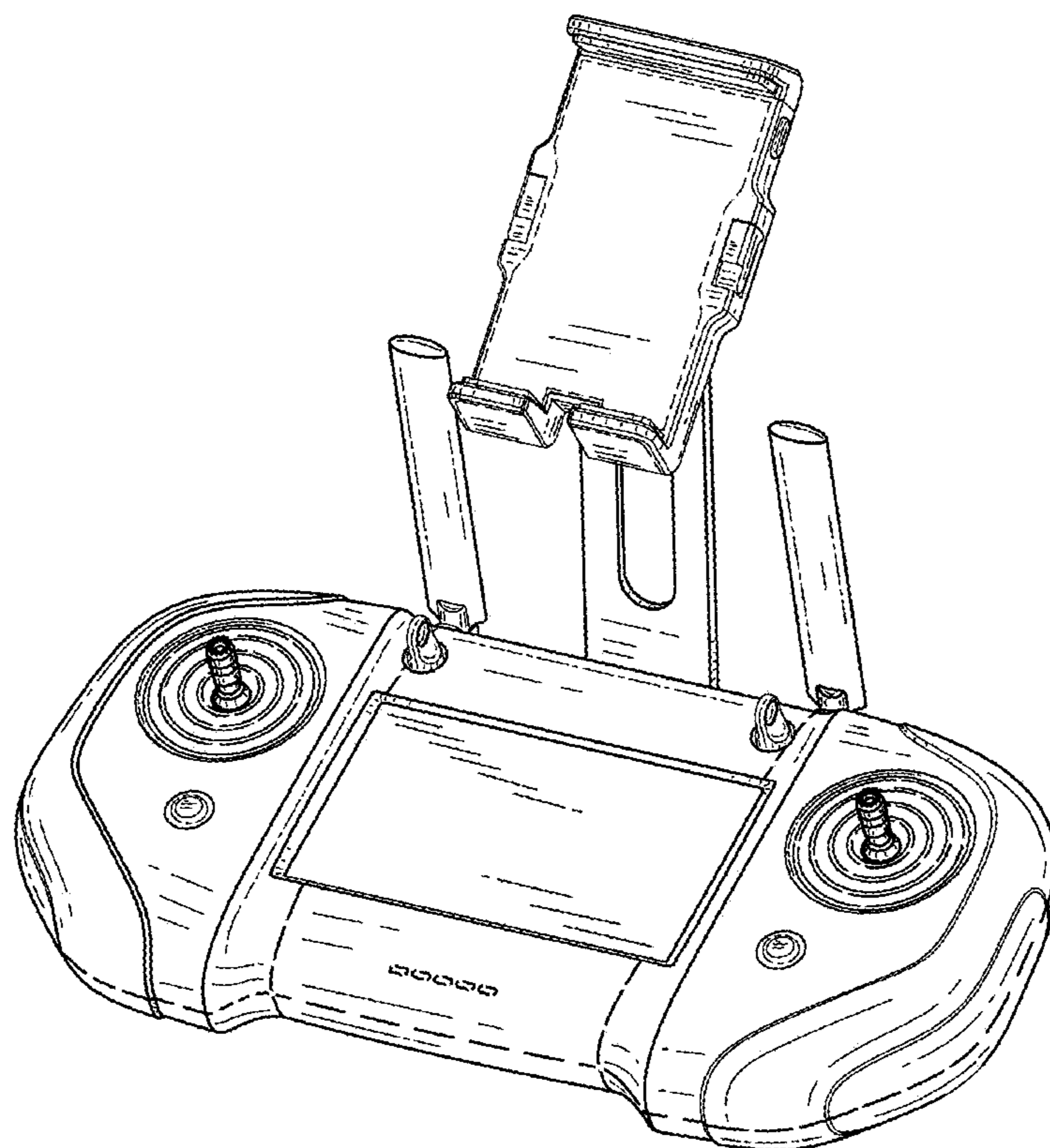
(57) **CLAIM**

The ornamental design for remote controller, as shown and described.

**DESCRIPTION**

FIG. 1 is a perspective view showing my design;  
FIG. 2 is a front view showing my design;  
FIG. 3 is a rear view showing my design;  
FIG. 4 is a left side view showing my design;  
FIG. 5 is a right side view showing my design;  
FIG. 6 is a top plan view showing my design; and,  
FIG. 7 is a bottom plan view showing my design.  
The evenly broken lines shown in the drawings depict portions of the remote controller that form no part of the claimed design.

**1 Claim, 7 Drawing Sheets**



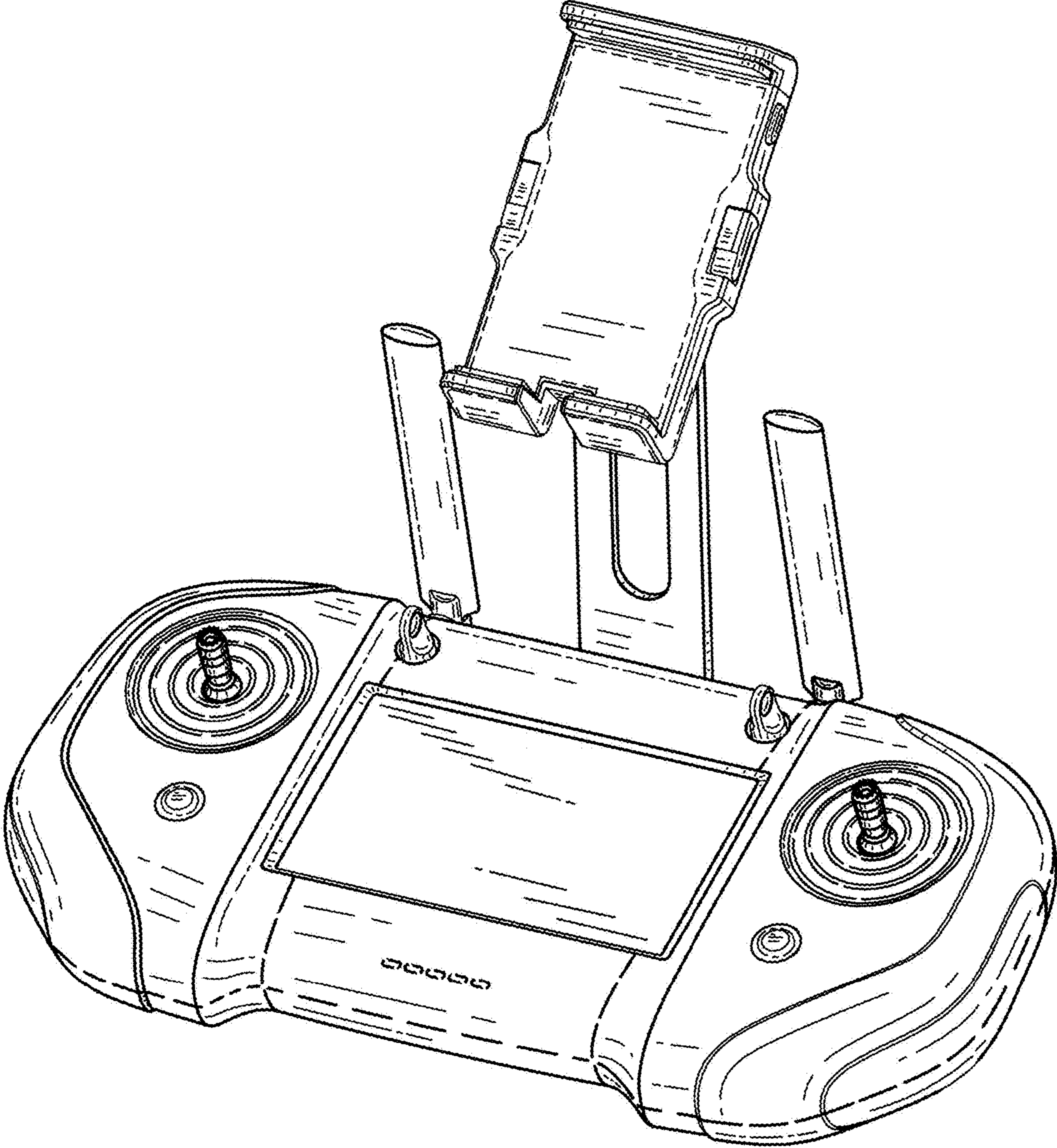


FIG.1

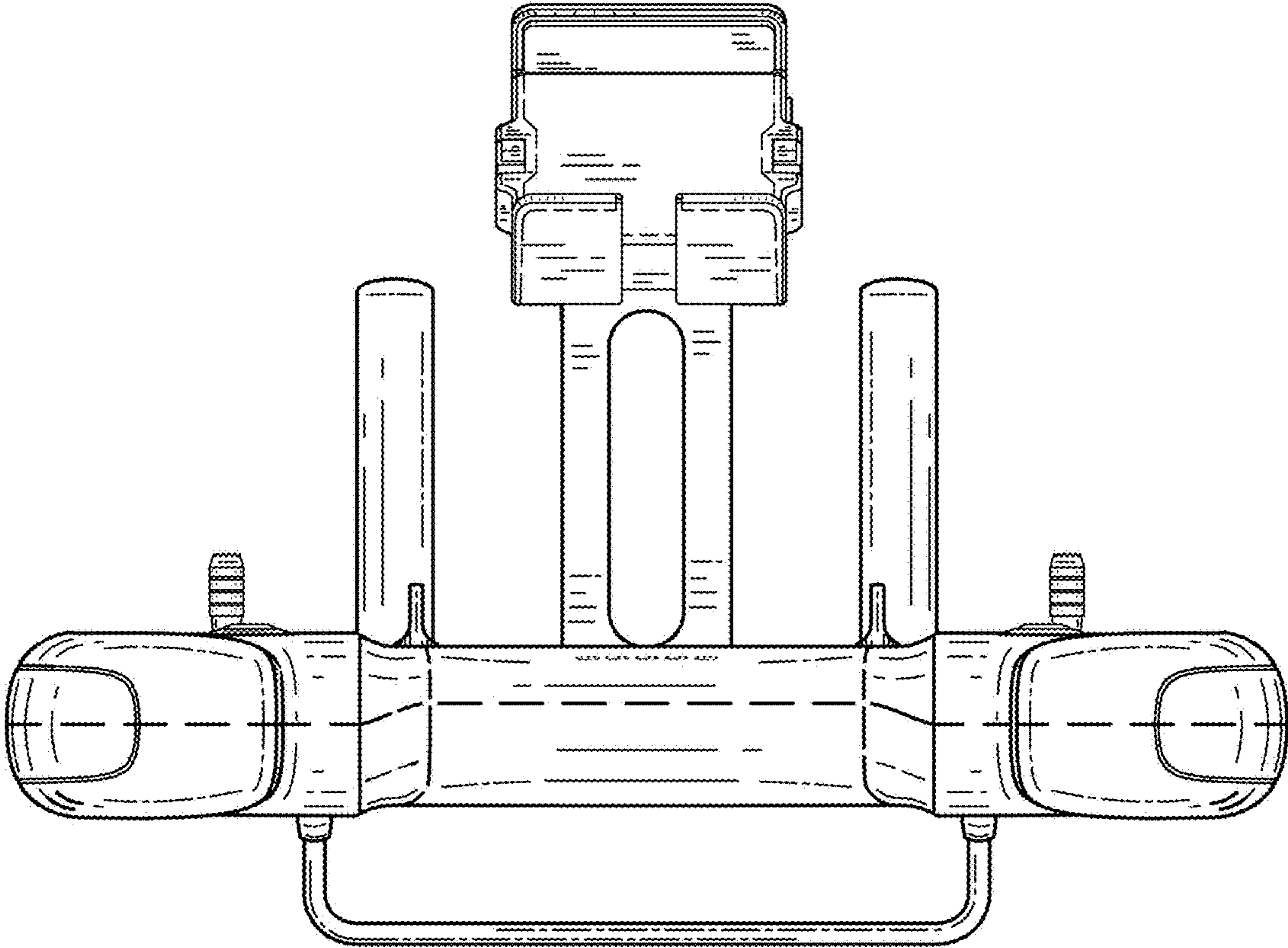


FIG.2



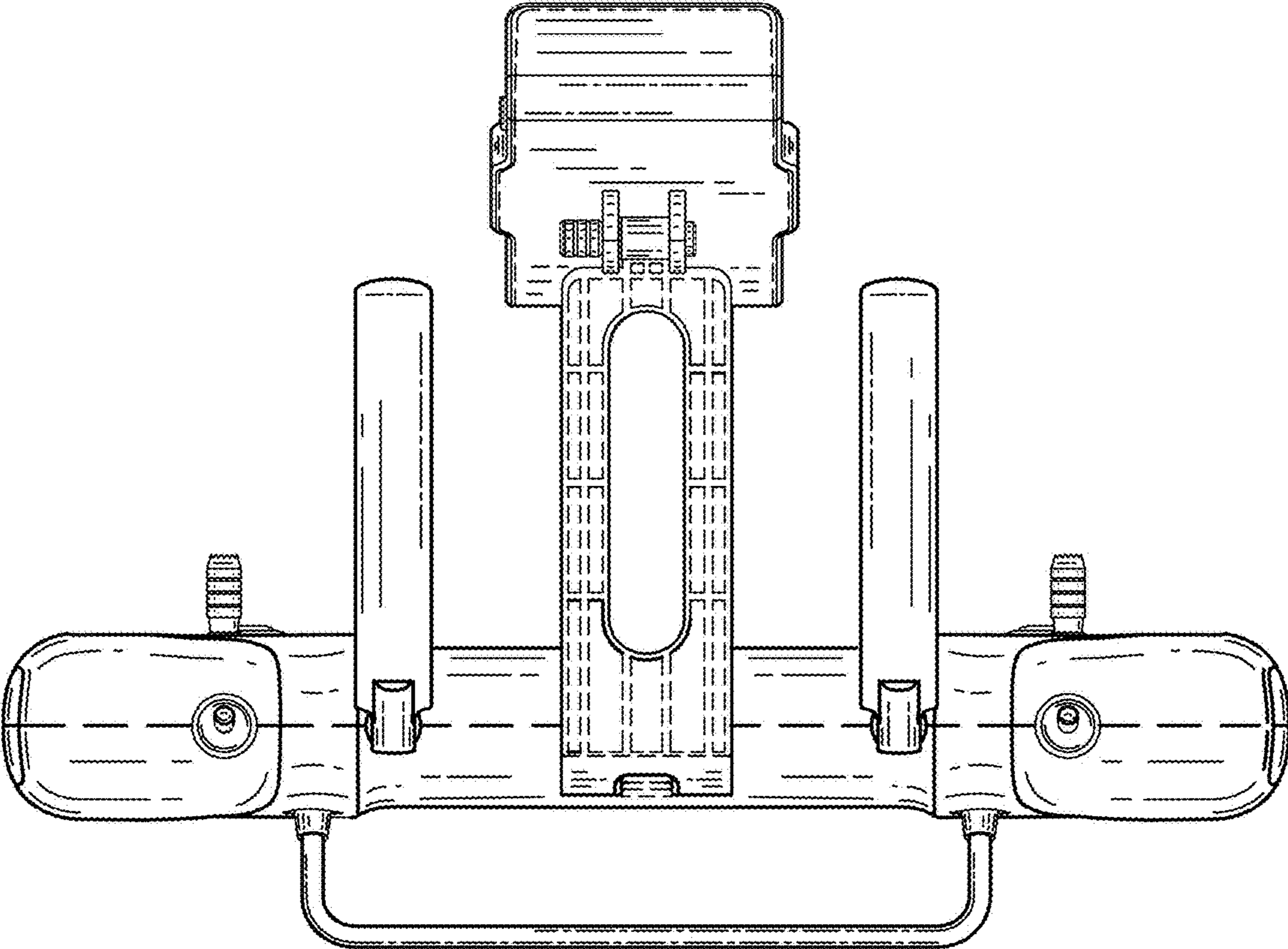


FIG.3

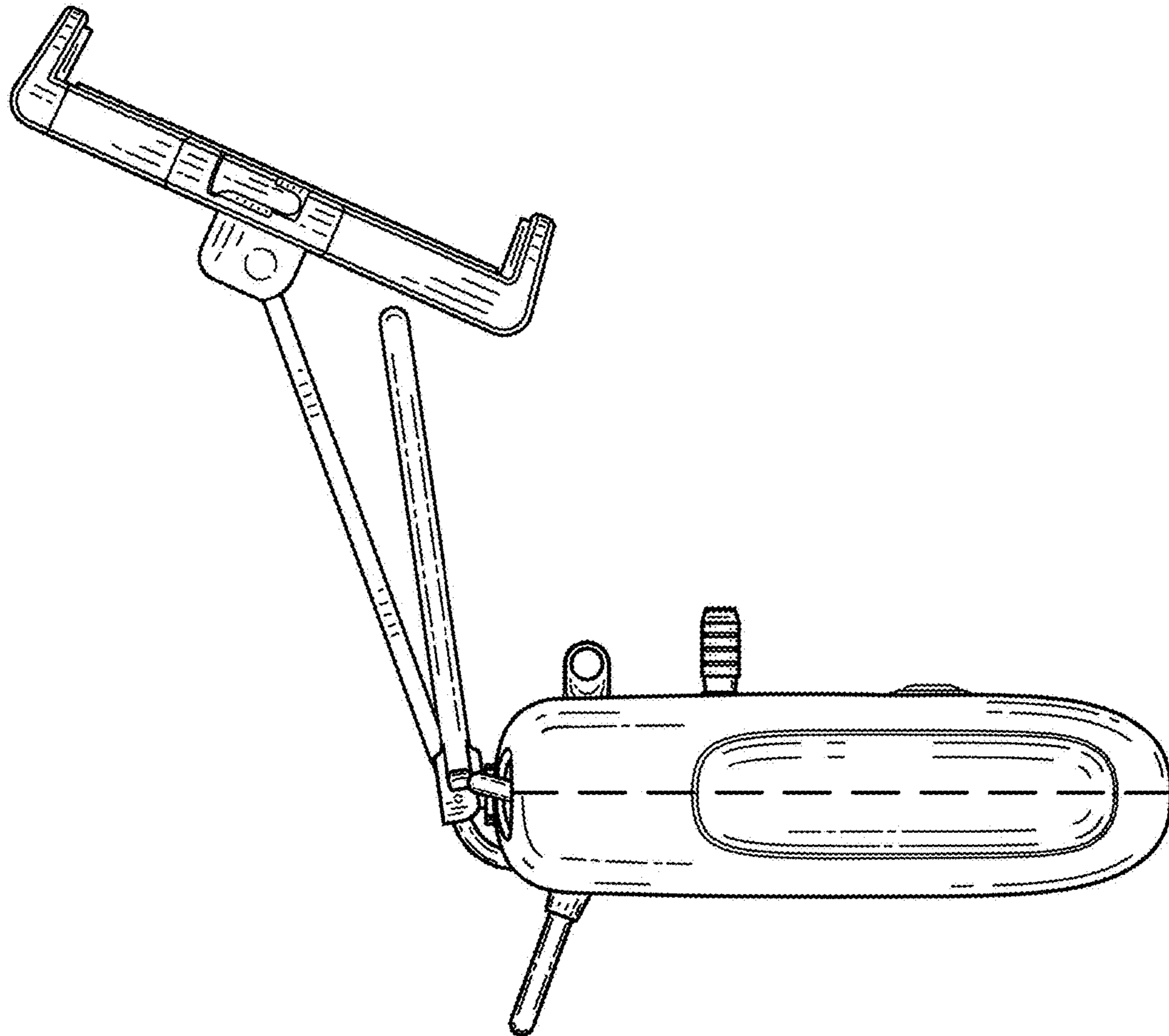


FIG.4

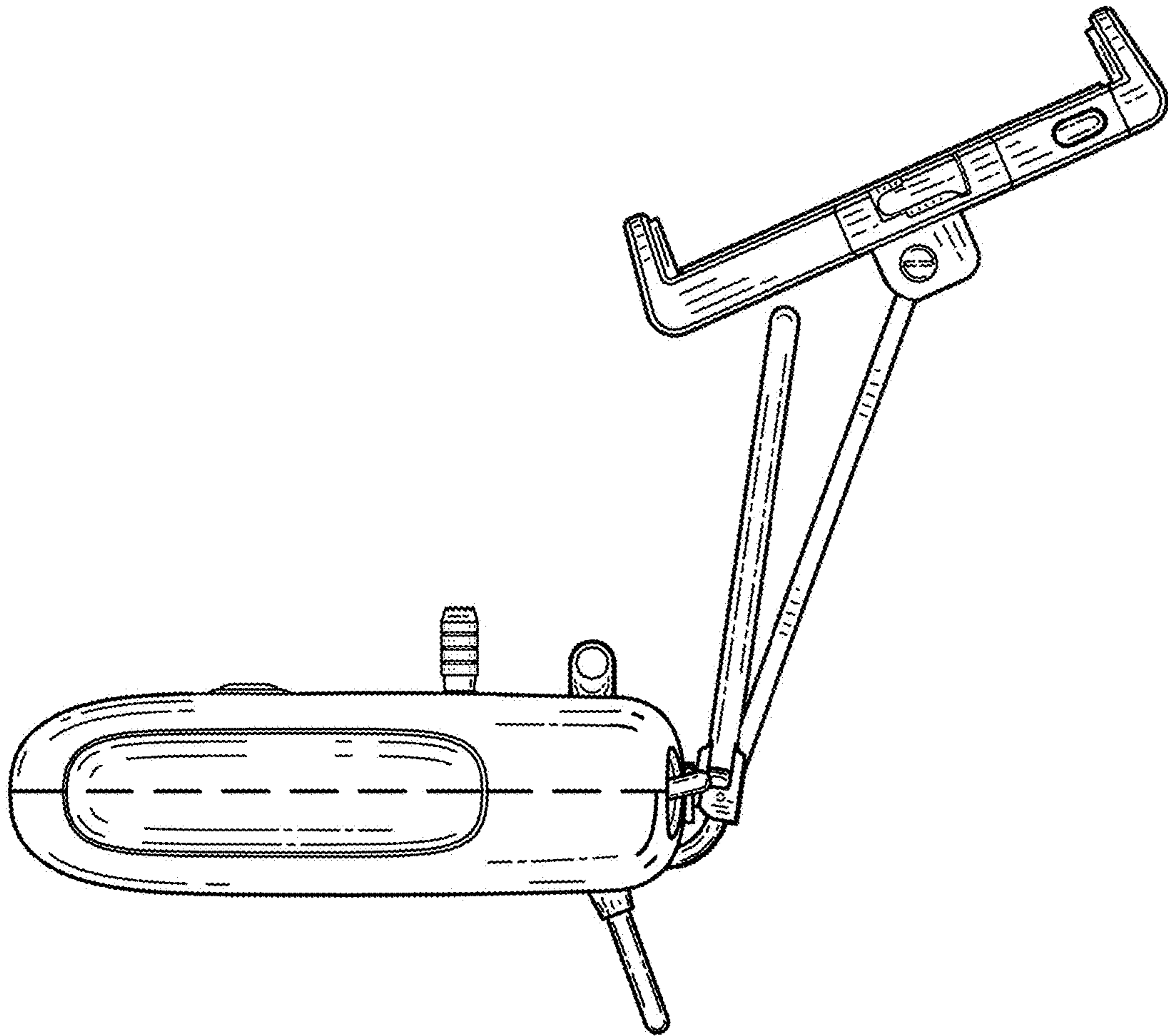


FIG.5

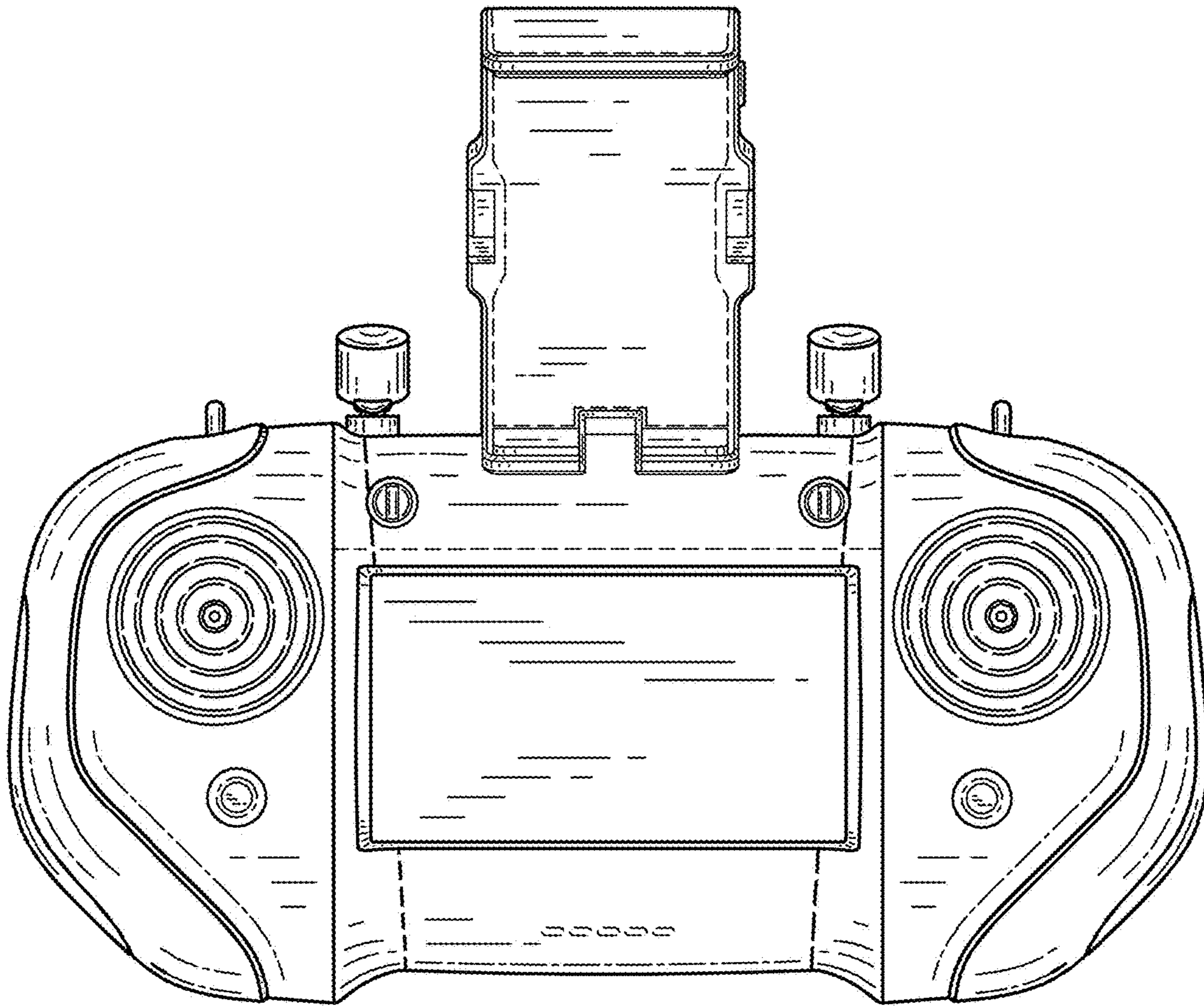


FIG.6

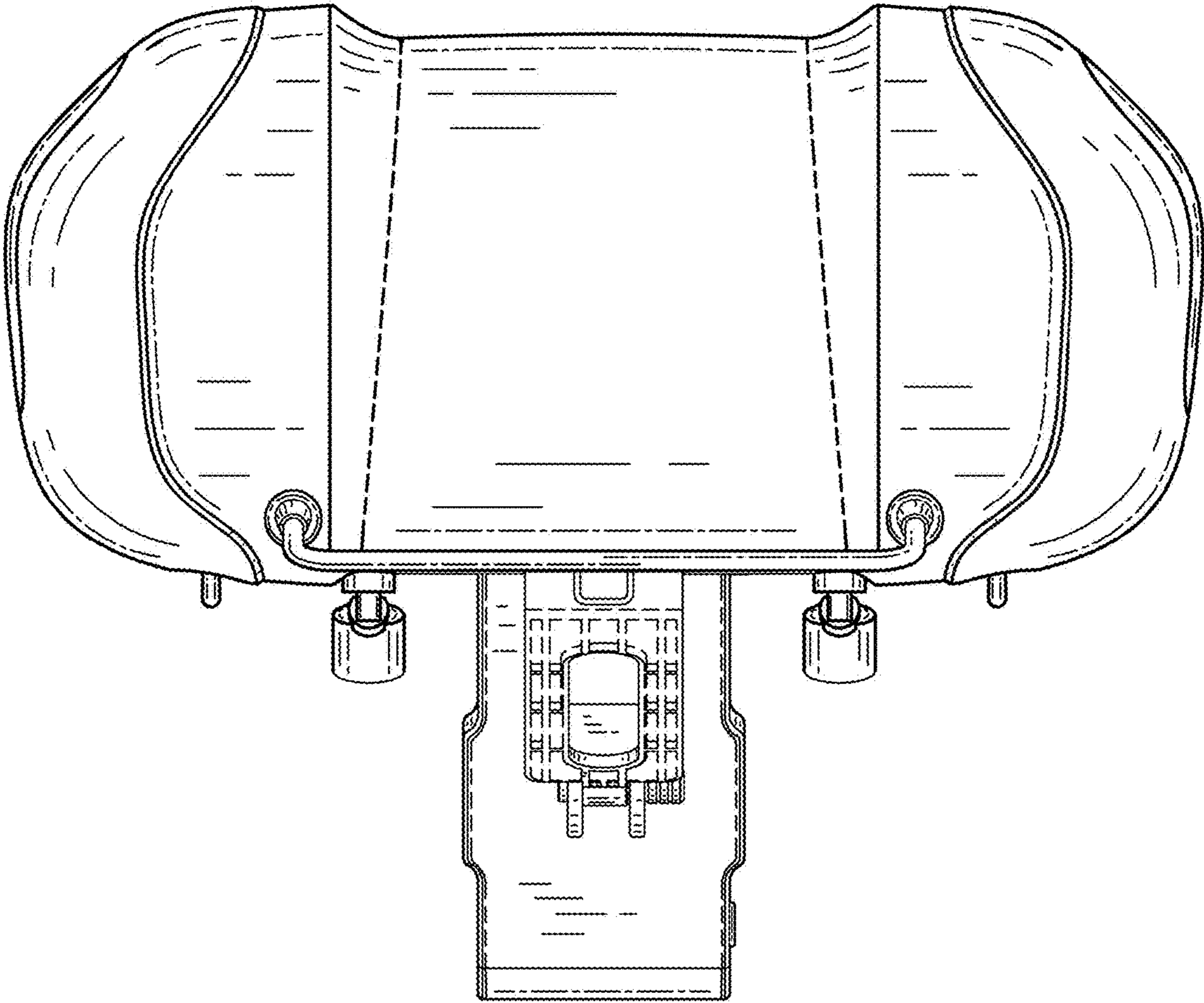


FIG.7