



US00D844714S

(12) **United States Design Patent**  
**Witze**

(10) **Patent No.:** **US D844,714 S**  
(45) **Date of Patent:** **\*\* Apr. 2, 2019**

(54) **DOUBLE-DECKER JIGSAW PUZZLE TABLE**

(71) Applicant: **Peter O. Witze**, Pleasanton, CA (US)

(72) Inventor: **Peter O. Witze**, Pleasanton, CA (US)

(\*\*) Term: **15 Years**

(21) Appl. No.: **29/656,896**

(22) Filed: **Jul. 17, 2018**

(51) **LOC (11) Cl.** ..... **21-01**

(52) **U.S. Cl.**  
USPC ..... **D21/480; D3/298**

(58) **Field of Classification Search**

USPC ..... D21/300, 312-323, 334-341, 349, 365,  
D21/392-394, 396, 397, 479-480;  
D3/20, 26, 201, 203.1-203.8, 206, 273,  
D3/274, 276, 280, 283, 284, 286, 288,  
D3/297, 298, 300, 302, 305, 900-905;  
D9/701, 711, 721, 737, 756, 759, 760,  
D9/414, 418, 432; D19/22, 102, 103,  
D19/106, 113, 59, 62, 75, 77, 78, 83, 86,  
D19/92; D6/300, 301, 663, 664, 667,  
D6/675, 675.1, 682, 682.1, 682.2, 683,  
D6/683.1, 686, 687, 691, 691.9, 704, 705,  
D6/706, 707.15, 707.18, 707.19, 512,  
D6/514, 406.3, 406.6, 407, 626-635;  
D27/172-175, 183, 186, 187, 189, 191;  
D28/64.1, 64.3, 73, 75, 77, 83;  
273/157 R, 156, 309; 206/315.1, 579;  
108/27, 28, 34, 38, 59-65, 91, 93, 143  
CPC ..... A63F 9/1044; A63F 2009/105; A63F  
2009/1083; A63F 2009/1088; A63F  
3/00173; A63F 3/0023; A63F  
2003/00255; A63F 2003/00324; A63F  
2003/00331; A63F 2003/00334; A63F  
2003/0035; A63F 2003/00353; A63F  
2003/00378; A63F 2003/00558; A63F  
2003/00943; A63F 2003/00946; A63F  
2003/00952; A63F 2003/00958; A63F  
2003/0096; A63F 2003/00965; A63F  
2003/0968; A63F 2003/00974; A63F  
2003/0099; A47B

(Continued)

(56) **References Cited**

U.S. PATENT DOCUMENTS

1,549,610 A \* 8/1925 Reisz ..... A63F 3/0023  
273/285  
1,987,496 A \* 1/1935 Springborn ..... A63F 9/1044  
273/157 R  
D97,441 S \* 11/1935 Scully ..... D9/432  
(Continued)

FOREIGN PATENT DOCUMENTS

GB 2210800 A \* 6/1989 ..... A63F 9/1044

*Primary Examiner* — Catherine A Tuttle

(74) *Attorney, Agent, or Firm* — Gerald R. Prettyman

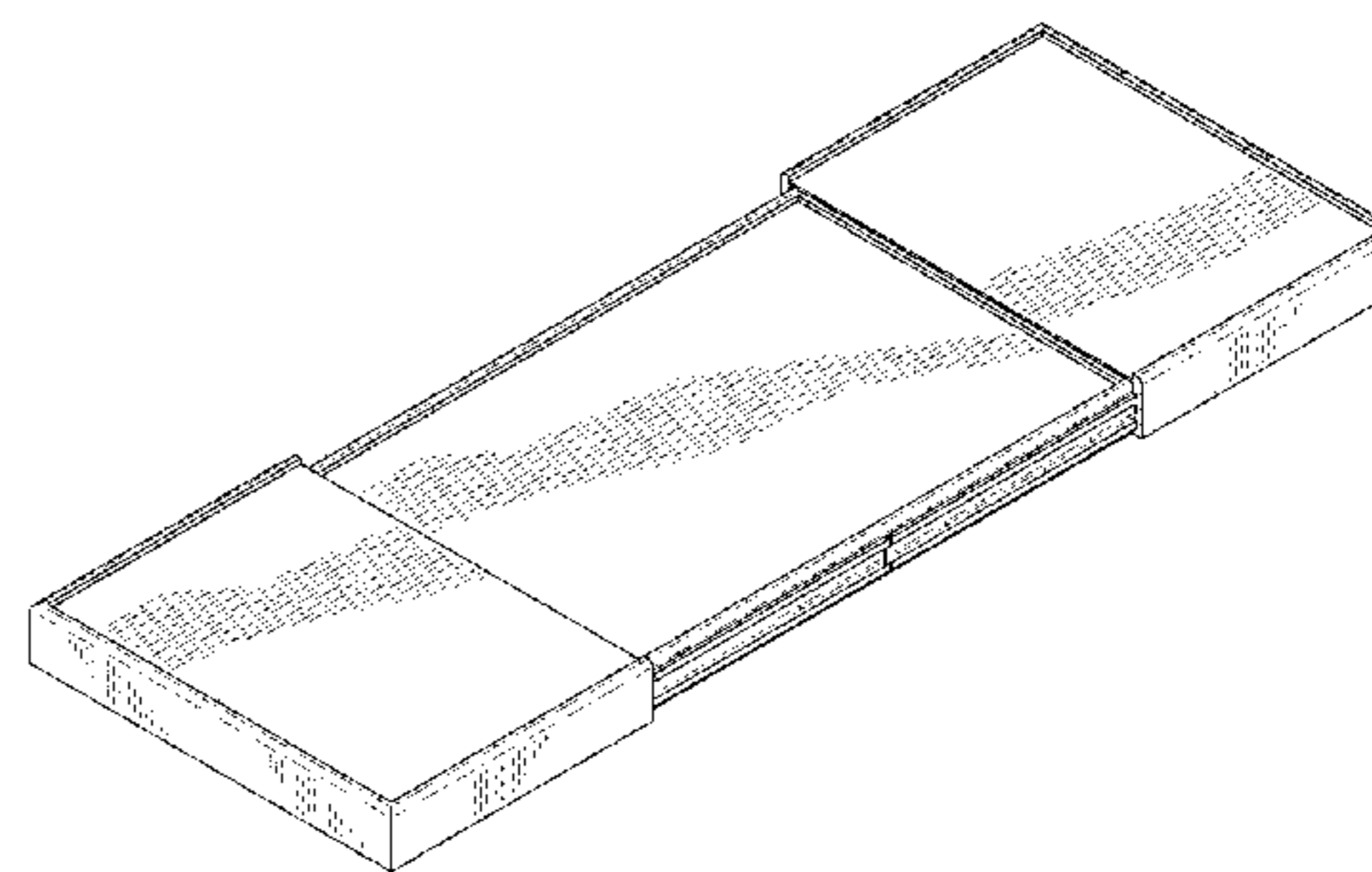
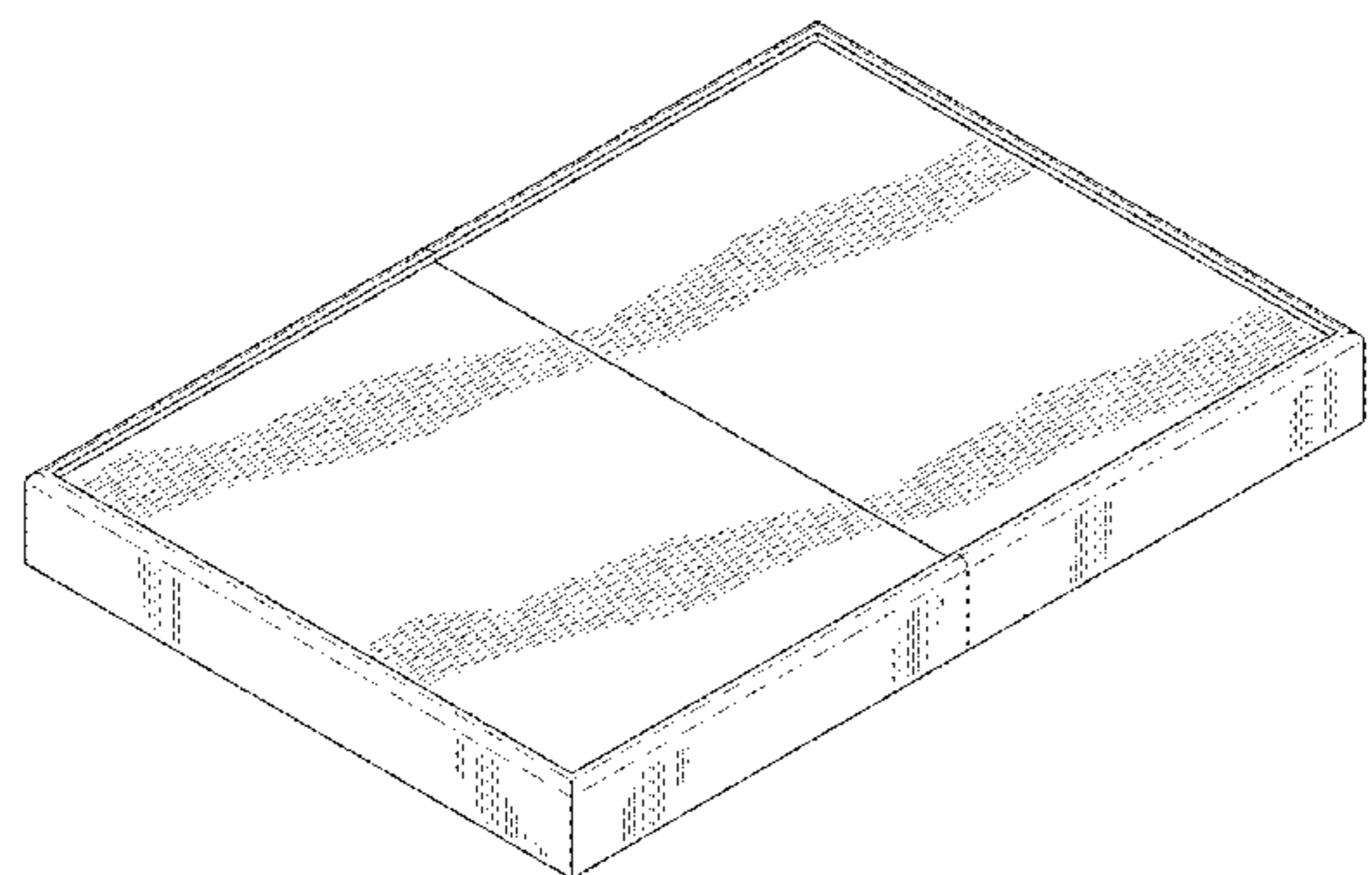
(57) **CLAIM**

The ornamental design for the double-decker jigsaw puzzle table, as shown and described.

**DESCRIPTION**

FIG. 1 is an all closed top perspective view showing my new design;  
FIG. 2 is an all closed left side elevation view thereof; to which the right side elevation view is a mirror image;  
FIG. 3 is an all closed front elevation view thereof; to which the the back elevation view is a mirror image;  
FIG. 4 is an all closed top plan view thereof;  
FIG. 5 is an all closed bottom plan view thereof;  
FIG. 6 is an all open top perspective view thereof;  
FIG. 7 is an all open left side elevation view thereof; to which the the right side elevation view is a mirror image;  
FIG. 8 is an all open front elevation view thereof; to which the back elevation view is a mirror image;  
FIG. 9 is an all open top plan view thereof;  
FIG. 10 is an all open bottom plan view thereof; and,  
FIG. 11 is an all open bottom perspective view thereof.

**1 Claim, 9 Drawing Sheets**



(58) **Field of Classification Search**

CPC ..... 23/00; A47B 23/002; A47B 23/06; A47B  
25/00

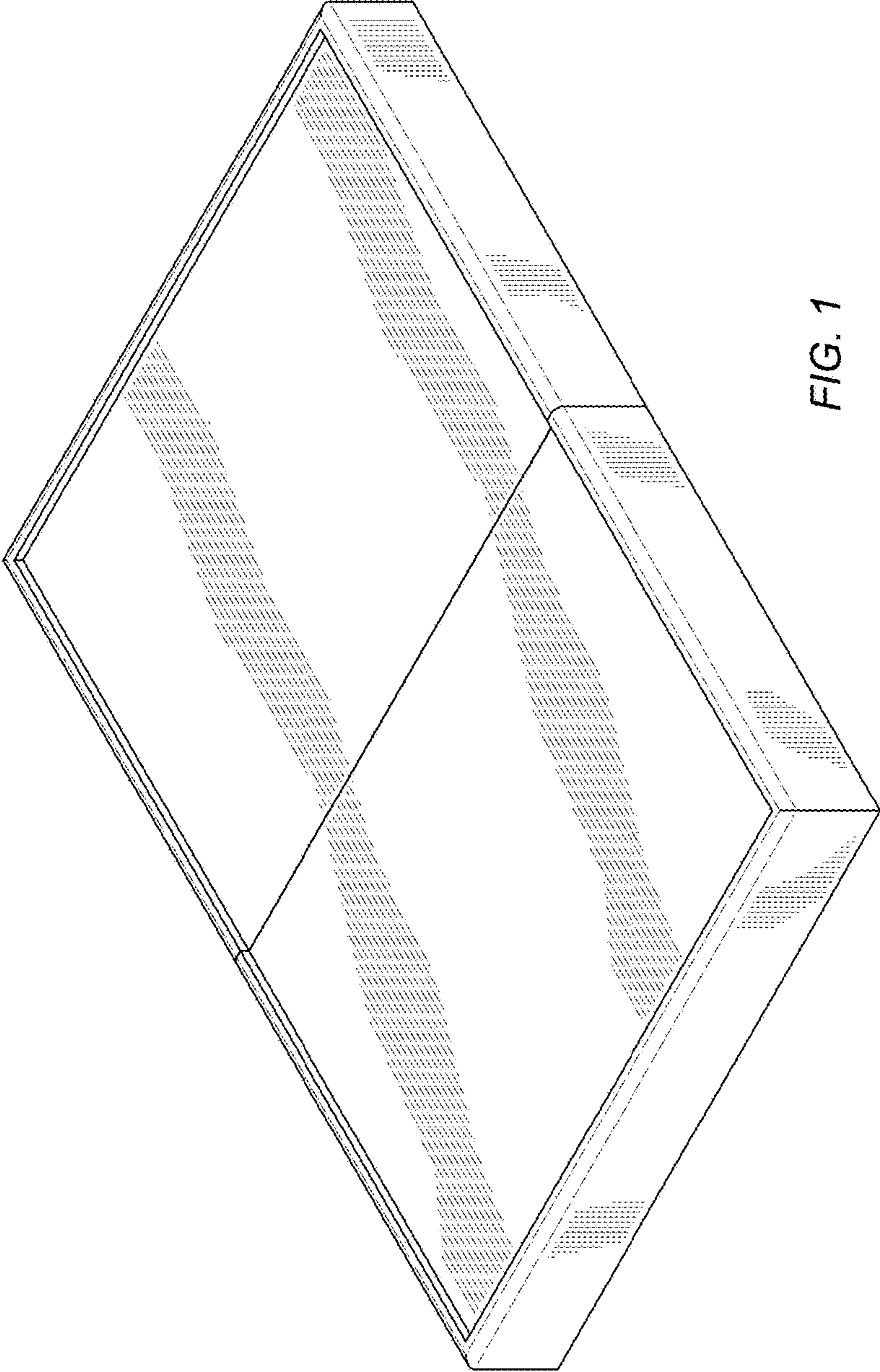
See application file for complete search history.

(56) **References Cited**

U.S. PATENT DOCUMENTS

D120,223 S \* 4/1940 Horsley ..... D21/394  
3,792,668 A \* 2/1974 Ward ..... A47B 1/00  
108/102  
D246,180 S \* 10/1977 Yamauchi ..... D19/113  
4,436,307 A \* 3/1984 Caldwell ..... A63F 9/1044  
206/315.1  
4,865,325 A \* 9/1989 Stolz ..... A63F 9/1044  
273/157 R  
4,875,688 A \* 10/1989 Whaley ..... A63F 3/00895  
273/285  
D317,329 S \* 6/1991 Annand ..... D21/480  
D393,761 S \* 4/1998 Hinton ..... D21/478  
D400,600 S \* 11/1998 Ackerman ..... D21/478  
D439,743 S \* 4/2001 DeVance ..... D3/297  
D588,373 S \* 3/2009 Rushton ..... D6/406.6  
D593,347 S \* 6/2009 Kilpatrick ..... D6/704  
7,552,821 B1 \* 6/2009 Demers ..... A63F 9/1044  
206/315.1  
D627,931 S \* 11/2010 Barresi ..... D28/83  
D630,452 S \* 1/2011 Robbins ..... D14/457  
D650,271 S \* 12/2011 Cluett ..... D9/432  
D715,868 S \* 10/2014 Moser ..... D21/397  
D772,623 S \* 11/2016 Lin ..... D6/691  
2007/0266911 A1 \* 11/2007 Lee ..... A47B 25/00  
108/64  
2009/0200199 A1 \* 8/2009 Biglands ..... A63F 9/10  
206/579

\* cited by examiner



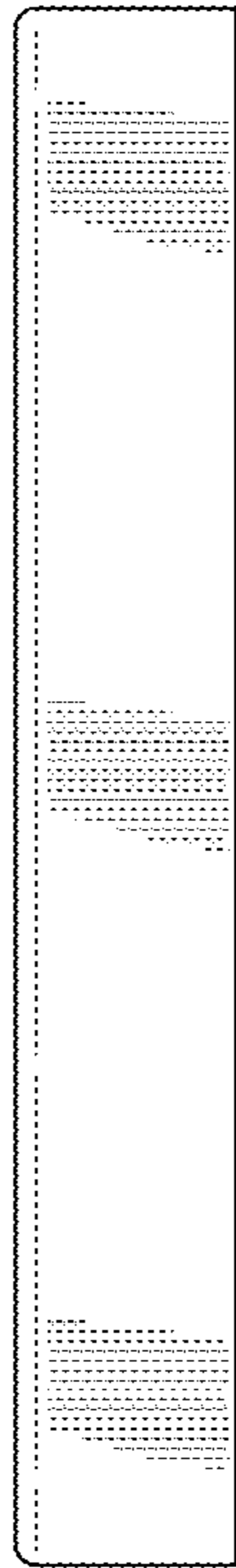


FIG. 2

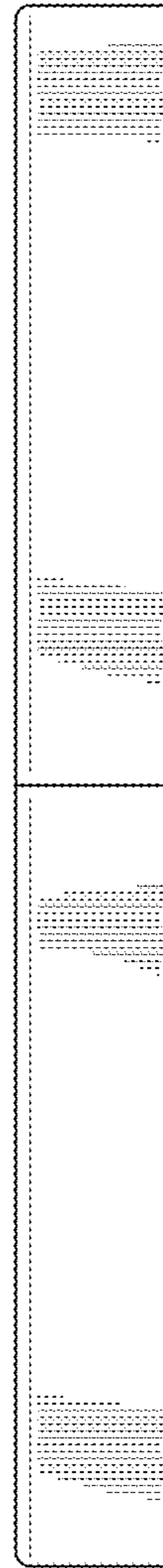


FIG. 3



FIG. 4



FIG. 5

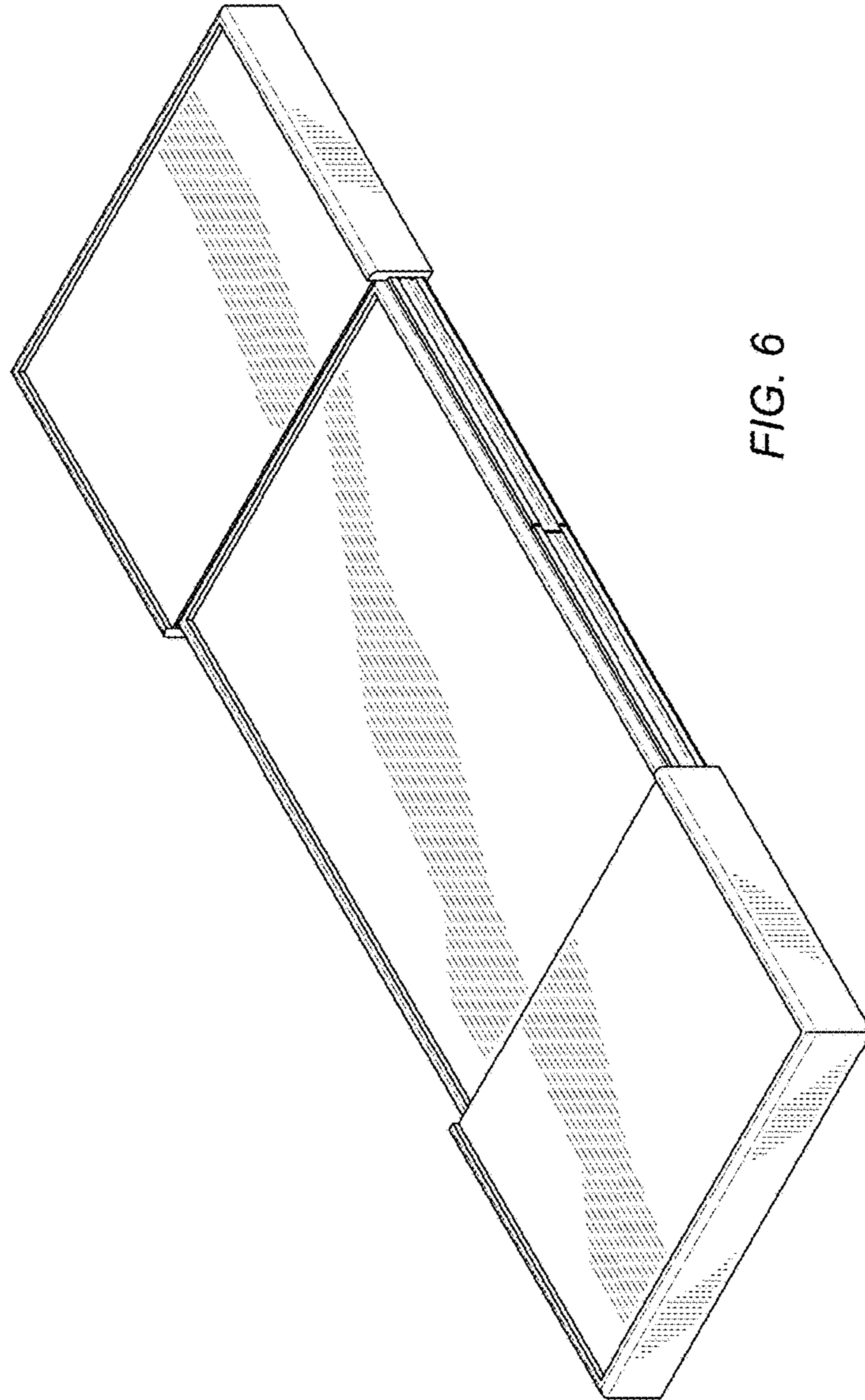


FIG. 6

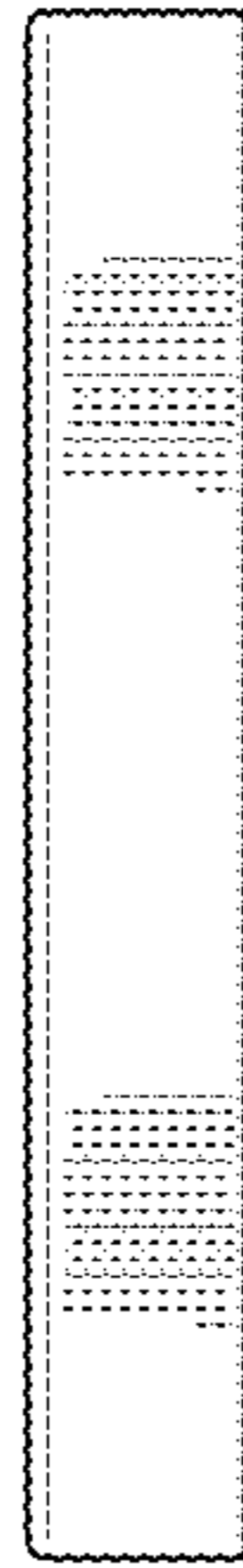


FIG. 7



FIG. 8



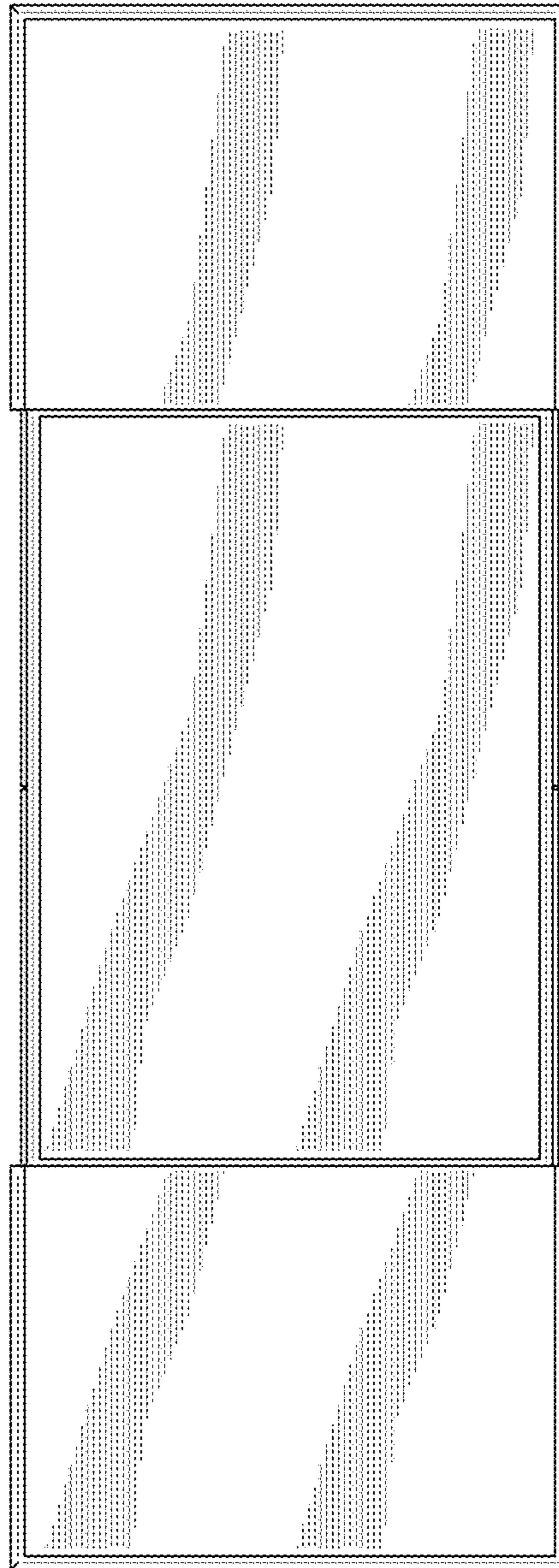


FIG. 9

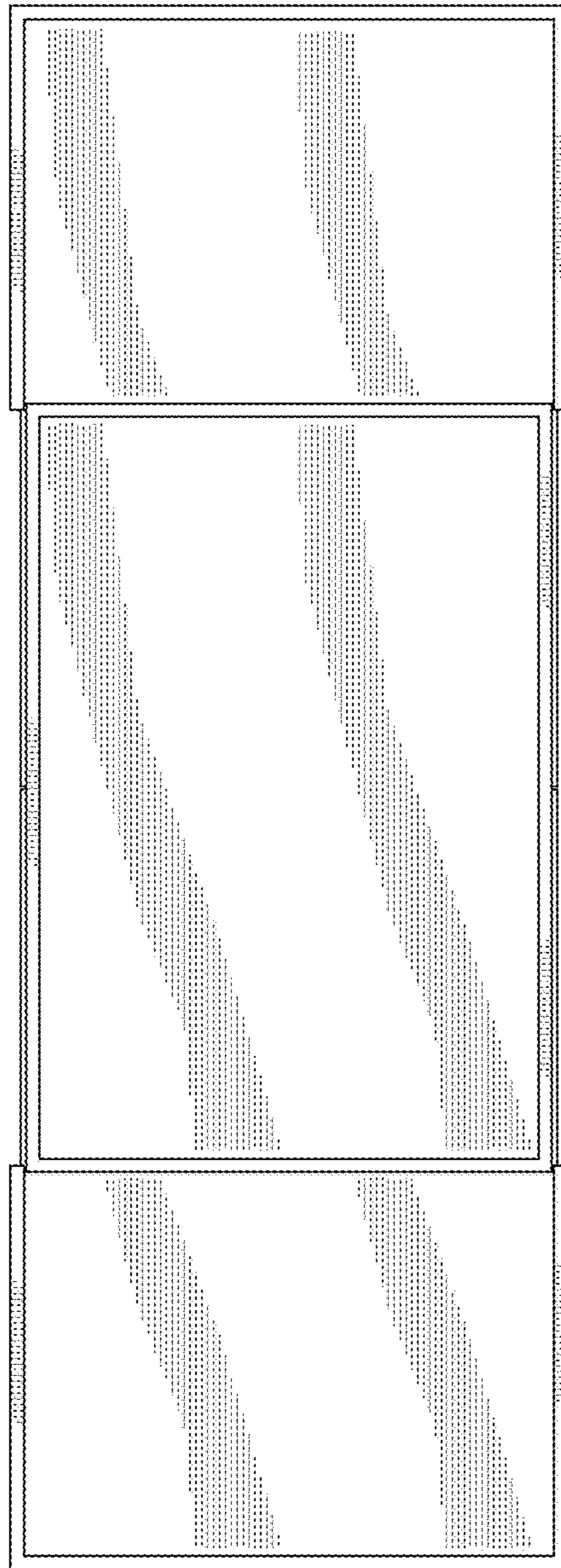


FIG. 10

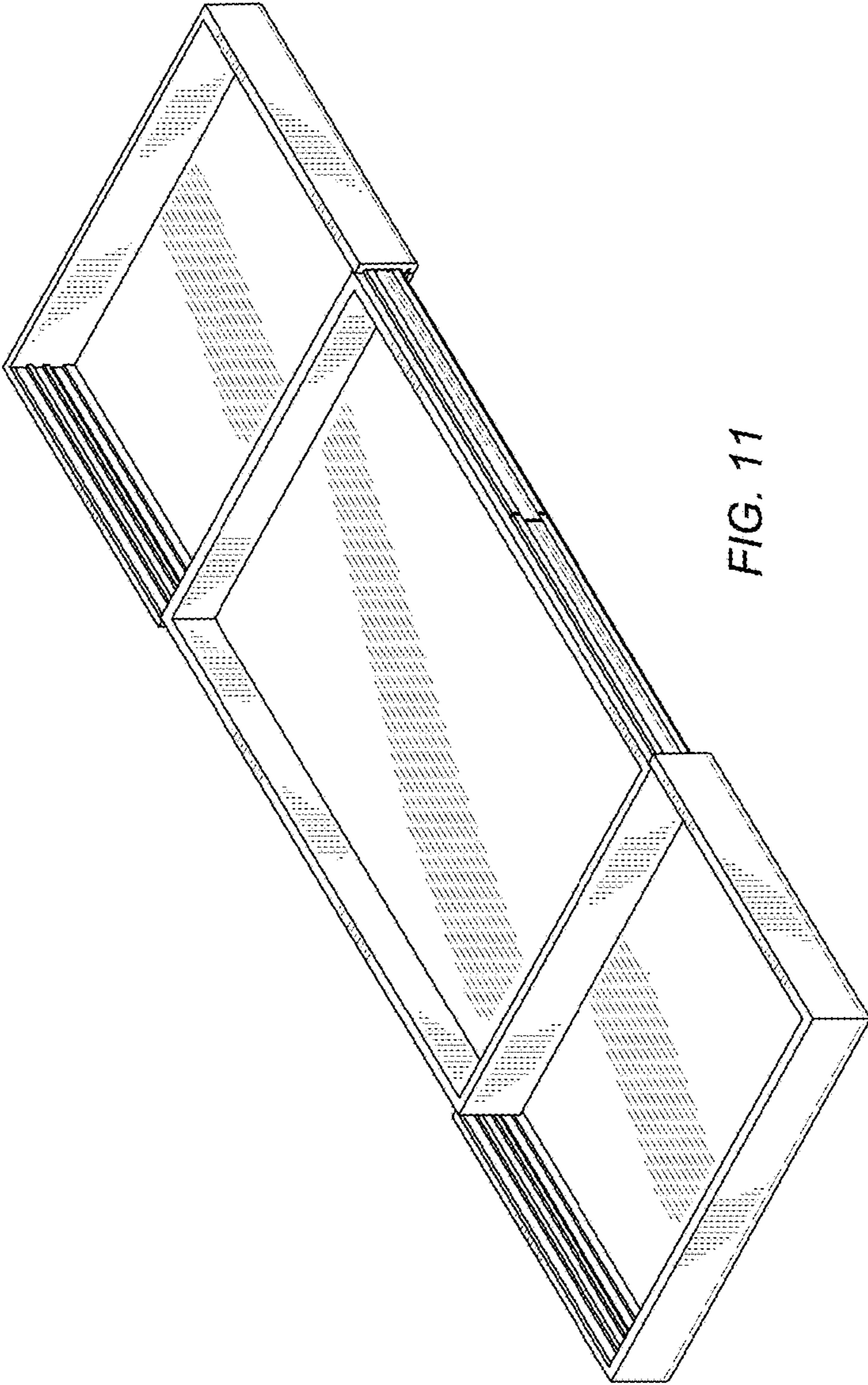


FIG. 11