



US00D844713S

(12) **United States Design Patent** (10) **Patent No.:** **US D844,713 S**
Tsai (45) **Date of Patent:** **** Apr. 2, 2019**

(54) **GAMING STRUCTURE SUPPORT LOCKING APPARATUS**

7,201,676 B2 4/2007 Rumfola, III
7,247,105 B2 7/2007 Huntsberger
7,988,120 B2 * 8/2011 Hsu B25H 1/04
108/131
D690,957 S * 10/2013 Weppelman D6/368
D724,856 S * 3/2015 Markoo D6/368

(71) Applicant: **Medal Sports (Taiwan) Corporation,**
Taipei (TW)

(72) Inventor: **Kevin Chunhao Tsai,** Kaohsiung (TW)

(73) Assignee: **Medal Sports (Taiwan) Corporation,**
Taipei (TW)

(**) Term: **15 Years**

(21) Appl. No.: **29/579,510**

(22) Filed: **Sep. 30, 2016**

Related U.S. Application Data

(63) Continuation-in-part of application No. 15/152,752,
filed on May 12, 2016.

(51) **LOC (11) Cl.** **21-01**

(52) **U.S. Cl.**
USPC **D21/397**

(58) **Field of Classification Search**
USPC D6/368; D21/397
CPC B25H 1/04; E04H 6/28
See application file for complete search history.

(56) **References Cited**

U.S. PATENT DOCUMENTS

4,219,295 A * 8/1980 Kuhner E04H 6/28
414/242
5,692,976 A 12/1997 Yu
6,056,652 A 5/2000 Lees et al.
6,224,504 B1 5/2001 Tien
6,565,460 B2 5/2003 Wang
6,929,569 B1 8/2005 Wang

OTHER PUBLICATIONS

U.S. Appl. No. 15/152,752, filed May 12, 2016, Tsai, Kevin C.

* cited by examiner

Primary Examiner — George D. Kirschbaum
(74) *Attorney, Agent, or Firm* — Honigman LLP

(57) **CLAIM**

The ornamental design for a gaming structure support locking apparatus, as shown and described herein.

DESCRIPTION

FIG. 1 illustrates a side-perspective view of a gaming structure with two support locking apparatuses, where the support locking apparatuses are in the locked state.

FIG. 2 illustrates an enlarged side perspective view of the two support locking apparatuses of the gaming structure of FIG. 1.

FIG. 3 illustrates an enlarged top-side perspective view of one of the support locking apparatuses thereof.

FIG. 4 illustrates an enlarged bottom-side perspective view of one of the support locking apparatuses thereof; and,

FIG. 5 illustrates an enlarged rear-side perspective view of one of the support locking apparatuses thereof.

Any broken lines in the drawings are for illustrative purposes only and form no part of the claimed design. Additionally, the gaming structure support locking apparatus is not limited to the scale shown herein.

1 Claim, 4 Drawing Sheets

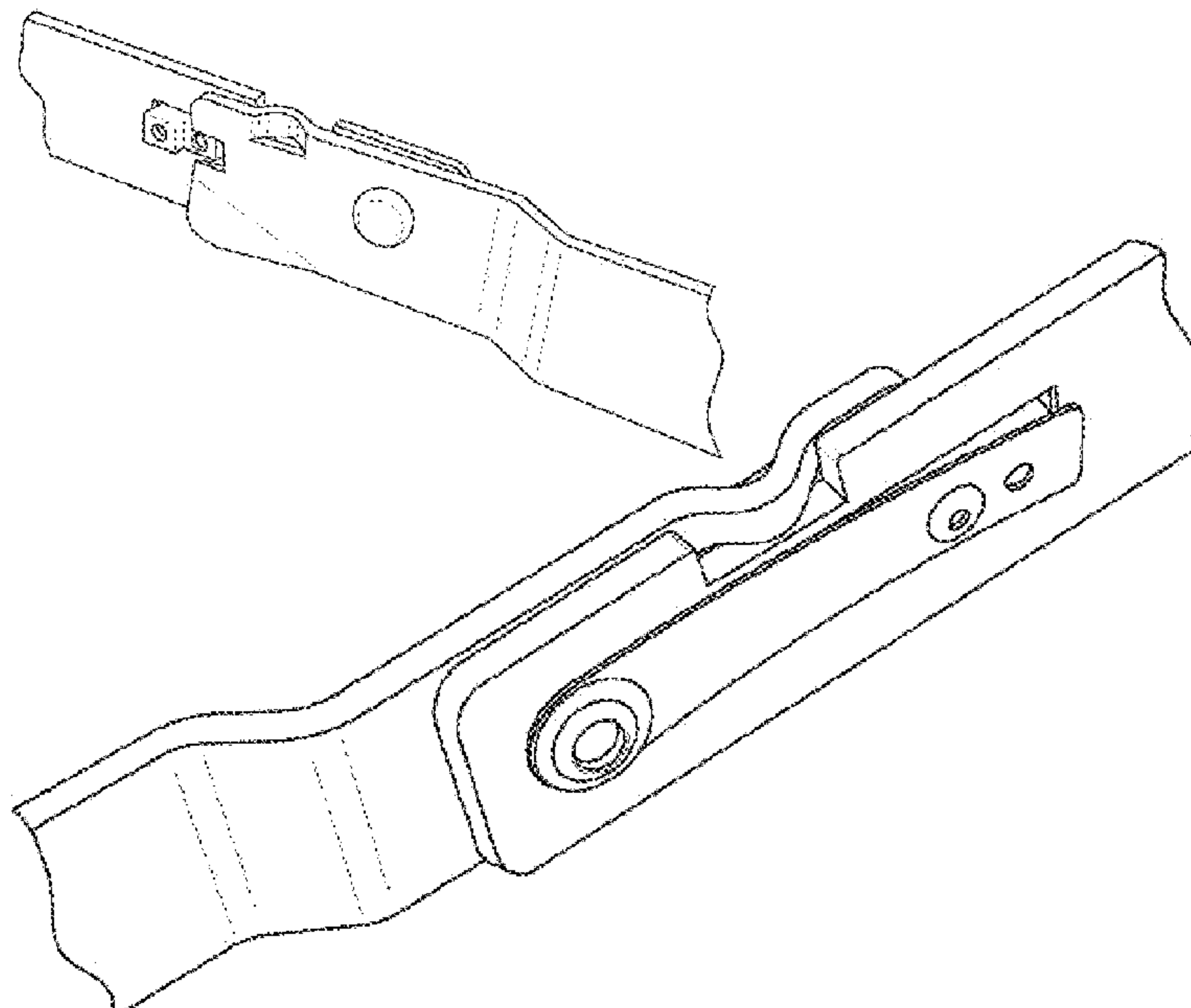




FIG. 1

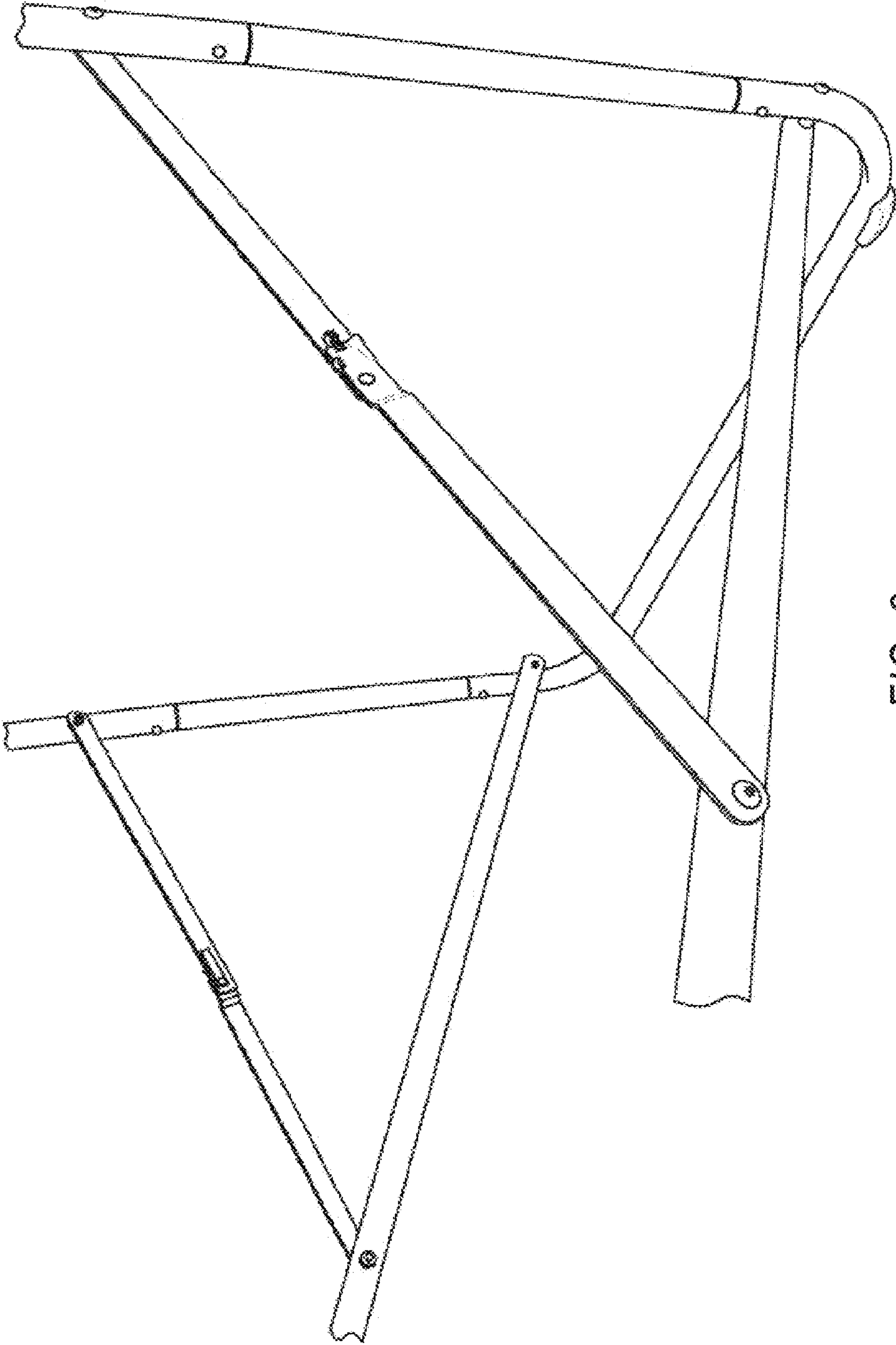


FIG. 2

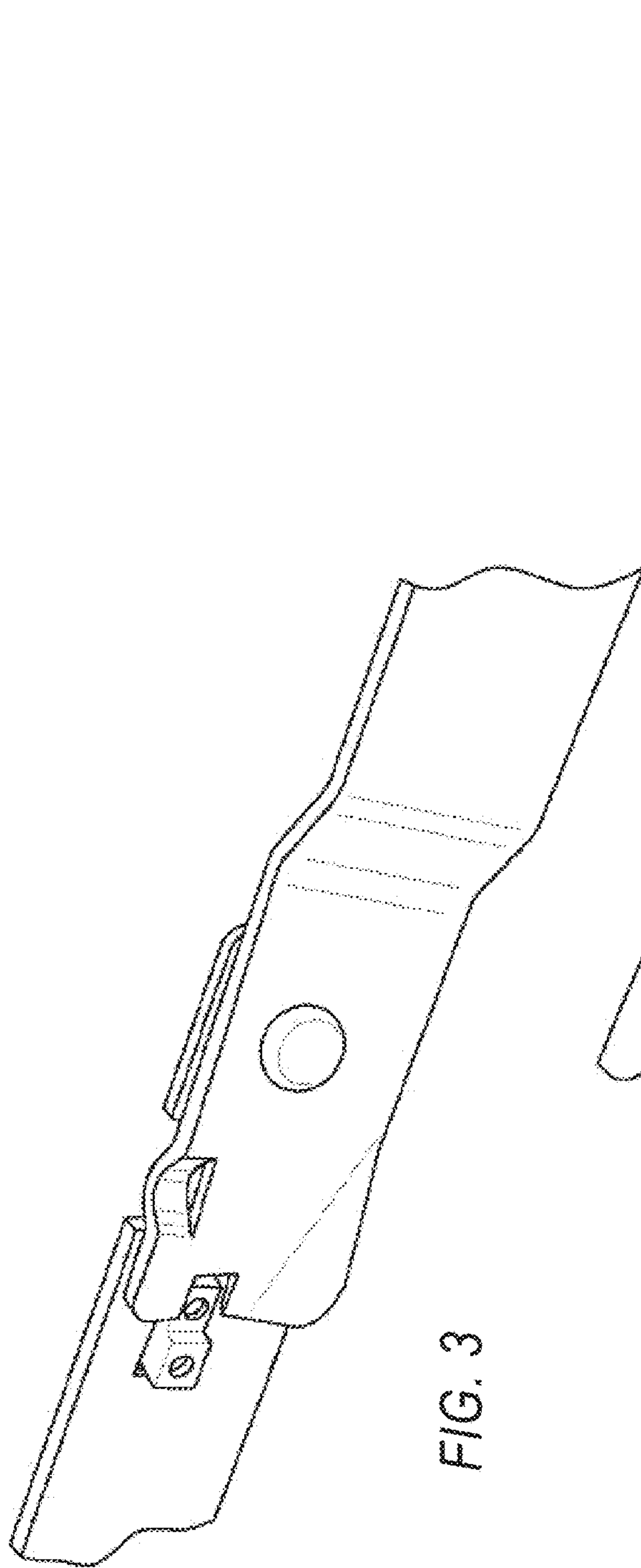


FIG. 3

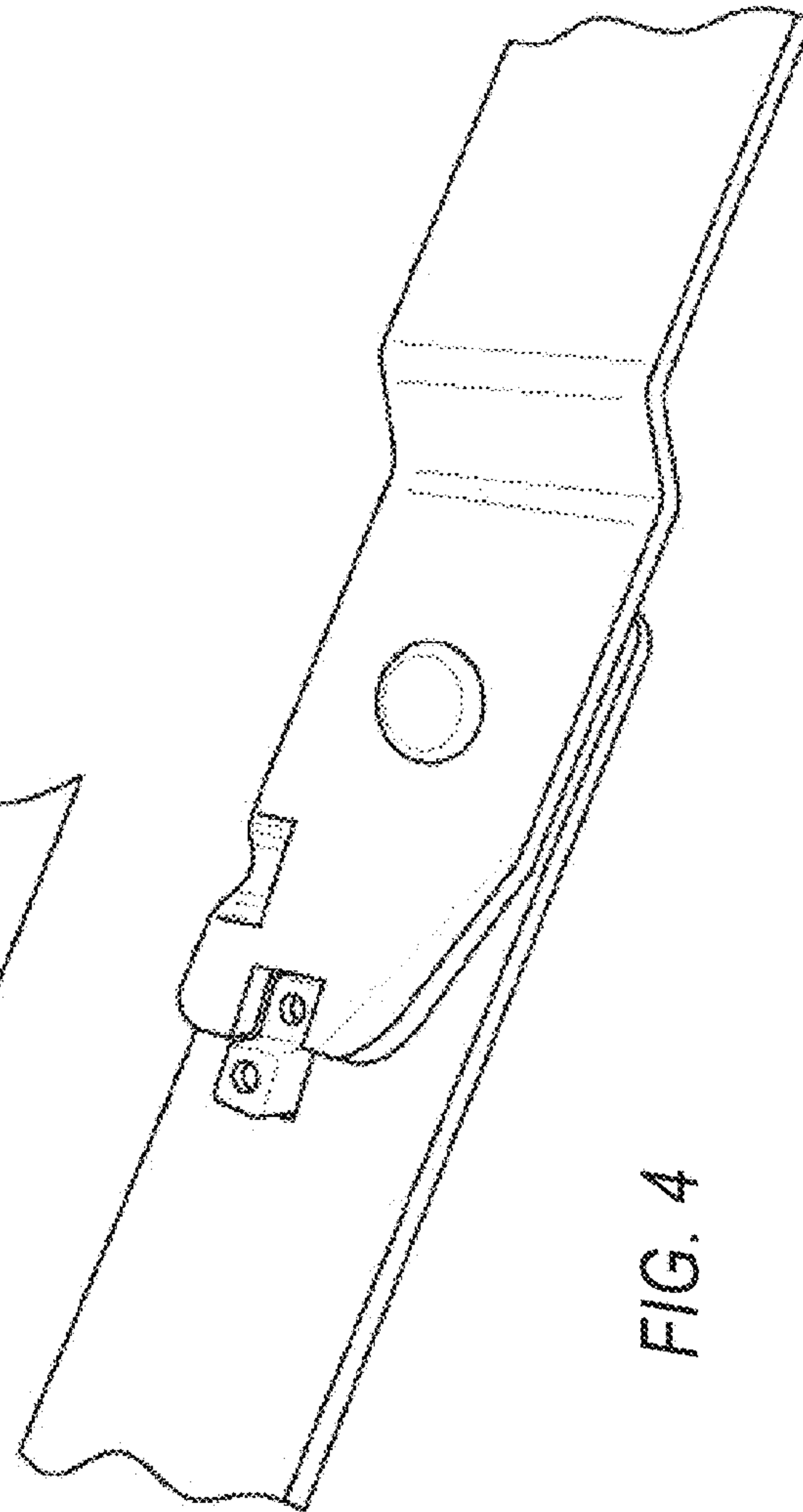


FIG. 4

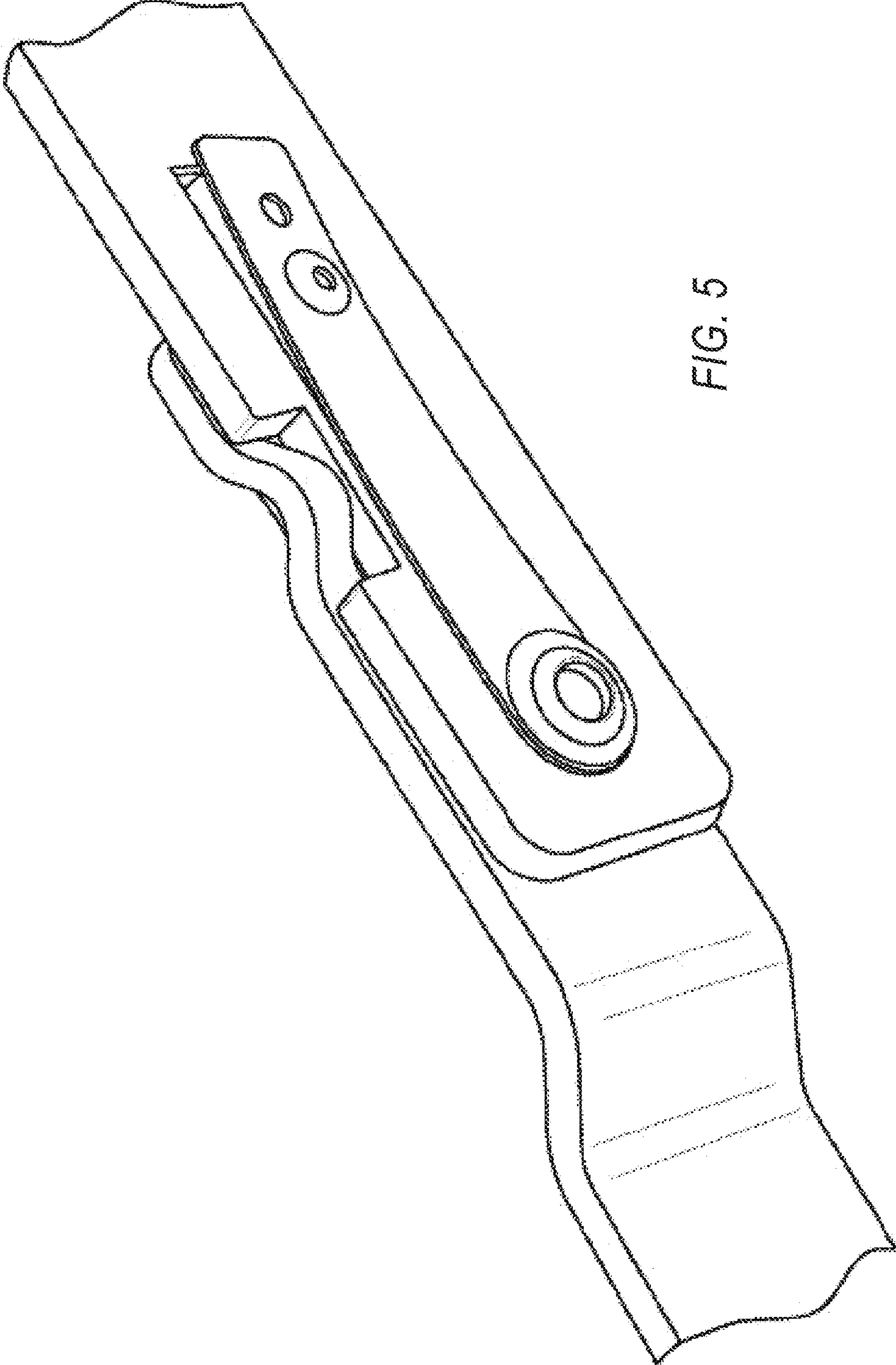


FIG. 5