



US00D844711S

(12) **United States Design Patent** (10) **Patent No.:** **US D844,711 S**
Weiss et al. (45) **Date of Patent:** **** Apr. 2, 2019**

- (54) **TOP BOX FOR A GAMING MACHINE**
- (71) Applicant: **AGS LLC**, Las Vegas, NV (US)
- (72) Inventors: **Steven A. Weiss**, Las Vegas, NV (US);
Tawana Dete, Las Vegas, NV (US);
Ryan Hansen, Las Vegas, NV (US)
- (73) Assignee: **AGS LLC**, Las Vegas, NV (US)
- (**) Term: **15 Years**
- (21) Appl. No.: **29/616,606**
- (22) Filed: **Sep. 7, 2017**

- D455,792 S 4/2002 Isetani et al.
- D460,123 S 7/2002 Seelig et al.
- D470,895 S 2/2003 Cole
- D487,582 S 3/2004 McGahn et al.
- D499,638 S * 12/2004 Marietta D22/112
- D510,752 S 10/2005 Baerlocher
- D519,571 S 4/2006 Myers
- D521,077 S 5/2006 Myers
- D523,908 S 6/2006 Hedrick et al.
- D529,965 S 10/2006 Hedrick et al.
- D568,115 S 5/2008 Trogerman
- D591,360 S 4/2009 Fiore
- D624,604 S 9/2010 Wudtke

(Continued)

Primary Examiner — Sandra L Morris
(74) *Attorney, Agent, or Firm* — Weide & Miller, Ltd.

Related U.S. Application Data

- (62) Division of application No. 29/547,676, filed on Dec. 7, 2015, now Pat. No. Des. 798,389, which is a division of application No. 29/503,584, filed on Sep. 26, 2014, now Pat. No. Des. 745,093.
- (51) **LOC (11) Cl.** **21-03**
- (52) **U.S. Cl.**
USPC **D21/370**; D21/385
- (58) **Field of Classification Search**
USPC D21/325, 329, 331, 354, 369–375;
D14/302, 304–307; 273/156, 268, 274;
463/17, 20, 46–47; D22/122
CPC .. G07F 17/32; G07F 17/3211; G07F 17/3216;
G07F 17/332; G07F 17/3272–17/3283
See application file for complete search history.

References Cited

U.S. PATENT DOCUMENTS

- 1,770,921 A * 7/1930 Hitt F42B 4/24
102/360
- D281,591 S * 12/1985 Hikiss D22/112
- 4,699,382 A 10/1987 Kabana
- D421,631 S 3/2000 Tsuda

(57) **CLAIM**

The ornamental design for a top box for a gaming machine, as shown and described.

DESCRIPTION

FIG. 1 is a front isometric view of a top box for a gaming machine in accordance with a first embodiment of the present invention;

FIG. 2 is a plan view of the top of the top box for a gaming machine illustrated in FIG. 1;

FIG. 3 is a plan view of the front of the top box for a gaming machine illustrated in FIG. 1;

FIG. 4 is a plan view of the first side of the top box for a gaming machine illustrated in FIG. 1;

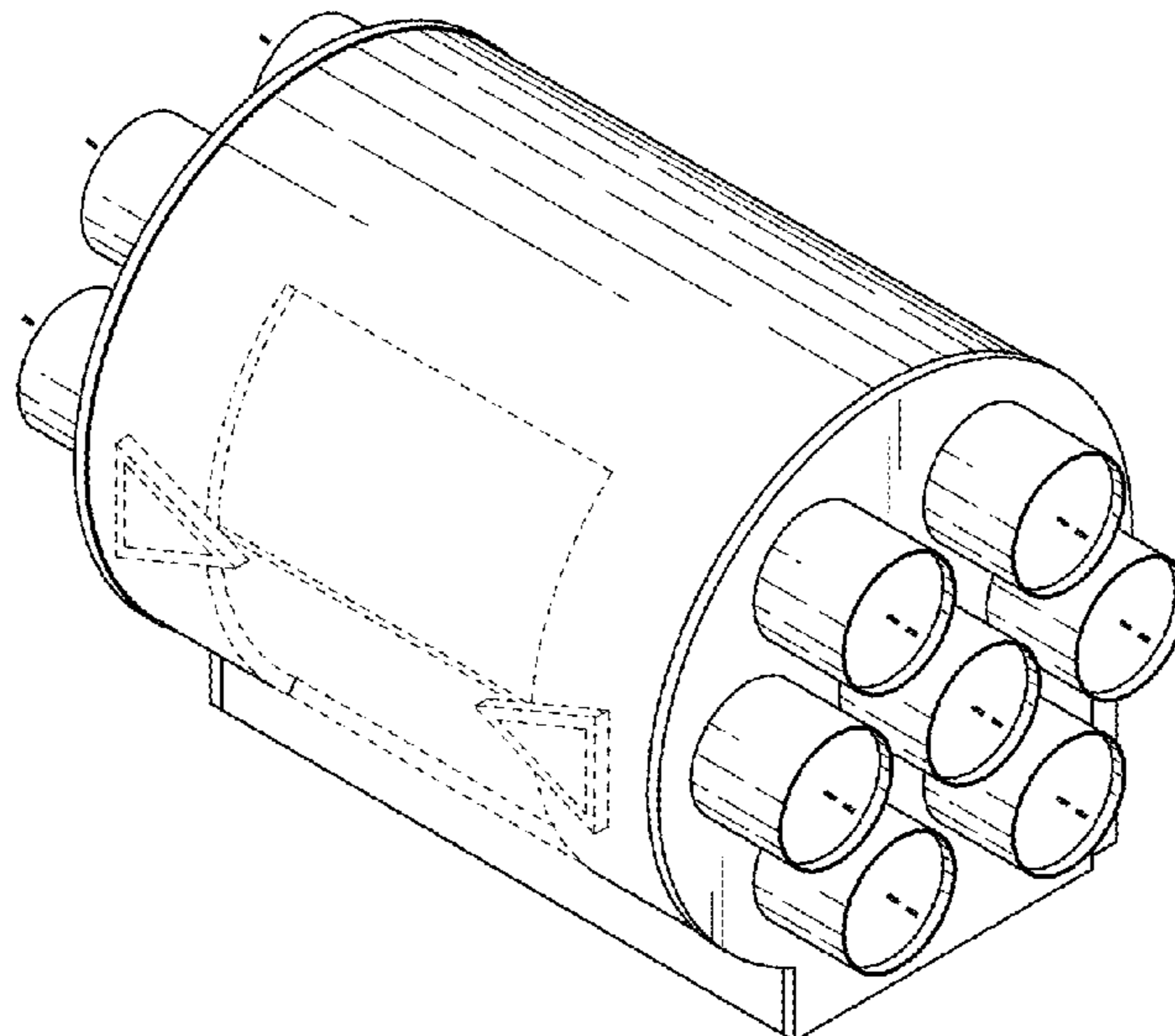
FIG. 5 is a plan view of the second side of the top box for a gaming machine illustrated in FIG. 1;

FIG. 6 is a plan view of the back of the top box for a gaming machine illustrated in FIG. 1; and,

FIG. 7 is a plan view of the bottom of the top box for a gaming machine illustrated in FIG. 1.

The portions of the design shown in dotted line are for reference only and form no portion of the claimed design.

1 Claim, 2 Drawing Sheets



(56)

References Cited

U.S. PATENT DOCUMENTS

8,382,110 B2 2/2013 Smith
D745,093 S 12/2015 Weiss et al.

* cited by examiner

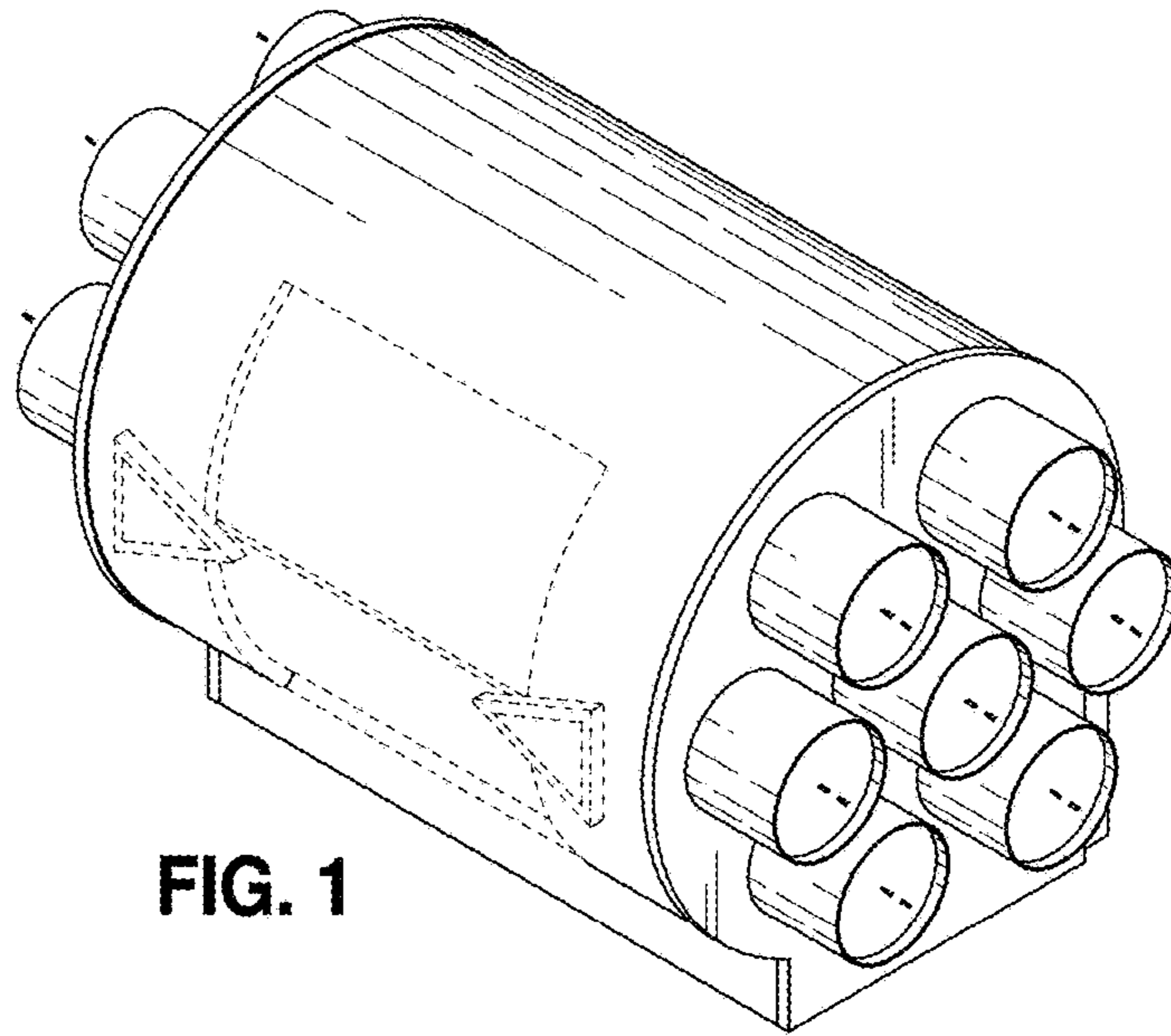


FIG. 1

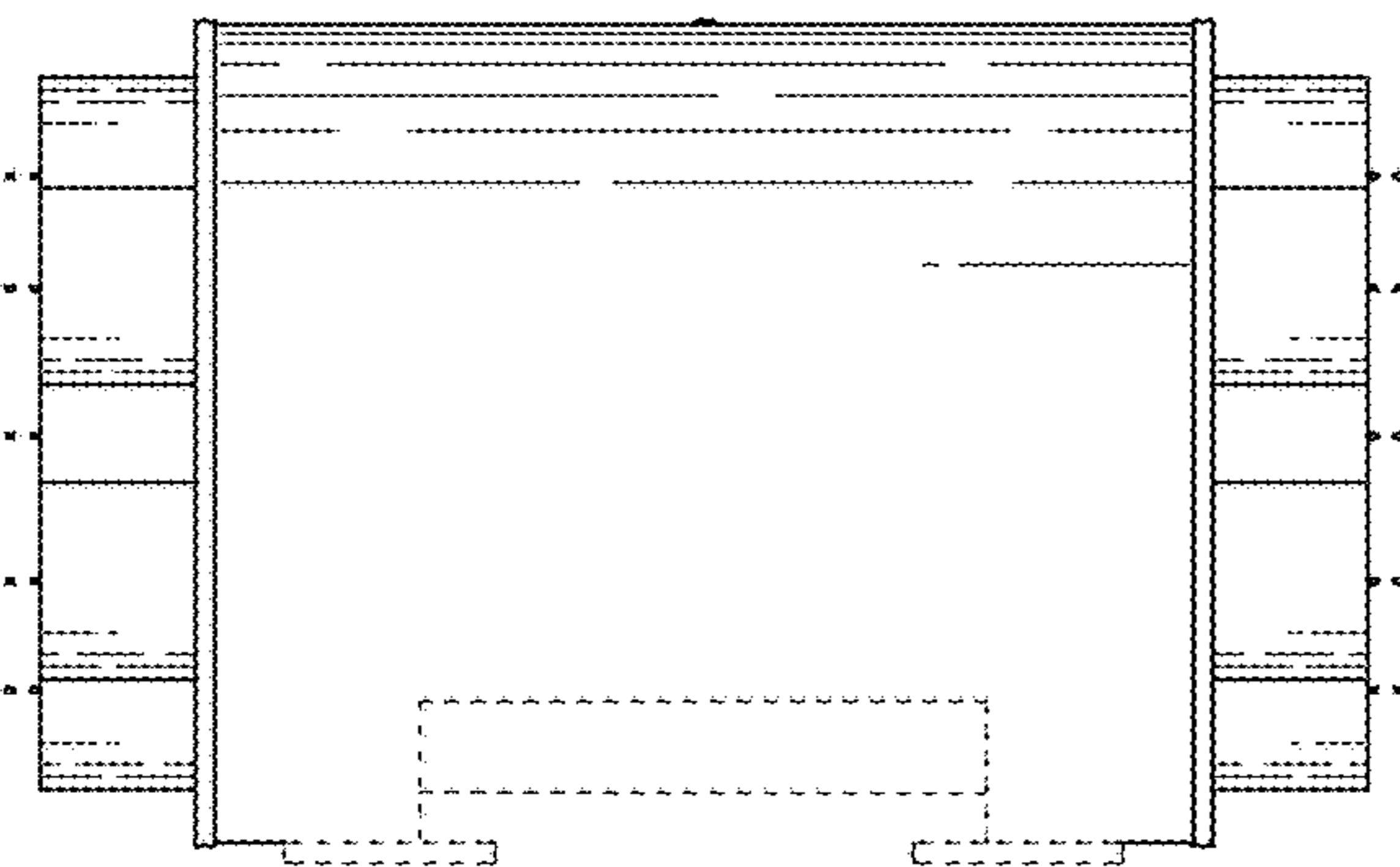


FIG. 2

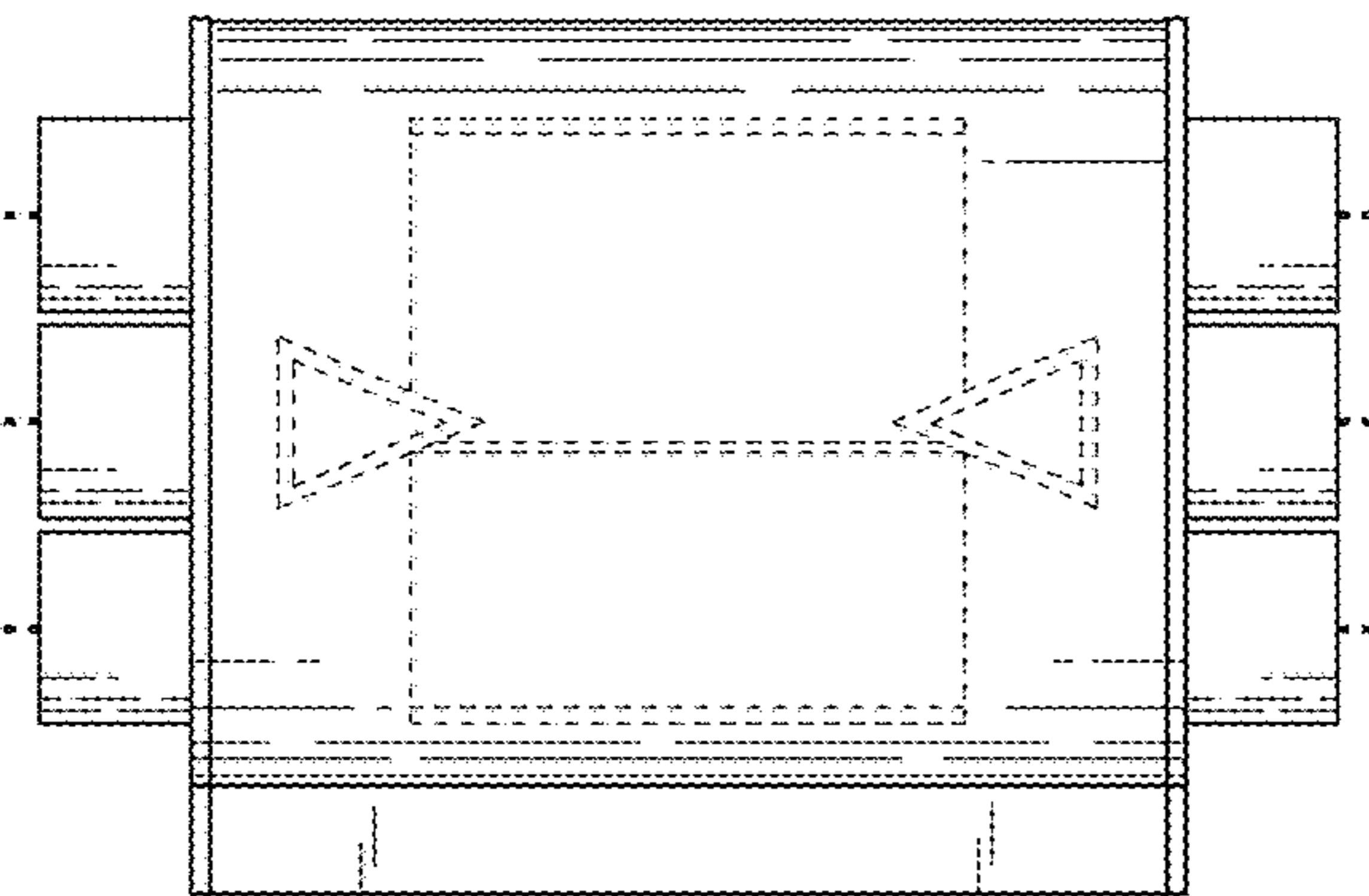


FIG. 3

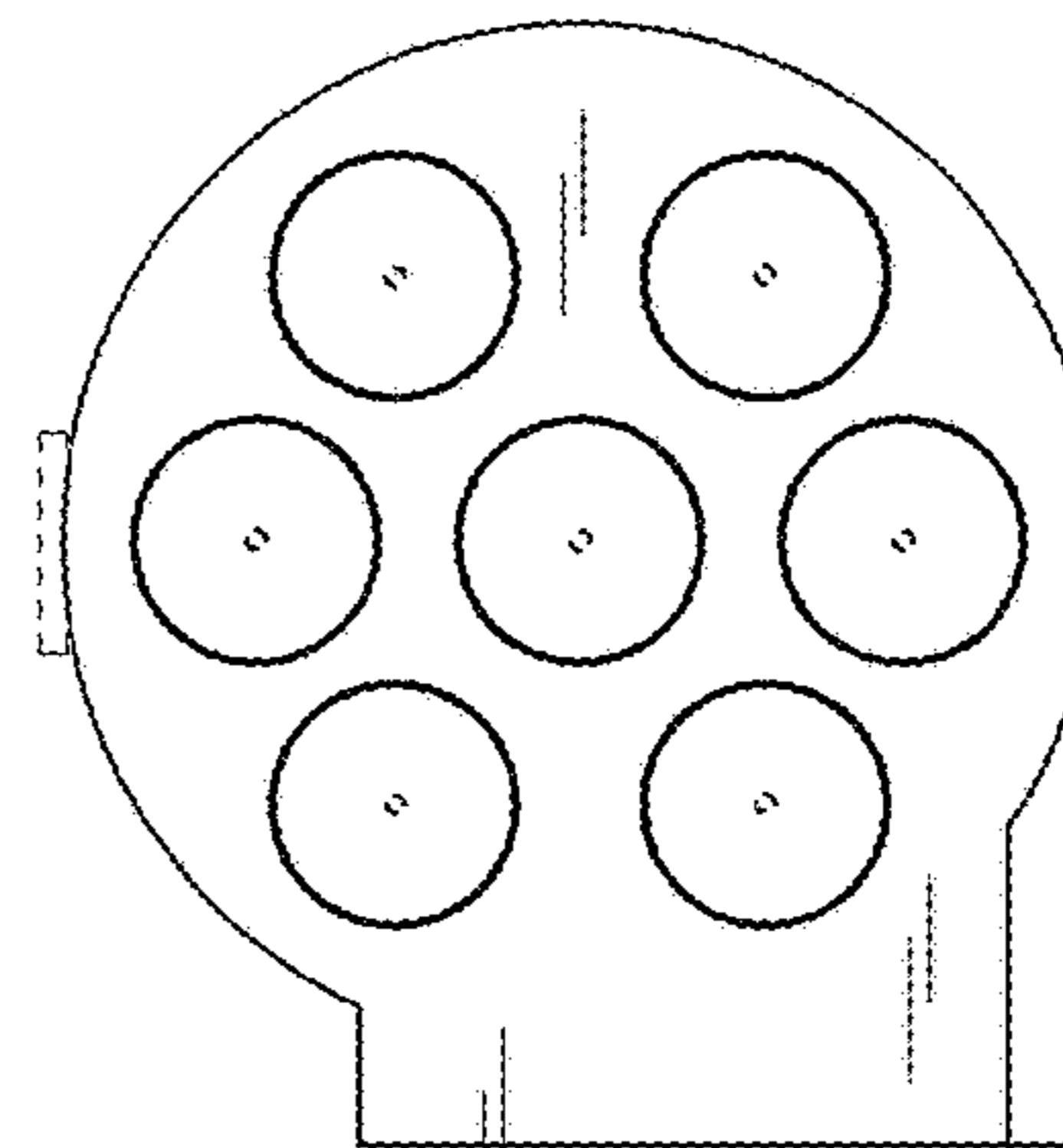


FIG. 4

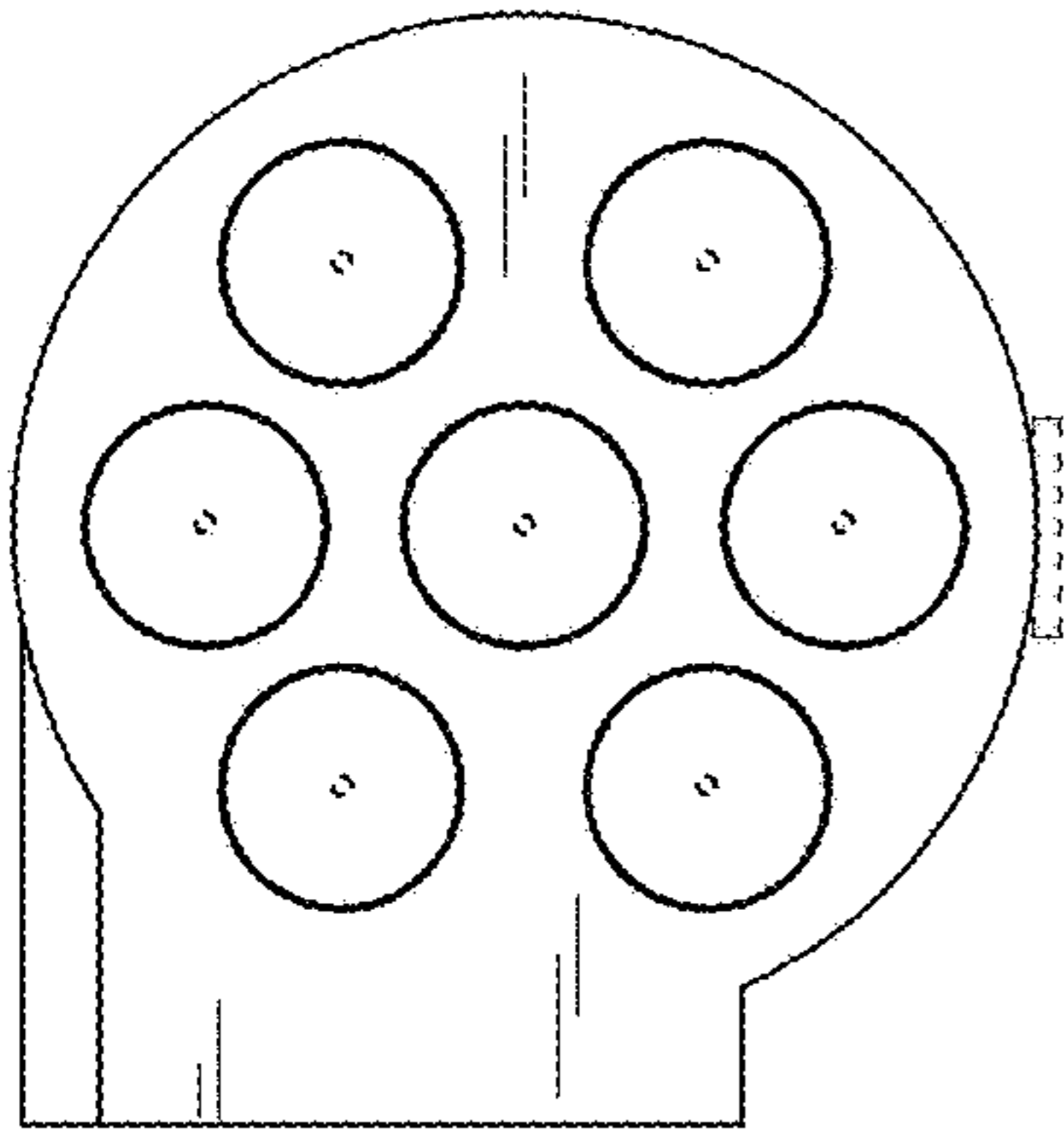


FIG. 5

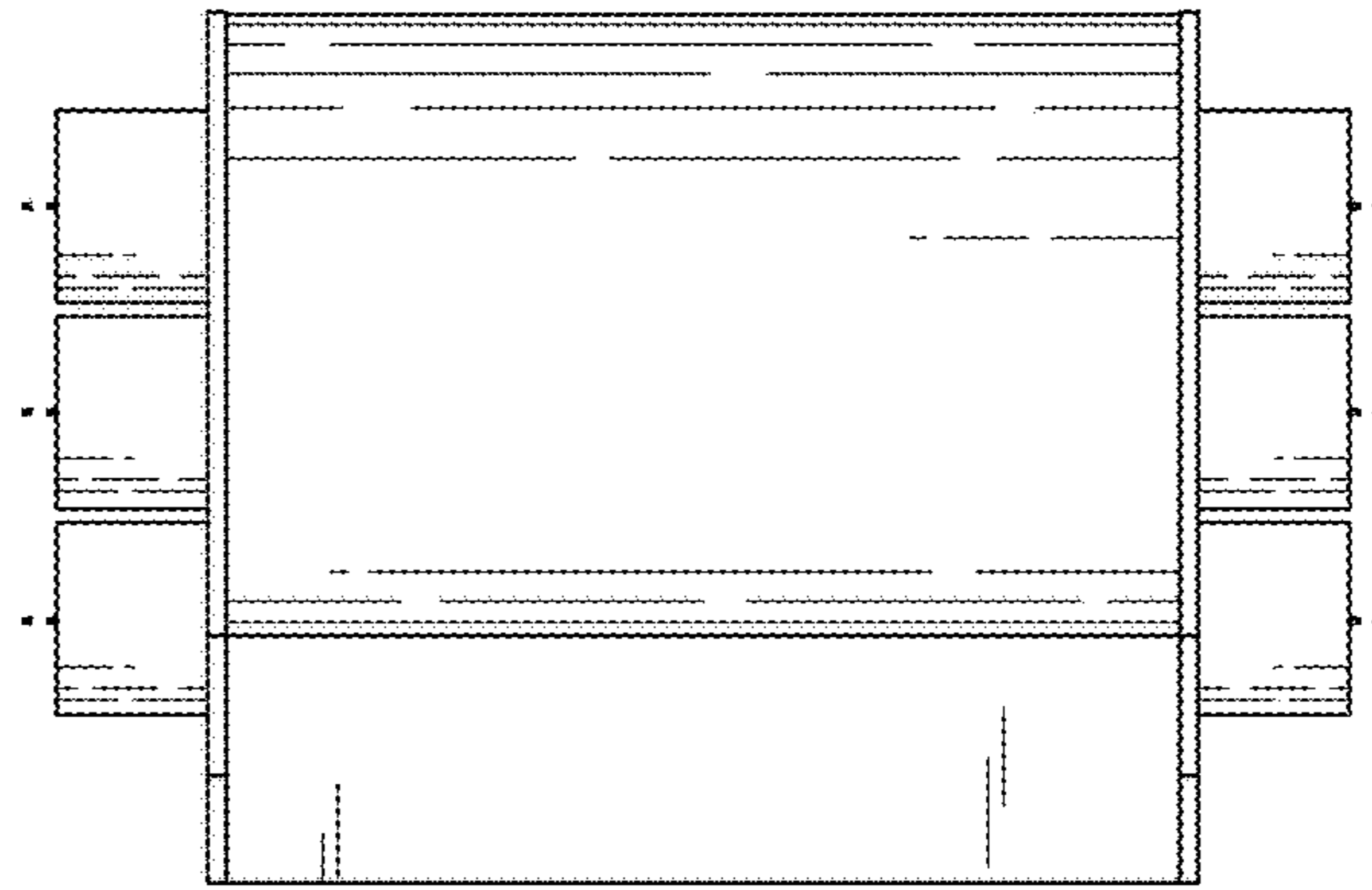


FIG. 6

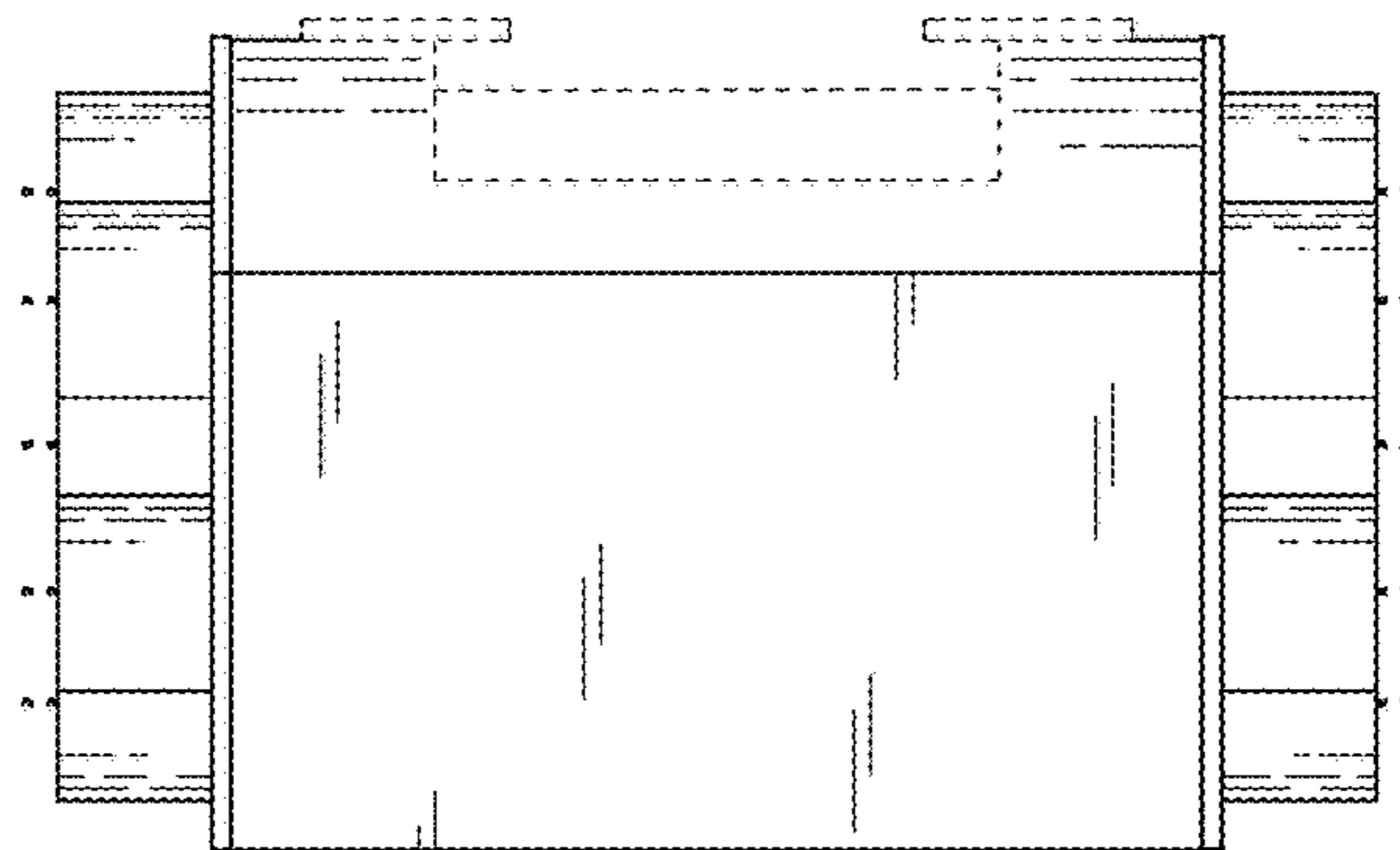


FIG. 7