



US00D844705S

(12) **United States Design Patent**
Zhang

(10) **Patent No.:** **US D844,705 S**

(45) **Date of Patent:** **** Apr. 2, 2019**

- (54) **PEN**
- (71) Applicant: **Beifa Group Co., Ltd.**, Ningbo (CN)
- (72) Inventor: **Youbin Zhang**, Ningbo (CN)
- (73) Assignee: **Beifa Group Co., Ltd.**, Ningbo (CN)
- (**) Term: **15 Years**
- (21) Appl. No.: **29/592,090**
- (22) Filed: **Jan. 26, 2017**
- (30) **Foreign Application Priority Data**

Jul. 28, 2016 (CN) 2016 3 0351019

- (51) **LOC (11) Cl.** **19-06**
- (52) **U.S. Cl.**
USPC **D19/176**
- (58) **Field of Classification Search**
USPC D19/196, 187, 179, 177, 176, 175, 173,
D19/169, 153, 117, 113, 164
CPC B43K 24/03; B43K 23/12; B43K 23/001;
G09B 5/04; G06F 3/03545
See application file for complete search history.

(56) **References Cited**

U.S. PATENT DOCUMENTS

D151,658 S	*	11/1948	Sams	D19/170
D488,509 S	*	4/2004	Pellissa Beneyto	D19/176
D568,936 S	*	5/2008	Qiu	D19/174
D583,413 S	*	12/2008	Li	D19/172
D589,558 S	*	3/2009	Avenatti	D19/176
D626,997 S	*	11/2010	Gerules	D19/176
D689,936 S	*	9/2013	Jiang	D19/174
D699,293 S	*	2/2014	Xie	D19/164
D701,268 S	*	3/2014	Schweig	D19/170
D703,751 S	*	4/2014	Schweig	D19/168
D741,950 S	*	10/2015	Lee	D19/117

D757,850 S	*	5/2016	Zhang	D19/123
D768,777 S	*	10/2016	Matsumura	D19/174
D786,871 S	*	5/2017	Park	D14/411

FOREIGN PATENT DOCUMENTS

KR 300565510.0000 * 4/2009

OTHER PUBLICATIONS

Stylus Pen posted by Teviwin posted date Jan. 11, 2014, © Amazon, [online], [site visited Mar. 9, 2014]. Available from Internet, https://www.amazon.com/Teviwins-Capacitive-Ballpoint-Universal-Screens/dp/B00HT5ODQG/ref=sr_1_21?ie=UTF8&qid=1520632237&sr=8-21&keywords=ace+teah (Year: 2014).*

(Continued)

Primary Examiner — Cynthia Ramirez

Assistant Examiner — Laura H Yu

(74) *Attorney, Agent, or Firm* — Seed Intellectual Property Law Group LLP

(57) **CLAIM**

The ornamental design for a pen, as shown and described.

DESCRIPTION

FIG. 1 is a front right perspective view of a pen showing my new design.

FIG. 2 is a front elevational view thereof.

FIG. 3 is a right side elevational view thereof, with the left side elevational view being a mirror image of the right side elevational view.

FIG. 4 is a rear elevational view thereof.

FIG. 5 is a top plan view thereof.

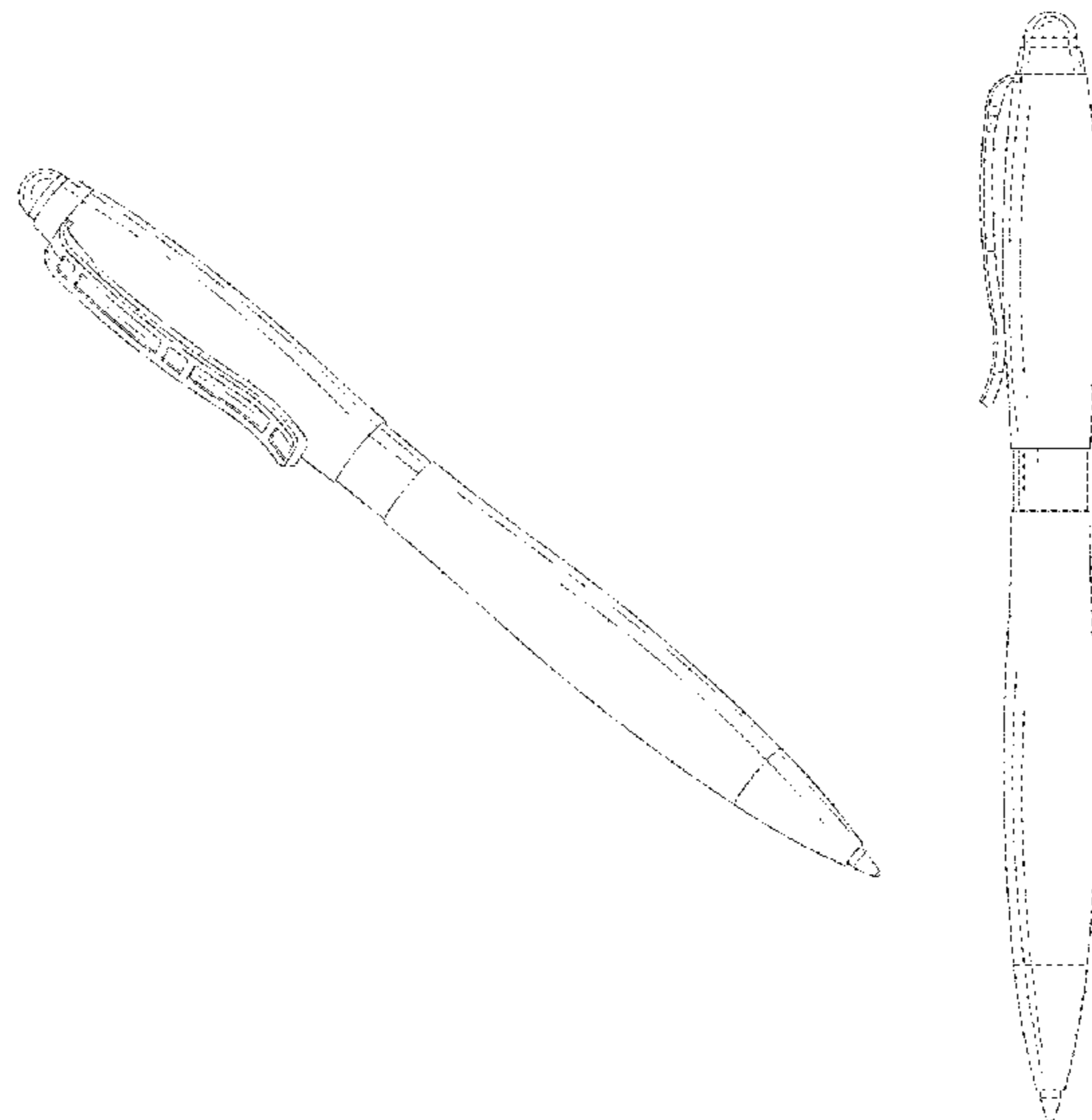
FIG. 6 is a bottom plan view thereof.

FIG. 7 is an enlarged top plan view thereof; and,

FIG. 8 is an enlarged bottom plan view thereof.

The broken lines in the figures show portions of the pen that form no part of the claimed design.

1 Claim, 3 Drawing Sheets



(56)

References Cited

OTHER PUBLICATIONS

Stylus Pen posted by Ace Teah posted review date Dec. 25, 2015,
© Amazon, [online], [site visited Mar. 9, 2018]. Available from
Internet, https://www.amazon.com/Ace-Universal-Devices-Including-Samsung/dp/B013LRFH06?ref=ast_p_ep (Year: 2015).*

* cited by examiner

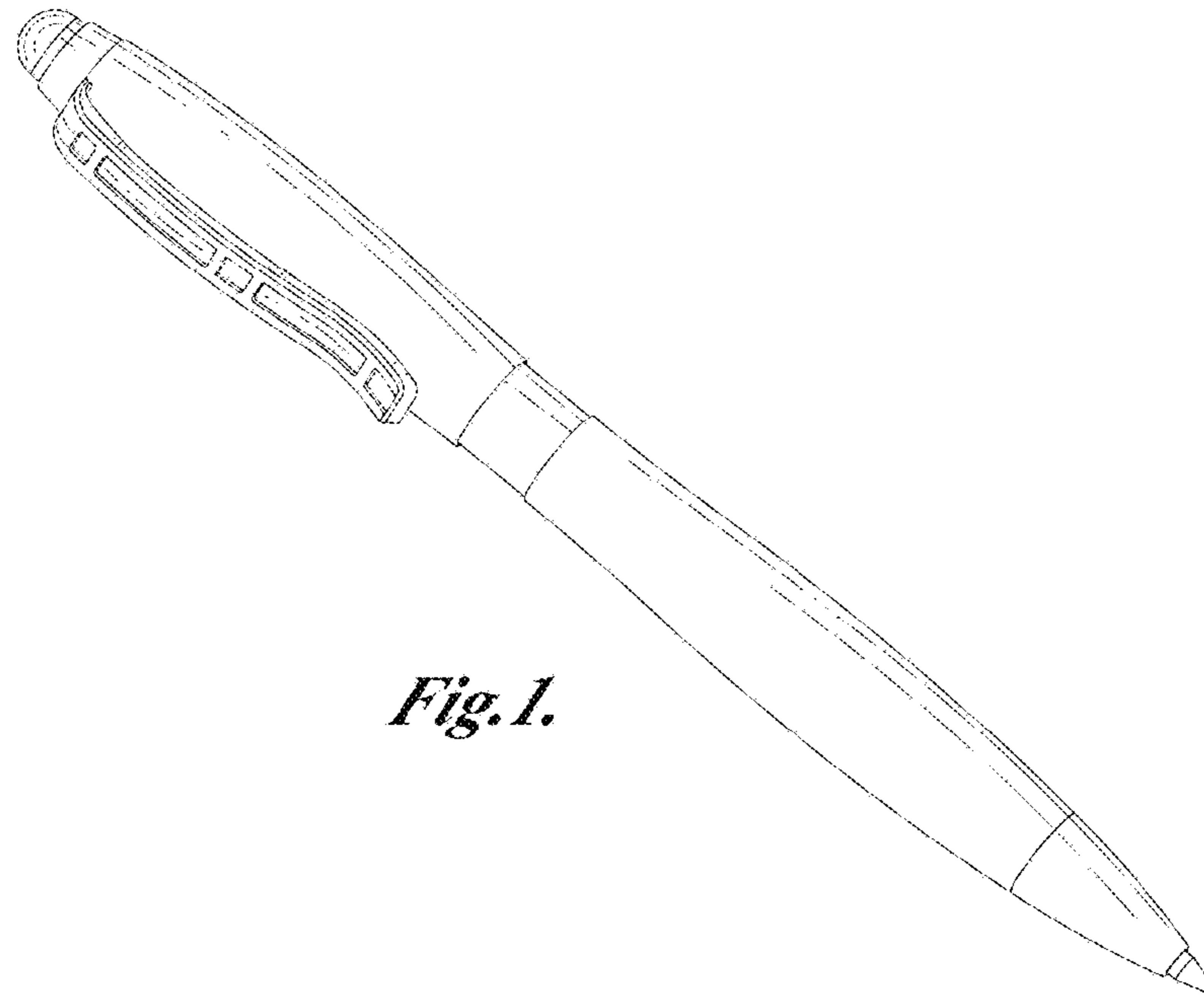


Fig. 1.

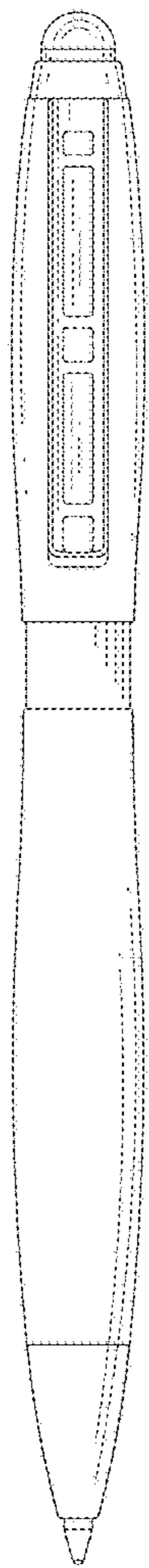


Fig. 2.

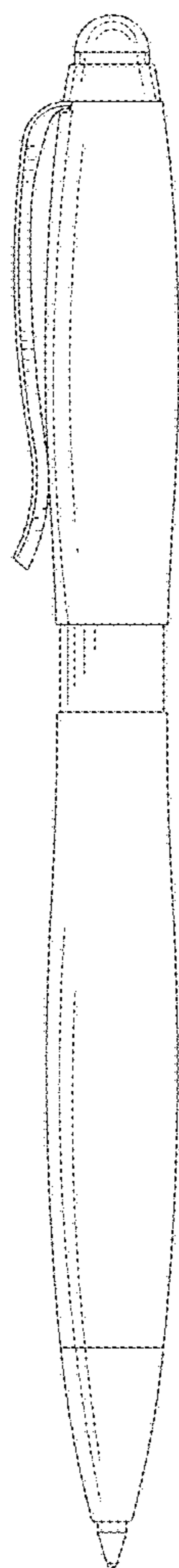


Fig. 3.

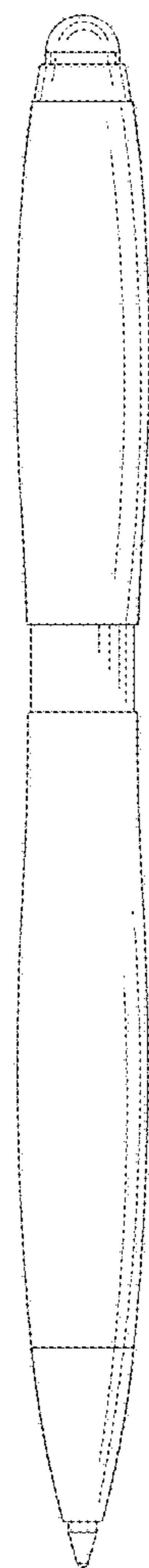


Fig. 4.

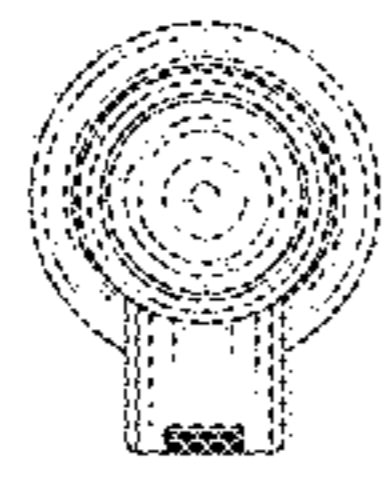


Fig. 5.

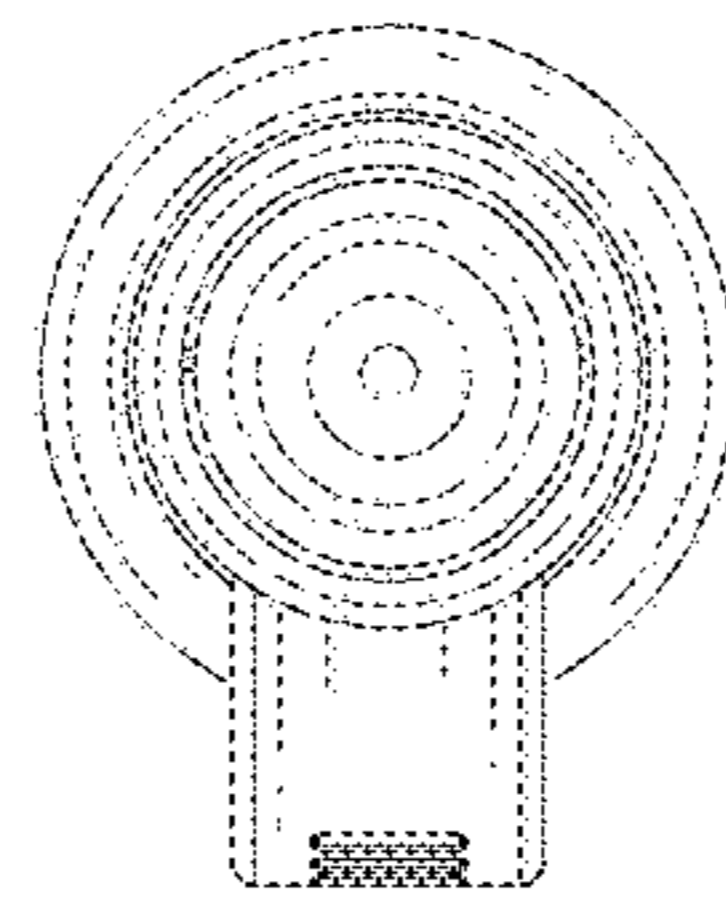


Fig. 7.

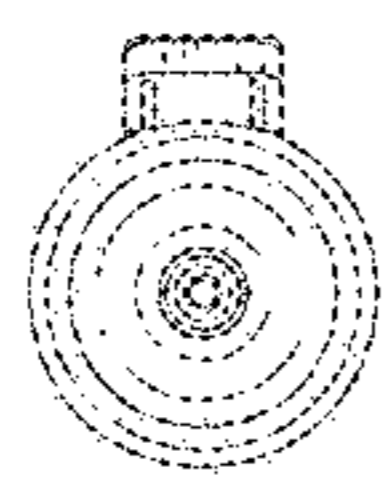


Fig. 6.

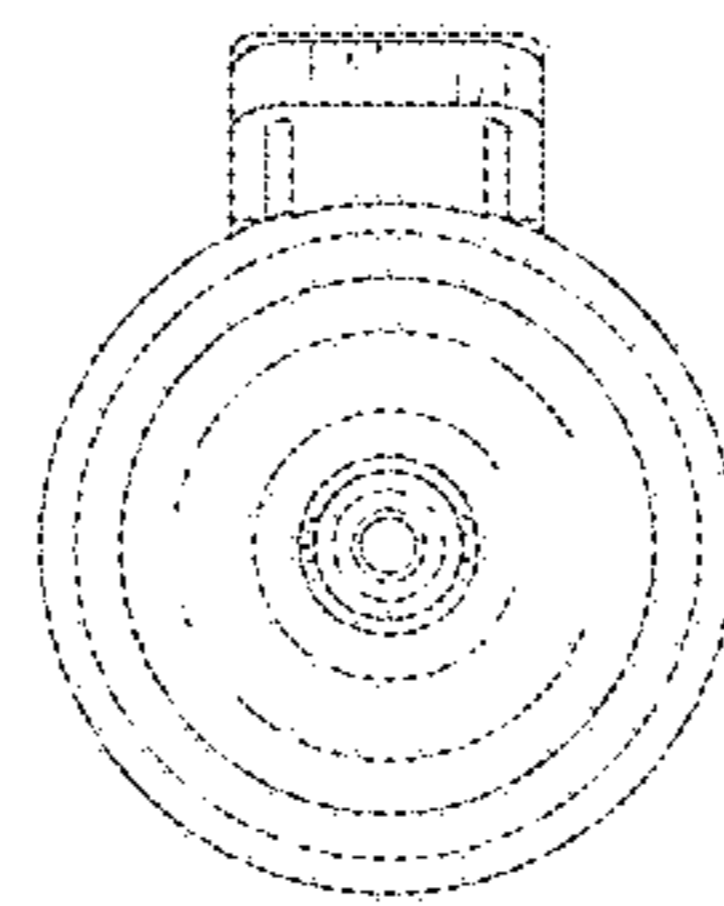


Fig. 8.