



US00D844698S

(12) **United States Design Patent**  
**Isaacs et al.**

(10) **Patent No.:** **US D844,698 S**

(45) **Date of Patent:** **\*\* Apr. 2, 2019**

- (54) **PAYMENT READER CRADLE**
- (71) Applicant: **INTUIT INC.**, Mountain View, CA (US)
- (72) Inventors: **Dickon Isaacs**, Mountain View, CA (US); **Daniel Ryan Loomis**, Mountain View, CA (US); **Leslie Witt**, Mountain View, CA (US); **Christian Antaloczy**, Mountain View, CA (US)
- (73) Assignee: **Intuit Inc.**, Mountain View, CA (US)
- (\*\*) Term: **15 Years**
- (21) Appl. No.: **29/616,461**
- (22) Filed: **Sep. 6, 2017**
- (51) **LOC (11) Cl.** ..... **18-01**
- (52) **U.S. Cl.**  
USPC ..... **D18/12; D13/108**
- (58) **Field of Classification Search**  
USPC ..... D18/12, 12.3, 4.4, 4.5, 4.6, 2, 99;  
D14/239, 434, 447, 451, 457, 253, 217,  
D14/314, 328, 332, 335, 900, 902, 356,  
D14/357, 358, 432, 433, 420, 421;  
D13/103, 107, 108; D20/1  
CPC ..... G06F 1/1632; G06Q 20/00; G06Q 20/08;  
G06Q 20/20; G07F 7/0873; G07F 7/088;  
G07G 1/0009; G07G 1/0018  
See application file for complete search history.

- (56) **References Cited**  
U.S. PATENT DOCUMENTS  
D46,020 S \* 6/1914 Crowley ..... D18/12  
D244,332 S \* 5/1977 Sullivan ..... D18/12  
D244,658 S \* 6/1977 Turner ..... D18/12  
D275,482 S \* 9/1984 Coons ..... D13/108  
D277,662 S \* 2/1985 Huntington ..... D13/107  
D280,618 S \* 9/1985 Brown ..... D14/142  
D378,916 S \* 4/1997 Kanno ..... D14/420

- D399,244 S \* 10/1998 Coveley ..... D18/12
- D413,097 S \* 8/1999 Chang ..... D13/107
- D431,021 S \* 9/2000 Collins ..... D13/108
- D474,737 S \* 5/2003 Yoshida ..... D13/108
- D476,359 S \* 6/2003 Mittler ..... D14/433
- D477,823 S \* 7/2003 Lavello, Sr. .... D14/149
- D489,325 S \* 5/2004 Nakamura ..... D13/110
- D523,847 S \* 6/2006 Naruki ..... D13/108
- D527,039 S \* 8/2006 Colburn ..... D18/12
- D535,615 S \* 1/2007 Iwai ..... D13/108
- D568,874 S \* 5/2008 Andre ..... D14/217
- D577,334 S \* 9/2008 Kim ..... D13/108
- D580,855 S \* 11/2008 Haspil ..... D13/108
- D597,080 S \* 7/2009 Andre ..... D14/217
- D605,588 S \* 12/2009 Nomi ..... D13/108
- D610,128 S \* 2/2010 Andre ..... D13/108
- D610,985 S \* 3/2010 Fahrendorff ..... D13/108
- D634,304 S \* 3/2011 Andre ..... D14/217
- D672,320 S \* 12/2012 Love ..... D13/168
- D702,664 S \* 4/2014 Kim ..... D14/217
- D702,665 S \* 4/2014 Kim ..... D14/217

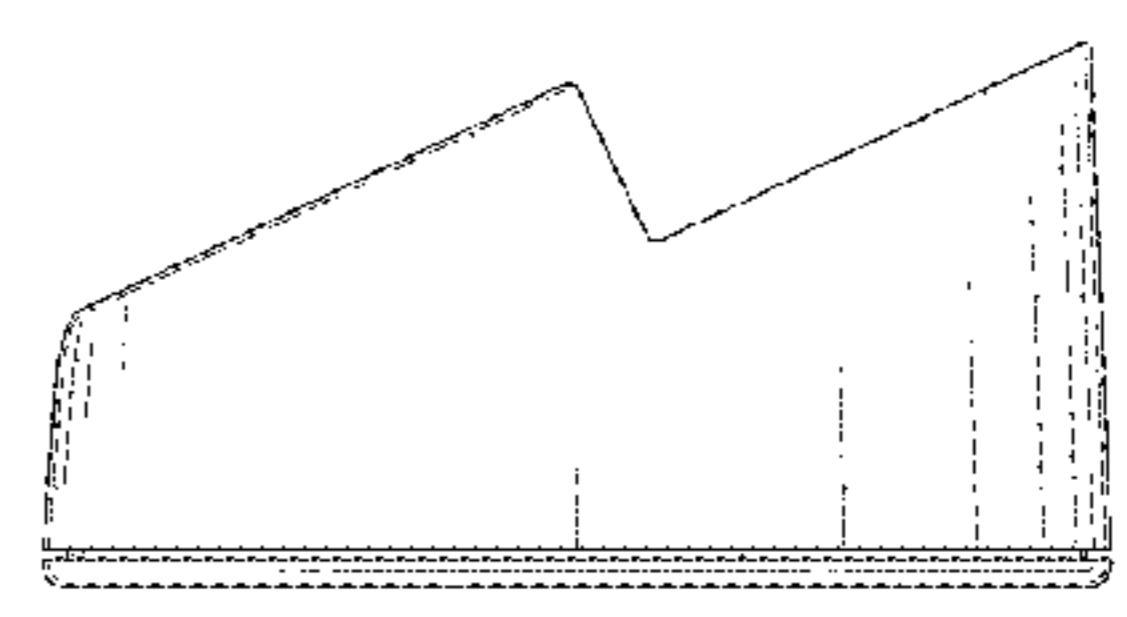
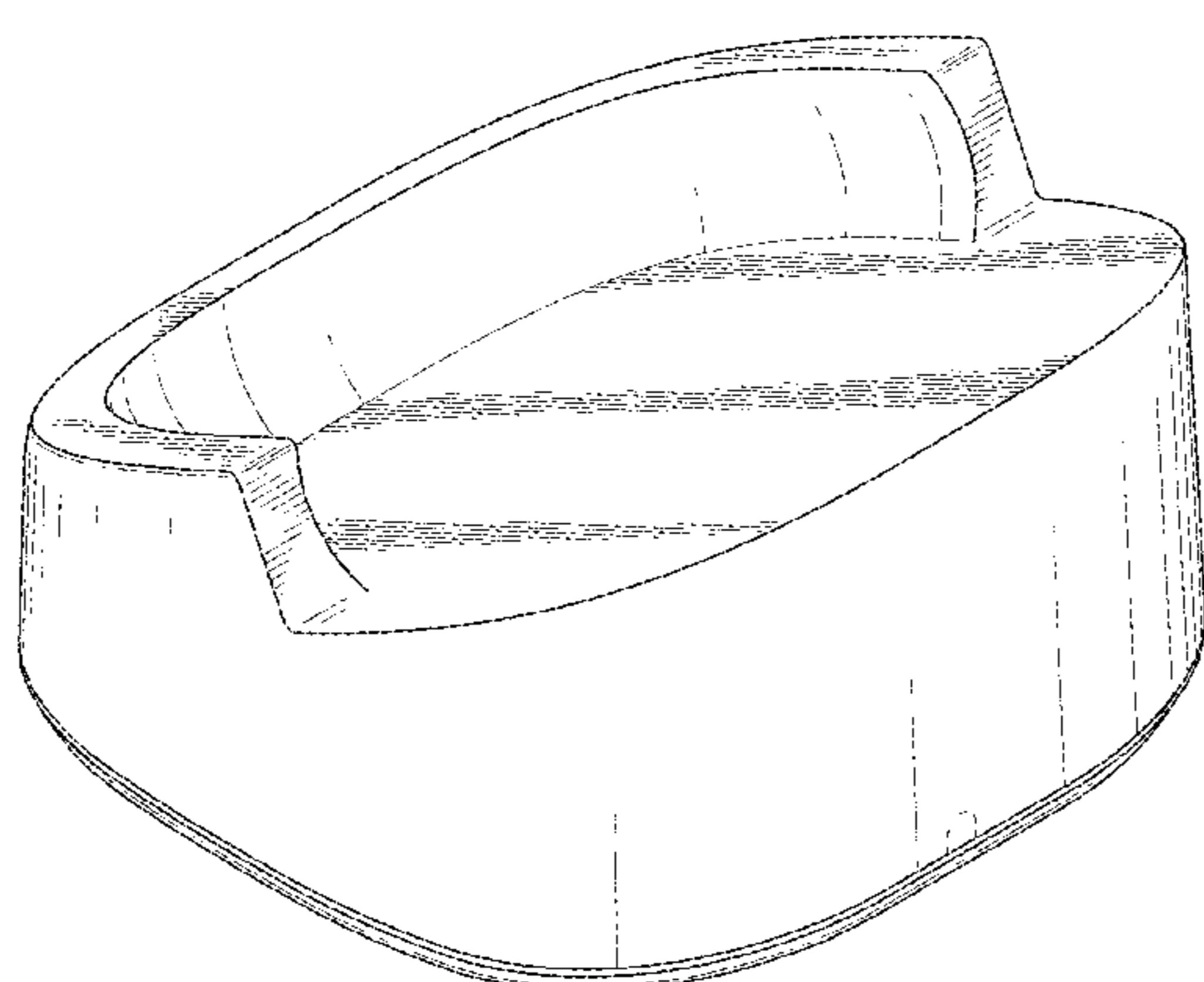
(Continued)

*Primary Examiner* — Marie D. Fast Horse  
(74) *Attorney, Agent, or Firm* — Patterson + Sheridan, LLP

(57) **CLAIM**  
The ornamental design for a payment reader cradle, as shown and described.

**DESCRIPTION**  
FIG. 1 is a perspective view of a payment reader cradle showing my new design;  
FIG. 2 is a front elevation view thereof;  
FIG. 3 is a rear elevation view thereof;  
FIG. 4 is a left side elevation view thereof;  
FIG. 5 is a right side elevation view thereof;  
FIG. 6 is a top plan view thereof; and,  
FIG. 7 is a bottom plan view thereof.  
The portions of the payment reader cradle shown in broken line form no part of the claimed design.

**1 Claim, 4 Drawing Sheets**



(56)

References Cited

U.S. PATENT DOCUMENTS

D717,290 S *	11/2014	Shen	.....	D14/253	D779,493 S *	2/2017	Eliyahu	.....	D14/217
D717,783 S *	11/2014	Gelsomini	.....	D14/253	D781,841 S *	3/2017	Salathe	.....	D14/253
D722,056 S *	2/2015	Nguyen	.....	D13/108	D795,841 S *	8/2017	Mistry	.....	D14/217
D734,751 S *	7/2015	Oberpriller	.....	D14/420	D795,876 S *	8/2017	Fletcher	.....	D14/434
D736,210 S *	8/2015	Paradise	.....	D14/434	D797,669 S *	9/2017	Chang	.....	D13/108
D736,211 S *	8/2015	Kirkpatrick	.....	G06F 1/20 D14/434	D799,494 S *	10/2017	Lee	.....	D14/447
D736,774 S *	8/2015	Ahn	.....	D14/434	D801,345 S *	10/2017	Kujawski	.....	D14/447
D741,336 S *	10/2015	Miniard	.....	D14/447	D806,712 S *	1/2018	Cebe	.....	D14/434
D748,616 S *	2/2016	Noble	.....	D14/253	D808,947 S *	1/2018	Taniho	.....	D14/253
D751,525 S *	3/2016	Lewis	.....	D14/148	D809,590 S *	2/2018	Durieux	.....	D18/12
D751,558 S *	3/2016	Lee	.....	D10/103	D811,414 S *	2/2018	Lee	.....	D14/447
D752,051 S *	3/2016	Chen	.....	D14/434	2013/0127403 A1 *	5/2013	Chen	.....	H02J 7/0042 320/107
D757,730 S *	5/2016	Fletcher	.....	D14/434	2014/0069710 A1 *	3/2014	Webb	.....	H04M 1/04 174/549
D763,263 S *	8/2016	Wierenga	.....	D14/434	2014/0097793 A1 *	4/2014	Wurtz	.....	H02J 7/0042 320/108
D769,878 S *	10/2016	Fletcher	.....	D14/434	2014/0191102 A1 *	7/2014	Lin	.....	F16M 11/10 248/454
D771,760 S *	11/2016	Riddiford	.....	D21/694					

\* cited by examiner

FIG. 1

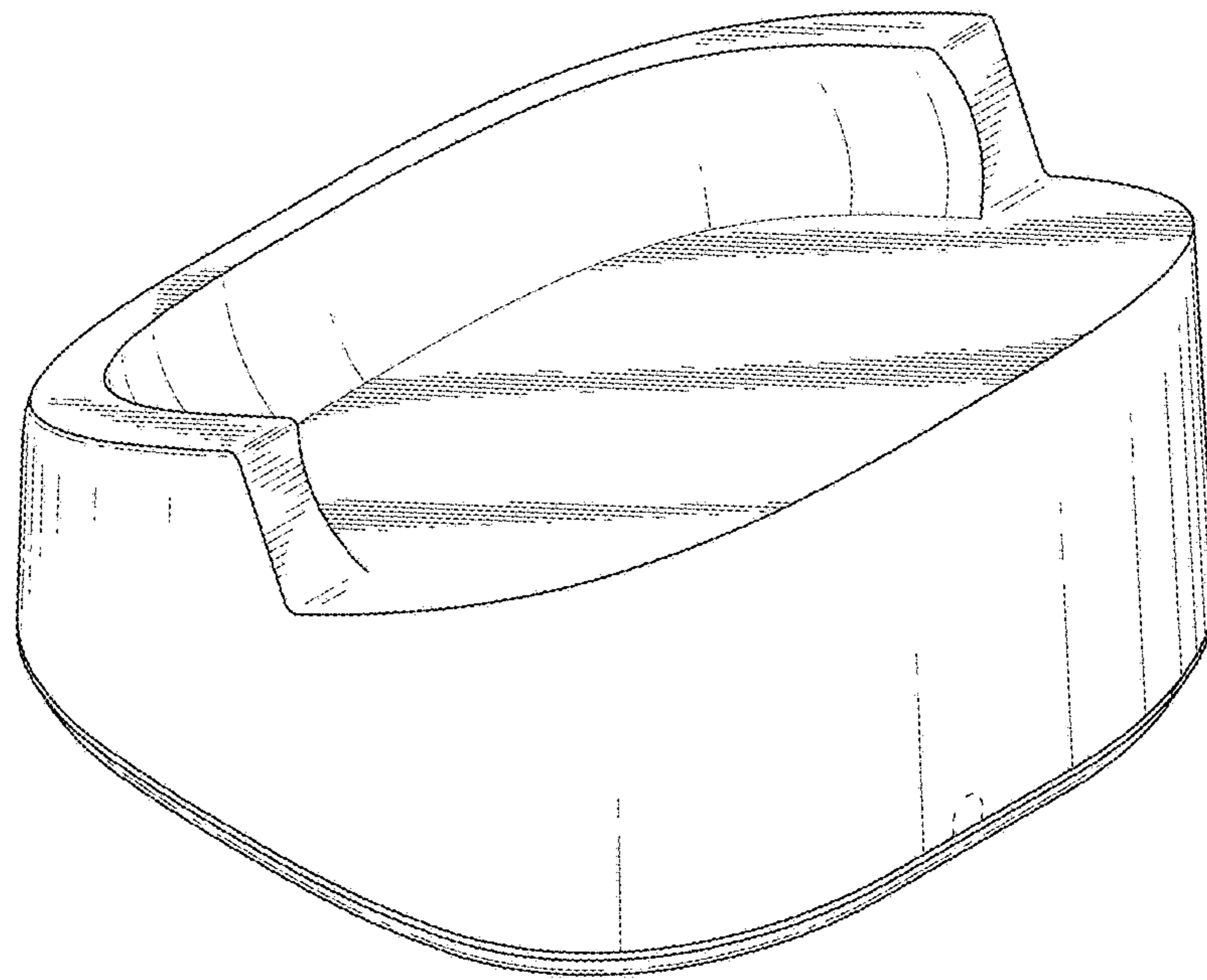


FIG. 2

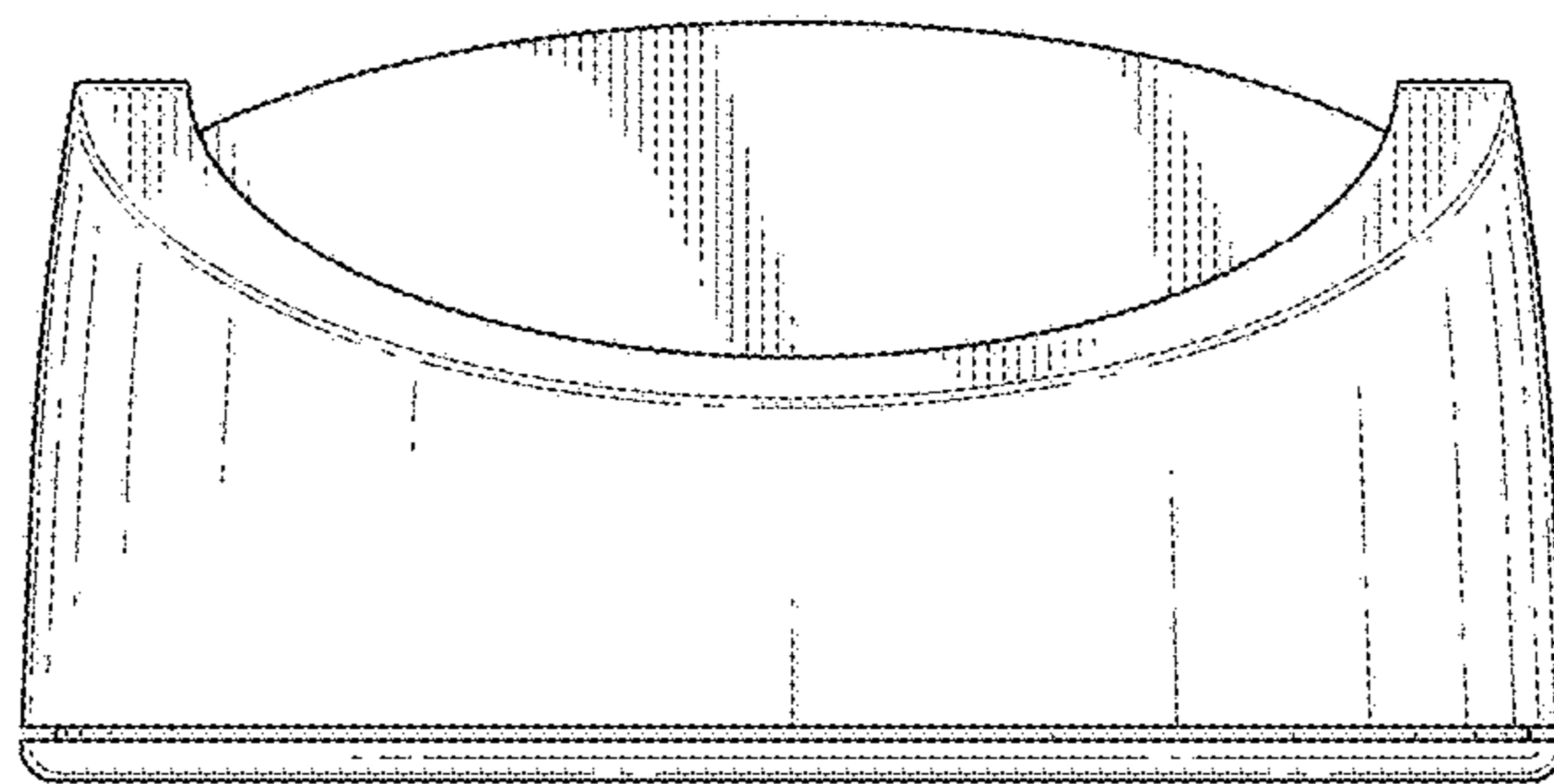


FIG. 3

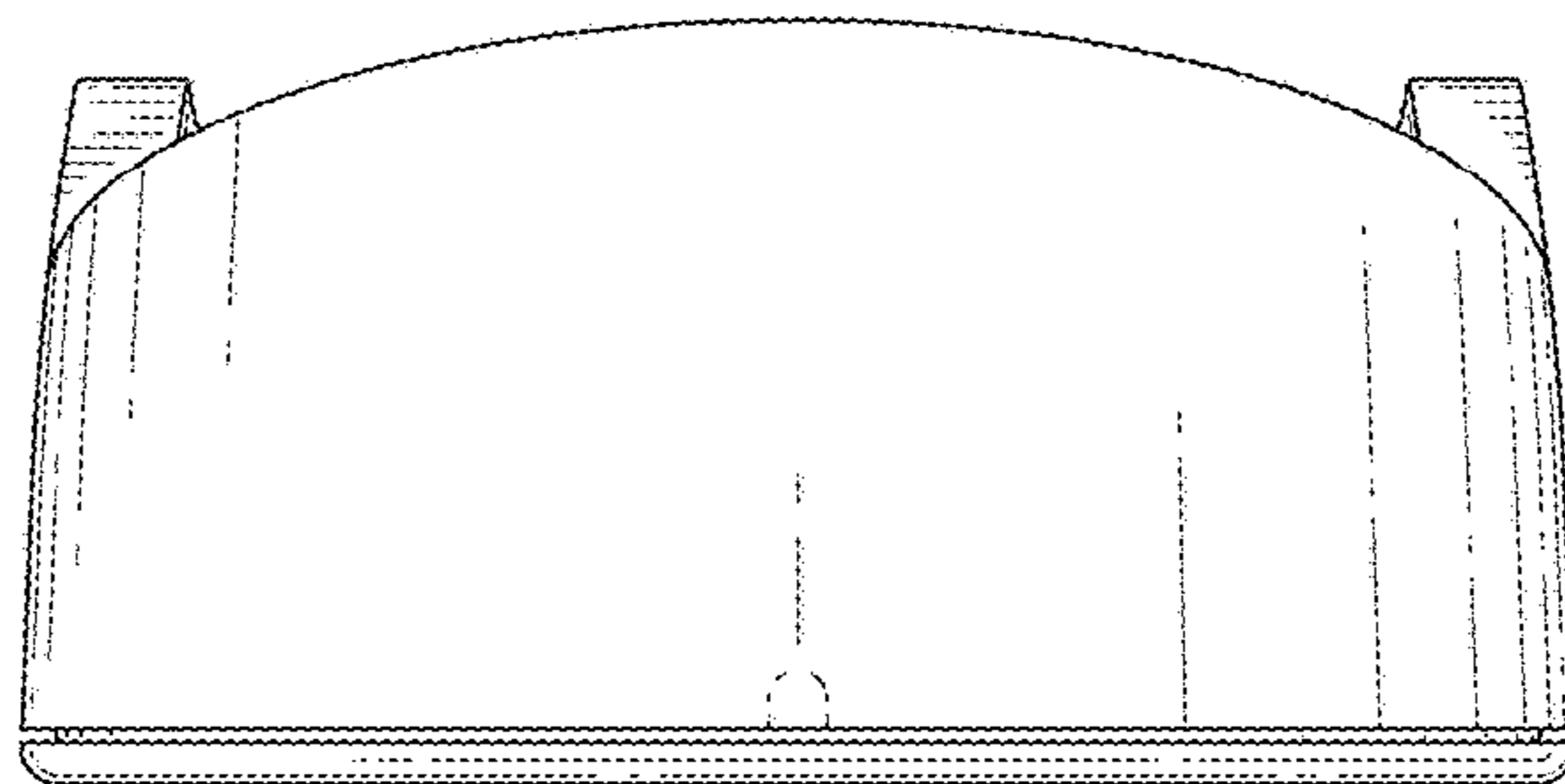


FIG. 4

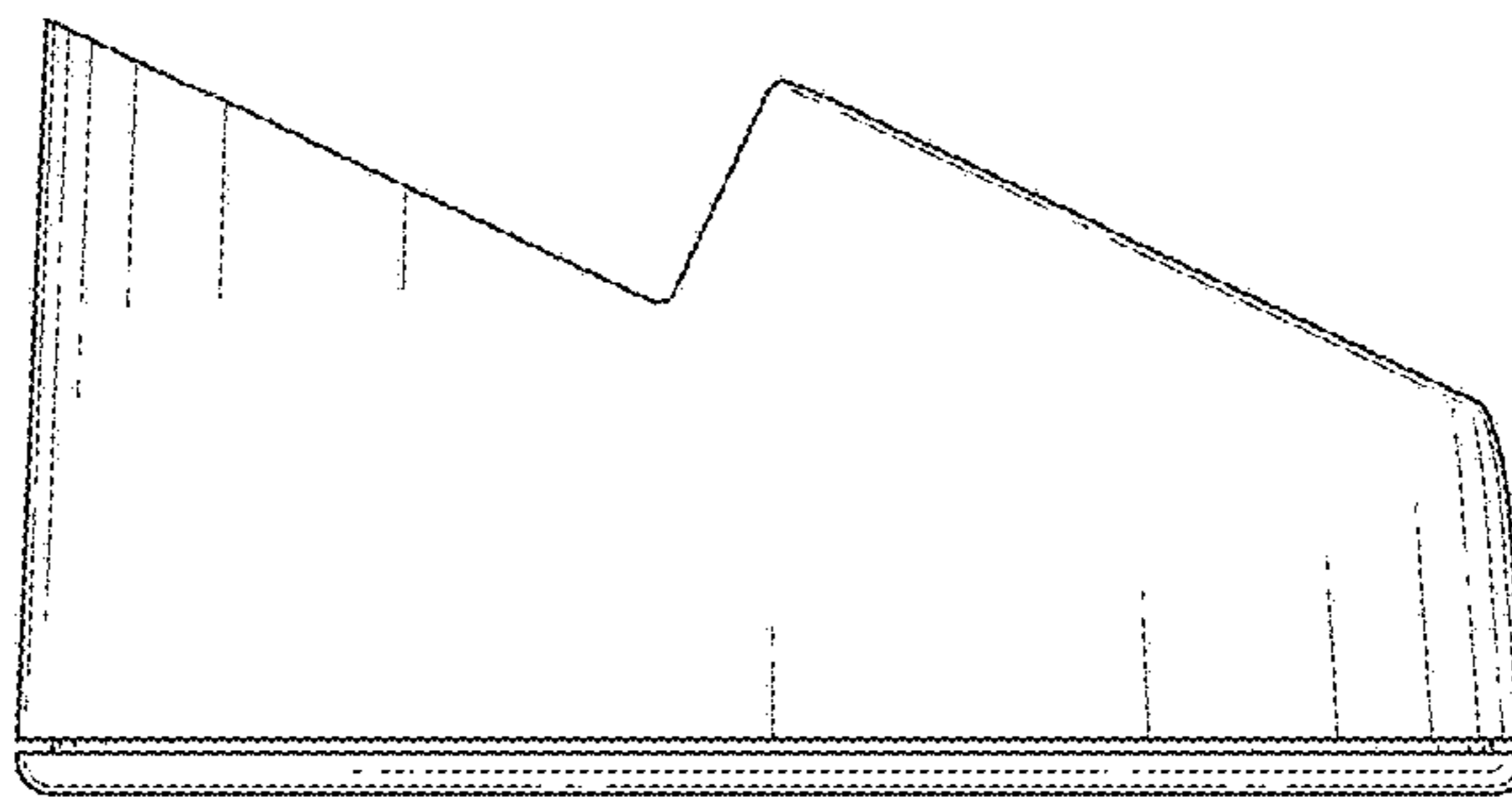


FIG. 5

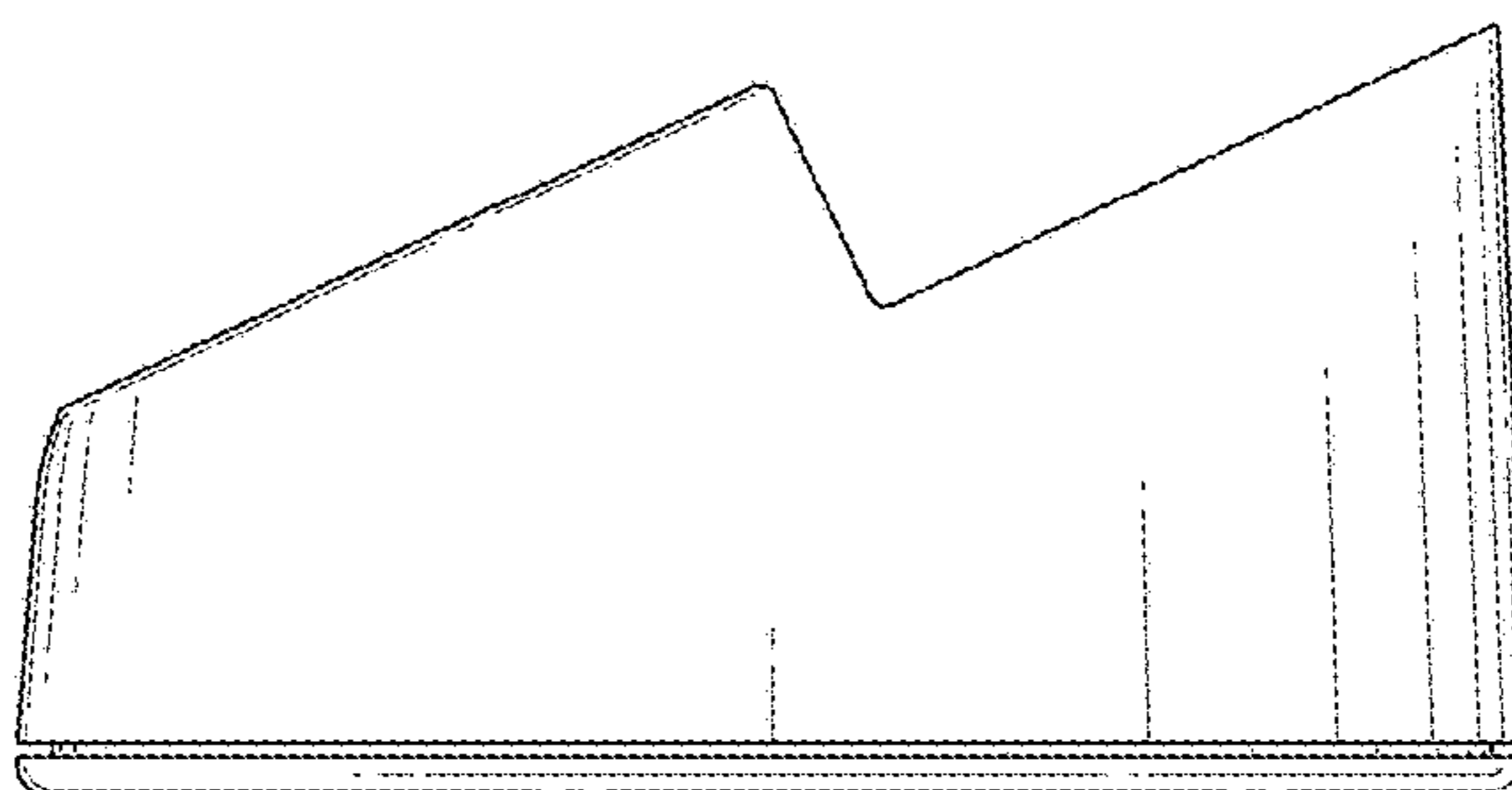




FIG. 6

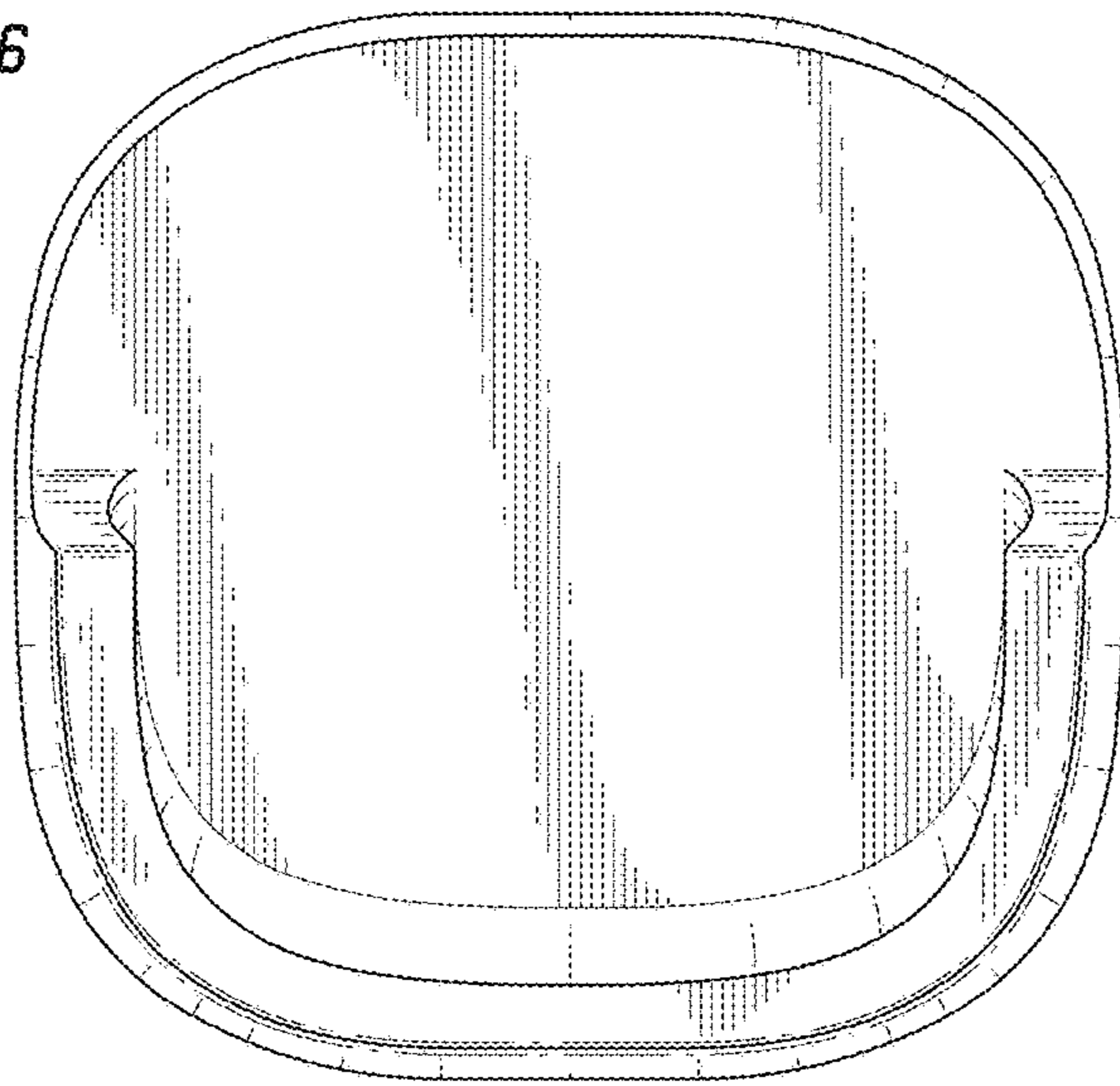


FIG. 7

