

US00D844696S

(12) **United States Design Patent** (10) **Patent No.:** **US D844,696 S**  
**Yeruva et al.** (45) **Date of Patent:** **\*\* Apr. 2, 2019**

(54) **TABLET WITH CARD READER**

G06Q 20/20; G07F 7/0873; G07F 7/088;  
G07G 1/0009; G07G 1/0018

(71) Applicant: **Clover Network, Inc.**, Sunnyvale, CA  
(US)

See application file for complete search history.

(72) Inventors: **Siva Raja Sekhar Reddy Yeruva**,  
Menlo Park, CA (US); **Sam Niansheng**  
**Qiu**, Palo Alto, CA (US); **David**  
**Frederick Lyons**, Palo Alto, CA (US);  
**Christopher Loew**, Palo Alto, CA  
(US); **Eric David Fuhs**, Sunnyvale, CA  
(US); **John Daniel Beatty**, Emerald  
Hills, CA (US); **Leonard Robert**  
**Speiser**, Los Altos, CA (US)

(56) **References Cited**

U.S. PATENT DOCUMENTS

D350,555 S *	9/1994	Field .....	D16/221
D357,495 S *	4/1995	Skaggs .....	D18/12.3
D375,735 S *	11/1996	Tochishita .....	D14/144
D388,826 S *	1/1998	Jones-Fenleigh .....	D19/113
D401,916 S *	12/1998	Butts .....	D14/385
D410,441 S *	6/1999	Lin .....	D14/314
D423,470 S *	4/2000	Neifer .....	D14/385
D436,951 S *	1/2001	Andresen .....	D14/336
D451,508 S *	12/2001	Liston .....	D14/385
D451,509 S *	12/2001	Liston .....	D14/385
D501,473 S *	2/2005	Nakata .....	D14/341
D501,853 S *	2/2005	Koloski .....	D14/341
D506,767 S *	6/2005	Imai .....	D16/200
D529,910 S *	10/2006	Ota .....	D14/374
D664,144 S *	7/2012	Akana .....	D14/389
D675,613 S *	2/2013	Chu .....	D14/341
D681,639 S *	5/2013	Cruz .....	D14/385

(Continued)

(73) Assignee: **Clover Network, Inc.**, Sunnyvale, CA  
(US)

(\*\*) Term: **15 Years**

*Primary Examiner* — Marie D. Fast Horse

(21) Appl. No.: **29/619,260**

(74) *Attorney, Agent, or Firm* — Daylight Law, P.C.

(22) Filed: **Sep. 28, 2017**

(51) **LOC (11) Cl.** ..... **18-01**

(57) **CLAIM**

(52) **U.S. Cl.**

The ornamental design for a tablet with card reader, as shown and described.

USPC ..... **D18/4.5**; D18/4.6

(58) **Field of Classification Search**

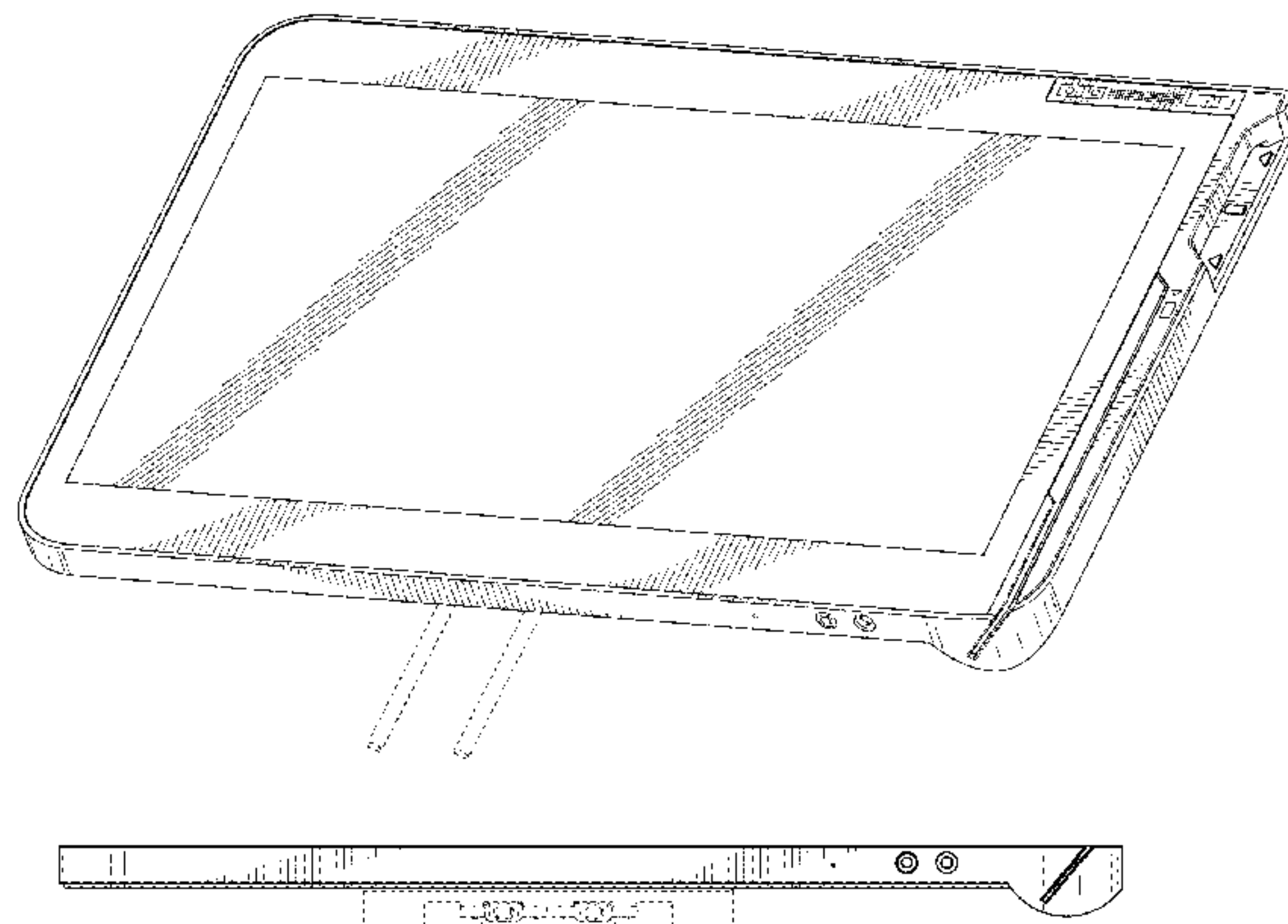
**DESCRIPTION**

USPC ..... D18/4.4, 4.5, 4.6, 2, 11, 50, 14, 19–21,  
D18/54, 99; D14/300, 307, 338, 339,  
D14/341, 356, 357, 383, 385, 386, 388,  
D14/426, 453–455, 496, 507, 509, 510,  
D14/154, 155, 158, 168, 218, 225, 226,  
D14/248, 299, 314, 328, 332, 335, 900,  
D14/902, 389, 390; D10/46, 61, 62, 70,  
D10/104.1, 104.2, 106.2, 106.6, 65, 66;  
D20/1; D13/168

FIG. 1 is a front perspective view of a tablet with card reader;  
FIG. 2 is a rear perspective view thereof;  
FIG. 3 is a front view of the design of FIG. 1;  
FIG. 4 is a rear view of the design of FIG. 1;  
FIG. 5 is a top view of the design of FIG. 1;  
FIG. 6 is a bottom view of the design of FIG. 1;  
FIG. 7 is a left side view of the design of FIG. 1; and,  
FIG. 8 is a right side view of the design of FIG. 1.

CPC ..... H04W 8/22; H04W 52/0225; H04W  
52/0254; G06Q 20/00; G06Q 20/08;

(Continued)



The broken lines in the drawings depict environmental subject matter only and form no part of the claim.

**1 Claim, 6 Drawing Sheets**

(56)

**References Cited**

U.S. PATENT DOCUMENTS

D682,830 S \* 5/2013 Taunay da Graca Couto ..... D14/385  
 D689,921 S \* 9/2013 Branck ..... D18/4.6  
 D690,692 S \* 10/2013 Shin ..... D14/341  
 D692,885 S \* 11/2013 Cruz ..... D14/307  
 D698,384 S \* 1/2014 Cruz ..... D18/4.4  
 D702,227 S \* 4/2014 Washiyama ..... D14/341  
 D707,676 S \* 6/2014 Azuma ..... D14/385  
 D707,677 S \* 6/2014 Azuma ..... D14/385  
 D709,069 S \* 7/2014 Cruz ..... D14/385  
 D711,460 S \* 8/2014 Schwarzkopf ..... D18/4.6  
 D712,401 S \* 9/2014 Lee ..... D14/341  
 D713,447 S \* 9/2014 Balar ..... D18/4.6  
 D714,286 S \* 9/2014 Kim ..... D14/341  
 D714,784 S \* 10/2014 Park ..... D14/341  
 D720,000 S \* 12/2014 Lyons ..... D18/4.5  
 D723,031 S \* 2/2015 Rawal ..... D14/385  
 D723,546 S \* 3/2015 Grziwok ..... D14/341

D724,582 S \* 3/2015 Kim ..... D14/341  
 D725,109 S \* 3/2015 Azuma ..... D14/385  
 D726,182 S \* 4/2015 Durham ..... D14/385  
 D727,902 S \* 4/2015 Saulnier, III ..... D14/385  
 D728,676 S \* 5/2015 Reines ..... D18/6  
 D729,243 S \* 5/2015 Toh ..... D14/385  
 D729,244 S \* 5/2015 Toh ..... D14/385  
 D735,802 S 8/2015 Lyons  
 D746,902 S \* 1/2016 Lyons ..... D18/4.6  
 9,323,961 B2 \* 4/2016 Azuma ..... G06F 1/1626  
 D761,350 S \* 7/2016 Beatty ..... D18/12  
 D761,899 S \* 7/2016 Beatty ..... D18/4.6  
 D772,335 S \* 11/2016 Mantrawadi ..... D18/4.6  
 D778,982 S \* 2/2017 Beatty ..... D18/4.5  
 D792,392 S \* 7/2017 Sharma ..... D14/341  
 D794,629 S \* 8/2017 Jiang ..... D14/341  
 D798,378 S \* 9/2017 Kim ..... D18/4.6  
 D813,863 S \* 3/2018 Barea ..... D14/341  
 D814,559 S \* 4/2018 Oross ..... D18/4.4  
 D823,303 S \* 7/2018 Jiang ..... D14/345  
 2012/0286040 A1 \* 11/2012 Ko ..... G07F 7/0886  
 235/383  
 2015/0241919 A1 \* 8/2015 Beatty ..... G06F 1/1632  
 361/679.44  
 2016/0070964 A1 \* 3/2016 Conrad ..... G07G 1/0018  
 348/150  
 2016/0120050 A1 \* 4/2016 Chen ..... G06F 1/16  
 361/679.01  
 2018/0033255 A1 \* 2/2018 Beatty ..... G06Q 20/202  
 \* cited by examiner

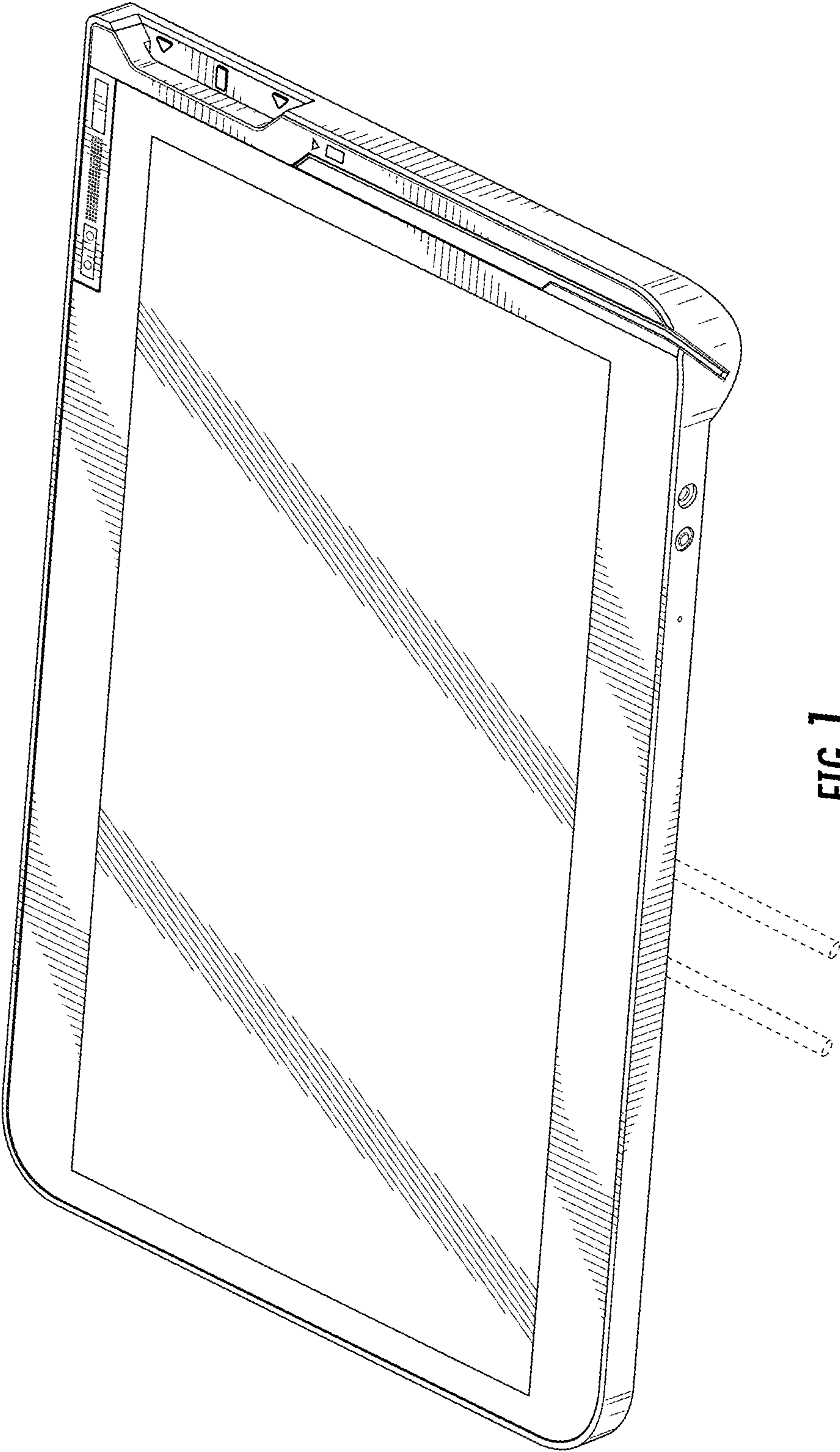


FIG. 1



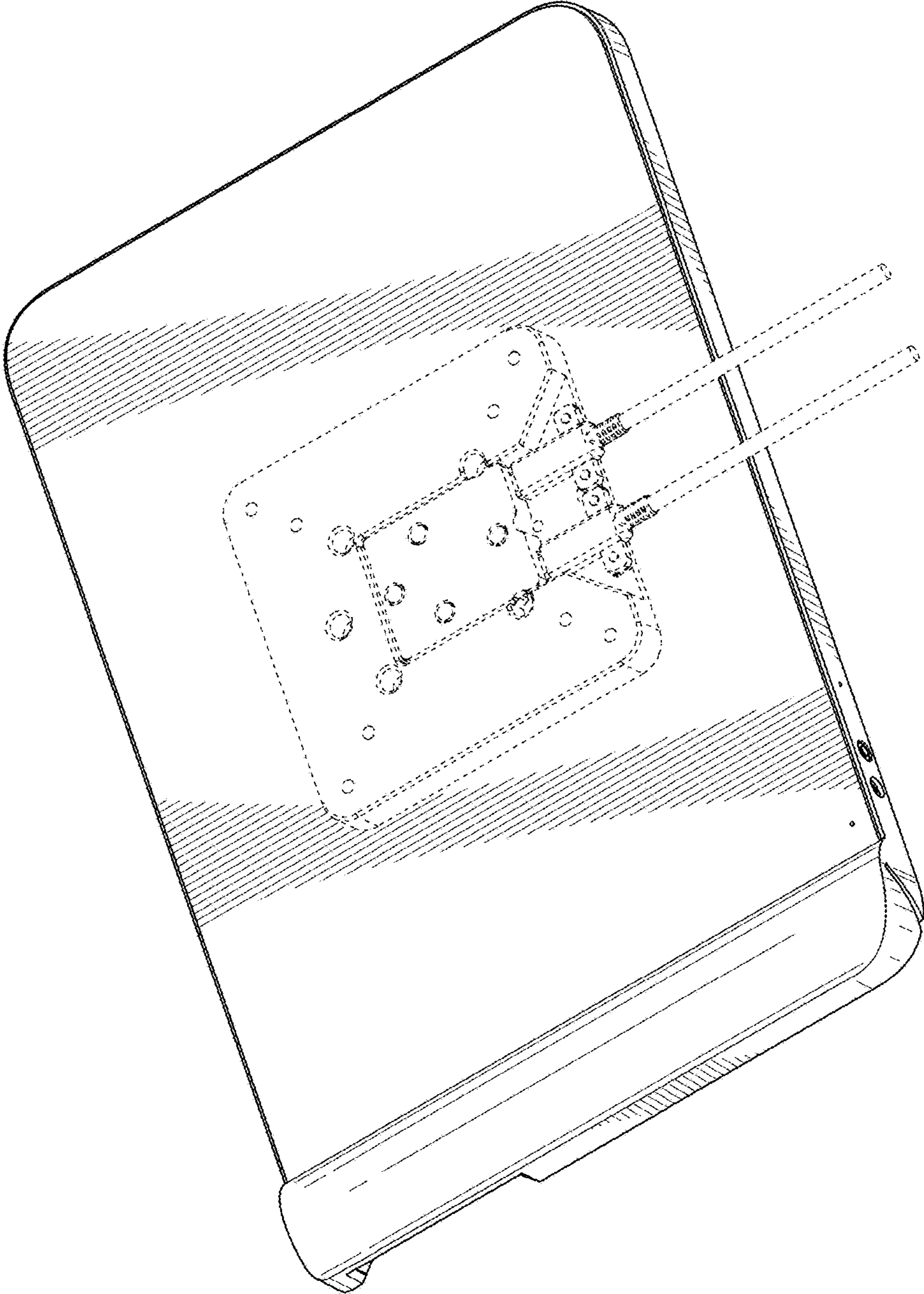


FIG. 2

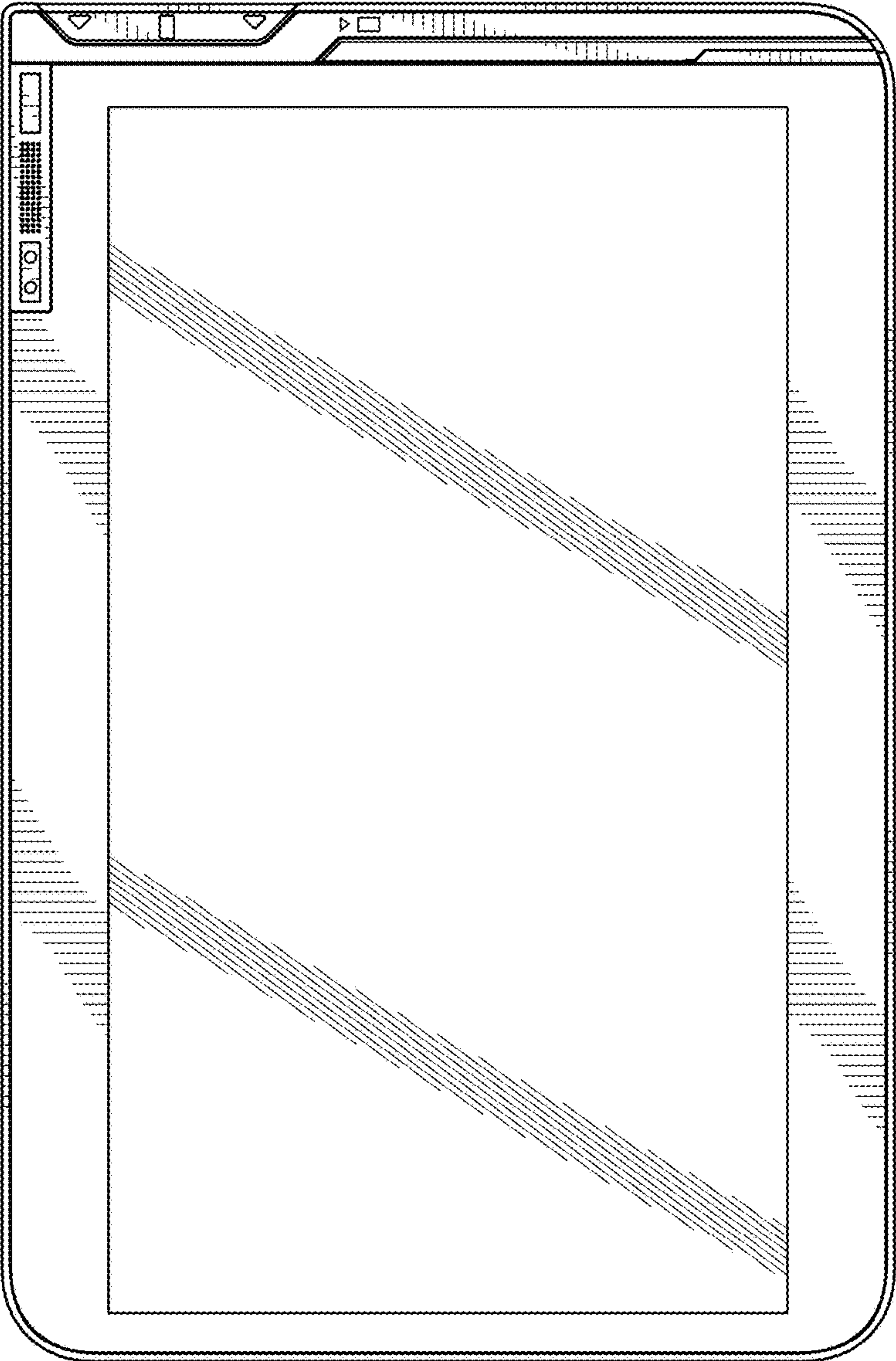


FIG. 3

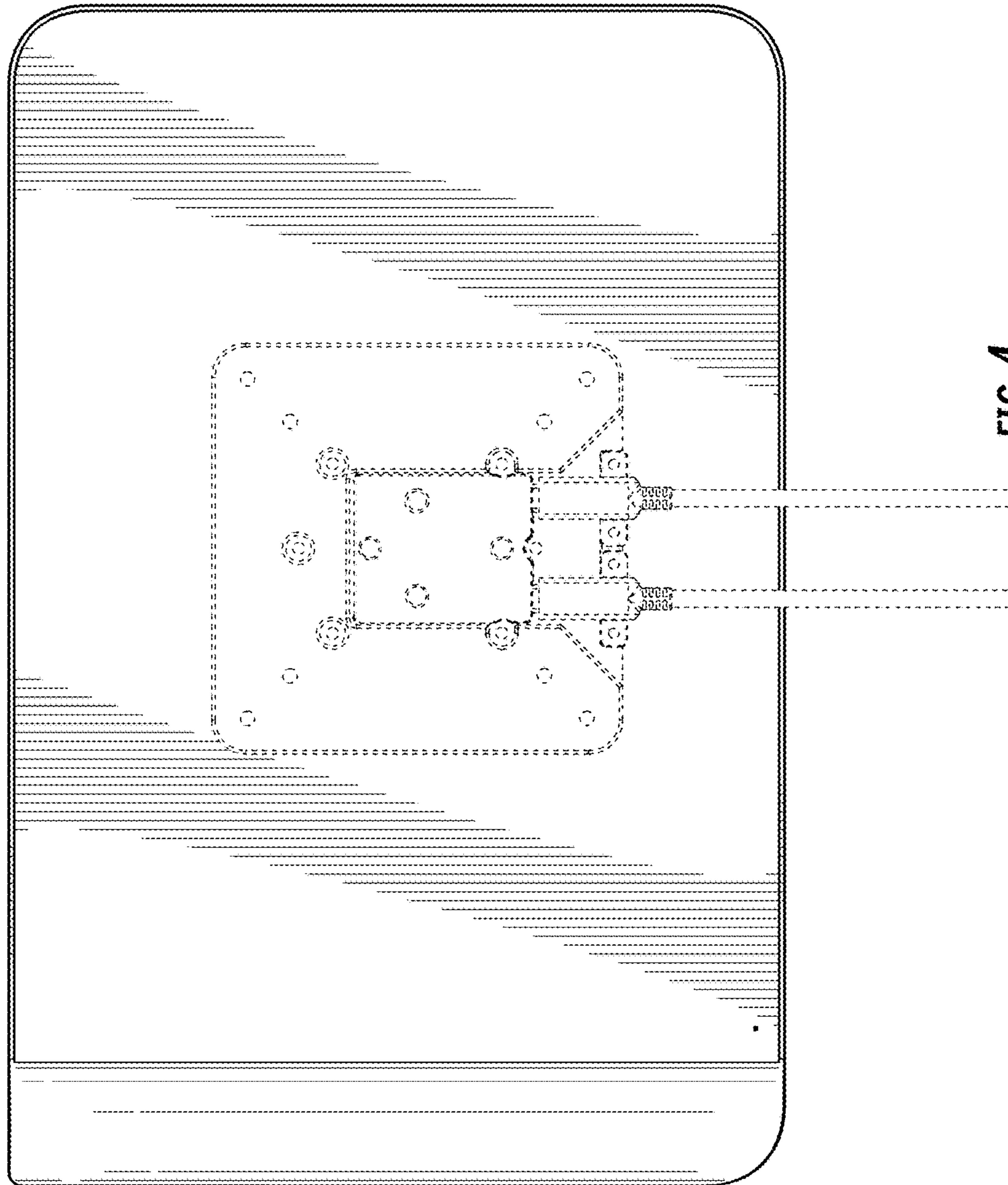


FIG. 4

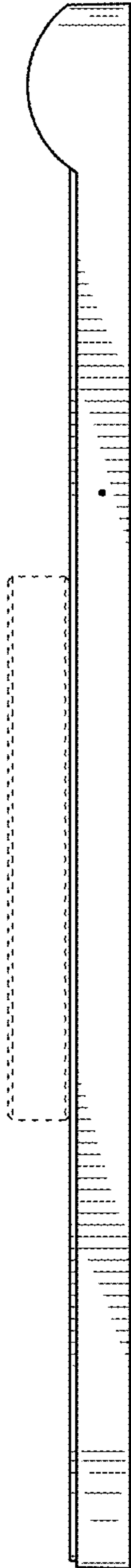


FIG. 5

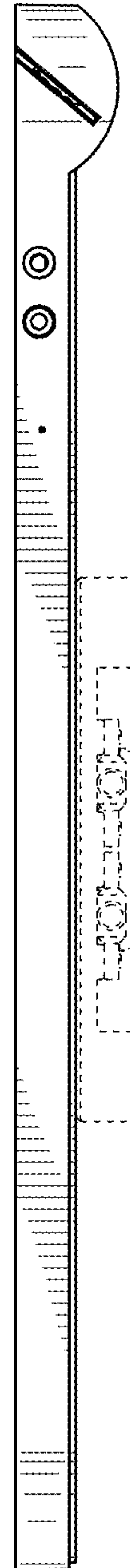


FIG. 6

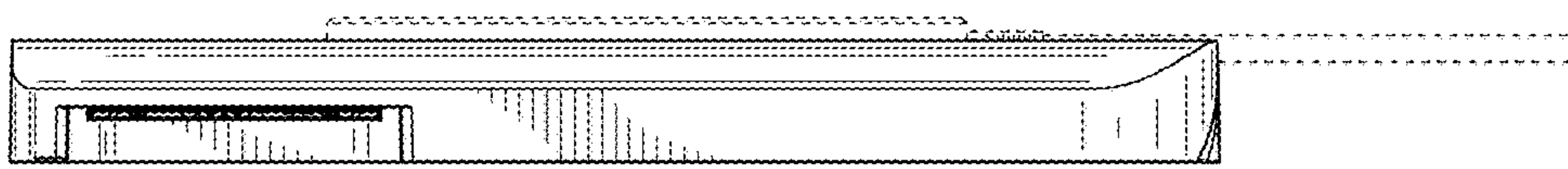


FIG. 8

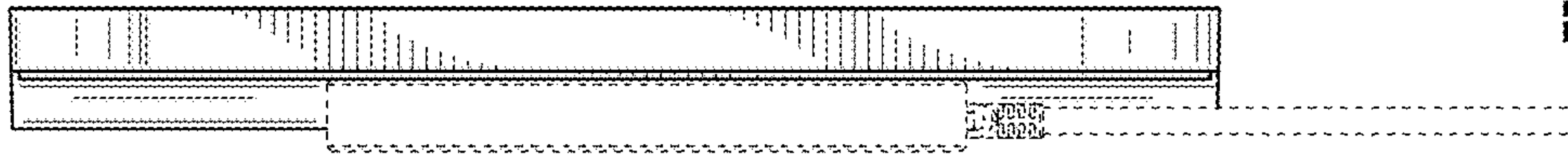


FIG. 7