



US00D844695S

(12) **United States Design Patent** (10) **Patent No.:** **US D844,695 S**
Deans et al. (45) **Date of Patent:** **** Apr. 2, 2019**

(54) **COMBINED CASH COUNTER AND PRINTER**

(71) Applicant: **Cashmaster International Limited**,
Rosyth (GB)

(72) Inventors: **Douglas Deans**, Glasgow (GB);
William Mitchell, Glasgow (GB)

(73) Assignee: **Cashmaster Int'l Ltd.**, Rosyth (GB)

(**) Term: **15 Years**

(21) Appl. No.: **29/545,978**

(22) Filed: **Nov. 18, 2015**

(30) **Foreign Application Priority Data**

Sep. 23, 2015 (EM) 002777862-0001

(51) **LOC (11) Cl.** **18-01**

(52) **U.S. Cl.**
USPC **D18/3.3**

(58) **Field of Classification Search**
USPC D14/125-127, 230, 307, 314, 323, 336,
D14/345, 385, 422, 496, 373, 371,
D14/374-377, 341, 389; 705/16, 17;
D99/34, 43; 235/449; D18/46-49,
D18/1-12.3; D10/97
CPC G07G 1/0018; G07G 1/12; G06F 21/86
See application file for complete search history.

(56) **References Cited**

U.S. PATENT DOCUMENTS

D369,984 S * 5/1996 Larsen D10/97
D456,020 S * 4/2002 Obata D14/336
6,915,893 B2 * 7/2005 Mennie G07D 11/0084
194/207

D581,452 S * 11/2008 Nelson D18/4.6
D642,179 S * 7/2011 Kuroda D14/422
D642,180 S * 7/2011 Hampf D14/422
D646,711 S * 10/2011 Funato D18/3.3
D677,593 S * 3/2013 Shih D10/97
D726,813 S * 4/2015 Gonzalez D18/3.3
D754,786 S * 4/2016 Tiessens D18/3.3
D758,369 S * 6/2016 Kuroda D14/422
D767,667 S * 9/2016 van Slooten D10/97

* cited by examiner

Primary Examiner — Brett Miller

(74) *Attorney, Agent, or Firm* — Dorton and Willis LLP;
Ryan Willis

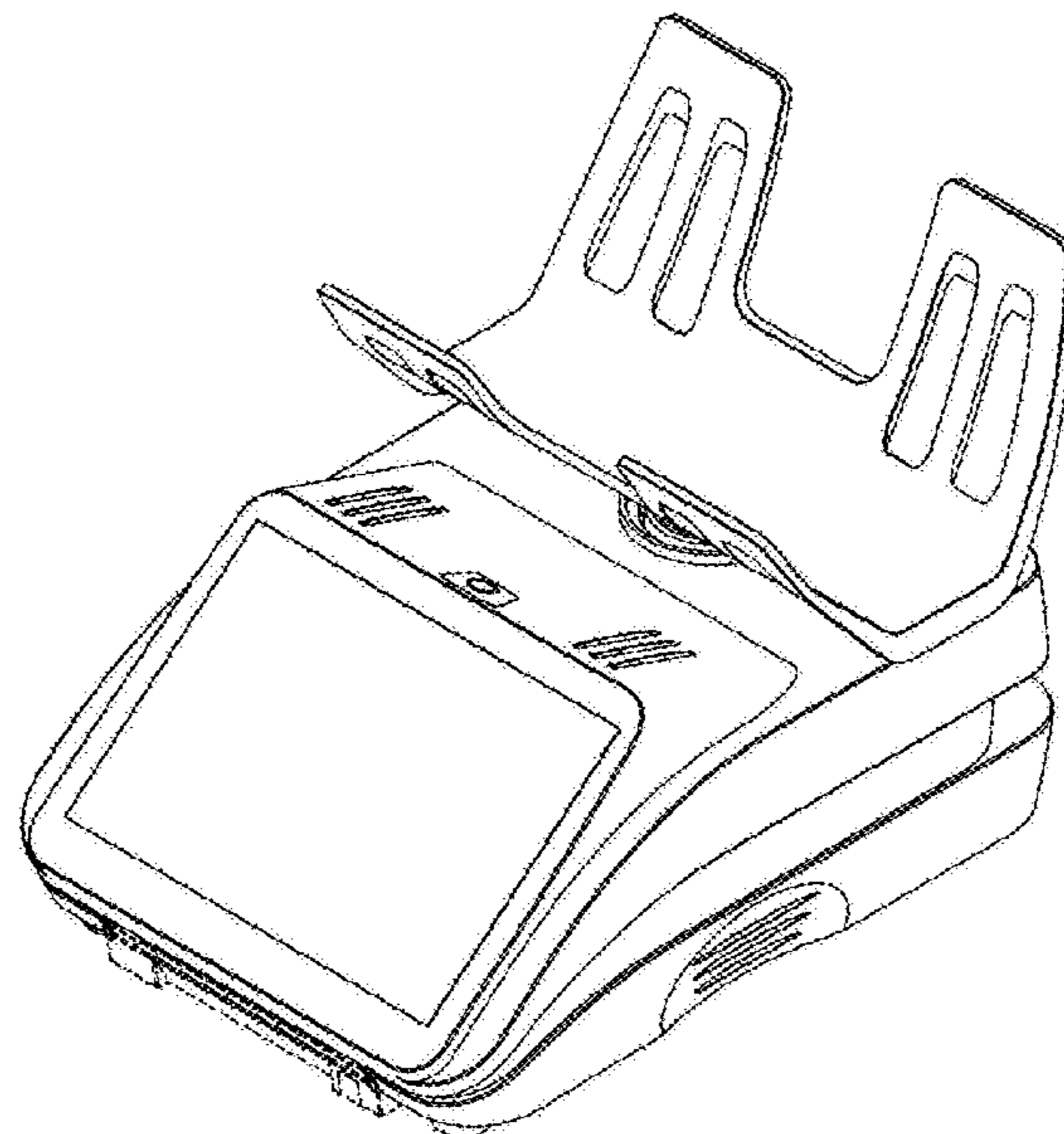
(57) **CLAIM**

We claim the ornamental design for a combined cash counter and printer, as shown and described.

DESCRIPTION

FIG. 1 is an elevated perspective view of a combined cash counter and printer in accordance with the present design. FIG. 2 is a rear view of the combined cash counter and printer shown in FIG. 1. FIG. 3 is a right side view of the combined cash counter and printer shown in FIG. 1. FIG. 4 is a left side view of the combined cash counter and printer shown in FIG. 1. FIG. 5 is a front view of the combined cash counter and printer shown in FIG. 1. FIG. 6 is a top view of the combined cash counter and printer shown in FIG. 1; and, FIG. 7 is a bottom view of the combined cash counter and printer shown in FIG. 1. Where the broken lines depict portions of the combined cash counter and printer that form no part of the claimed design.

1 Claim, 7 Drawing Sheets



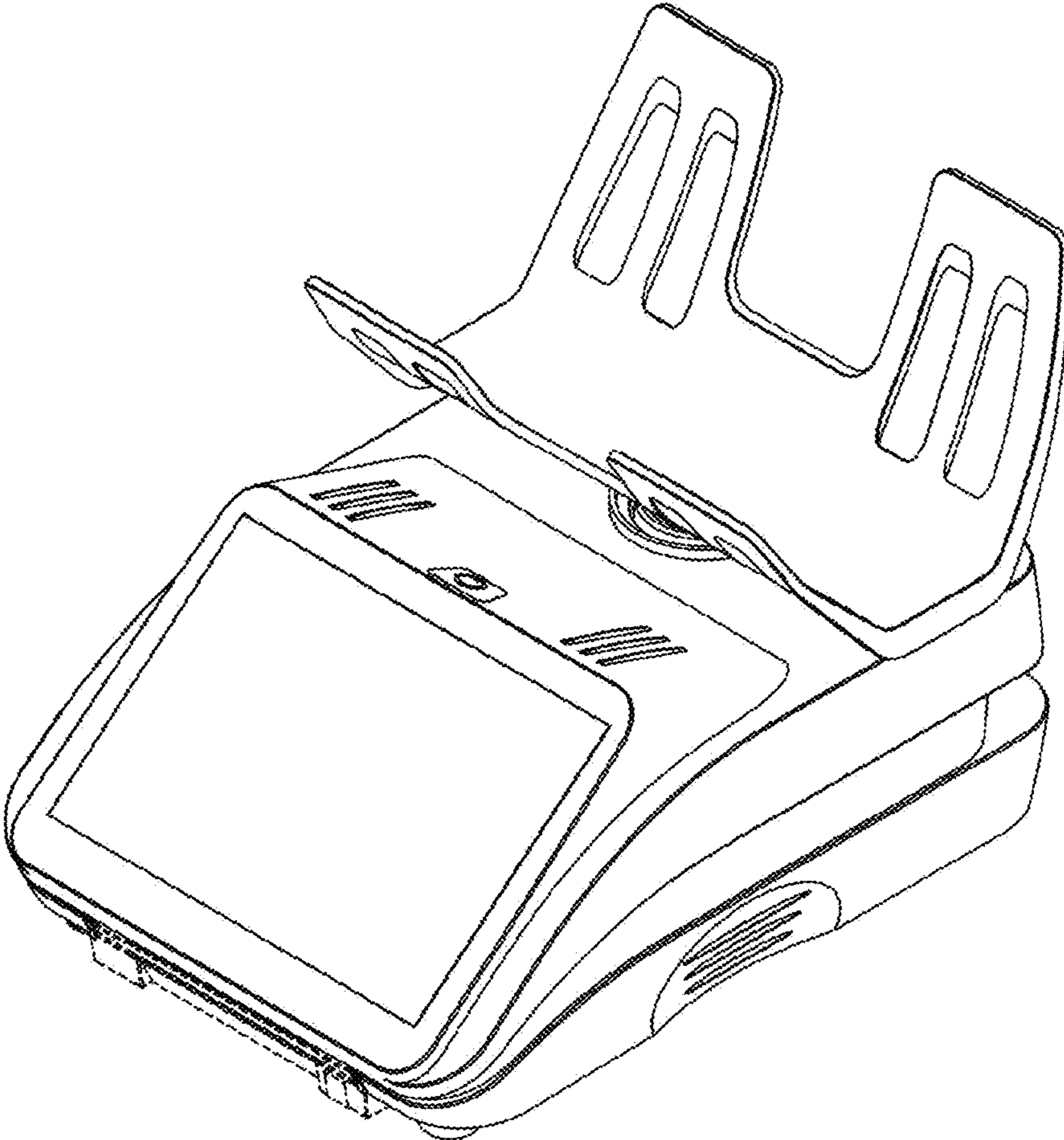


FIG. 1

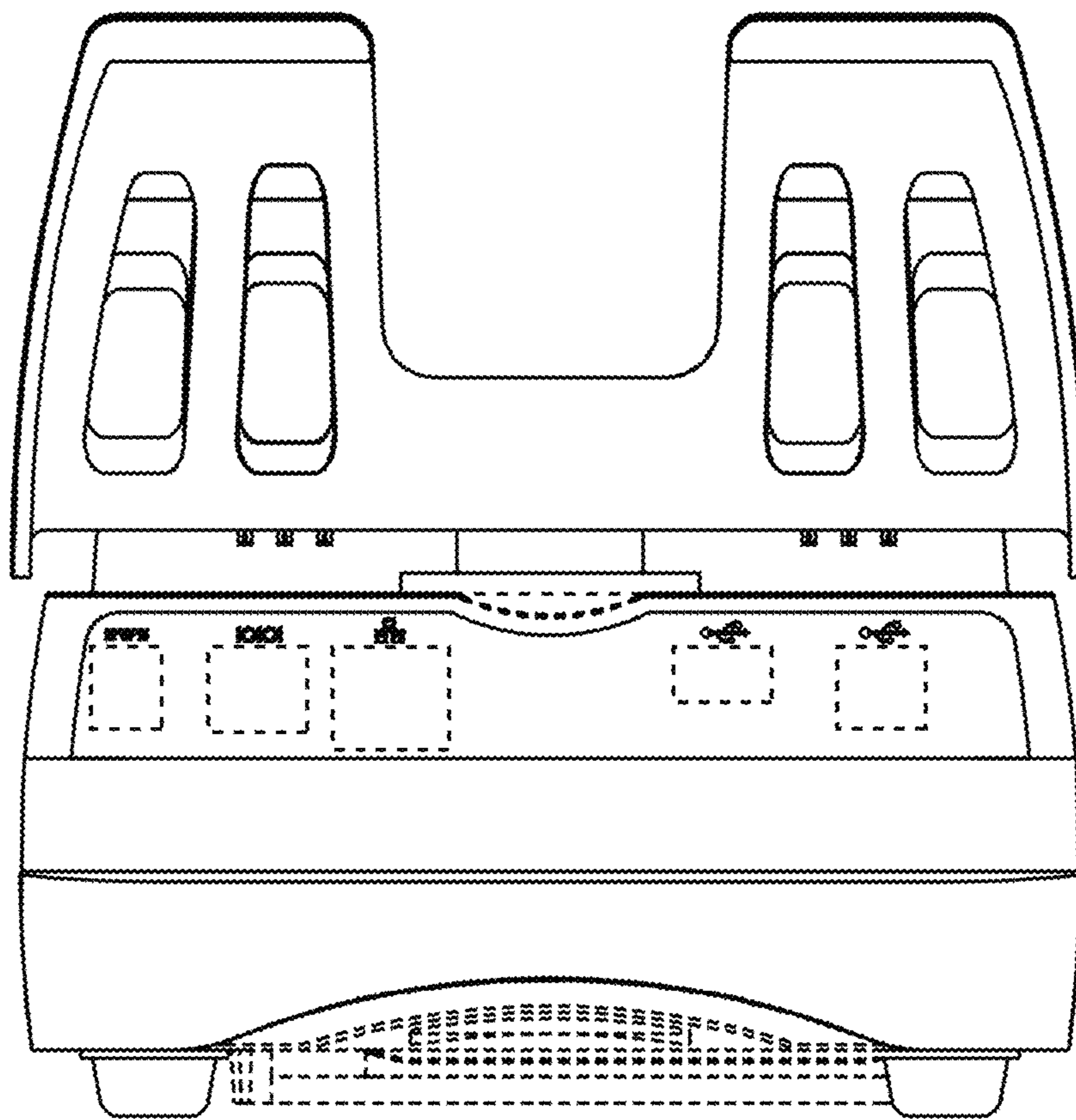


FIG. 2

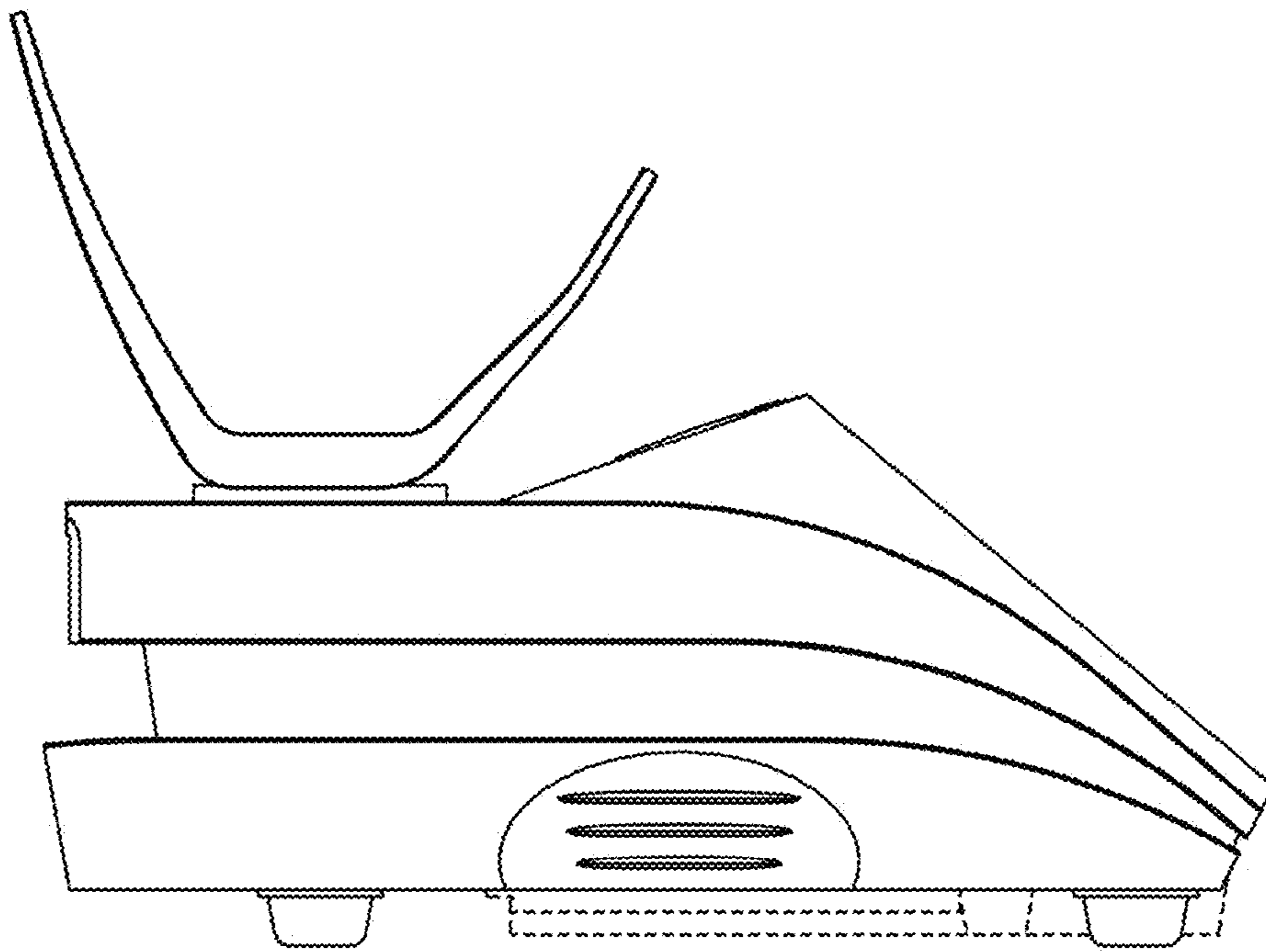


FIG. 3

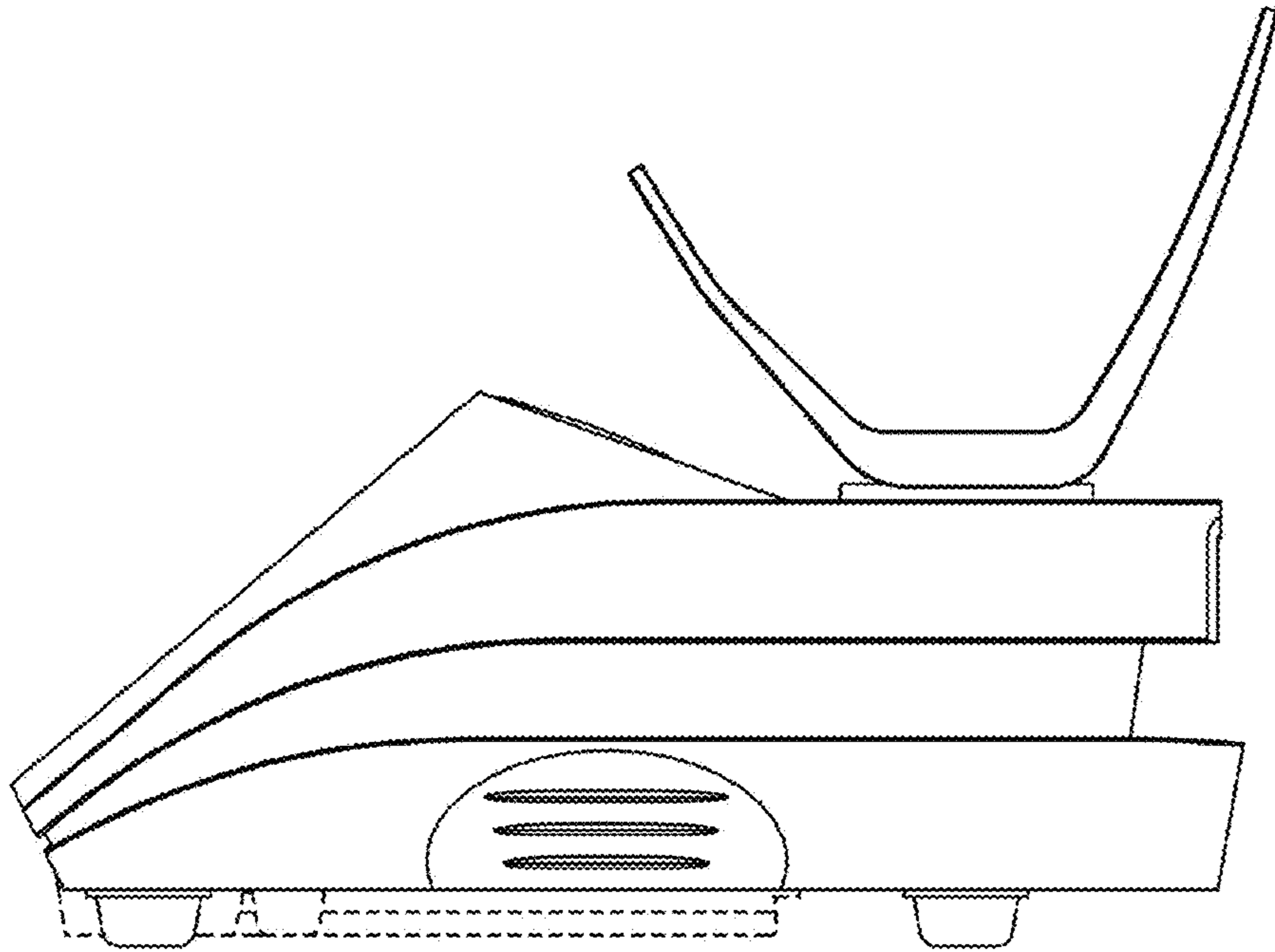


FIG. 4

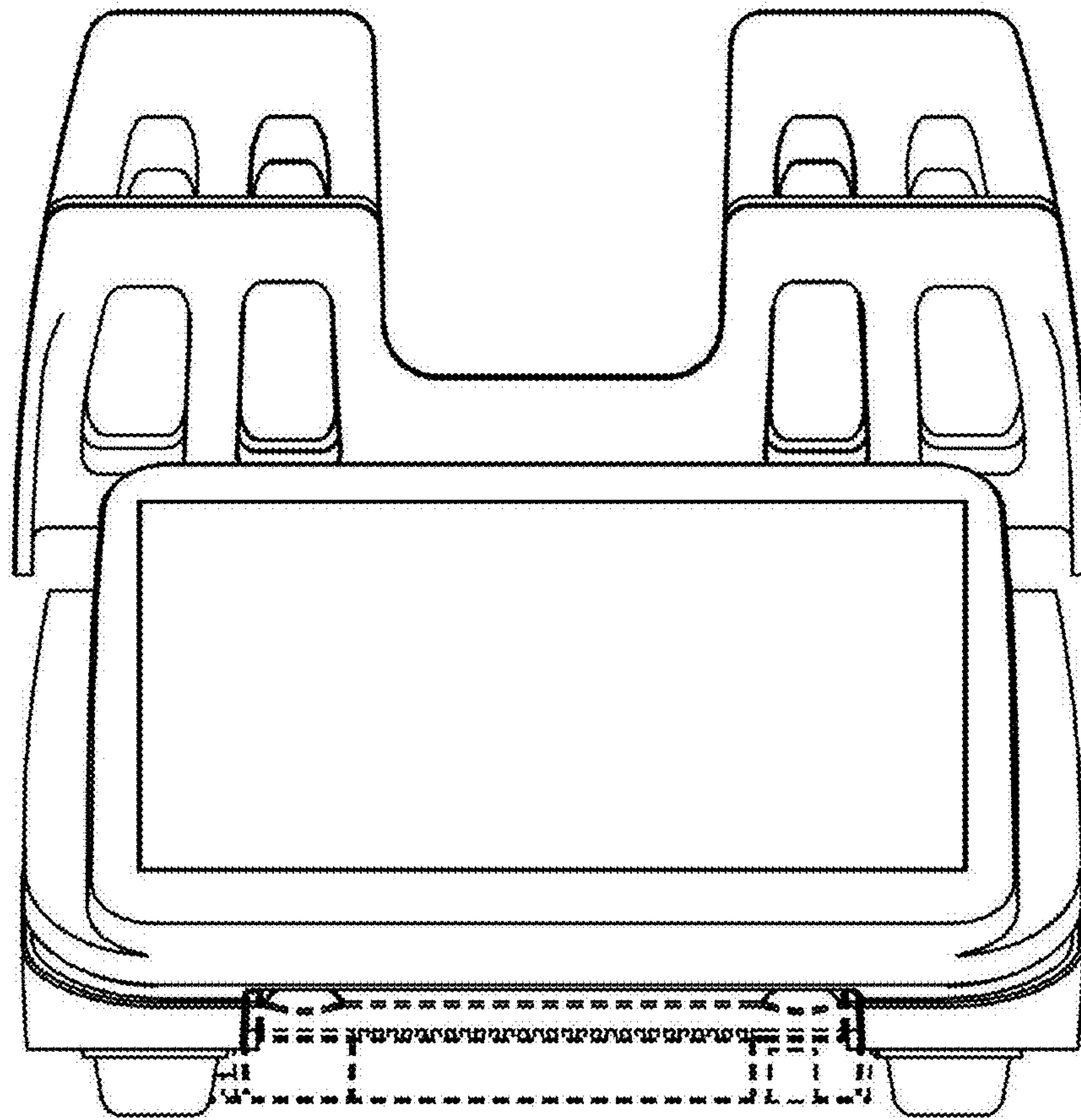


FIG. 5

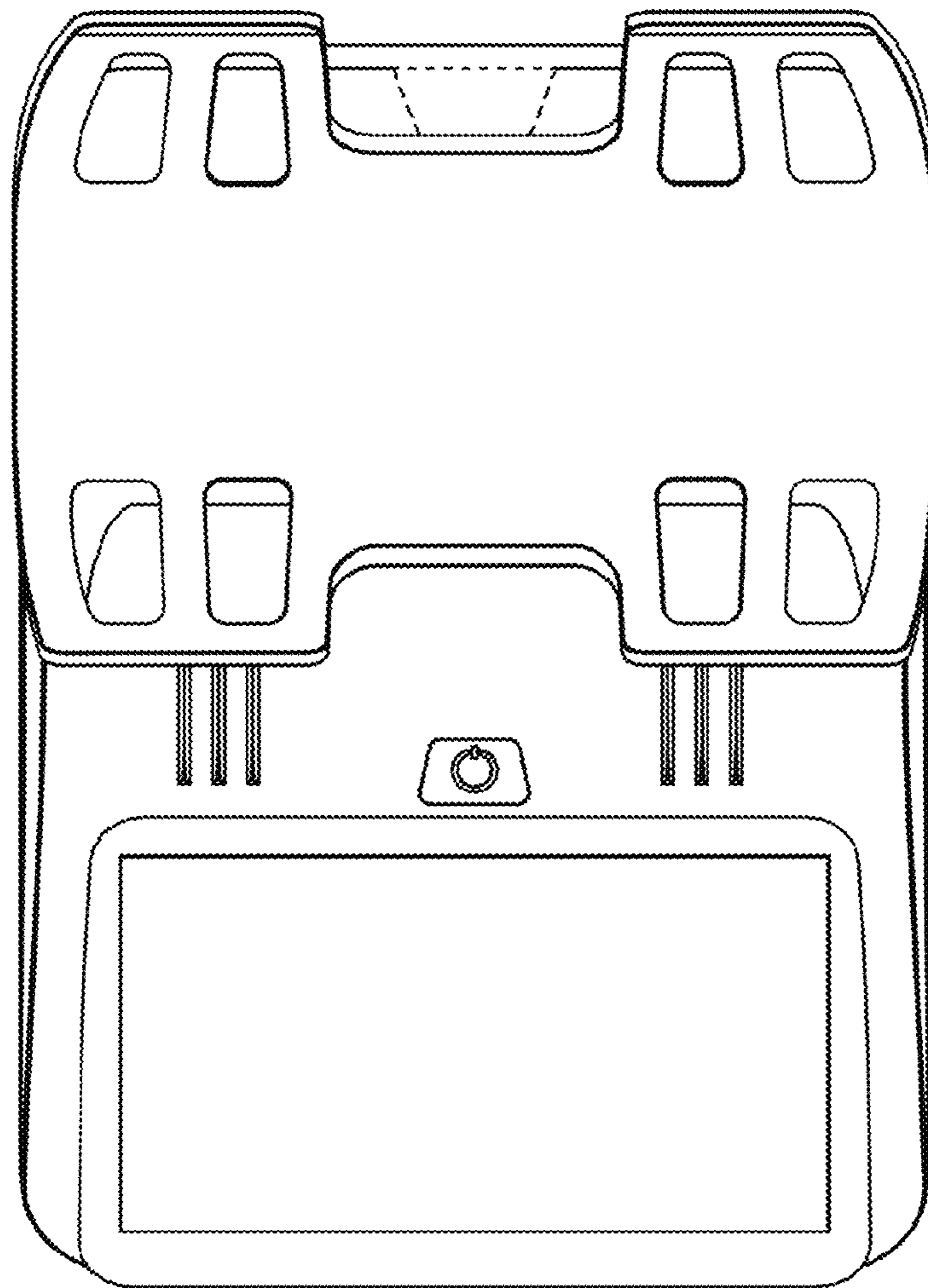


FIG. 6

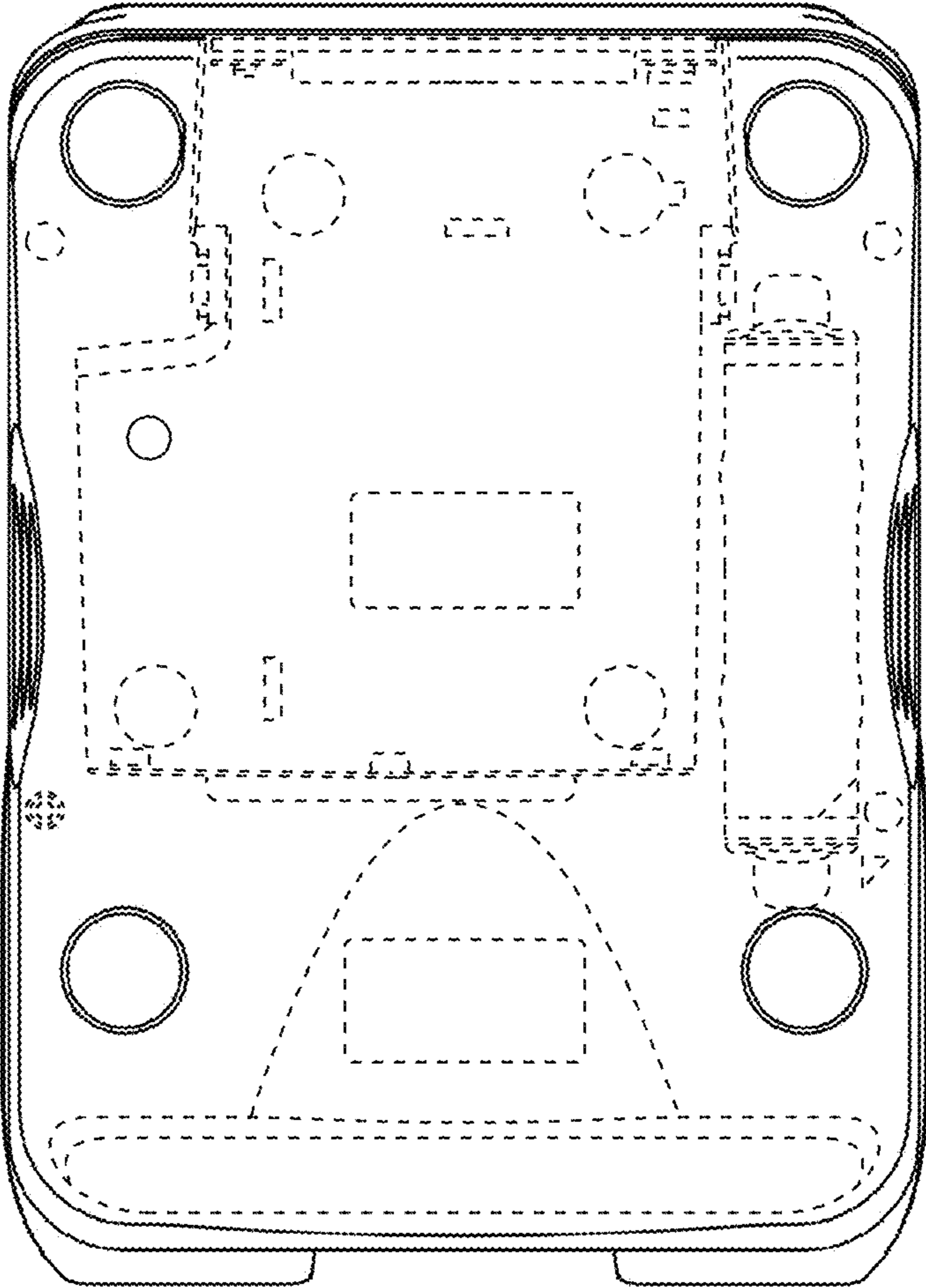


FIG. 7