



US00D844690S

(12) **United States Design Patent** (10) **Patent No.:** **US D844,690 S**  
**Laurans et al.** (45) **Date of Patent:** **\*\* Apr. 2, 2019**

(54) **CAMERA STAND**

(71) Applicant: **SimpliSafe, Inc.**, Boston, MA (US)

(72) Inventors: **Chad Laurans**, Brookline, MA (US);  
**Melina Engel**, Belmont, MA (US);  
**Yong Zhao**, Medford, MA (US); **Jason Robinson**, Tewksbury, MA (US);  
**Gregory Wolos**, Cambridge, MA (US);  
**Dirk Ahlgrim**, Boston, MA (US);  
**Nelson Dominique Stephane Arthur Schöller**, Wissant (FR)

D717,306 S \* 11/2014 Clouser ..... D14/447  
D730,719 S \* 6/2015 Sundberg ..... D8/354  
D741,866 S \* 10/2015 Ballout ..... D14/434  
D743,955 S \* 11/2015 Wu ..... D14/253  
D772,884 S \* 11/2016 Oberpriller ..... G06K 7/1095  
D14/253  
D776,667 S \* 1/2017 Fujioka ..... D14/447  
D788,206 S \* 5/2017 Wengreen ..... D16/242  
D805,076 S \* 12/2017 Hong ..... D14/388  
D809,905 S \* 2/2018 Gunderson ..... D8/371  
D810,807 S \* 2/2018 Lindquist ..... D16/215  
D816,656 S \* 5/2018 Kim ..... D14/253  
D819,715 S \* 6/2018 Laurans ..... D16/203

(Continued)

(73) Assignee: **SimpliSafe, Inc.**, Boston, MA (US)

(\*\*) Term: **15 Years**

(21) Appl. No.: **29/609,400**

(22) Filed: **Jun. 30, 2017**

(51) **LOC (11) Cl.** ..... **16-05**

(52) **U.S. Cl.**  
USPC ..... **D16/244**

(58) **Field of Classification Search**  
USPC ..... D16/203, 208, 213–219, 235–250;  
D14/217, 229, 250–253; D8/353, 362,  
D8/371, 394  
CPC ..... G03B 17/02–17/04; G03B 17/14; G03B  
17/56; G03B 17/561–17/568; G03B  
21/20; G02B 7/00–7/002; F16M 11/02;  
F16M 11/04; F16M 11/20; F16M 11/40  
See application file for complete search history.

(56) **References Cited**

**U.S. PATENT DOCUMENTS**

D376,805 S \* 12/1996 Johansson ..... D14/253  
D643,457 S \* 8/2011 DeLong ..... 16/219  
D647,946 S \* 11/2011 Raken ..... D16/242  
D656,175 S \* 3/2012 Fong ..... D16/244  
D688,670 S \* 8/2013 Huang ..... D14/447

**OTHER PUBLICATIONS**

SimpliCam 24/7 HD Security Camera. Online, published date May 4, 2017. Retrieved on Jun. 13, 2018 from URL: <https://www.amazon.com/SimpliCam-24-HD-Security-Camera/dp/B07195DM19>.\*

(Continued)

*Primary Examiner* — Karen S Acker

*Assistant Examiner* — Omeed Agilee

(74) *Attorney, Agent, or Firm* — Wolf, Greenfield & Sacks, P.C.

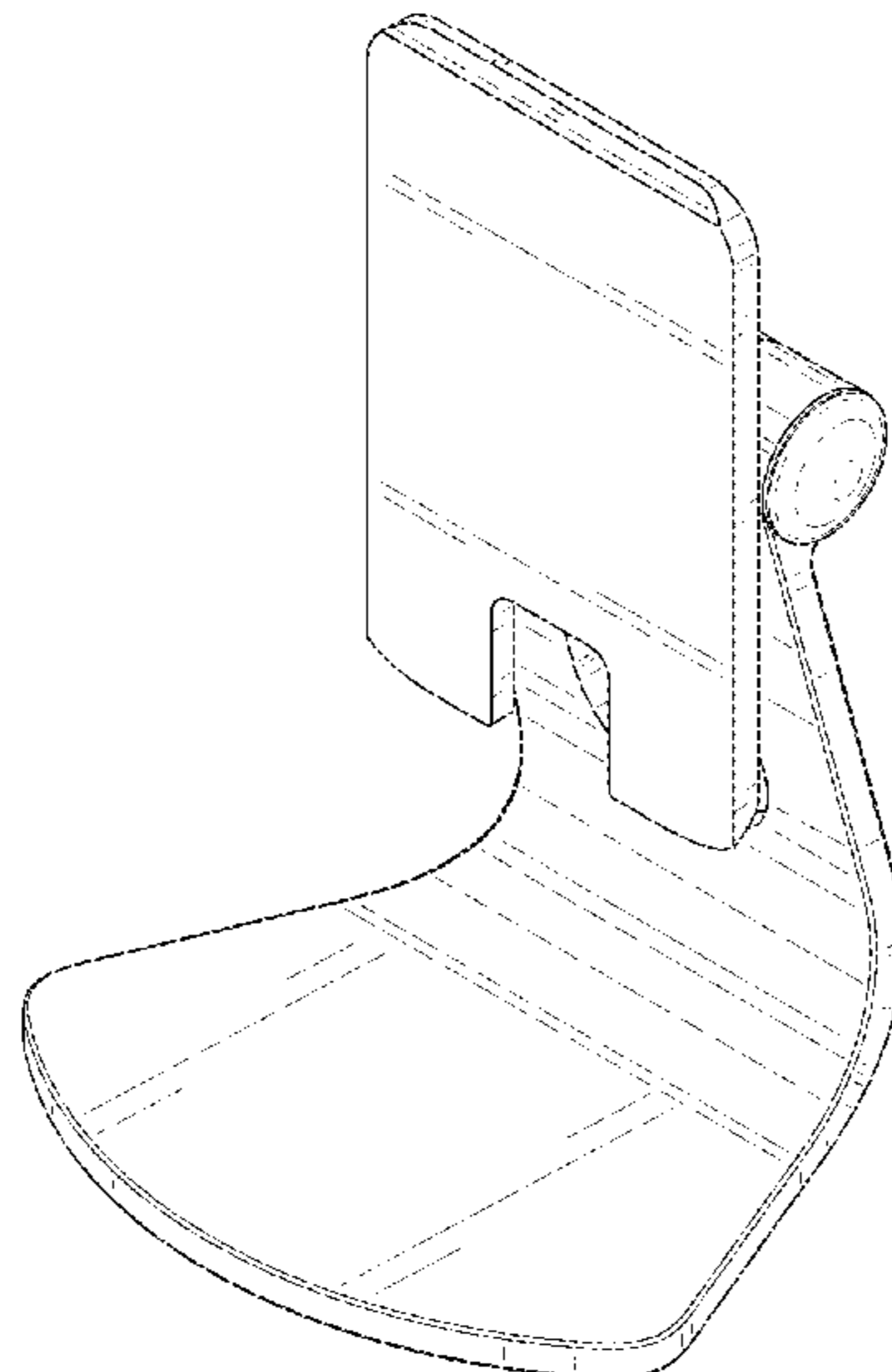
(57) **CLAIM**

The ornamental design for a camera stand, as shown and described.

**DESCRIPTION**

FIG. 1 is a front, right perspective view of the camera stand;  
FIG. 2 is a rear, right perspective view thereof;  
FIG. 3 is a front view thereof;  
FIG. 4 is a rear view thereof;  
FIG. 5 is a left side view thereof;  
FIG. 6 is a right side view thereof;  
FIG. 7 is a top view thereof; and,  
FIG. 8 is a bottom view thereof.

**1 Claim, 8 Drawing Sheets**



(56)

**References Cited**

U.S. PATENT DOCUMENTS

2014/0130334 A1\* 5/2014 Chun ..... F16M 11/041  
29/525.01  
2015/0002736 A1\* 1/2015 Chen ..... H04N 5/2251  
348/373

OTHER PUBLICATIONS

Acumen D01 1280\*720P Wireless Home Use IP Camera (Black).  
Online, published date unknown. Retrieved on Jun. 12, 2018 from  
URL: <http://arirobot.com/acumen-d01-1280-720p-wireless-home-use-ip-camera-black/>.\*

Is this New Security System Trustworthy and Worth the Cost?  
Online, published date unknown. Retrieved on Jun. 12, 2018 from  
URL: <https://alarm-reviews.net/piper-home-security/>.\*

\* cited by examiner

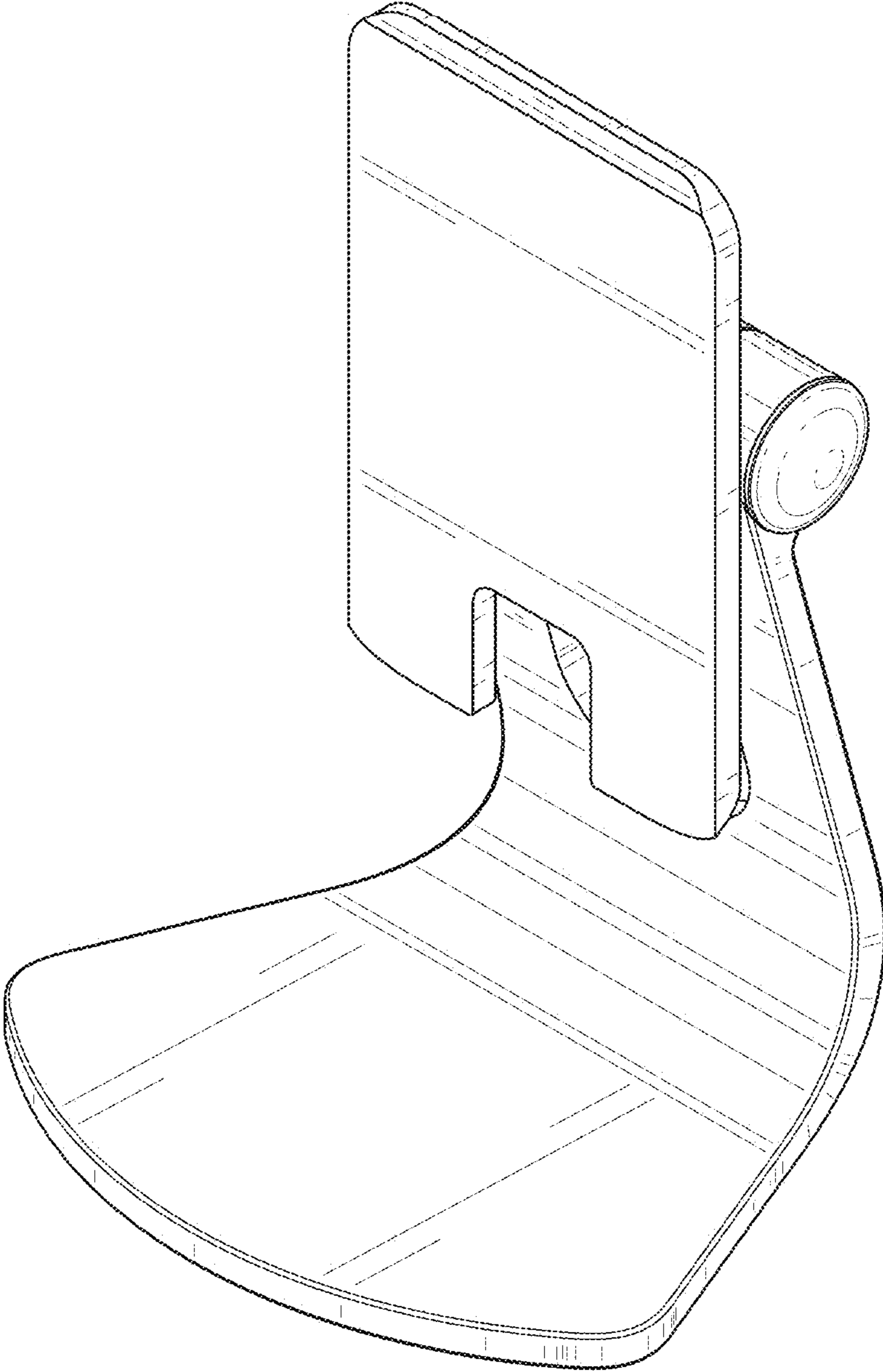


FIG. 1

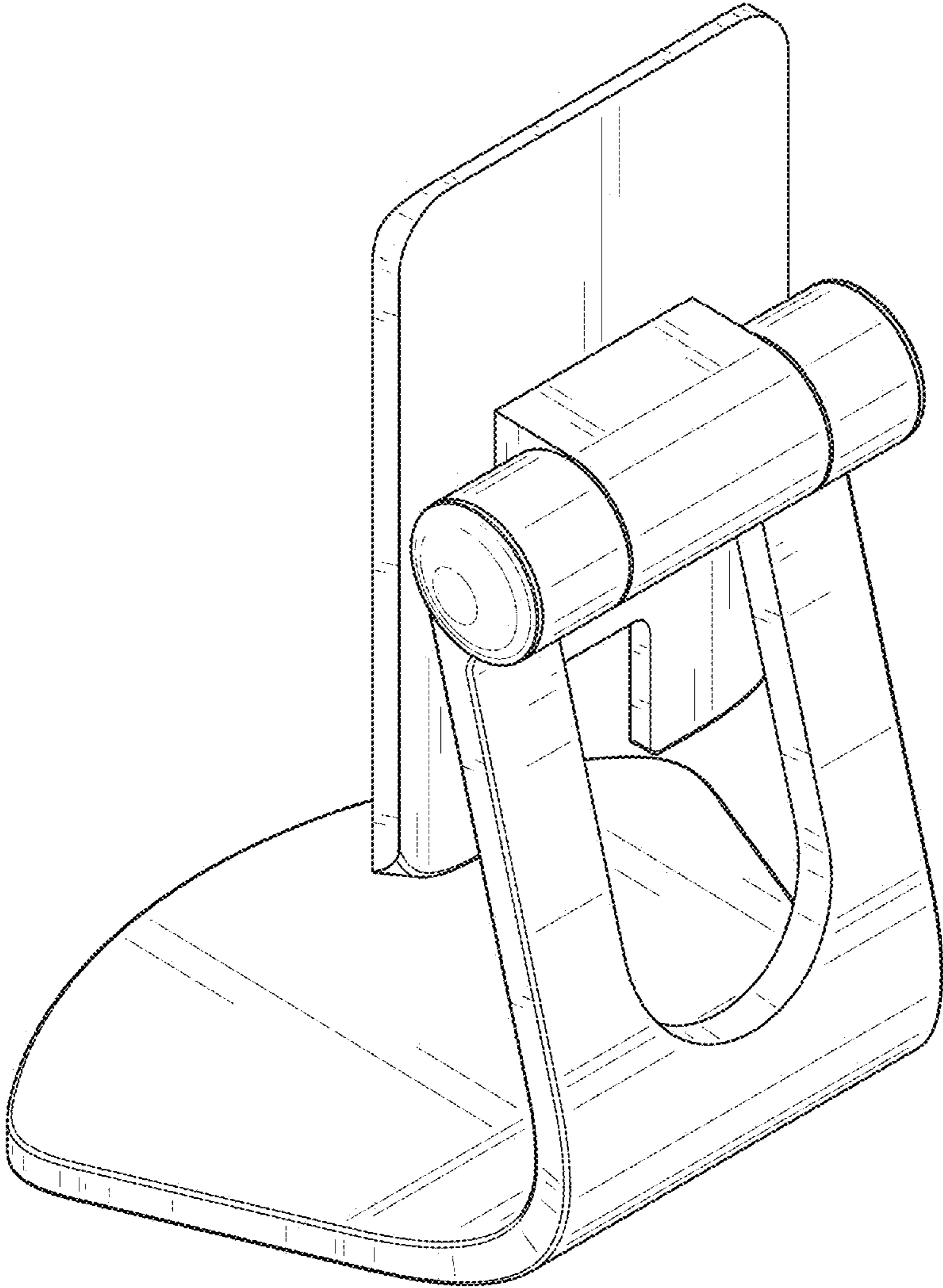


FIG. 2

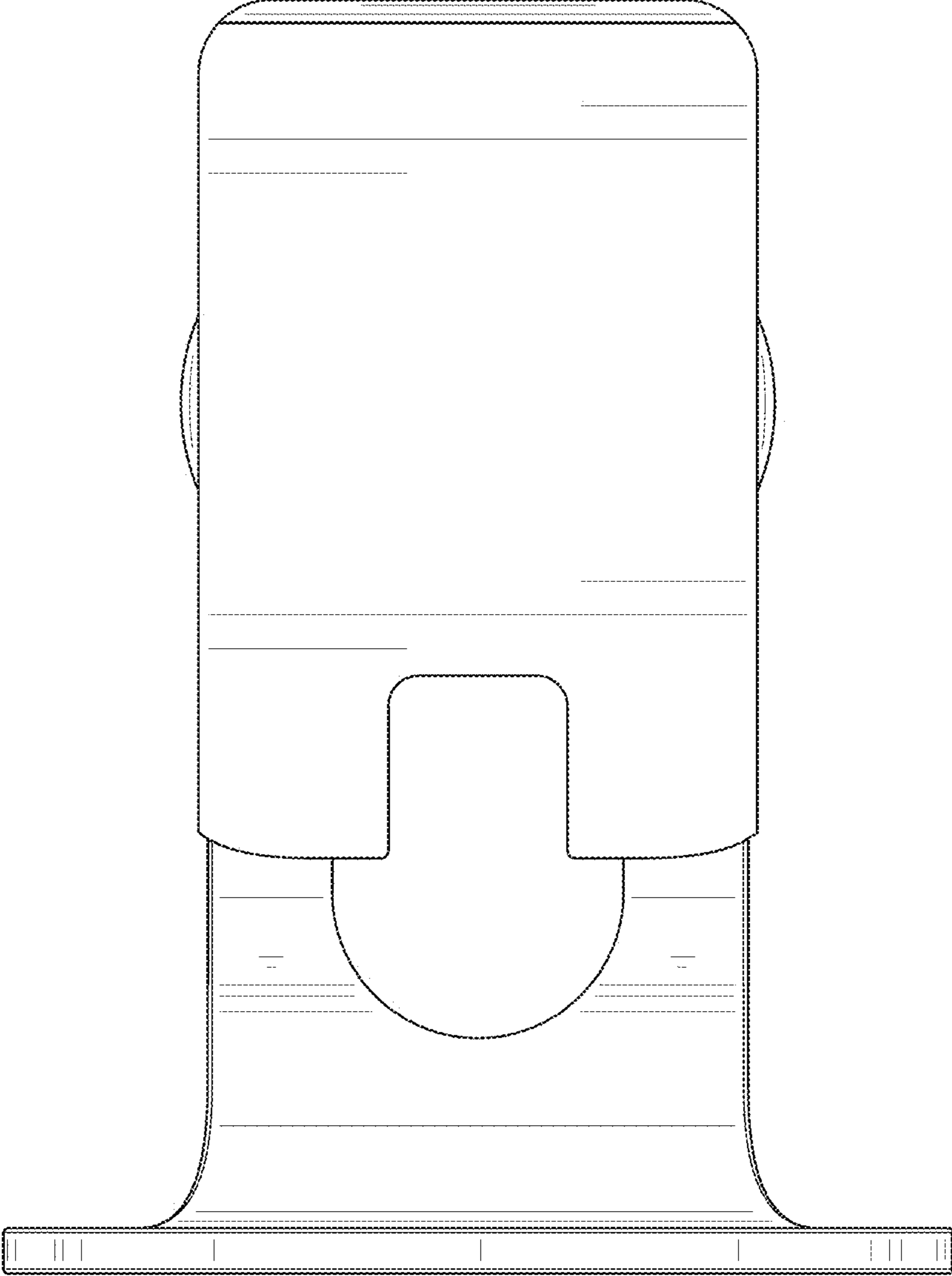


FIG. 3

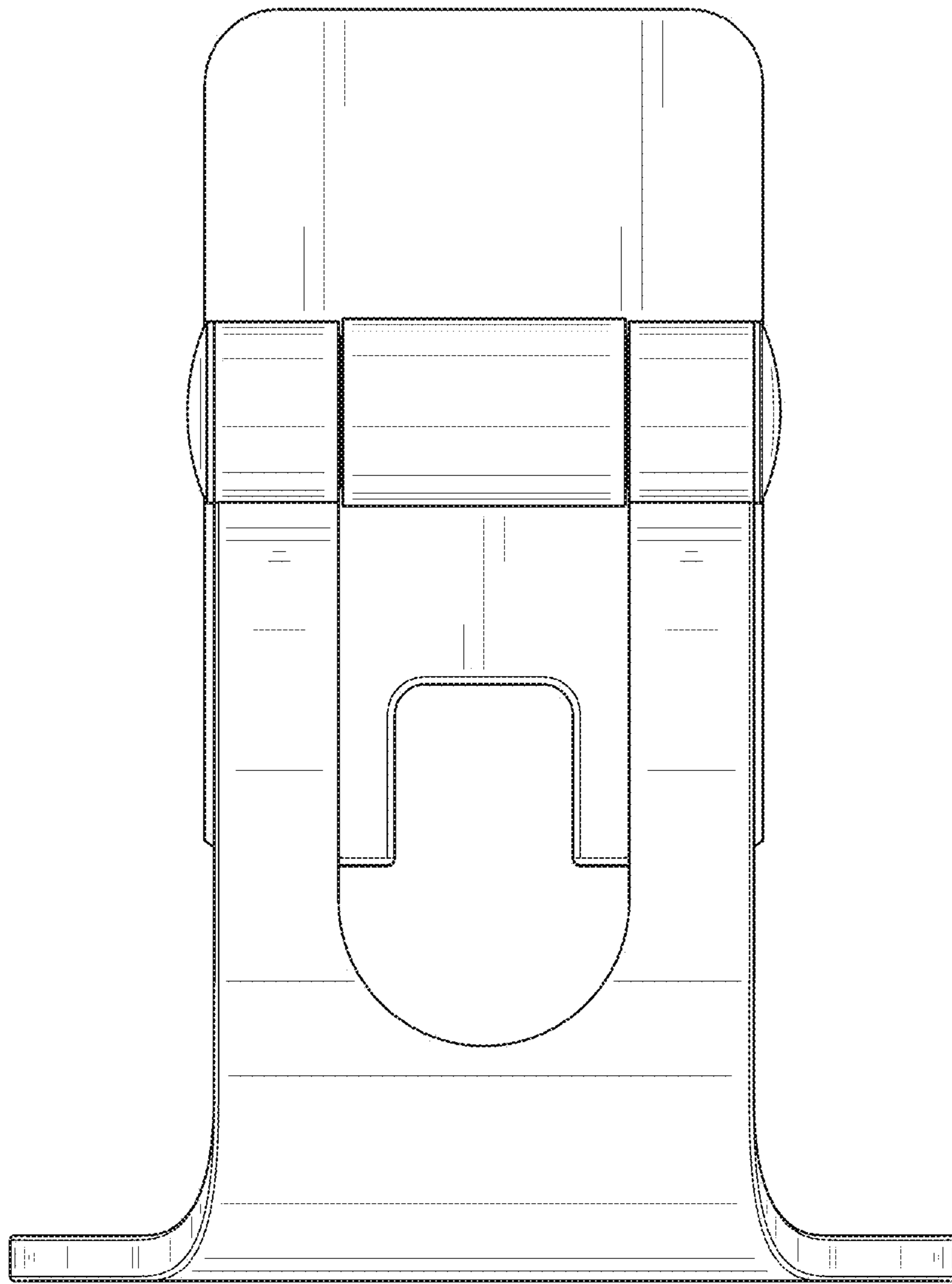


FIG. 4

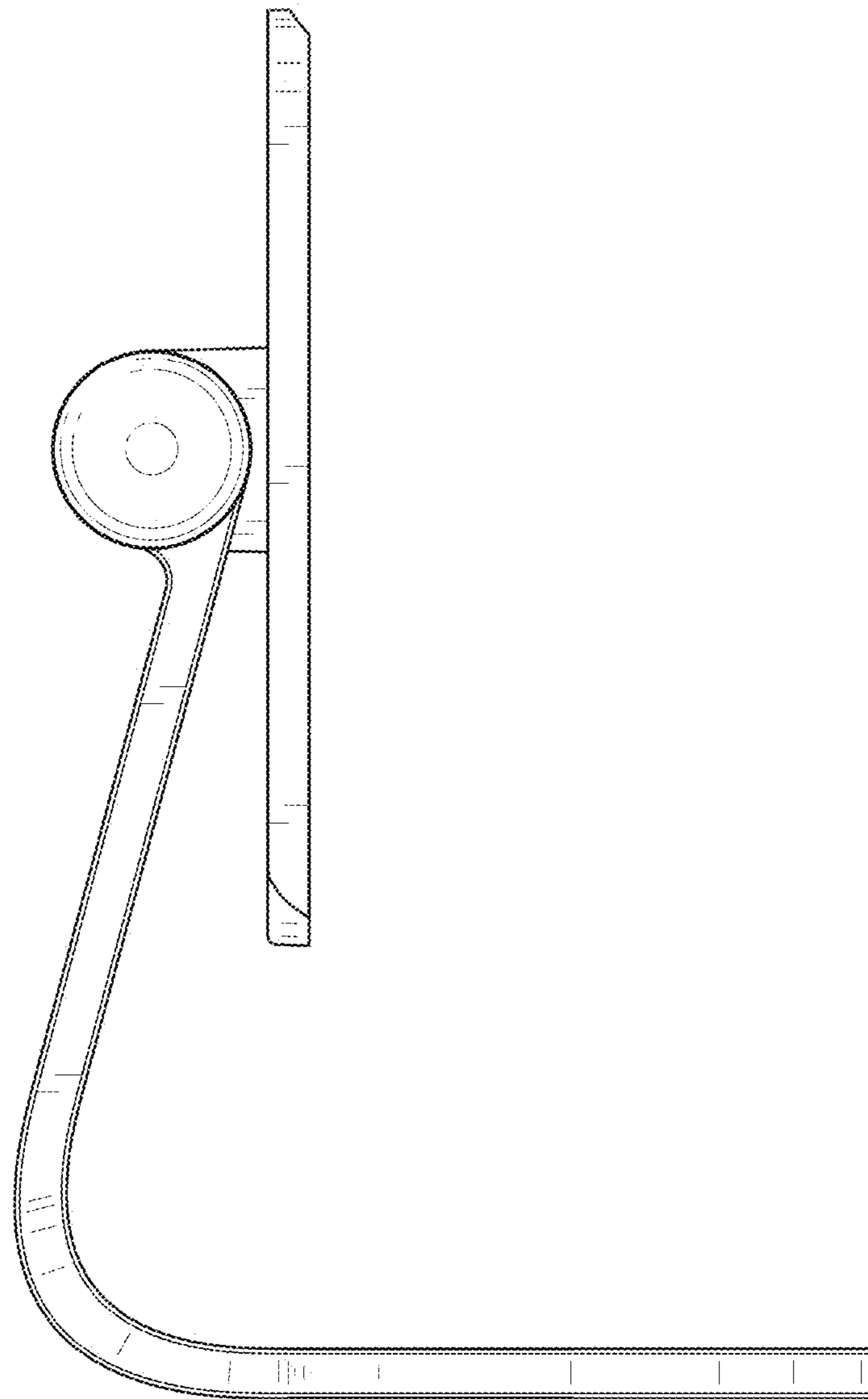


FIG. 5

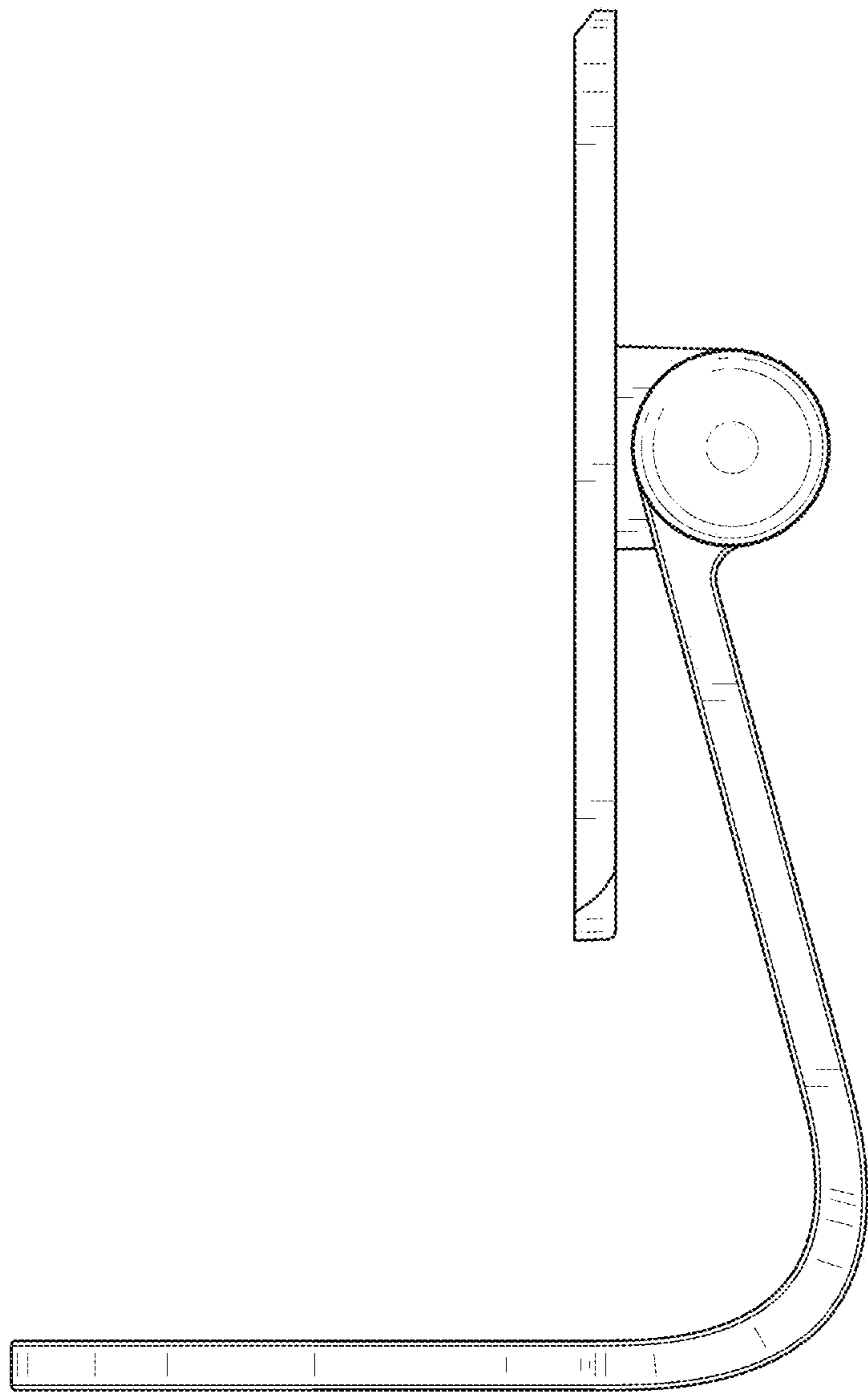


FIG. 6



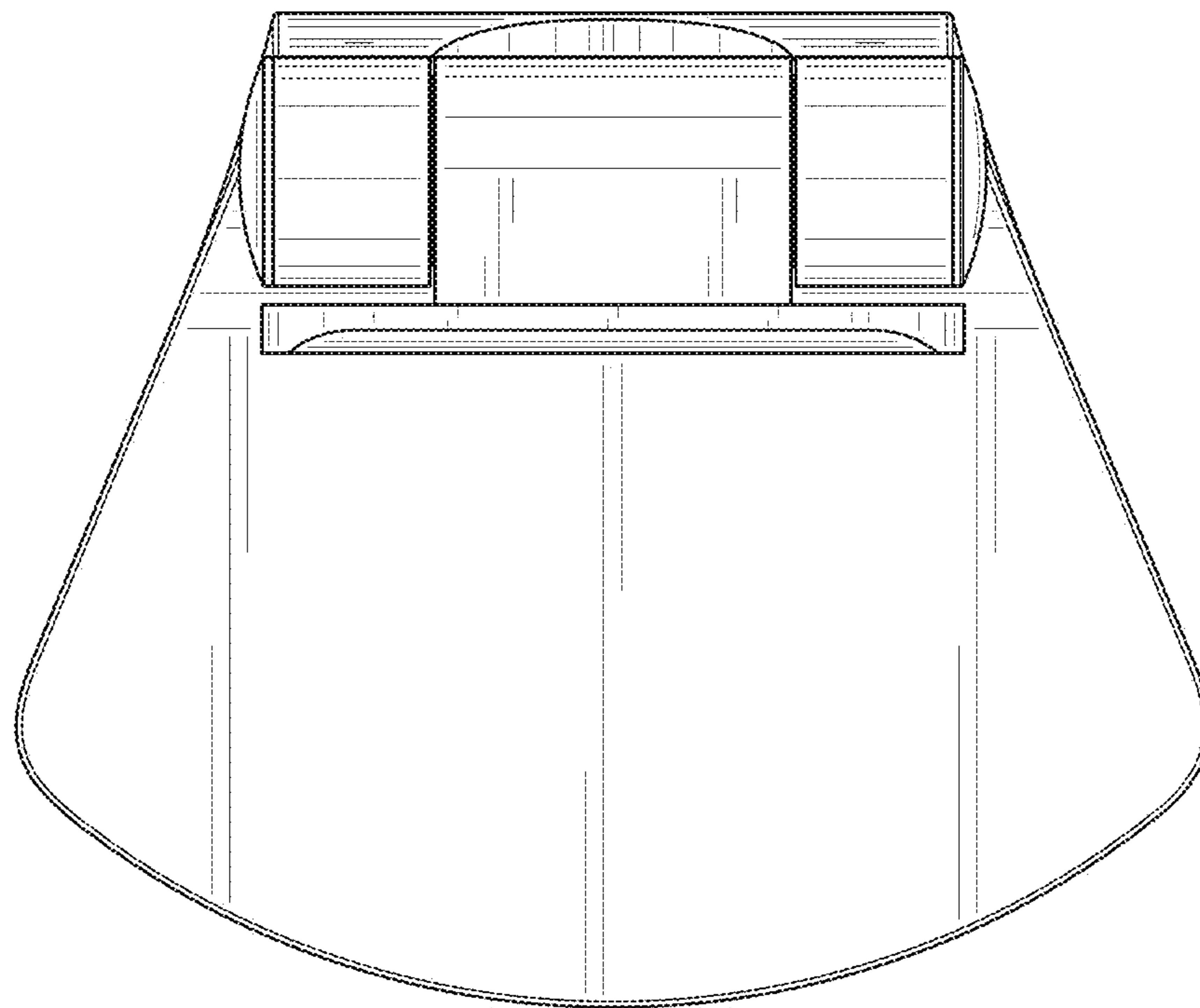


FIG. 7

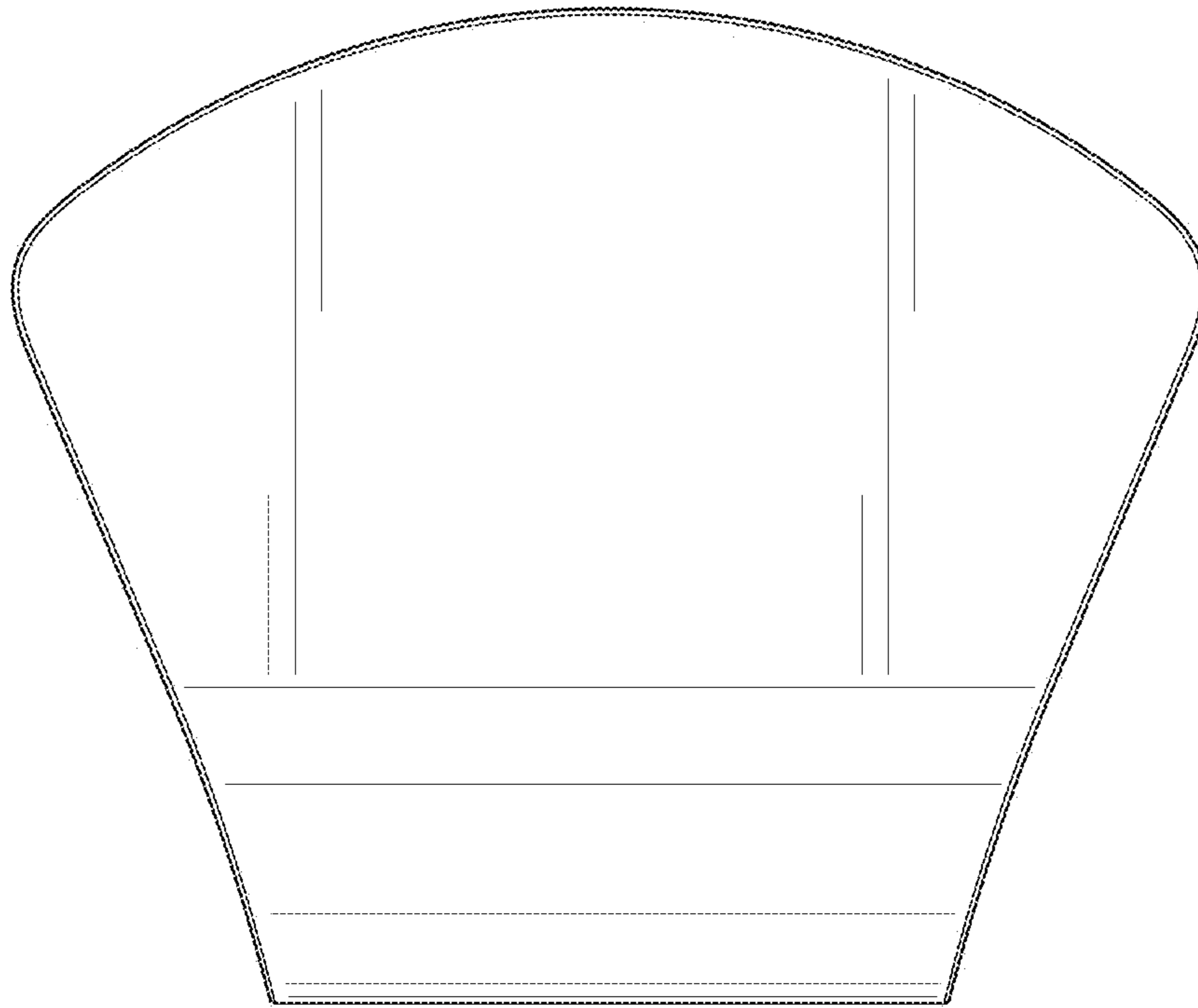


FIG. 8