



US00D844689S

(12) **United States Design Patent** (10) **Patent No.:** **US D844,689 S**
Wilson (45) **Date of Patent:** **** Apr. 2, 2019**

(54) **GIMBAL LOCK**
(71) Applicant: **Tyler Wilson**, Ponca City, OK (US)
(72) Inventor: **Tyler Wilson**, Ponca City, OK (US)
(73) Assignee: **Jeffrey Overall**, Fountain Valley, CA (US)
(**) Term: **15 Years**
(21) Appl. No.: **29/667,892**
(22) Filed: **Oct. 25, 2018**
(51) **LOC (11) Cl.** **16-05**
(52) **U.S. Cl.**
USPC **D16/237**
(58) **Field of Classification Search**
USPC D16/130, 136, 235, 242, 245; D14/217, D14/239, 251
See application file for complete search history.

D753,205 S 4/2016 Stark
D764,565 S * 8/2016 Tekunoff D16/242
9,454,066 B2 * 9/2016 O'Neill G03B 17/565
D785,073 S 4/2017 Wang
D815,182 S * 4/2018 Sugawara D16/235
D826,398 S * 8/2018 Eaton D24/128
D831,097 S * 10/2018 Burch, V D16/242

OTHER PUBLICATIONS

Polar Pro Gimbal Lock for DJI Spark Drone. [online]. Retrieved Dec. 6, 2018 from URL: <https://www.adorama.com/ppsprkglock.html>.
Eissely New Gimbal Lock Clamp Camera Cover Protector PTZ Holder for DJI Mavic Pro Drone-Gray. [online] Retrieved Dec. 6, 2018 from URL: <https://www.jumia.co.ke/eissely-new-gimbal-lock-clamp-camera-cover-protector-ptz-holder-for-dji-mavic-pro-drone-gray-2822493.html>.
Mavic Gimbal Lock. [online] Retrieved Dec. 6, 2018 from URL: <https://www.maverickdrone.com/products/mavic-gimbal-lock>.

* cited by examiner

Primary Examiner — Vy N Koenig

(56) **References Cited**
U.S. PATENT DOCUMENTS

D383,950 S 9/1997 Muschett
D545,812 S * 7/2007 Grady D14/217
D558,881 S * 1/2008 Kobayashi D16/130
D577,856 S 9/2008 Kim
D591,324 S 4/2009 Sukhov
8,099,138 B2 * 1/2012 Piekarz B60R 11/0241
248/309.1
D663,350 S * 7/2012 O'Donnell D16/242
8,279,544 B1 * 10/2012 O'Neill G02B 7/14
359/827
D684,144 S * 6/2013 Palance D14/217
D740,877 S * 10/2015 Yuyama D16/235
D741,934 S 10/2015 Stark

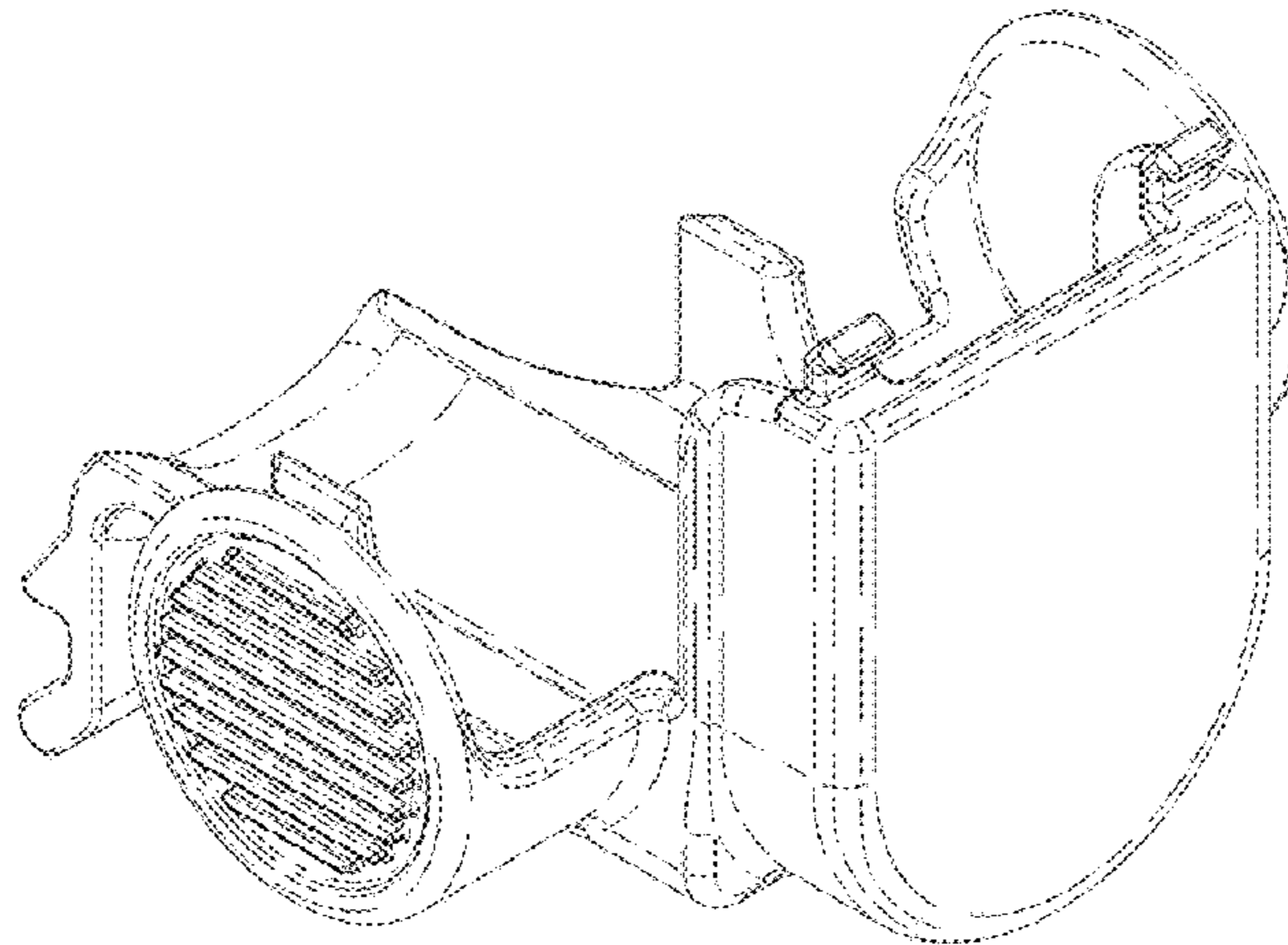
(57) **CLAIM**

The ornamental design for a gimbal lock, as shown and described.

DESCRIPTION

FIG. 1 is a top perspective view of a gimbal lock.
FIG. 2 is a front view thereof.
FIG. 3 is a rear view thereof.
FIG. 4 is a left-side view thereof.
FIG. 5 is a right-side view thereof.
FIG. 6 is a top side view thereof; and,
FIG. 7 is a bottom side view thereof.

1 Claim, 4 Drawing Sheets



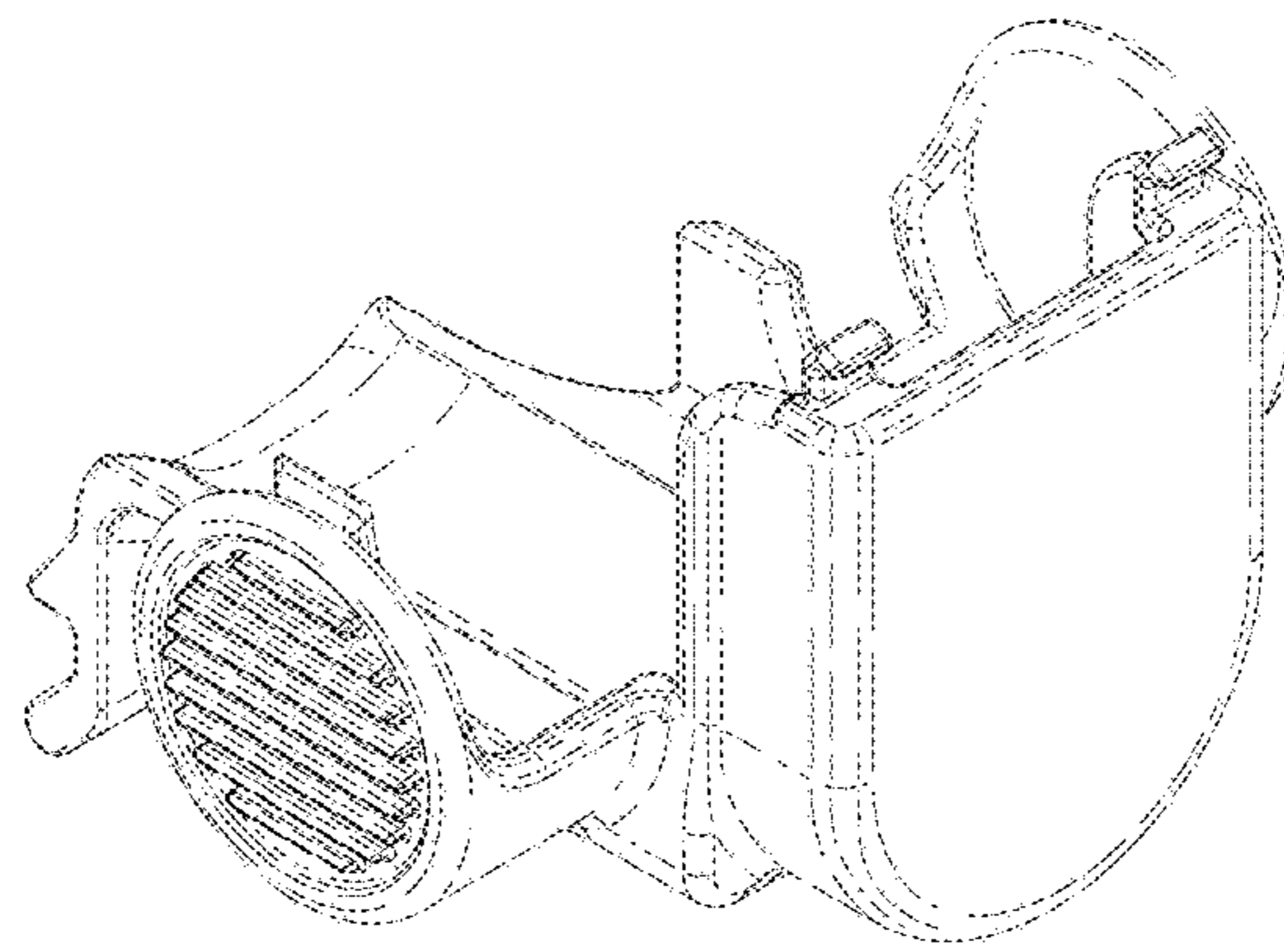


FIG. 1

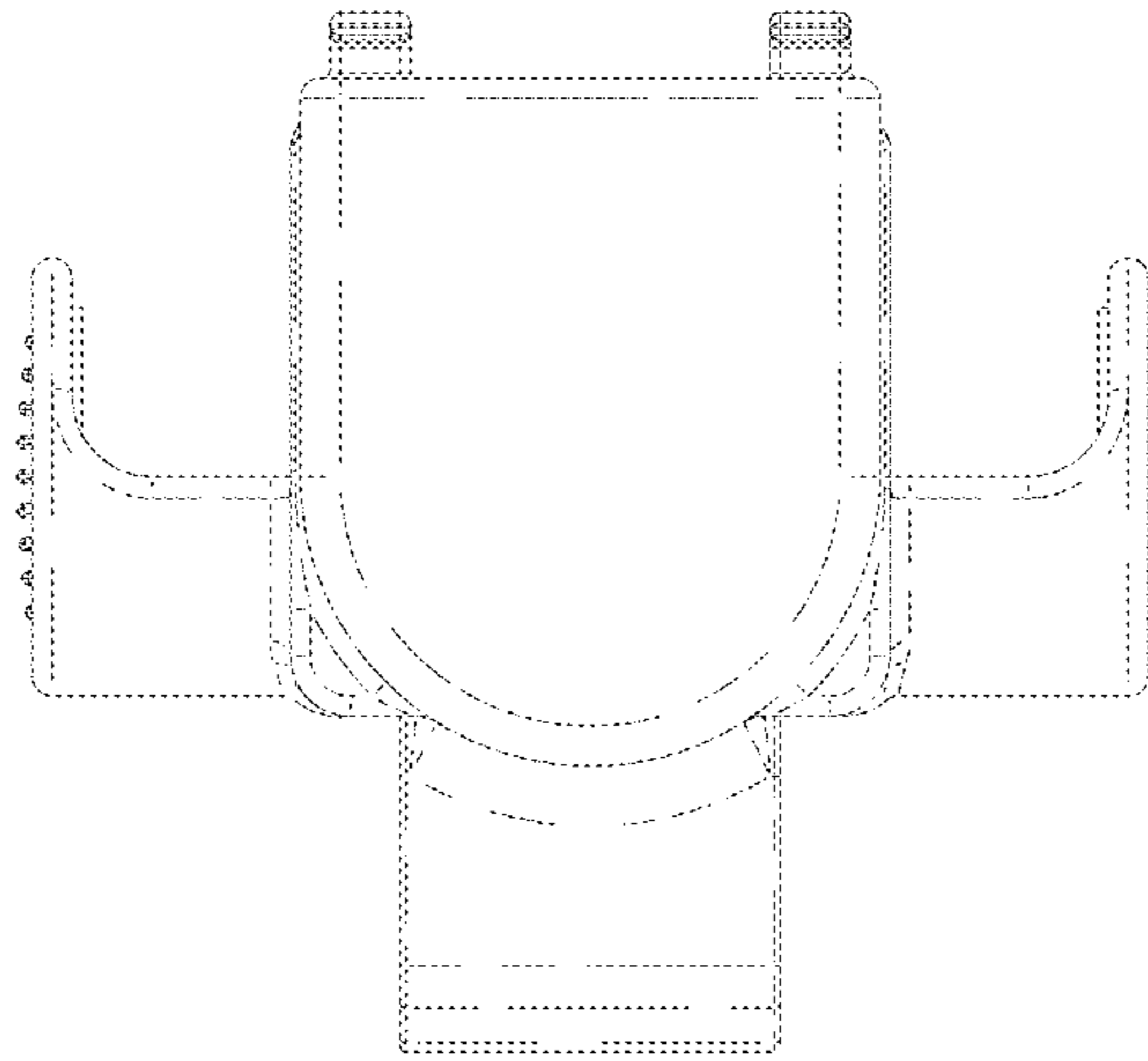


FIG. 2

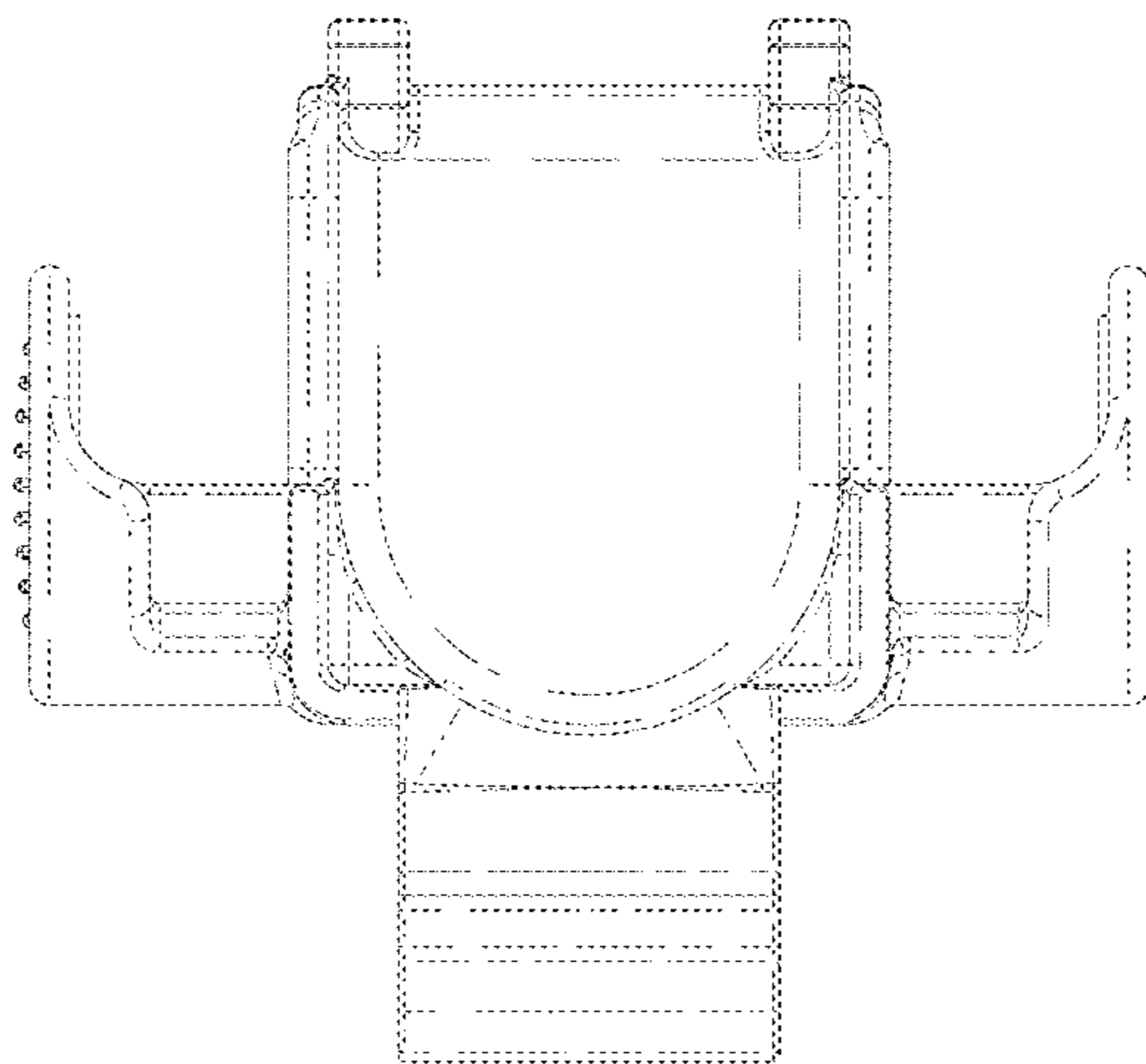


FIG. 3

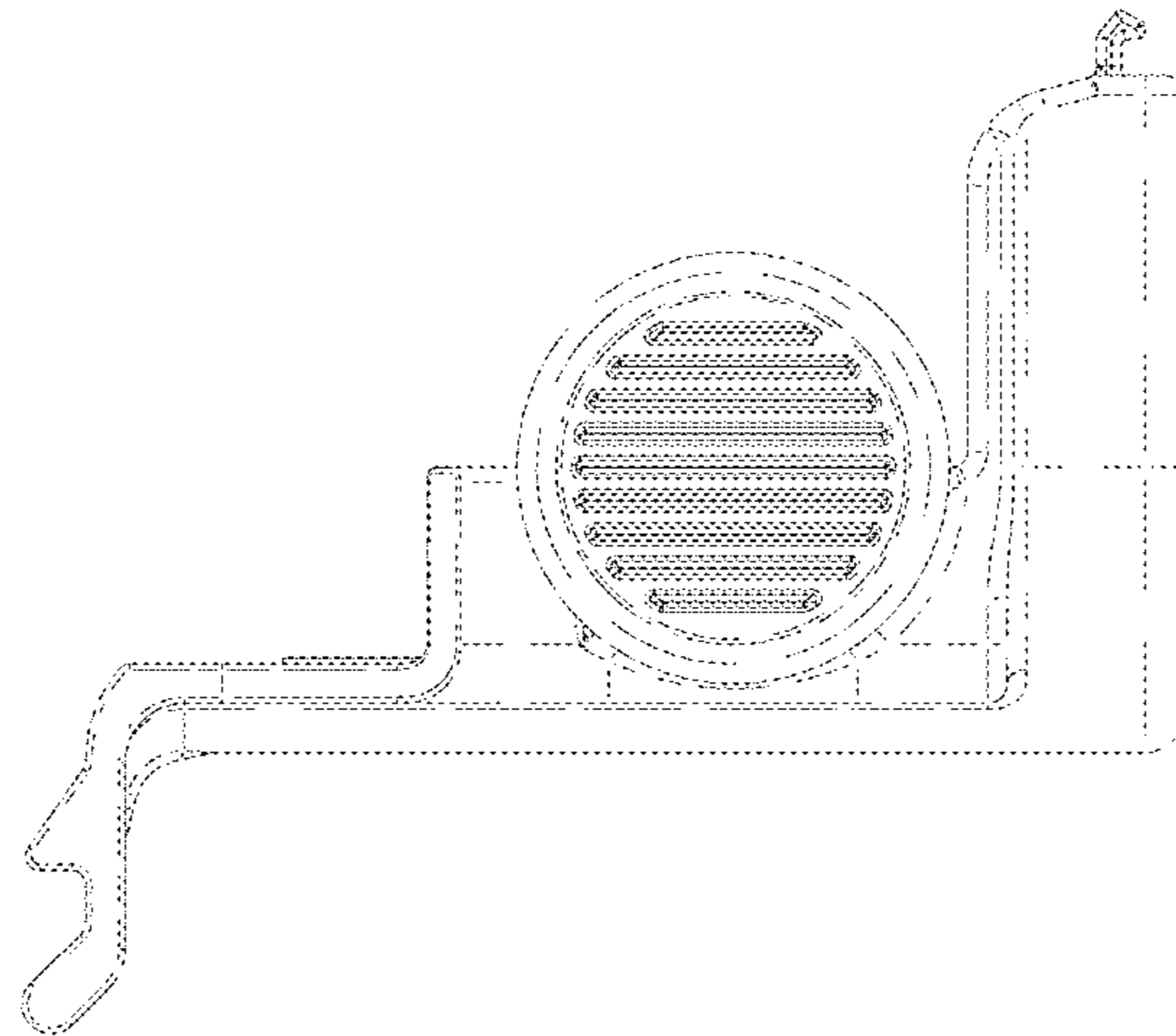


FIG. 4

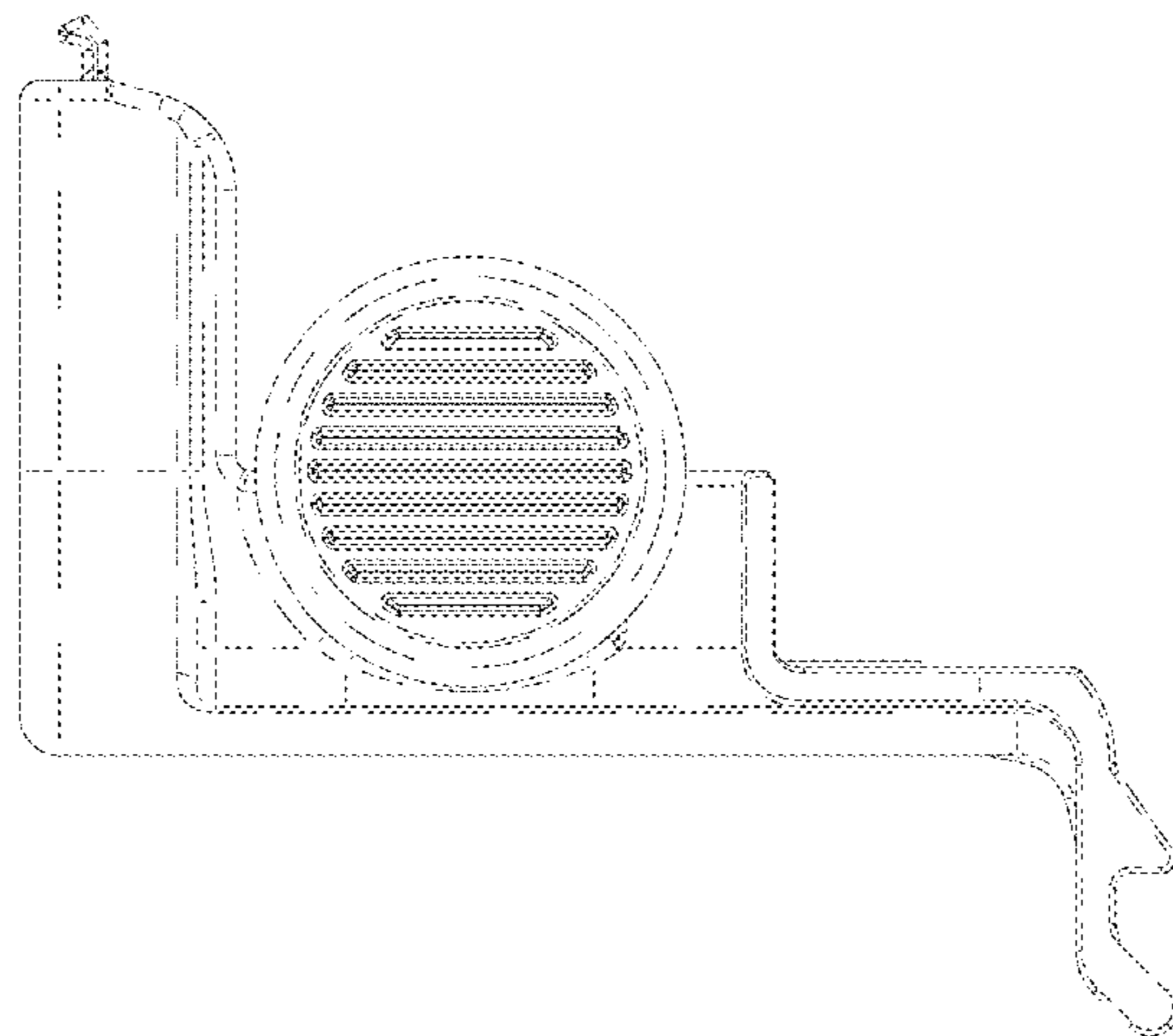


FIG. 5

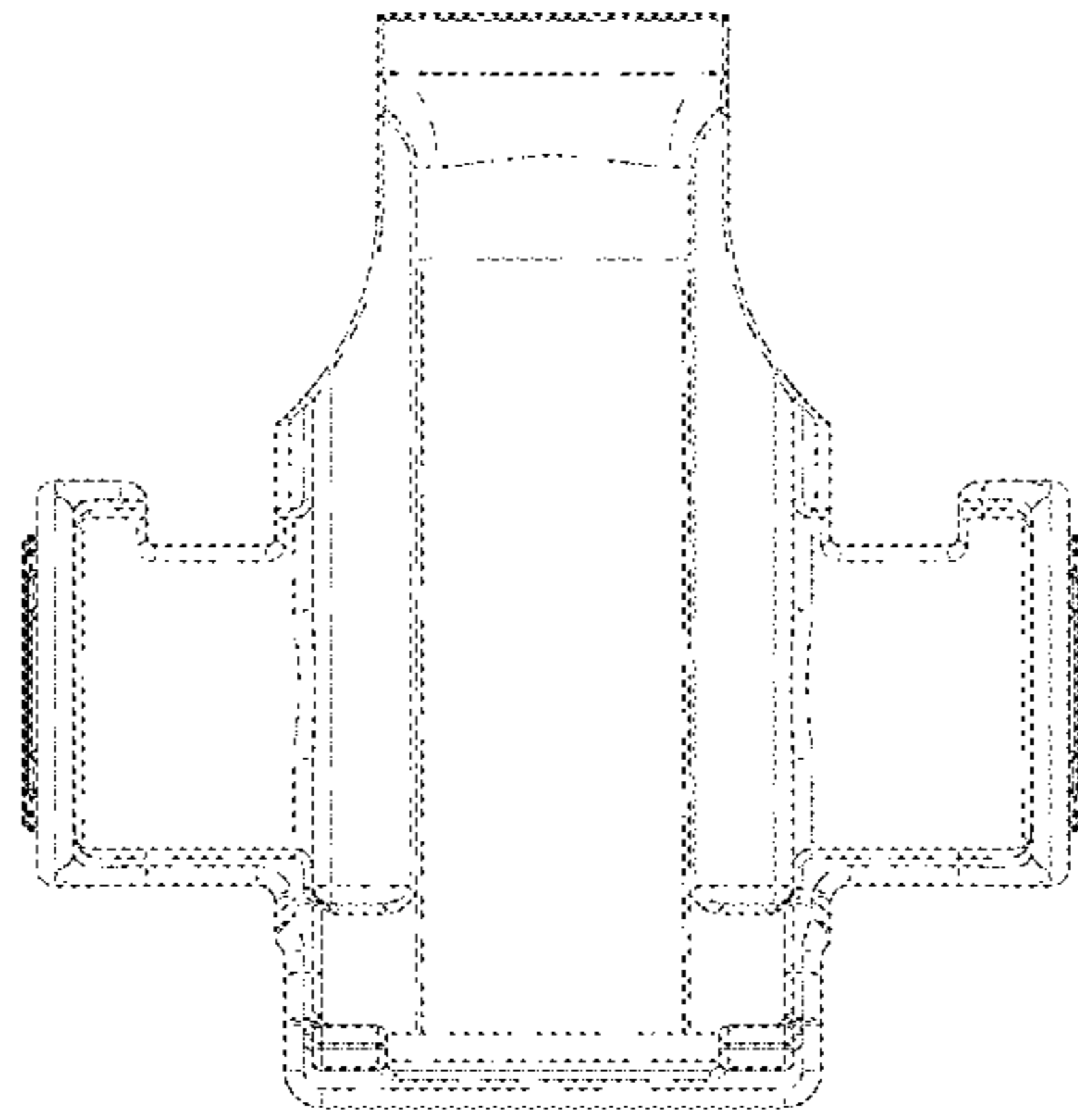


FIG. 6

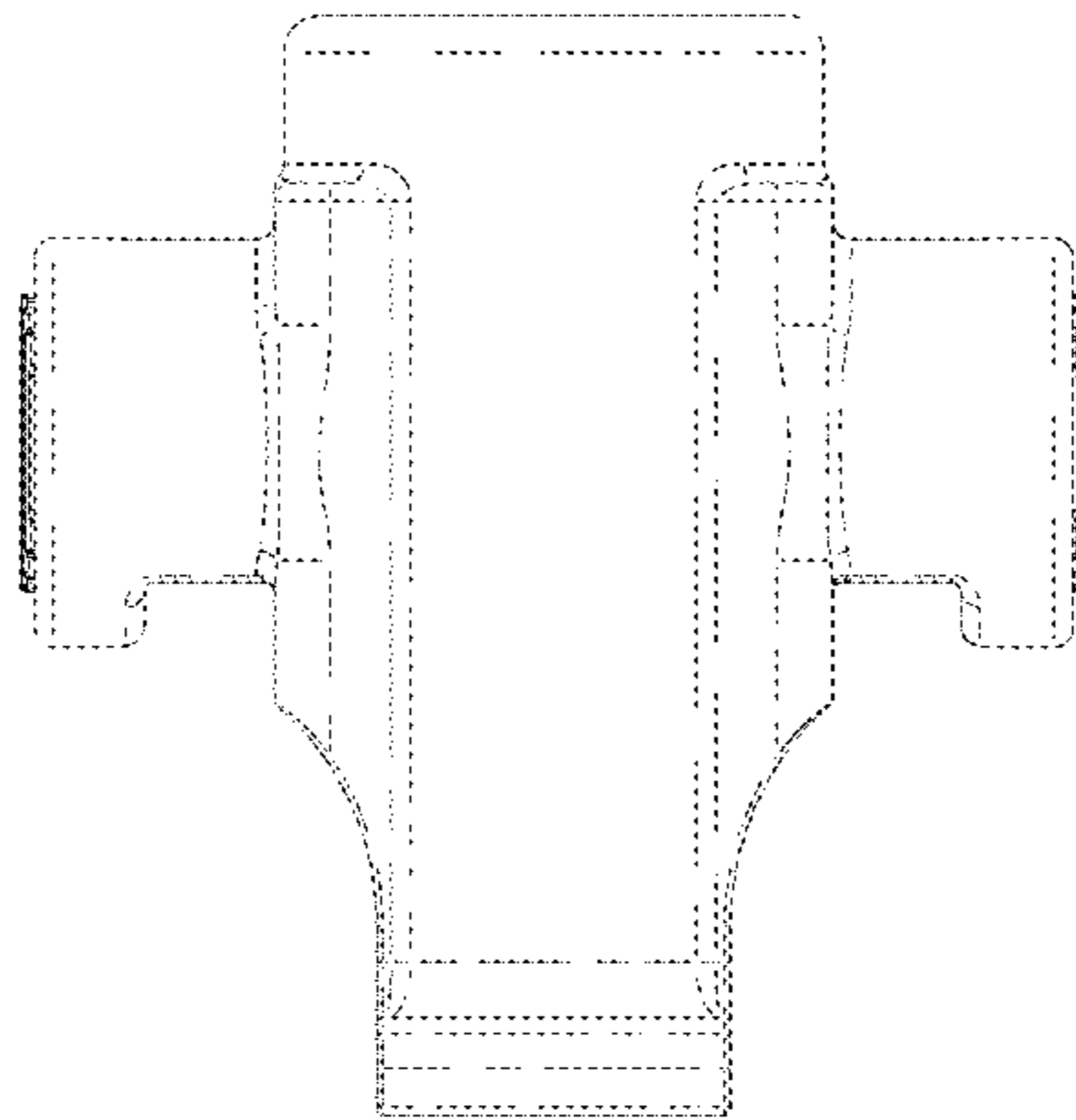


FIG. 7