



US00D844687S

(12) **United States Design Patent**
Hu et al.

(10) **Patent No.:** **US D844,687 S**

(45) **Date of Patent:** **** Apr. 2, 2019**

(54) **CONDENSER LENS**

(71) Applicant: **Lieh-Hsiung Hu**, Taichung (TW)

(72) Inventors: **Lieh-Hsiung Hu**, Taichung (TW);
Yu-Hsiang Lin, New Taipei (TW)

(73) Assignee: **Lieh-Hsiung Hu**, Taichung (TW)

(**) Term: **15 Years**

(21) Appl. No.: **29/634,443**

(22) Filed: **Jan. 22, 2018**

(51) **LOC (11) Cl.** **16-06**

(52) **U.S. Cl.**
USPC **D16/134**

(58) **Field of Classification Search**
USPC D16/137, 135, 134, 138, 131, 132, 133,
D16/139, 200, 202–205, 218, 219, 235,
D16/242; D26/1, 2, 6, 65, 66, 68, 69, 72,
D26/74, 76, 86, 87, 88
CPC F41G 1/02; F41G 1/06
See application file for complete search history.

(56) **References Cited**

U.S. PATENT DOCUMENTS

D145,638 S *	9/1946	Rosenberg	D16/135
D173,045 S *	9/1954	Smart	D16/130
D204,319 S *	4/1966	Stewart	D16/137
D206,956 S *	2/1967	Stewart	D16/137
3,535,025 A *	10/1970	Shannon	G02B 5/04 359/211.1
D406,598 S *	3/1999	Grijalva	D16/134
D429,266 S *	8/2000	Dillon	D16/134
D607,586 S *	1/2010	Ko	D26/2

D607,587 S *	1/2010	Ko	D26/2
D654,525 S *	2/2012	Lai	D16/134
D737,358 S *	8/2015	Park	D16/219
D798,357 S *	9/2017	Wei	D16/134
D803,918 S *	11/2017	Kameda	D16/134
D804,557 S *	12/2017	Kameda	D16/134
D830,440 S *	10/2018	Mathieu	D16/134

* cited by examiner

Primary Examiner — Mark A Goodwin

Assistant Examiner — Benjamin M Weeks

(74) *Attorney, Agent, or Firm* — Egbert Law Offices,
PLLC

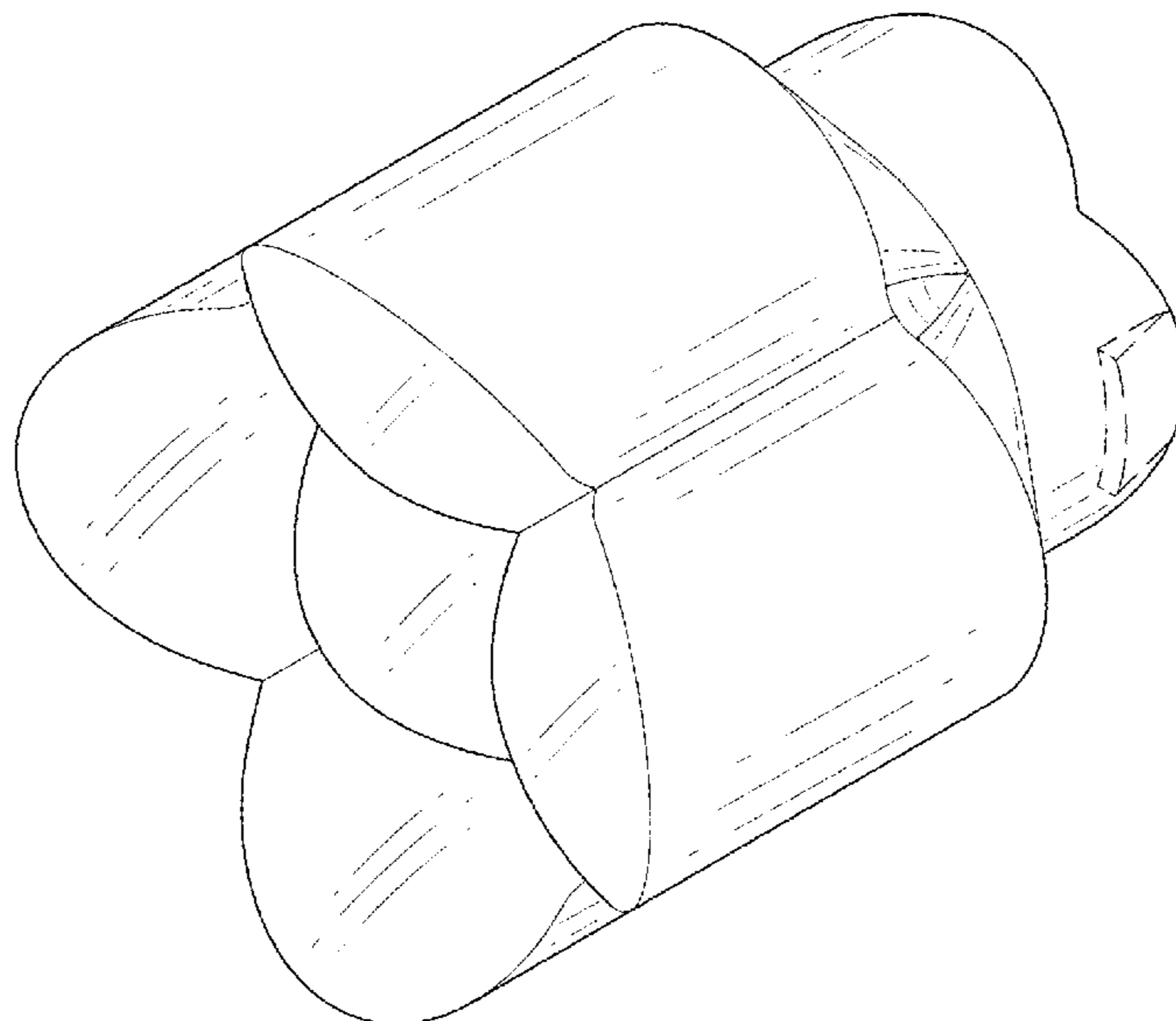
(57) **CLAIM**

The ornamental design for a condenser lens, as shown and described.

DESCRIPTION

FIG. 1 is a perspective view of a condenser lens showing our new design;
FIG. 2 is a front elevational view thereof;
FIG. 3 is a rear elevational view thereof;
FIG. 4 is a left side view thereof;
FIG. 5 is a right side view thereof;
FIG. 6 is a top plan view thereof;
FIG. 7 is a bottom plan view thereof; and,
FIG. 8 is another perspective view thereof.
The features presented in broken lines represent unclaimed portions of the condenser lens and form no part of the claimed design.

1 Claim, 8 Drawing Sheets



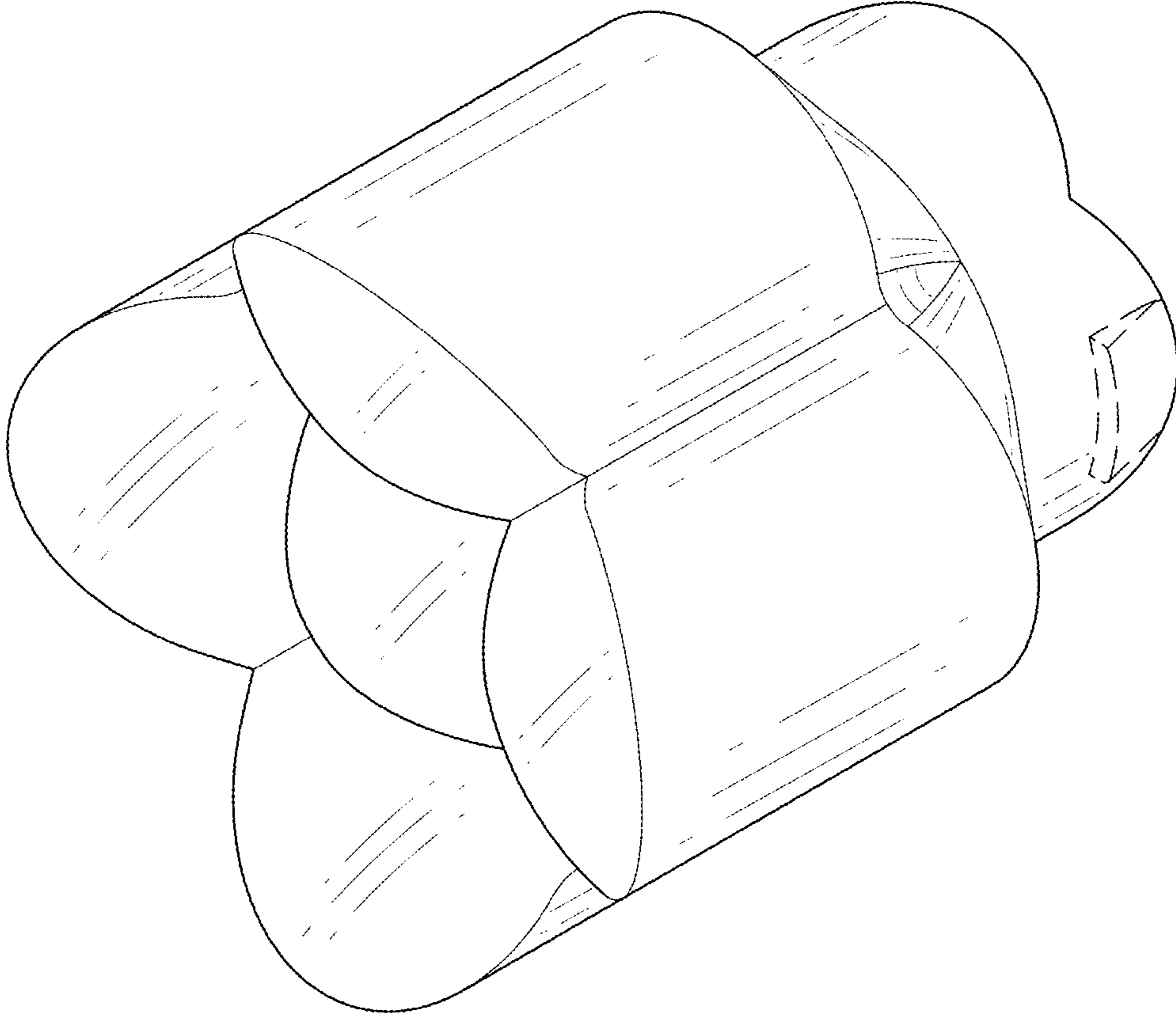


FIG. 1

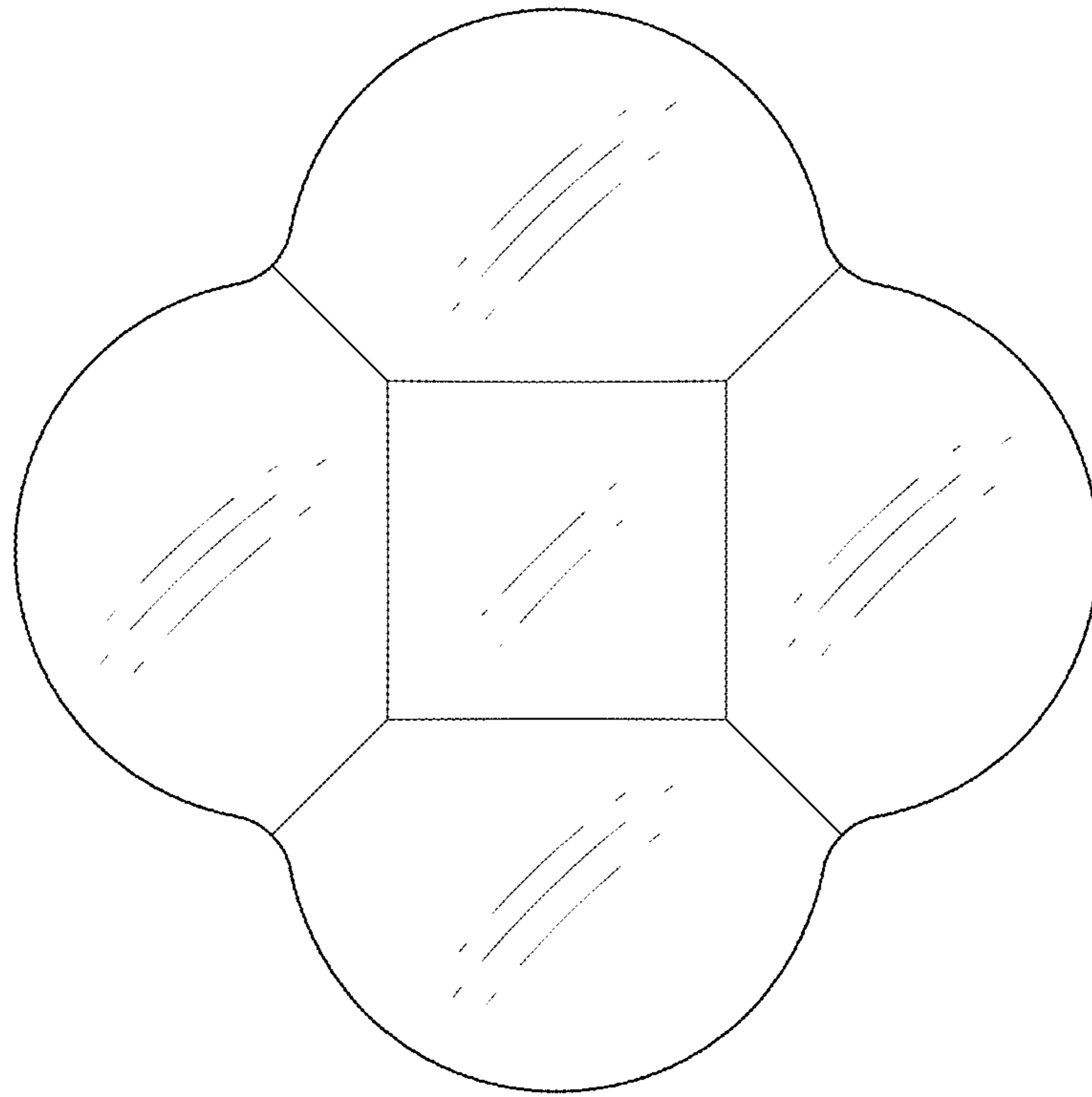


FIG. 2

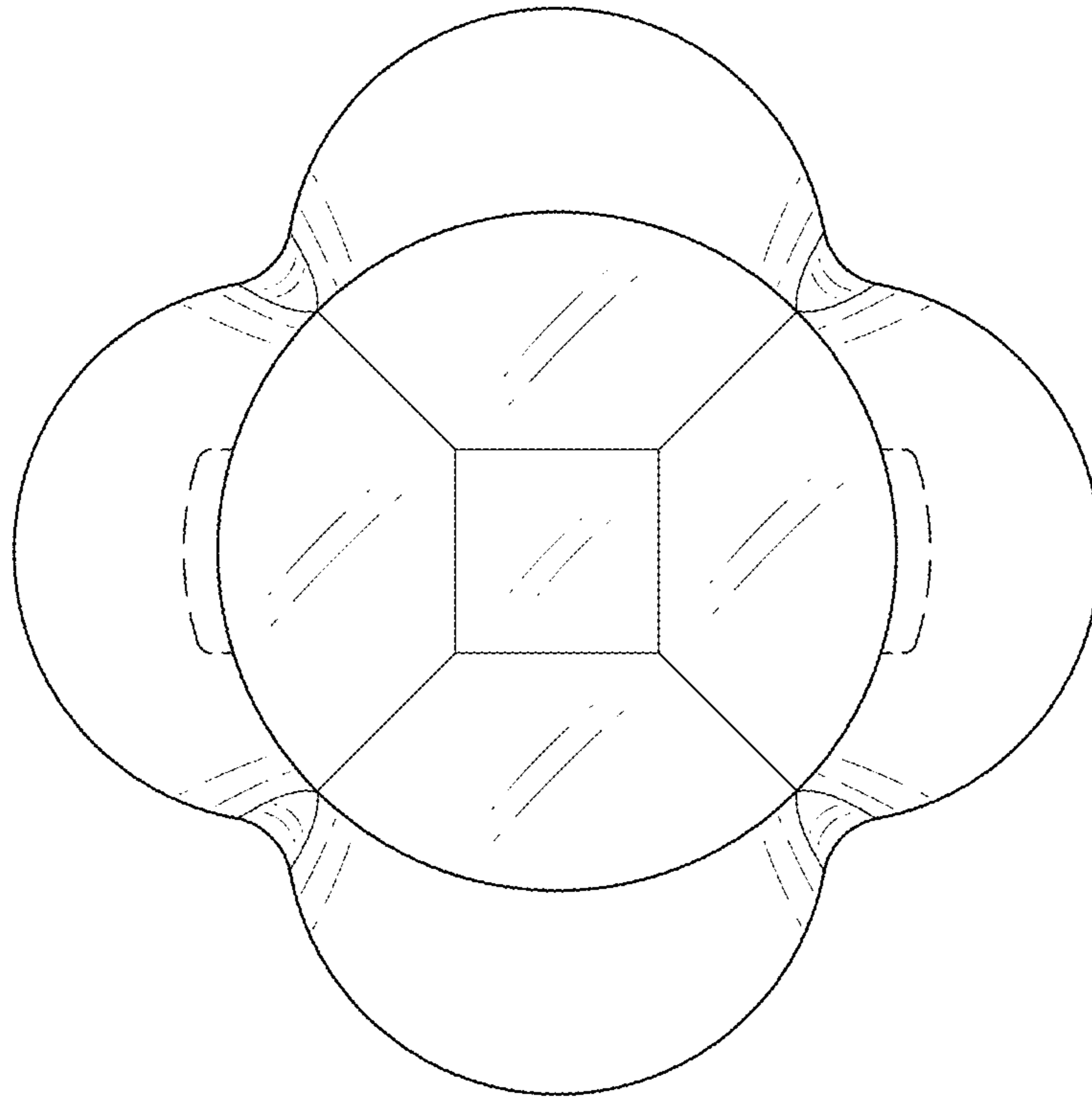


FIG. 3

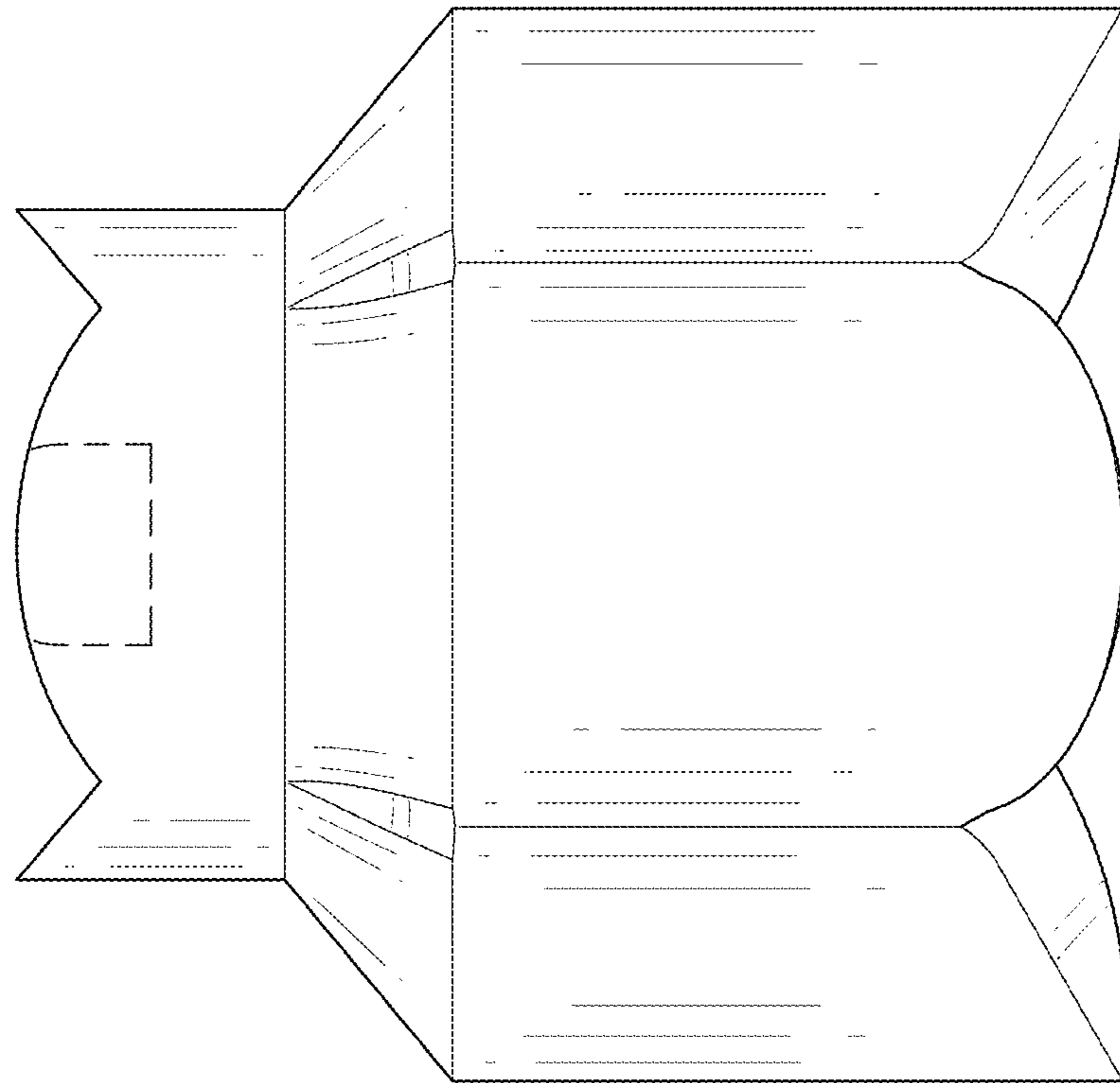


FIG. 4

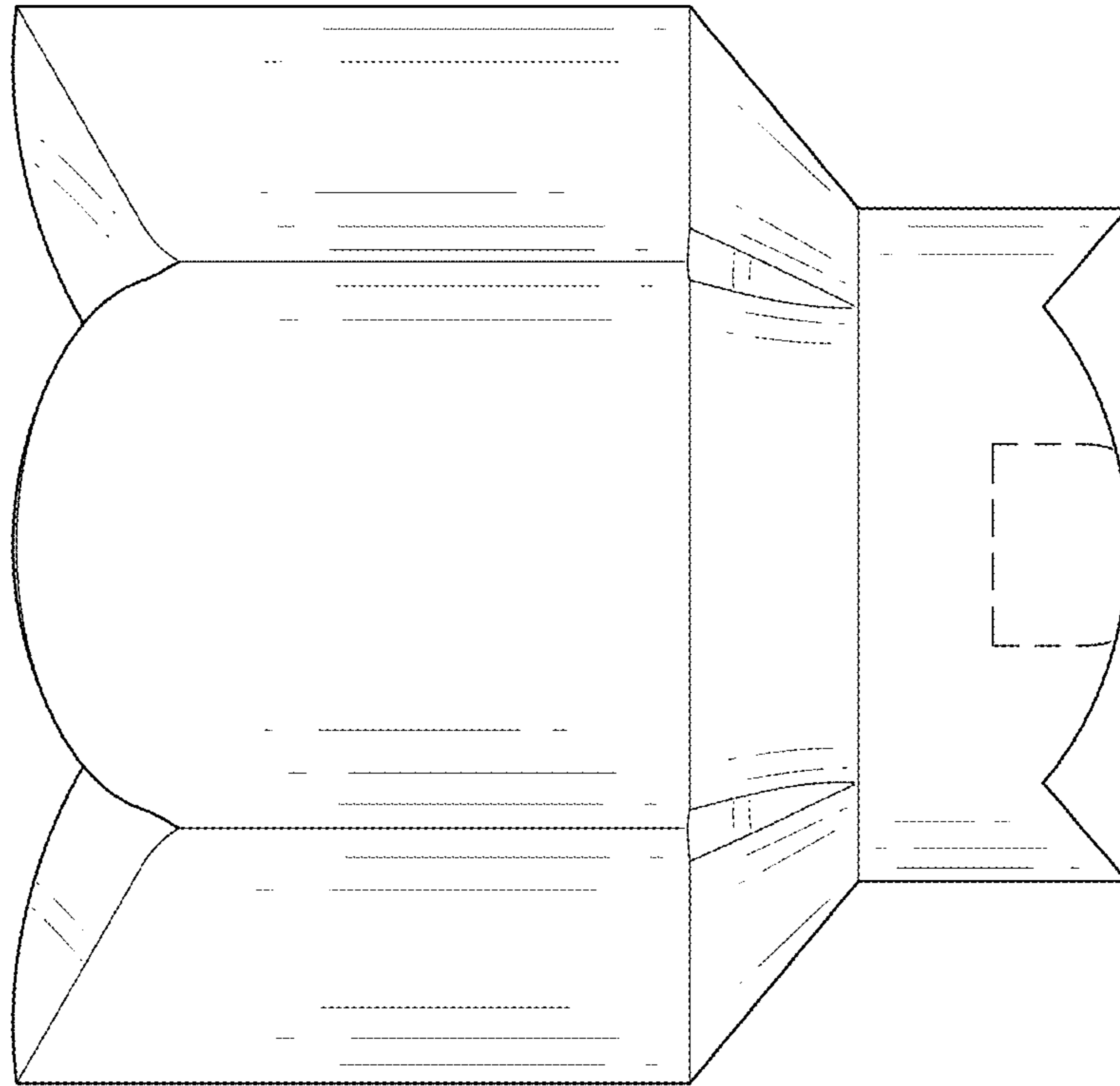


FIG. 5

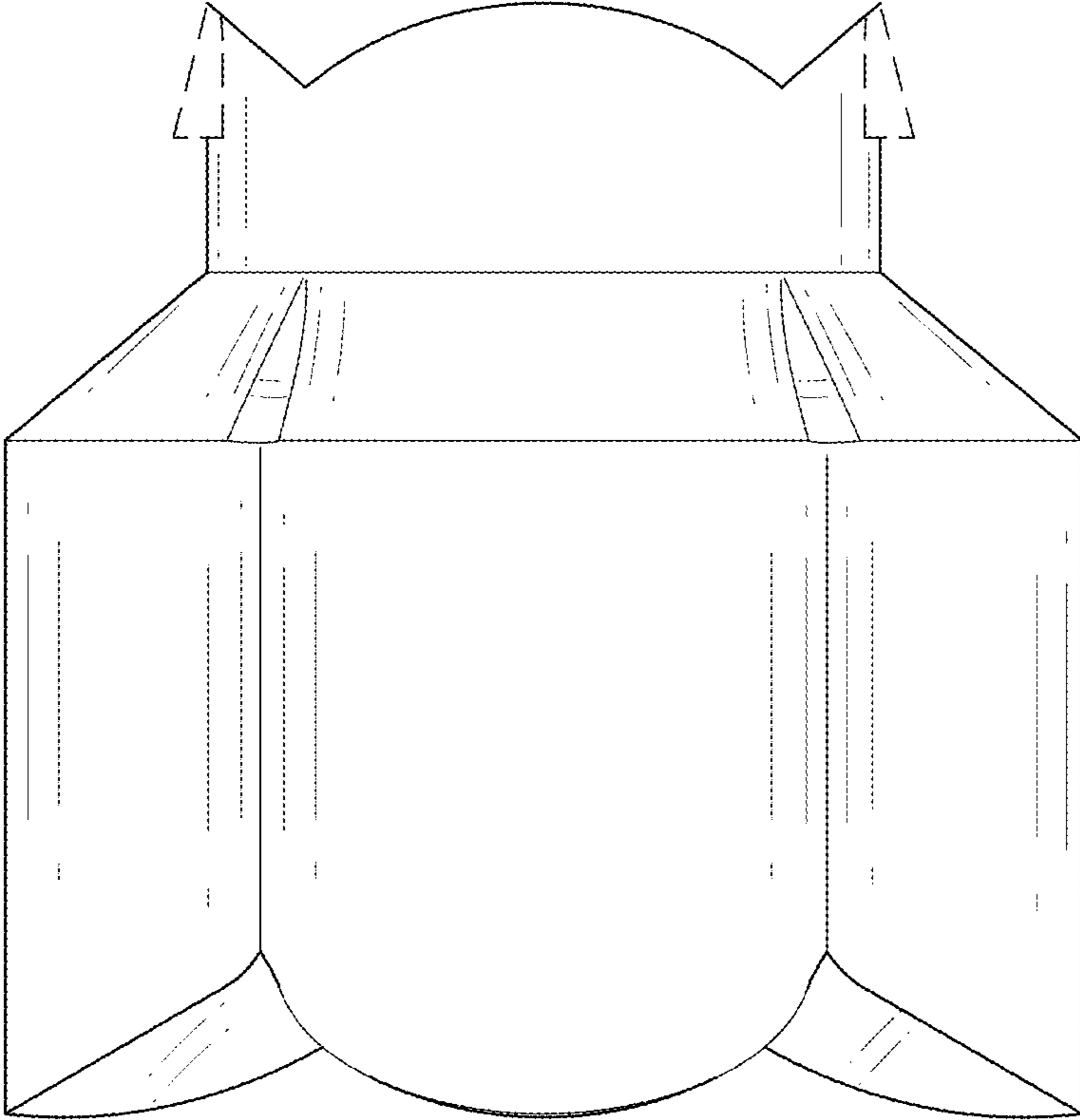


FIG. 6

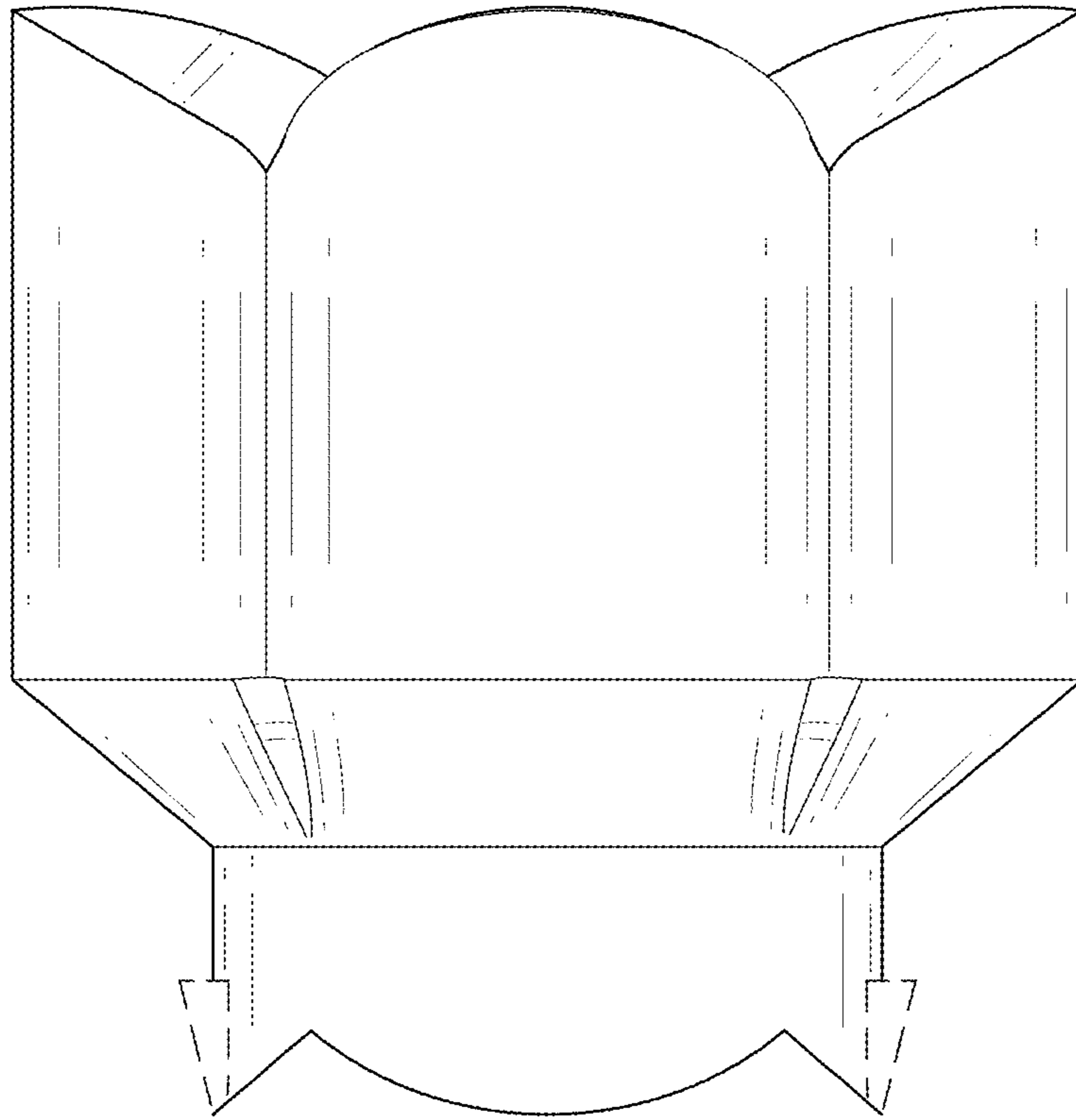


FIG. 7

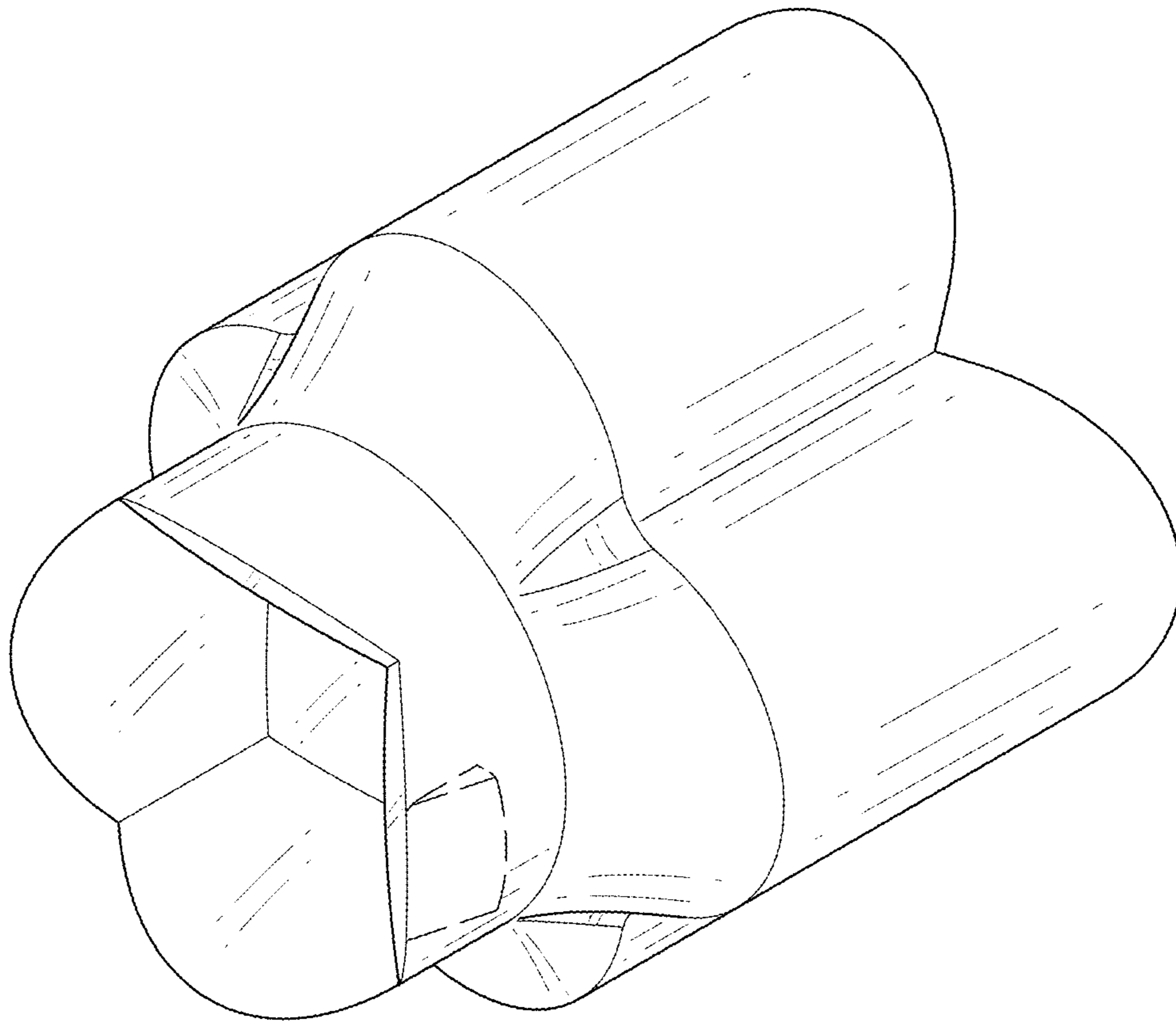


FIG. 8