



US00D844686S

(12) **United States Design Patent**  
**Chao**

(10) **Patent No.:** **US D844,686 S**

(45) **Date of Patent:** **\*\* Apr. 2, 2019**

(54) **BODY STRUCTURE OF A ROBOT**

(71) Applicant: **ACTURA CO., LTD.**, Taipei (TW)

(72) Inventor: **Chia-Hao Chao**, Taipei (TW)

(73) Assignee: **ACTURA CO., LTD.**, Taipei (TW)

(\*\*) Term: **15 Years**

(21) Appl. No.: **29/639,122**

(22) Filed: **Mar. 5, 2018**

(30) **Foreign Application Priority Data**

Sep. 8, 2017 (TW) ..... 106305267

(51) **LOC (11) Cl.** ..... **15-99**

(52) **U.S. Cl.**  
USPC ..... **D15/199**

(58) **Field of Classification Search**  
USPC ..... 15/122, 199; 21/578-583, 621, 622;  
23/259, 262, 263  
CPC ..... A63H 3/00; B25J 9/00; B25J 9/104; B25J  
9/161; B25J 9/1617; G05B 19/00; G05B  
2219/33105; G05B 2219/36433; G05B  
2219/39335; G05B 2219/39427; G05B  
2219/40304; G06C 7/60; G06N 3/00;  
G06N 3/004; G06N 3/006; G06N 3/008;  
G06N 5/00

See application file for complete search history.

(56) **References Cited**

**U.S. PATENT DOCUMENTS**

5,413,454 A \* 5/1995 Movsesian ..... B25J 5/007  
294/100  
6,132,287 A \* 10/2000 Kuralt ..... A63H 17/004  
446/431  
D545,721 S \* 7/2007 Hacker ..... D12/1  
D711,061 S \* 8/2014 Chen ..... D34/29

2001/0047895 A1\* 12/2001 De Fazio ..... B62D 57/024  
180/22  
2003/0048081 A1\* 3/2003 Seemann ..... B62D 55/00  
318/68  
2003/0051932 A1\* 3/2003 Thompson ..... B25J 5/007  
180/167  
2008/0077276 A1\* 3/2008 Montero Sanjuan .... B21J 15/14  
700/245  
2008/0105481 A1\* 5/2008 Hutcheson ..... B25J 5/007  
180/209  
2010/0263948 A1\* 10/2010 Couture ..... B25J 5/005  
180/8.2  
2011/0036197 A1\* 2/2011 Aoki ..... B25J 5/007  
74/490.01  
2011/0050374 A1\* 3/2011 Dvorak ..... A63H 17/42  
335/219  
2011/0106313 A1\* 5/2011 Lee ..... B25J 5/007  
700/259  
2011/0132671 A1\* 6/2011 Lee ..... B25J 5/007  
180/8.3

(Continued)

**FOREIGN PATENT DOCUMENTS**

JP 1461683 2/2013

*Primary Examiner* — Patricia A Palasik

(74) *Attorney, Agent, or Firm* — Mark M. Friedman

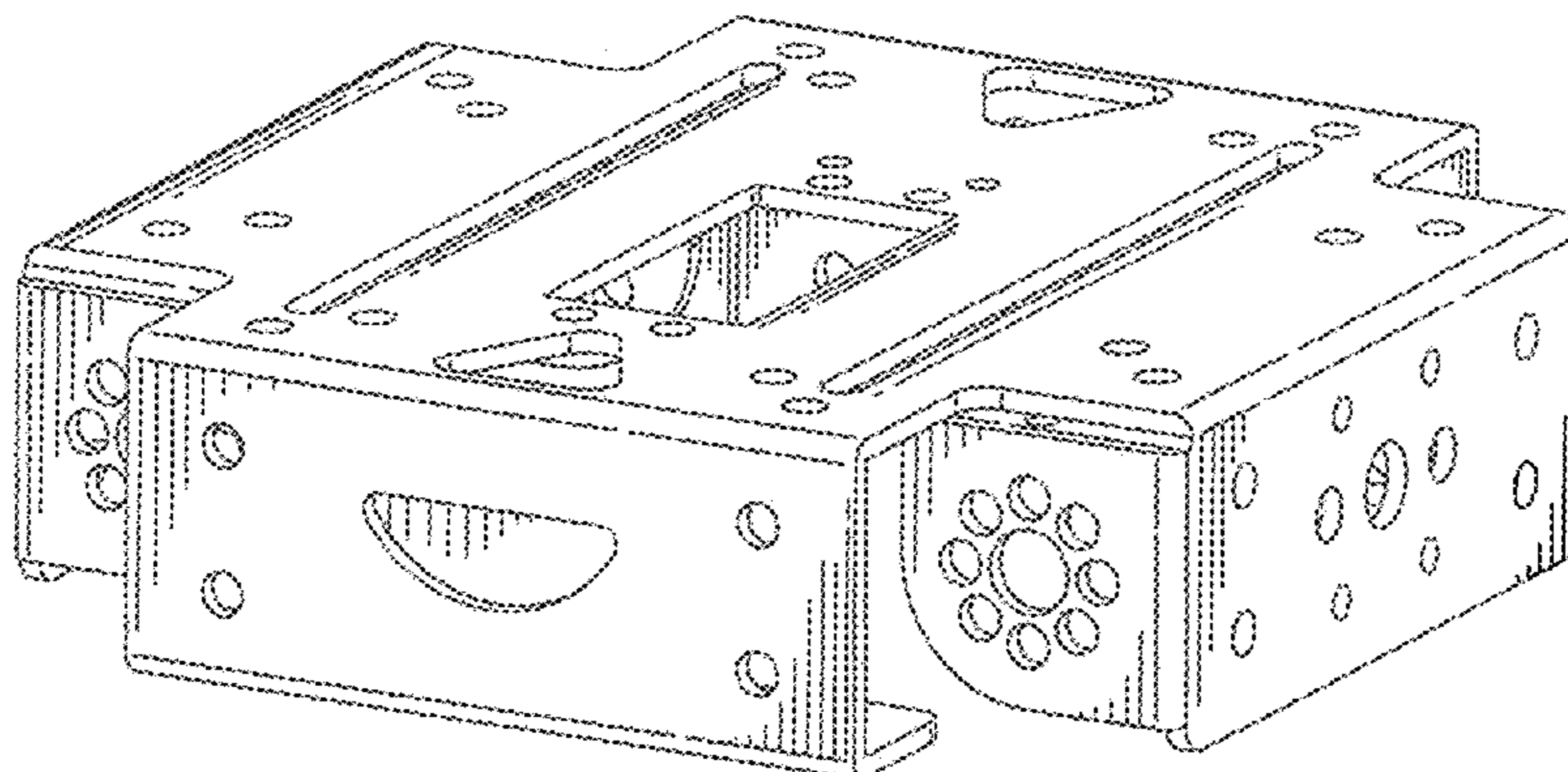
(57) **CLAIM**

The ornamental design for a body structure of a robot, as shown and described.

**DESCRIPTION**

FIG. 1 is a perspective view of a body structure of a robot showing my new design;  
FIG. 2 is a front plane view thereof;  
FIG. 3 is a back plane view thereof;  
FIG. 4 is a left side view thereof;  
FIG. 5 is a right side view thereof;  
FIG. 6 is a top plan view thereof; and,  
FIG. 7 is a bottom plan view thereof.

**1 Claim, 7 Drawing Sheets**



(56)

**References Cited**

U.S. PATENT DOCUMENTS

2012/0013139 A1\* 1/2012 Torres-Jara ..... B25J 13/084  
294/110.1  
2012/0215355 A1\* 8/2012 Bewley ..... B25J 5/005  
700/258  
2012/0259460 A1\* 10/2012 Rizzi ..... B62D 57/028  
700/245  
2012/0283872 A1\* 11/2012 Hu ..... B25J 5/007  
700/245  
2013/0024067 A1\* 1/2013 Troy ..... B25J 5/007  
701/36  
2013/0104676 A1\* 5/2013 Yang ..... B25J 9/06  
73/865.8  
2013/0203020 A1\* 8/2013 Buchstab ..... G09B 19/165  
434/33  
2014/0137688 A1\* 5/2014 Song ..... B25J 17/00  
74/490.05  
2015/0003927 A1\* 1/2015 Spishak ..... B25J 5/007  
408/1 R  
2016/0144516 A1\* 5/2016 Song ..... B25J 19/02  
414/21  
2016/0229058 A1\* 8/2016 Pinter ..... G06Q 50/22  
2016/0327383 A1\* 11/2016 Becker ..... G01B 11/005  
2017/0088206 A1\* 3/2017 Esteban Finck ..... B21J 15/142

\* cited by examiner

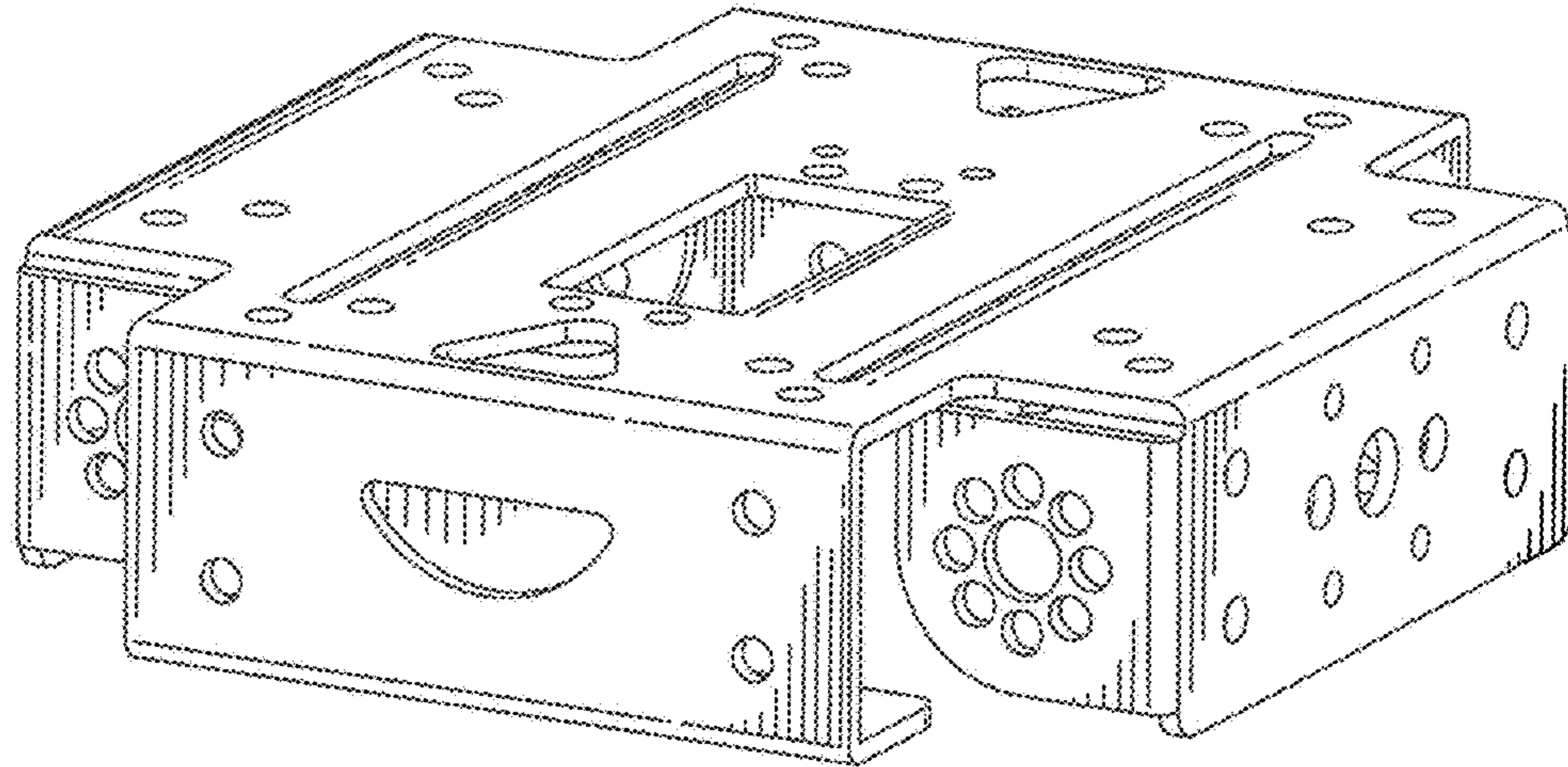


FIG. 1

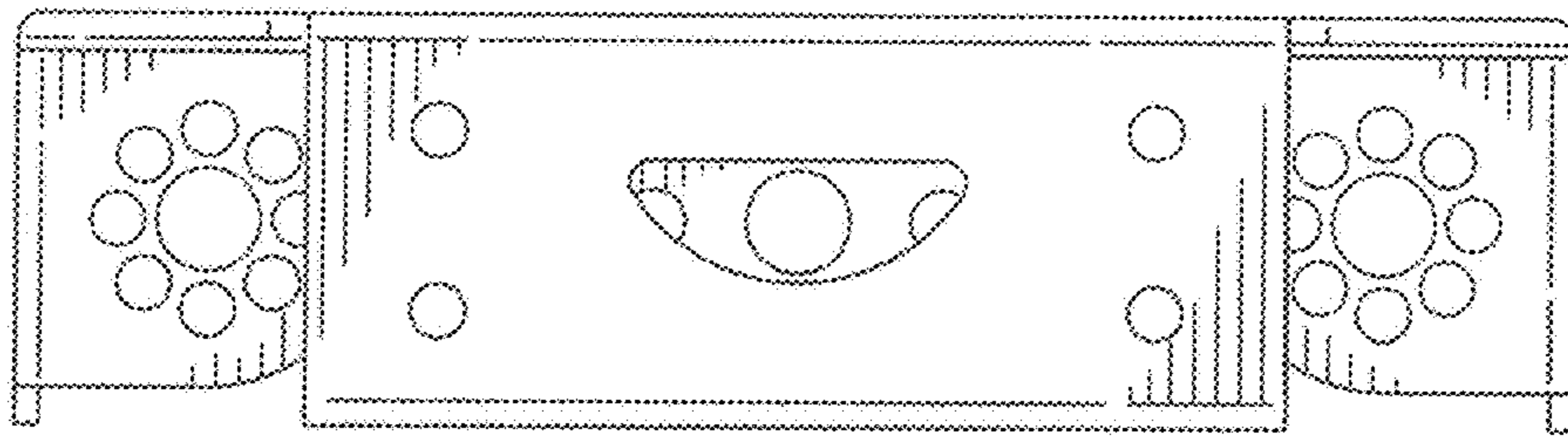


FIG. 2

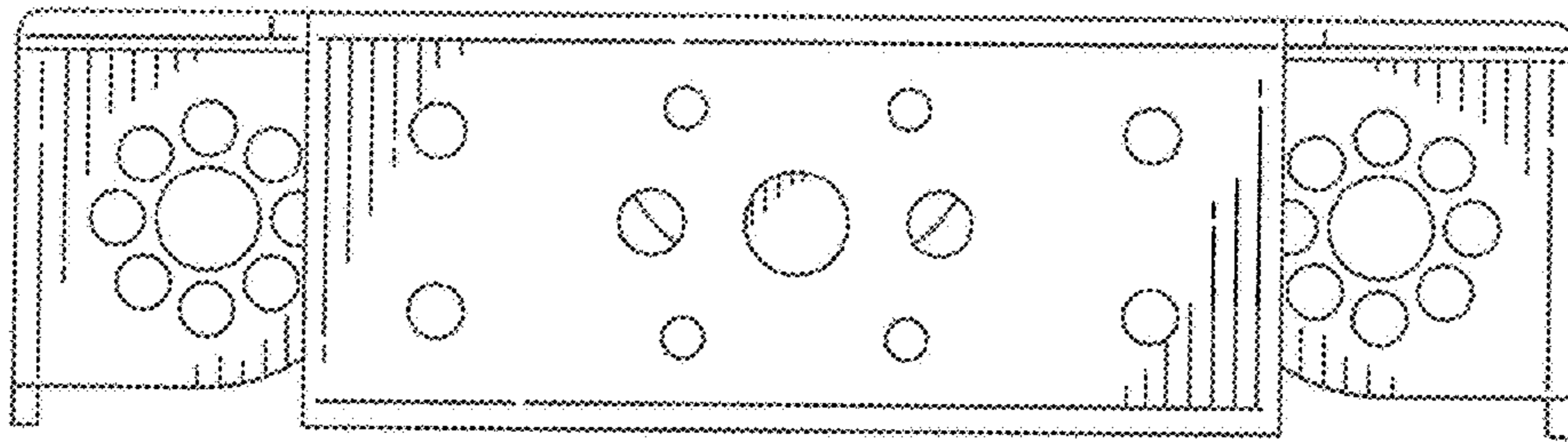


FIG. 3

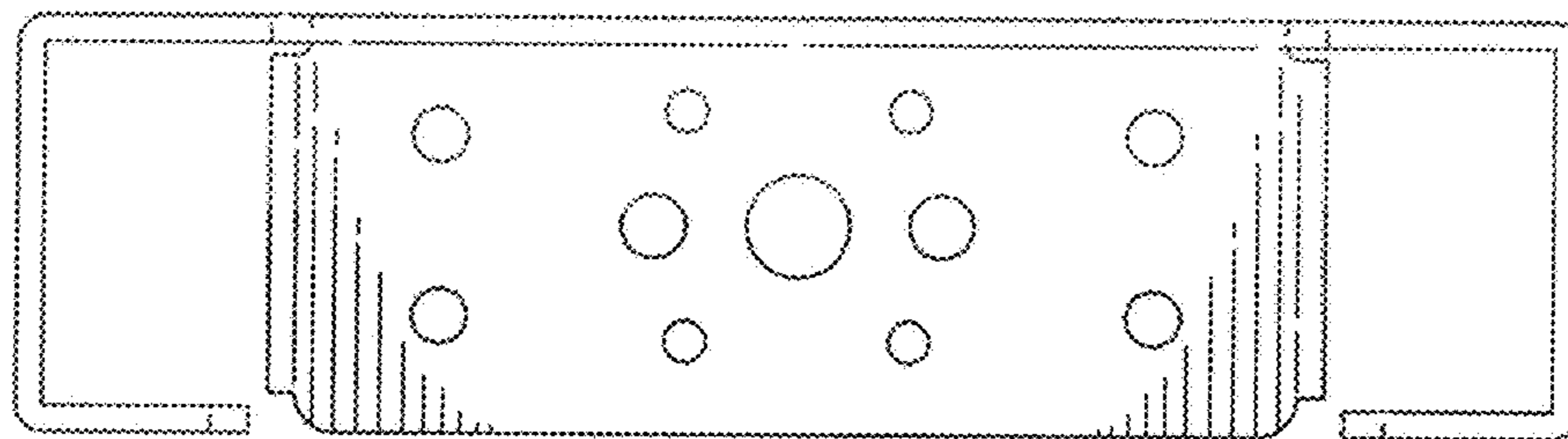


FIG. 4

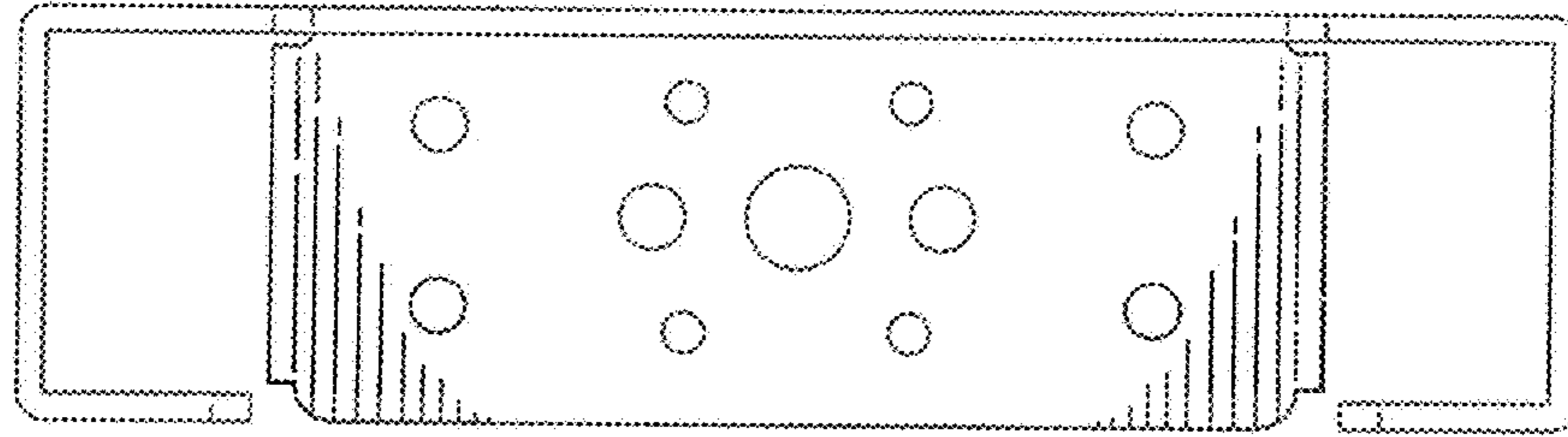


FIG. 5

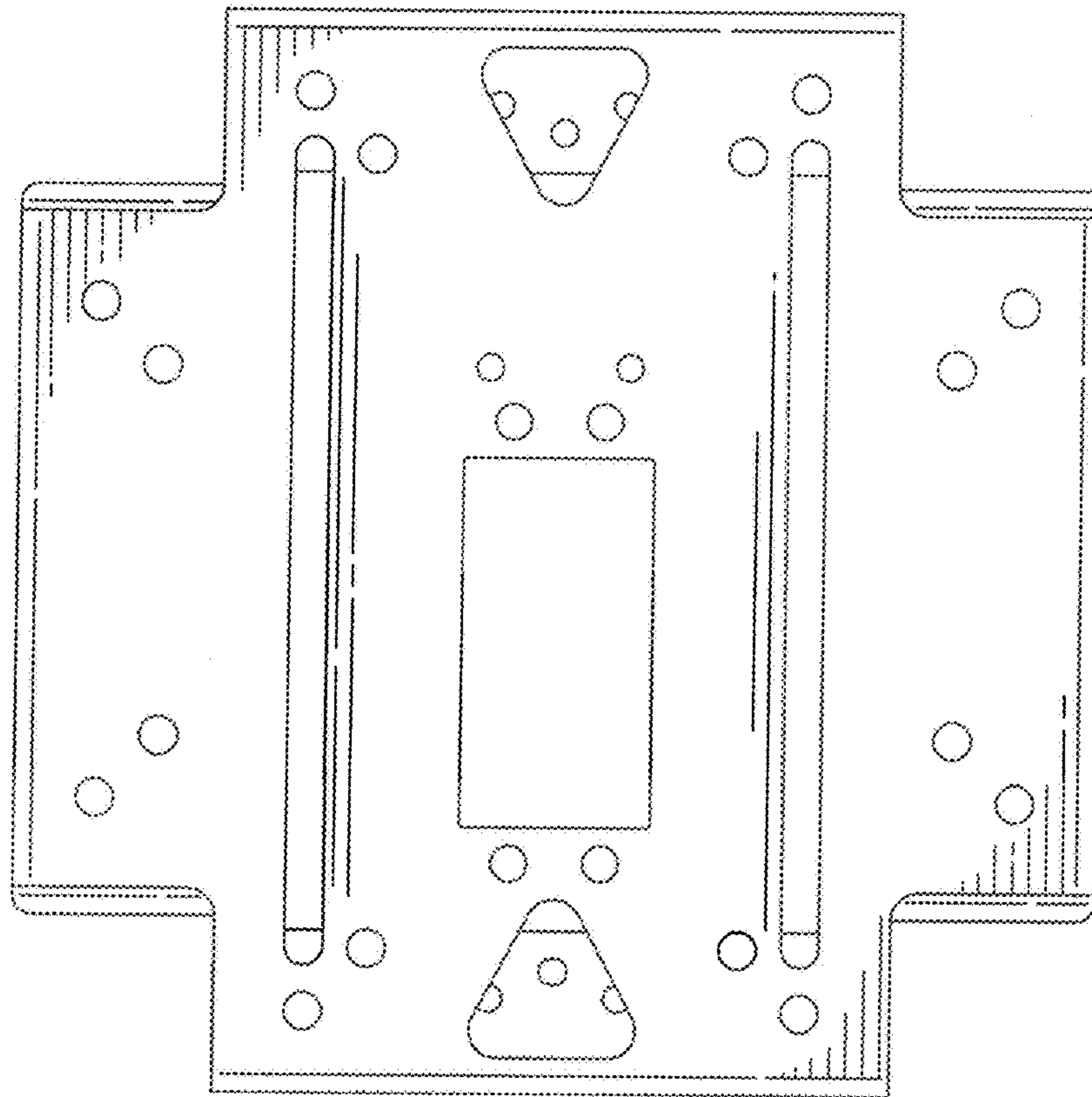


FIG. 6



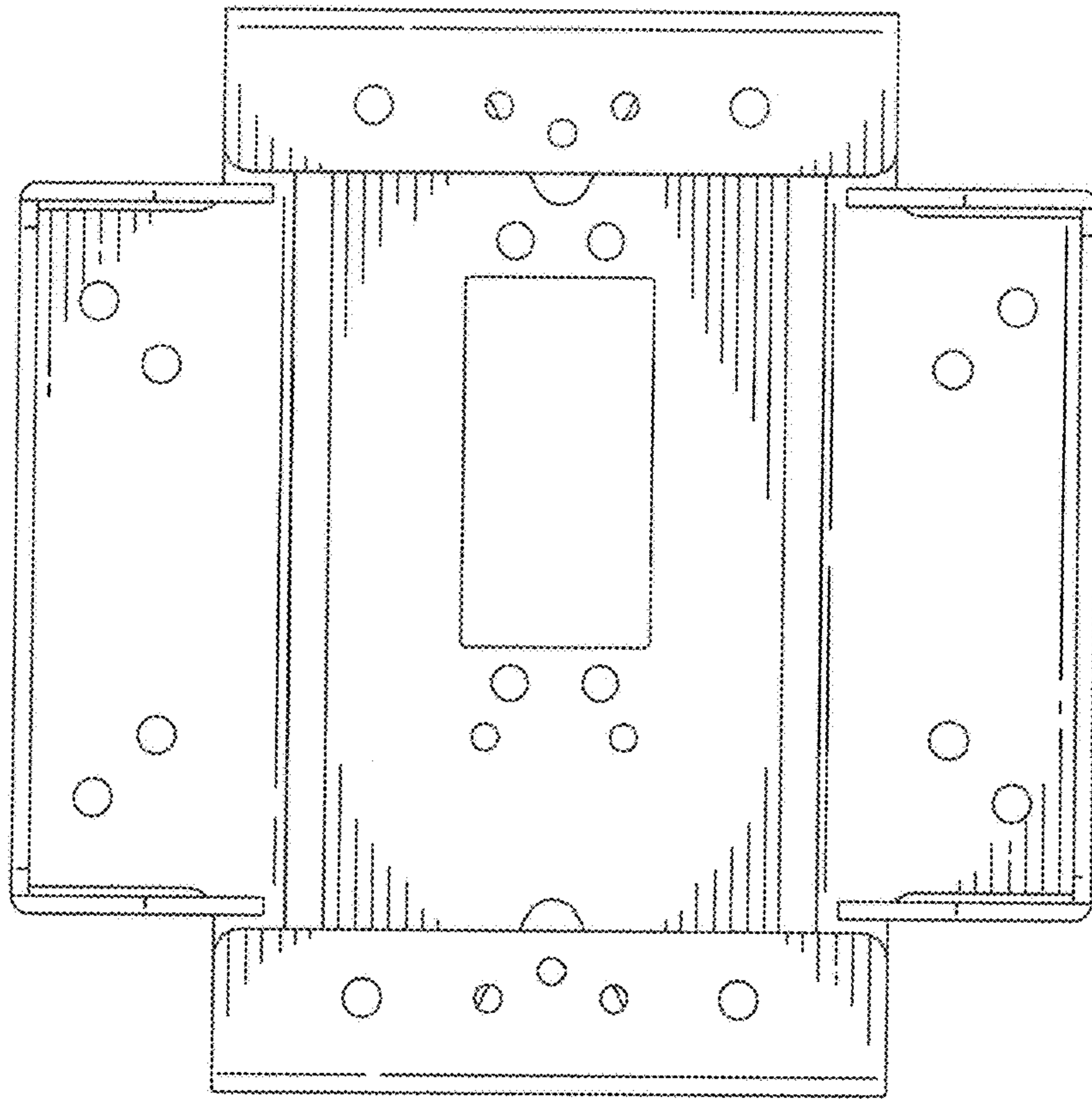


FIG. 7