



US00D844680S

(12) **United States Design Patent**
Kuo

(10) **Patent No.:** **US D844,680 S**

(45) **Date of Patent:** **** Apr. 2, 2019**

(54) **COLLAPSIBLE MITER SAW**

(71) Applicant: **Rexon Industrial Corp., Ltd.**,
Taichung (TW)

(72) Inventor: **Ya pin Kuo**, Taichung (TW)

(73) Assignee: **REXON INDUSTRIAL CORP., LTD.**,
Taichung (TW)

(**) Term: **15 Years**

(21) Appl. No.: **29/557,717**

(22) Filed: **Mar. 11, 2016**

(51) **LOC (11) Cl.** **15-07**

(52) **U.S. Cl.**
USPC **D15/133**

(58) **Field of Classification Search**
USPC D15/9, 17, 124-134, 138-143, 28-29;
D10/64, 65; D8/8, 66, 70
CPC B23D 45/024; B23D 45/048; B23D
57/0053; B23D 57/023; B23D 61/12;
B23D 61/121; B23D 61/185
See application file for complete search history.

(56) **References Cited**

U.S. PATENT DOCUMENTS

D435,569 S * 12/2000 Hollinger D15/133
D532,801 S * 11/2006 Wright D15/133

D539,108 S * 3/2007 Roberts D8/66
D566,142 S * 4/2008 Gavins D15/133
D608,375 S * 1/2010 Kokawa D15/133
D620,033 S * 7/2010 Fujiwara D15/133
D757,830 S * 5/2016 Elder D15/133
D761,337 S * 7/2016 Eiswerth D15/133

* cited by examiner

Primary Examiner — Ian Simmons

Assistant Examiner — Khawaja Anwar

(74) *Attorney, Agent, or Firm* — Bacon & Thomas, PLLC

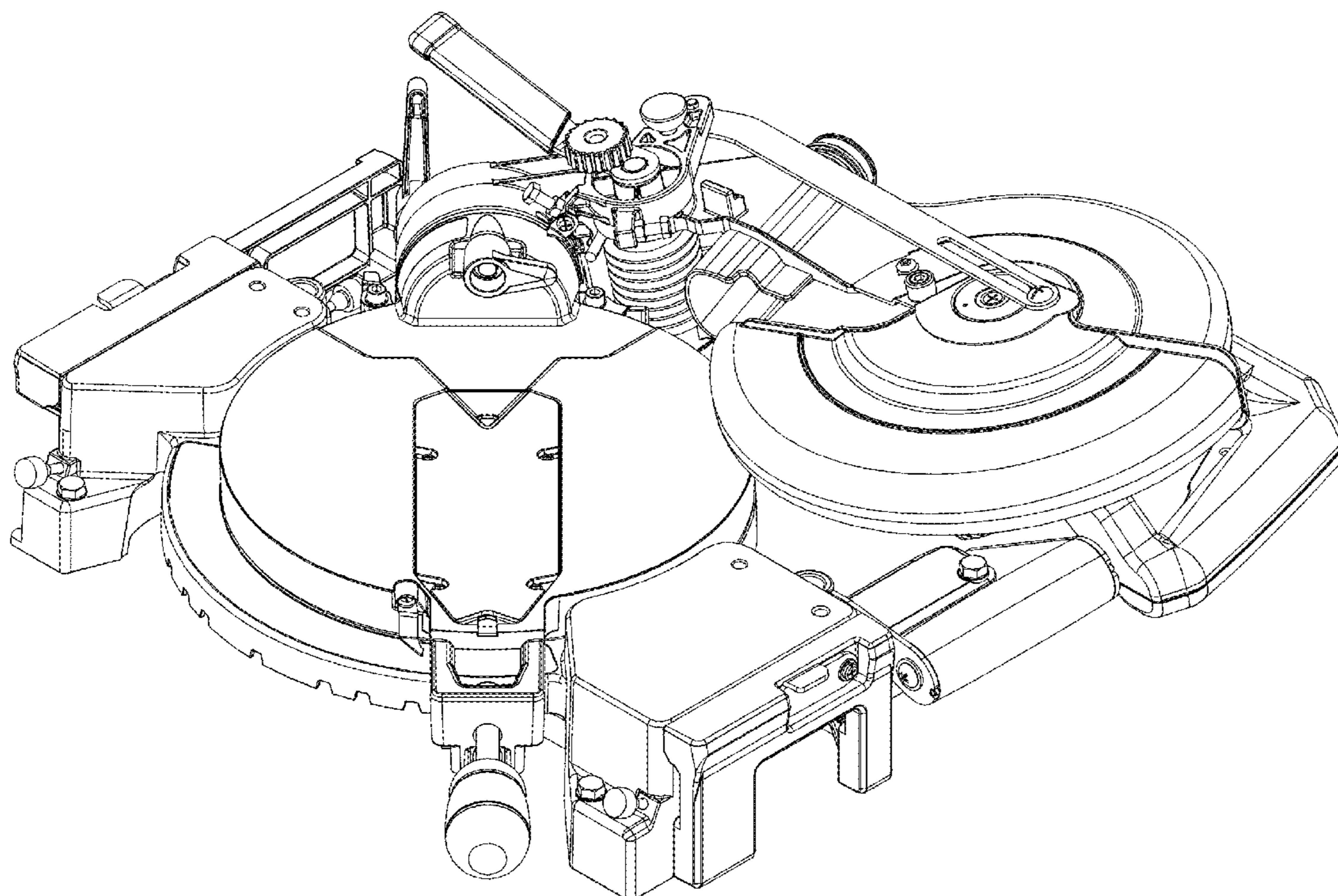
(57) **CLAIM**

The ornamental design for a collapsible miter saw, as shown and described.

DESCRIPTION

FIG. 1 is a perspective view of the design for collapsible miter saw according to the present disclosure; FIG. 2 is a front elevational view thereof; FIG. 3 is a rear elevational view thereof; FIG. 4 is a left side elevational view thereof; FIG. 5 is a right side elevational view thereof; FIG. 6 is a bottom plan view thereof; FIG. 7 is a top plan view thereof; and, FIG. 8 is a perspective view of the collapsible miter saw according to the present disclosure, wherein the collapsible miter saw is in an operating configuration.

1 Claim, 8 Drawing Sheets



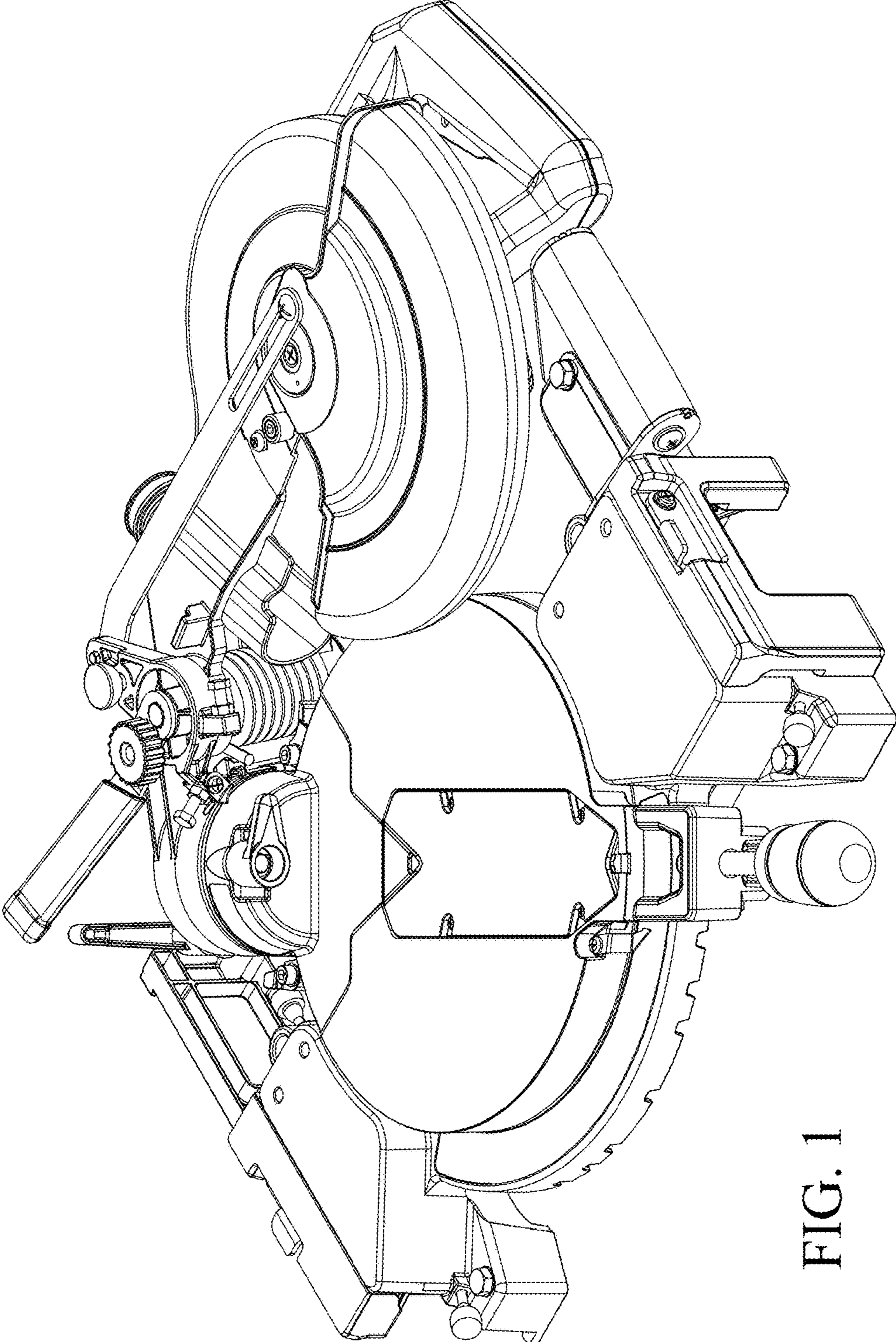


FIG. 1

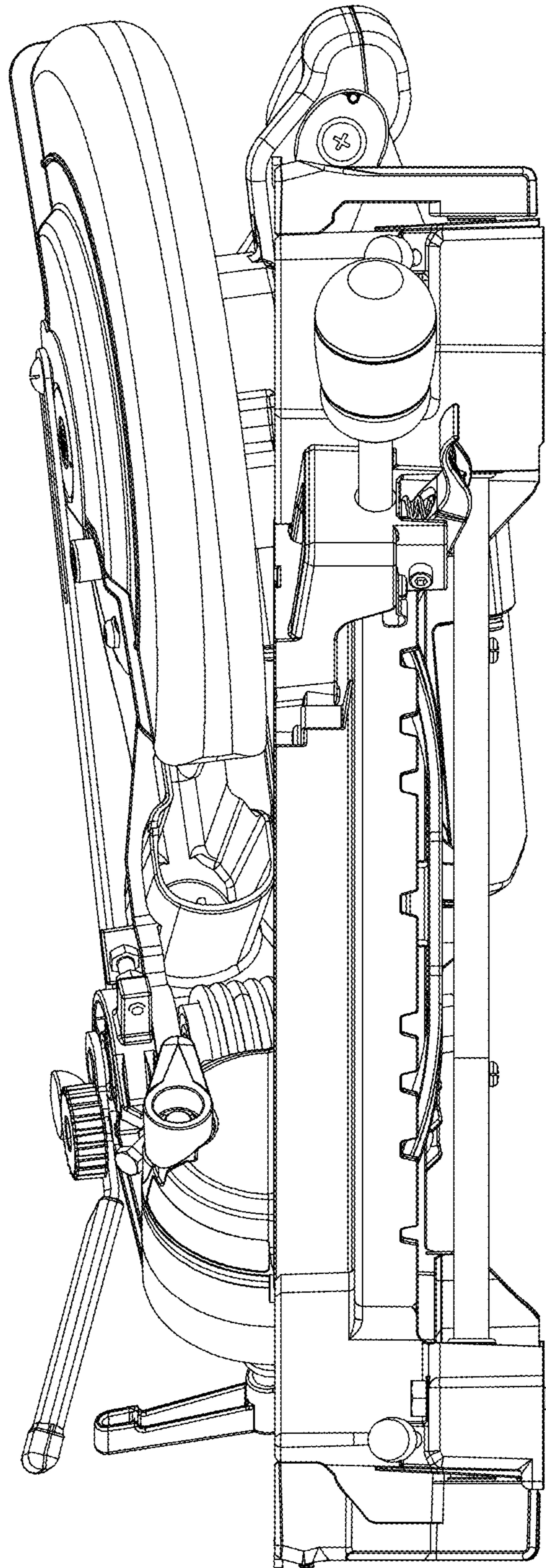


FIG. 2

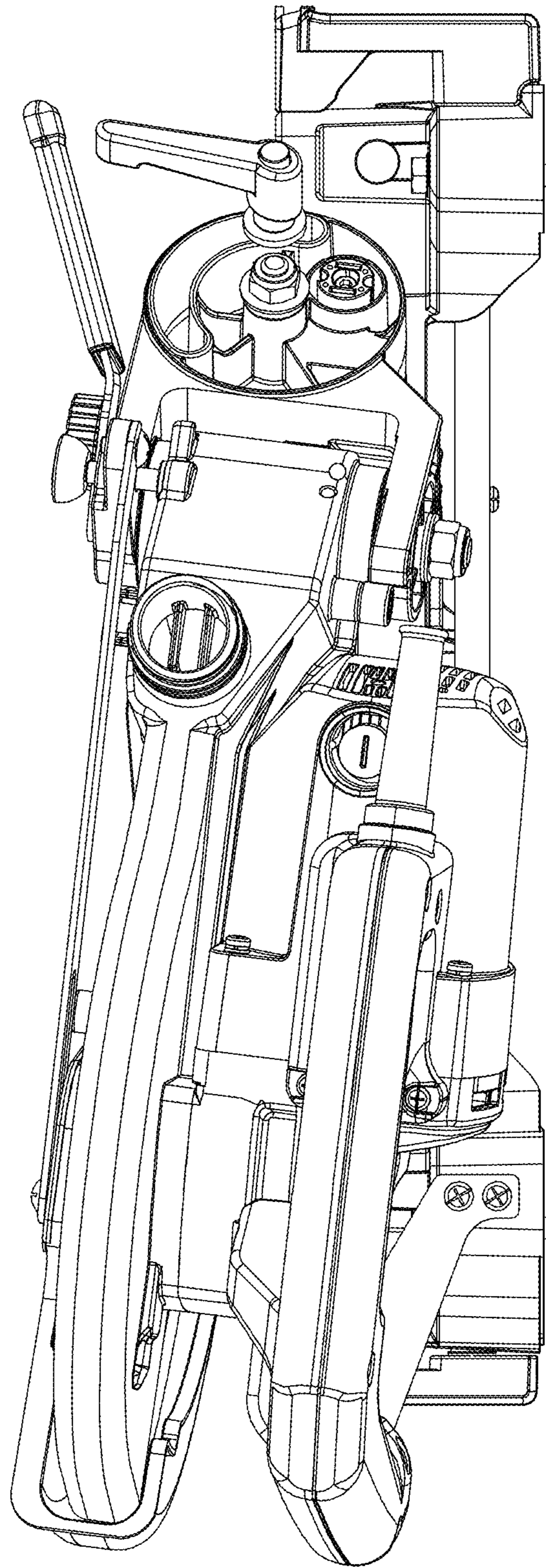


FIG. 3

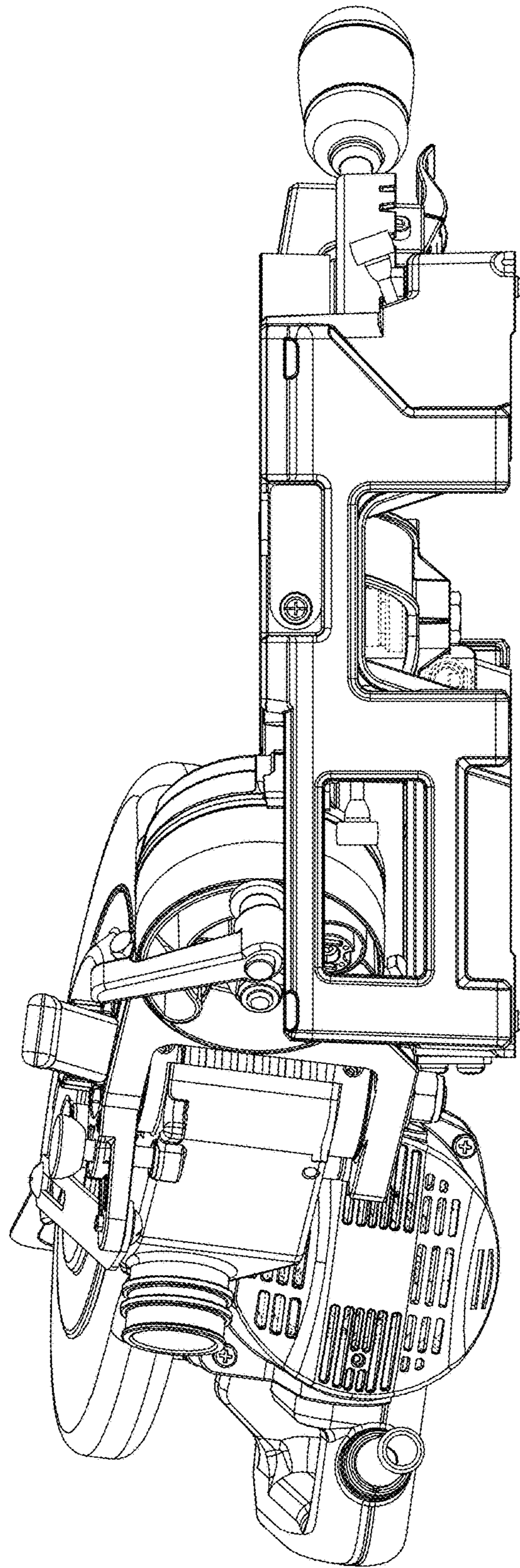


FIG. 4

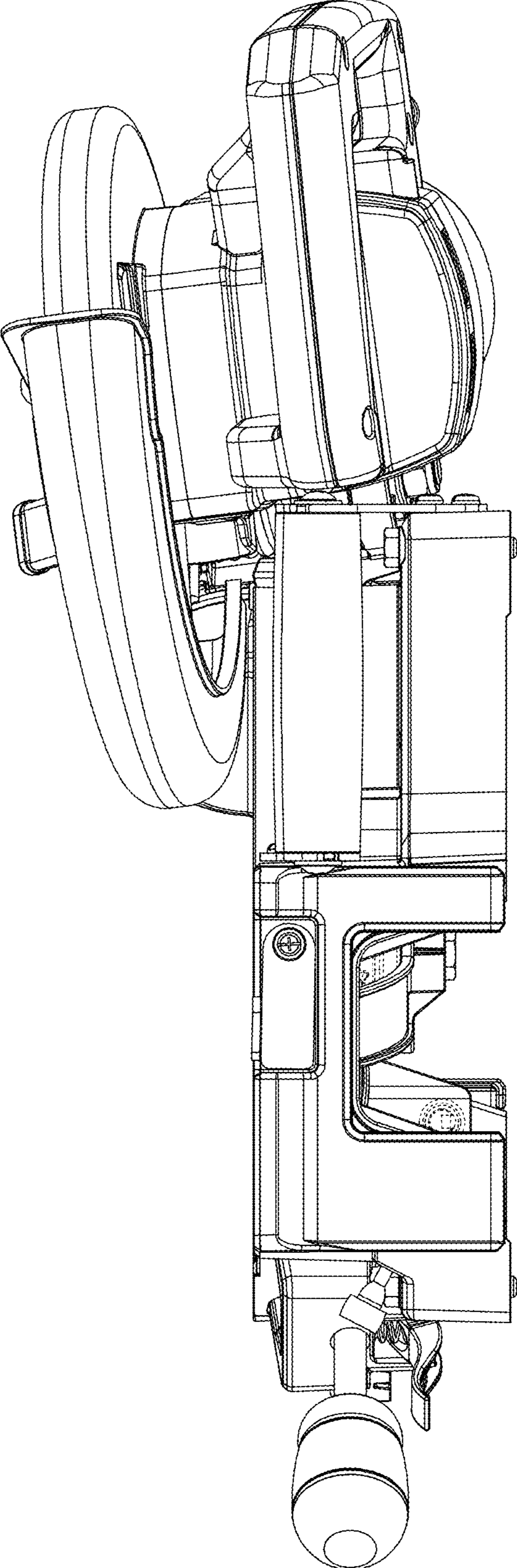


FIG. 5

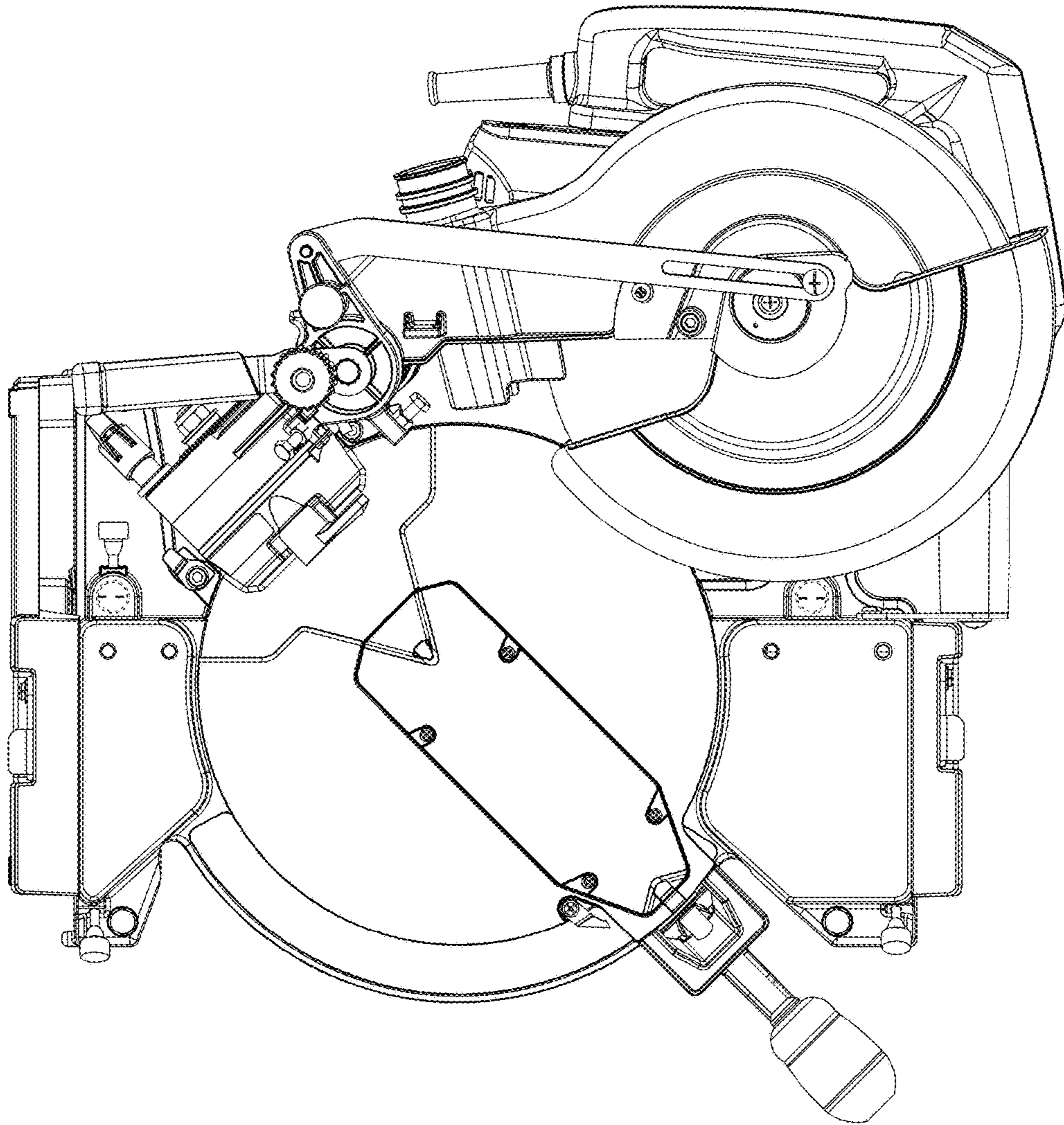


FIG. 6

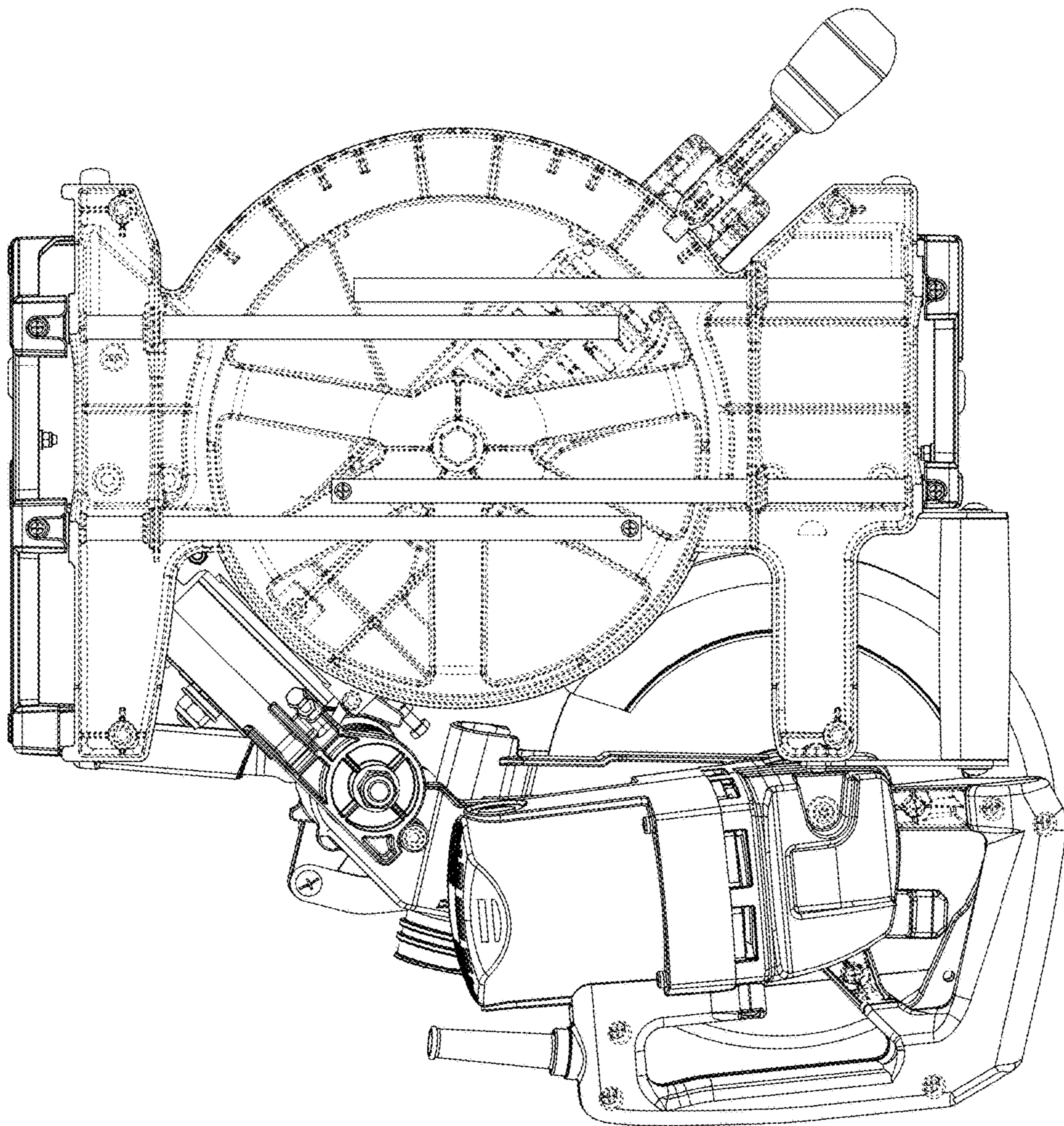


FIG. 7

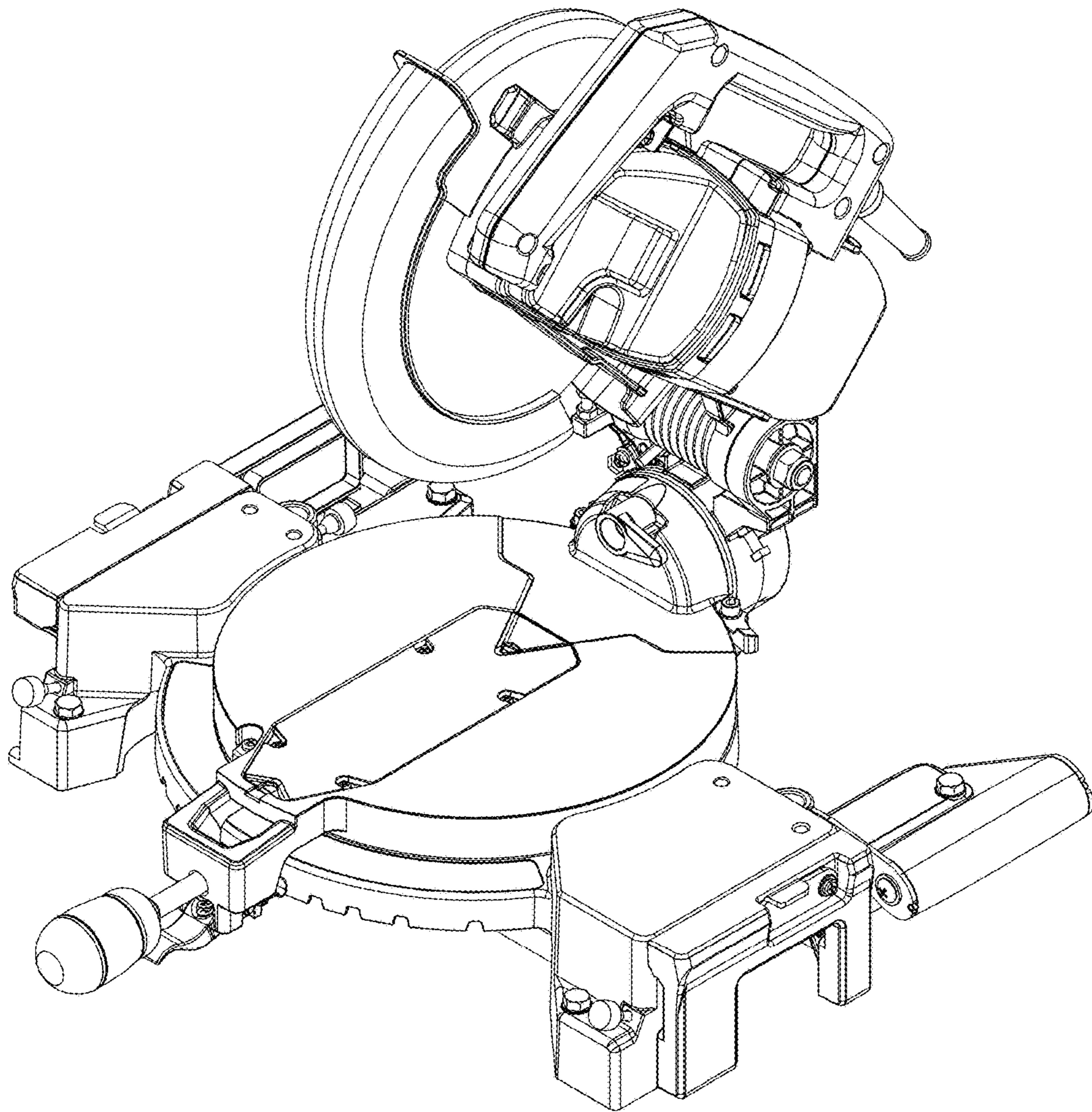


FIG. 8

UNITED STATES PATENT AND TRADEMARK OFFICE
CERTIFICATE OF CORRECTION

PATENT NO. : D844,680 S
APPLICATION NO. : 29/557717
DATED : April 2, 2019
INVENTOR(S) : Ya pin Kuo

Page 1 of 1

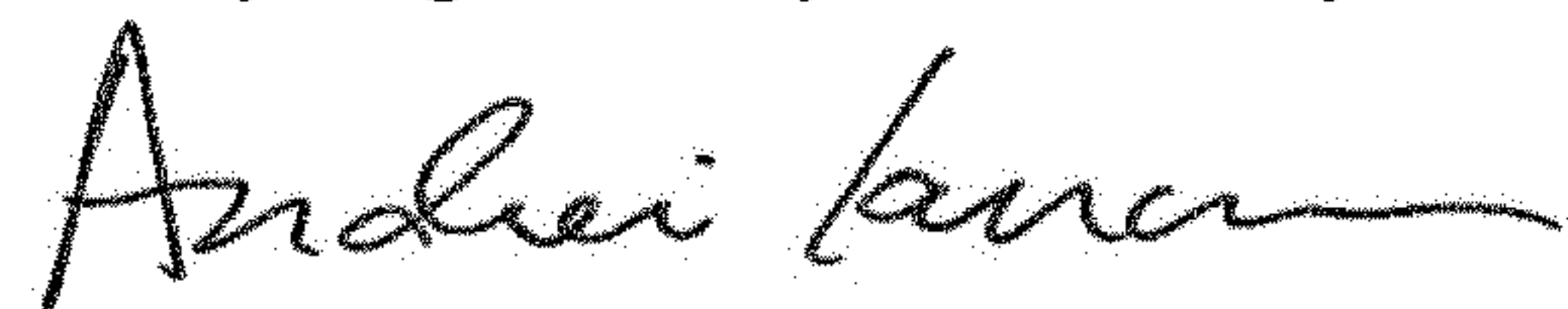
It is certified that error appears in the above-identified patent and that said Letters Patent is hereby corrected as shown below:

On the Title Page

Please add item (22) PCT filed: September 9, 2015

Please add item (86) PCT No.: PCT/US2015/049147

Signed and Sealed this
Twenty-eighth Day of January, 2020



Andrei Iancu
Director of the United States Patent and Trademark Office