



US00D844678S

(12) **United States Design Patent** (10) **Patent No.:** **US D844,678 S**  
**Jacobsthal et al.** (45) **Date of Patent:** **\*\* Apr. 2, 2019**

- (54) **INSTRUMENT CLUSTER FOR AGRICULTURAL MACHINERY**
- (71) Applicant: **CNH Industrial America LLC**, New Holland, PA (US)
- (72) Inventors: **Eric M. Jacobsthal**, Elmhurst, IL (US); **Dwayne St. George Jackson**, Auburn Hills, MI (US); **David C. Sachtleben**, Lilitz, PA (US); **David M. Wilkie**, Turin (IT)
- (73) Assignee: **CNH Industrial America LLC**, New Holland, PA (US)
- (\*\*) Term: **15 Years**
- (21) Appl. No.: **29/615,875**
- (22) Filed: **Aug. 31, 2017**
- (51) **LOC (11) Cl.** ..... **15-03**
- (52) **U.S. Cl.**  
USPC ..... **D15/28**
- (58) **Field of Classification Search**  
USPC ..... D15/28; D13/162, 164, 168; D14/217, D14/396, 400; D34/34, 35; 318/700, 318/701; 180/315, 316, 325, 19.1, 19.3, 180/90; 361/679, 680, 690; 700/90, 160, 700/17, 83; 296/70; 280/43.12, 752  
CPC ..... B62D 33/06; B60K 26/00; B60K 37/00  
See application file for complete search history.

- (56) **References Cited**  
U.S. PATENT DOCUMENTS  
6,247,768 B1 \* 6/2001 Yamaguchi ..... G07G 1/0018  
312/223.2  
D446,193 S \* 8/2001 Lavelle ..... D14/126  
D504,687 S \* 5/2005 Lee ..... D14/374  
D513,497 S \* 1/2006 Whitehouse ..... D13/162  
D520,386 S \* 5/2006 Takach ..... D10/50

- D521,002 S \* 5/2006 Rinna ..... D14/374
- D590,122 S \* 4/2009 Shaw ..... D34/35
- D651,220 S \* 12/2011 Ohtonen ..... D15/28
- D659,343 S \* 5/2012 Saitou ..... D15/28
- D669,075 S \* 10/2012 Seo ..... D14/371
- D685,397 S \* 7/2013 Anderson ..... D15/28
- D685,398 S \* 7/2013 Graham ..... D15/28
- D689,443 S \* 9/2013 Ewringmann ..... D13/164
- D690,275 S \* 9/2013 Seidl ..... D13/162
- D690,325 S \* 9/2013 Scott ..... D15/28
- D690,326 S \* 9/2013 Scott ..... D15/28
- D694,195 S \* 11/2013 Gammon ..... D13/162
- D710,785 S \* 8/2014 Jacobsthal ..... D12/415
- D715,798 S \* 10/2014 De La Cruz ..... D14/371
- D716,298 S \* 10/2014 De La Cruz ..... D14/371
- D721,740 S \* 1/2015 Schmaltz ..... D15/28
- D727,246 S \* 4/2015 Sachtleben ..... D12/415
- D731,560 S \* 6/2015 Schmaltz ..... D15/28
- D748,566 S \* 2/2016 Jacobsthal ..... D12/415
- D750,021 S \* 2/2016 Gao ..... D13/118
- D761,327 S \* 7/2016 Schmaltz ..... D15/28

(Continued)

Primary Examiner — Mark A Goodwin  
(74) Attorney, Agent, or Firm — Rickard K. DeMille; Rebecca L. Henkel

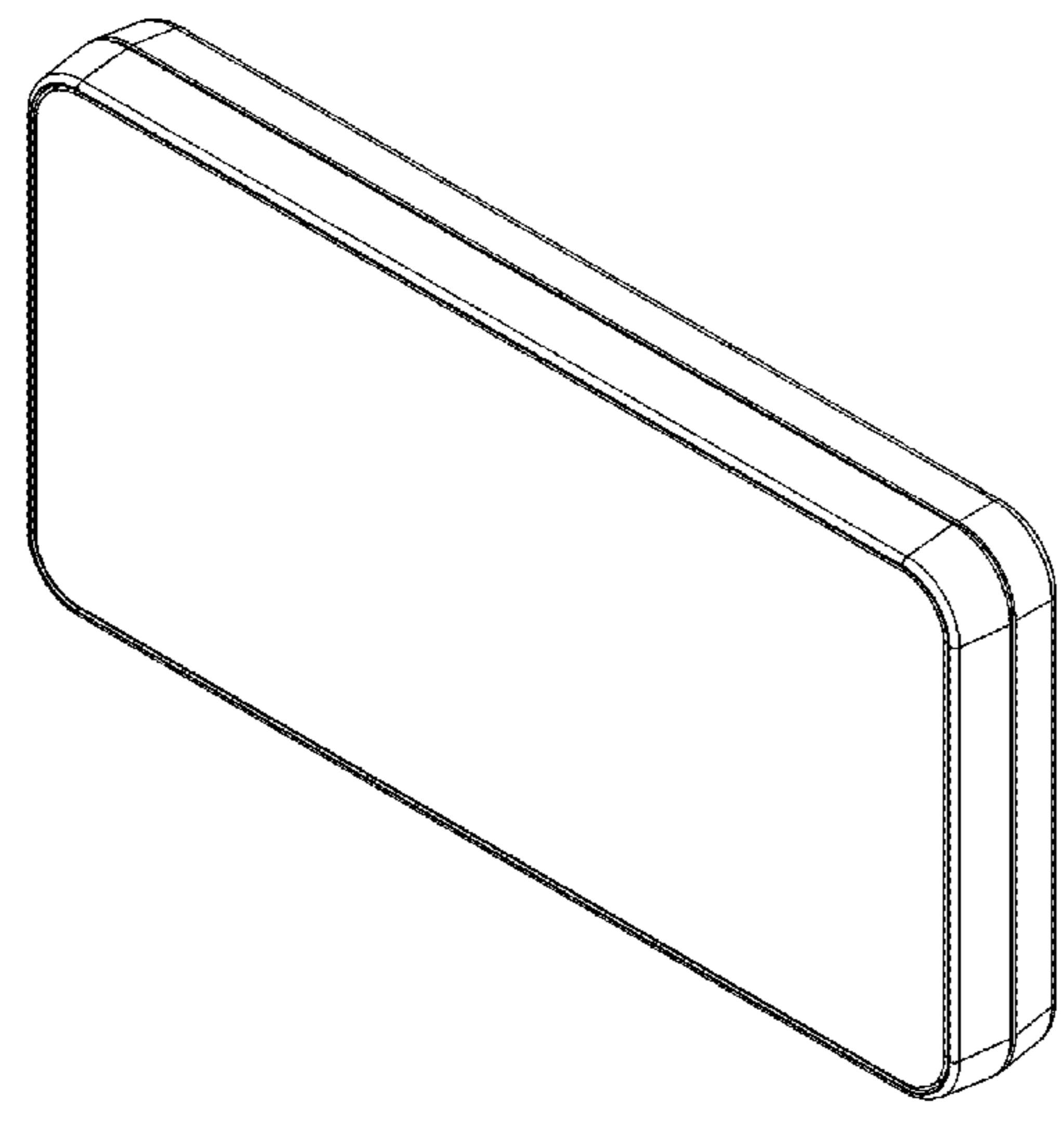
(57) **CLAIM**

The ornamental design for an instrument cluster for agricultural machinery, as shown and described.

**DESCRIPTION**

FIG. 1 is a front perspective view of an instrument cluster for agricultural machinery of the present design; FIG. 2 is a rear perspective view thereof; FIG. 3 is a top view thereof; FIG. 4 is a front view thereof; FIG. 5 is a bottom view thereof; FIG. 6 is a side view thereof; FIG. 7 is an opposite side view thereof; and, FIG. 8 is a rear view thereof.

**1 Claim, 3 Drawing Sheets**



(56)

**References Cited**

U.S. PATENT DOCUMENTS

D762,642 S *	8/2016	Johnson .....	D14/341
D763,929 S *	8/2016	Schmaltz .....	D15/28
D801,968 S *	11/2017	Johnson .....	D14/371
D811,444 S *	2/2018	Chia .....	D15/28
D811,445 S *	2/2018	Chia .....	D15/28
D811,446 S *	2/2018	Chia .....	D15/28
D811,447 S *	2/2018	Schauf .....	D15/28
D826,287 S *	8/2018	Johnson .....	D15/28

\* cited by examiner

Fig. 1

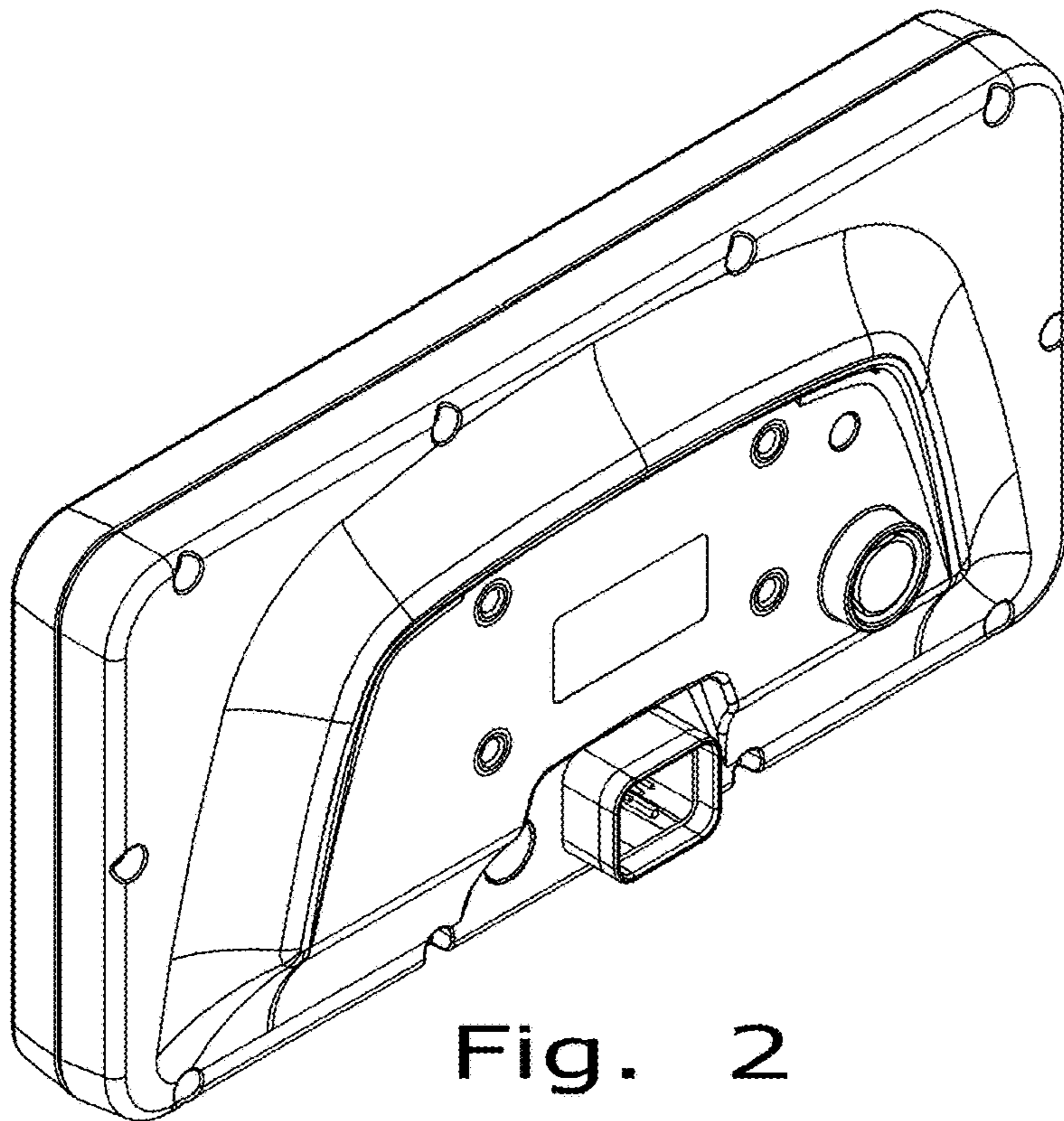
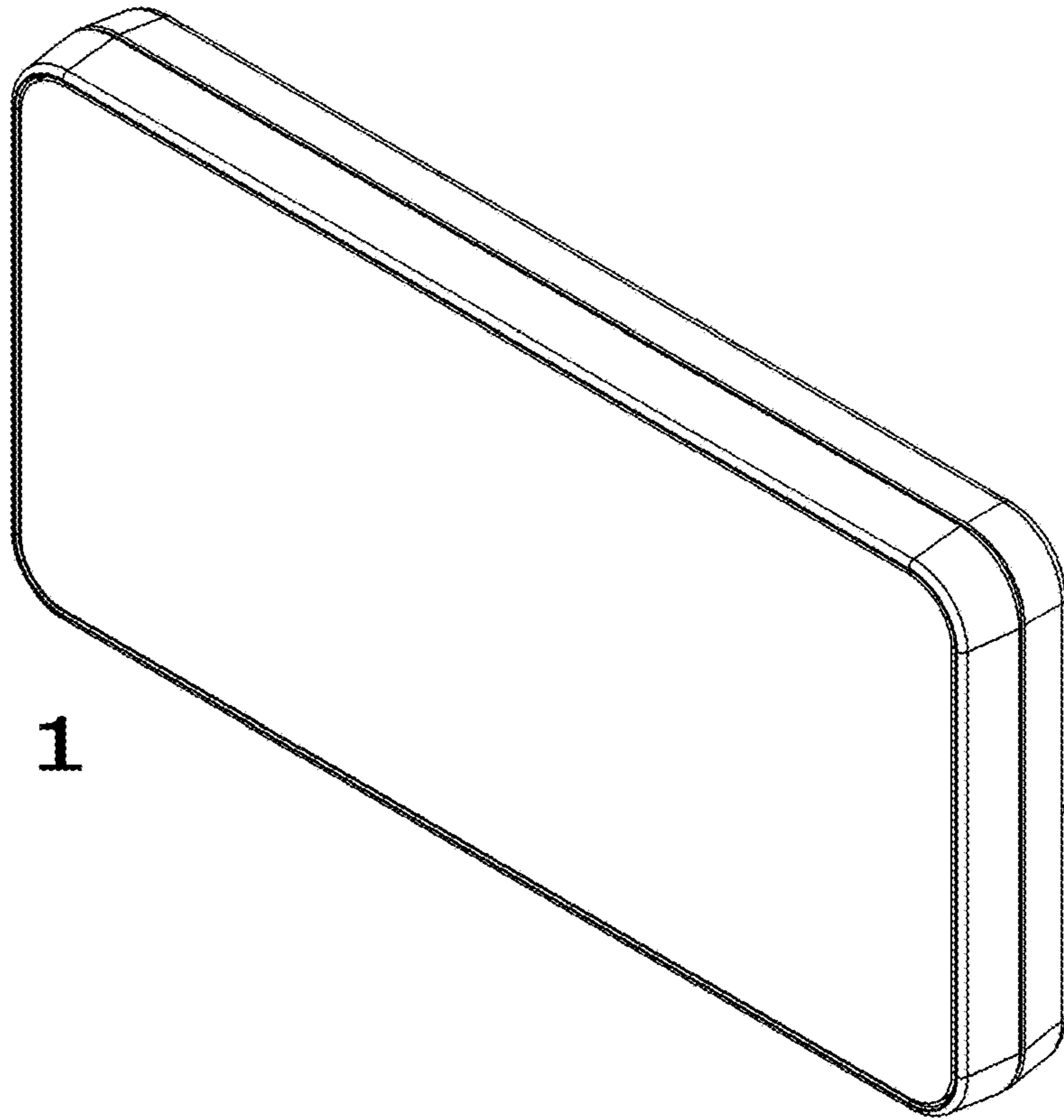


Fig. 2

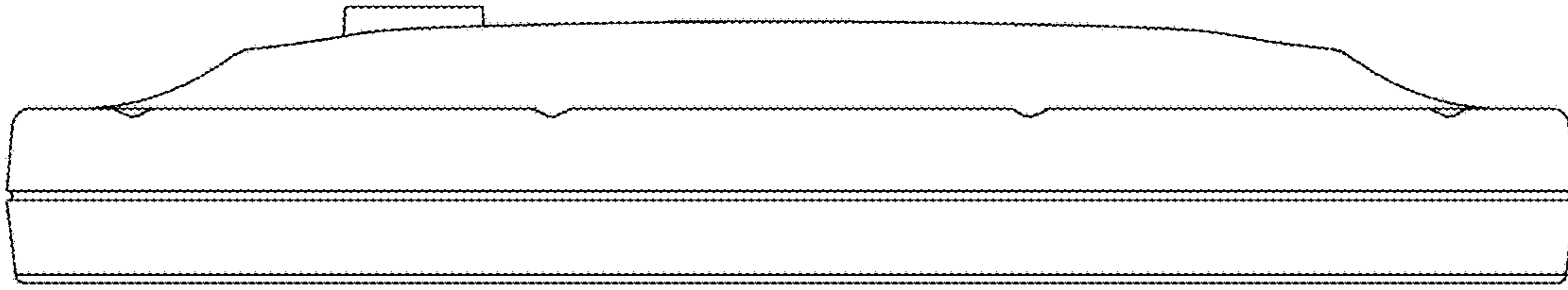


Fig. 3

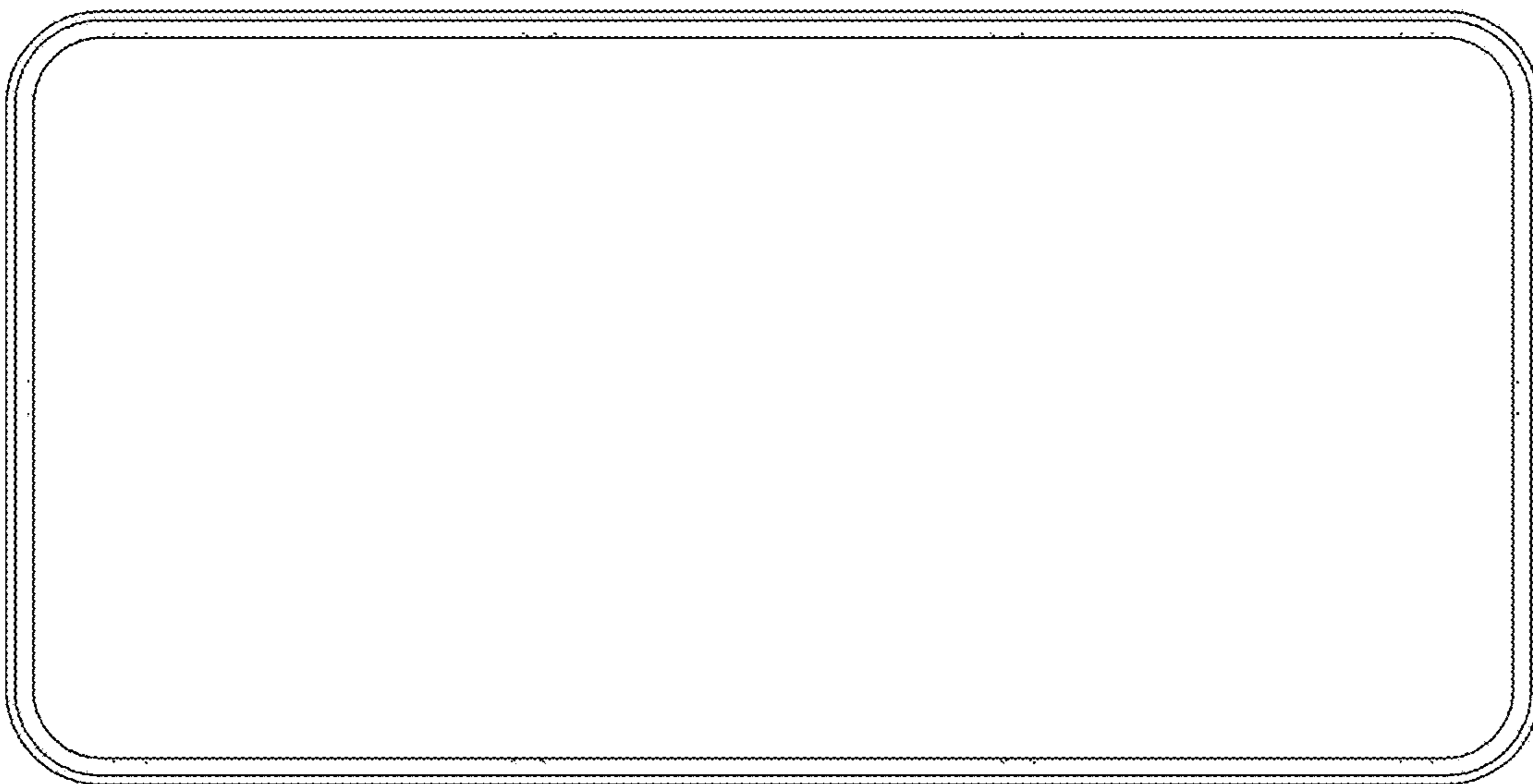


Fig. 4

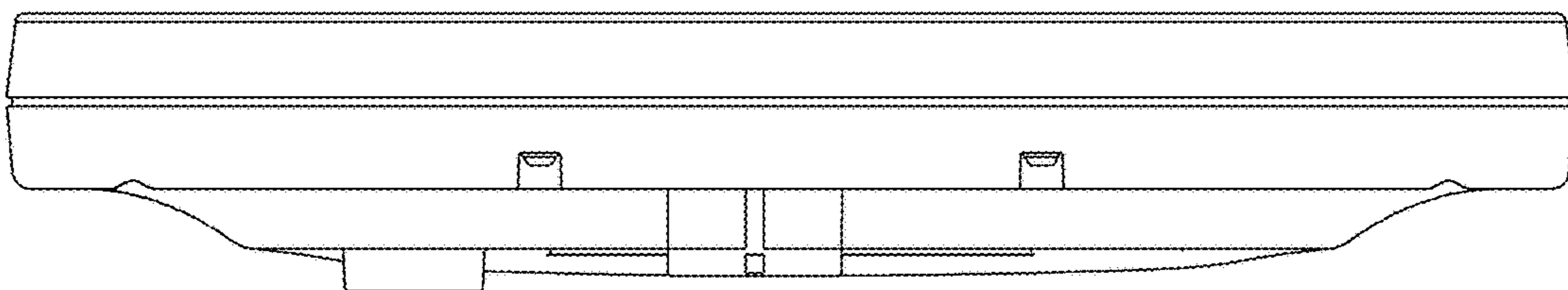


Fig. 5



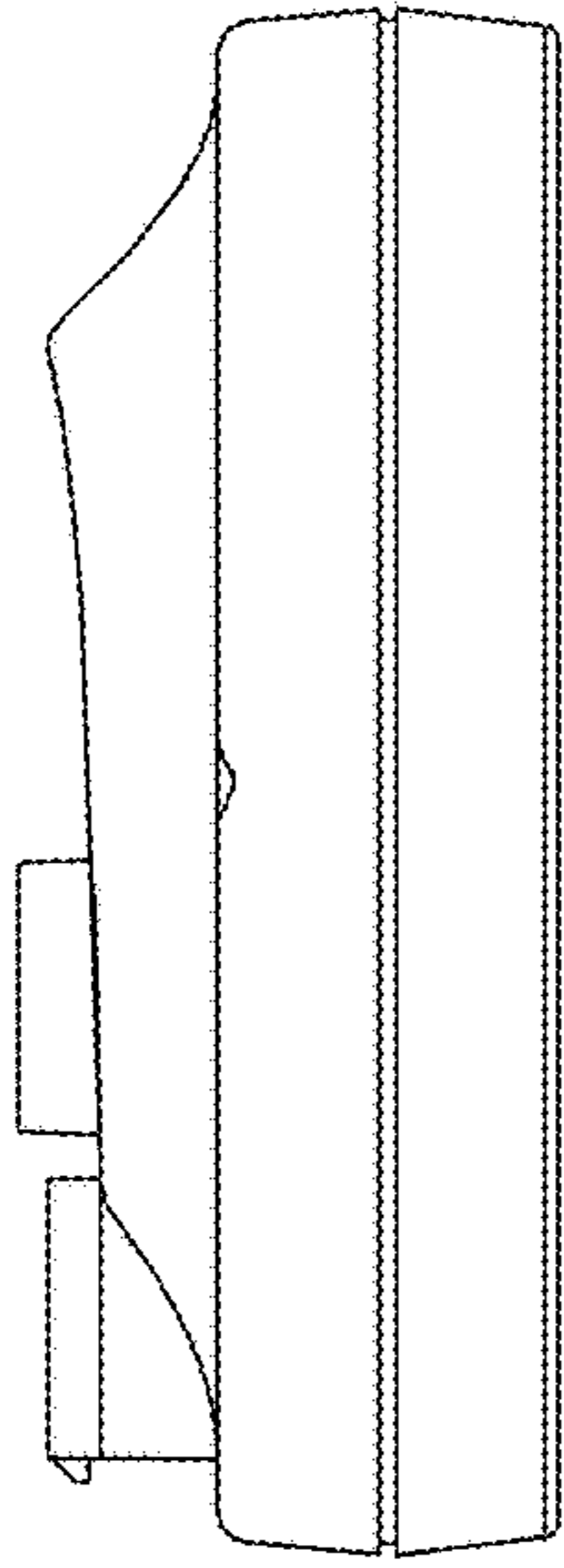


Fig. 6

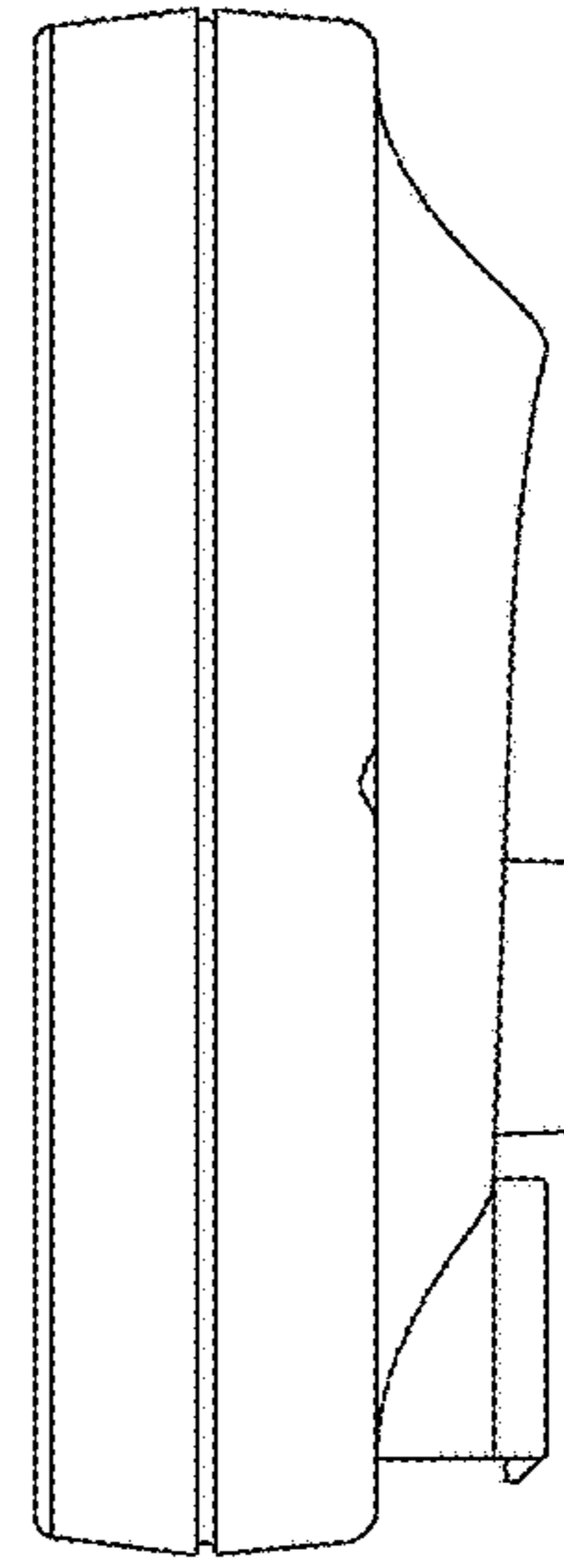


Fig. 7

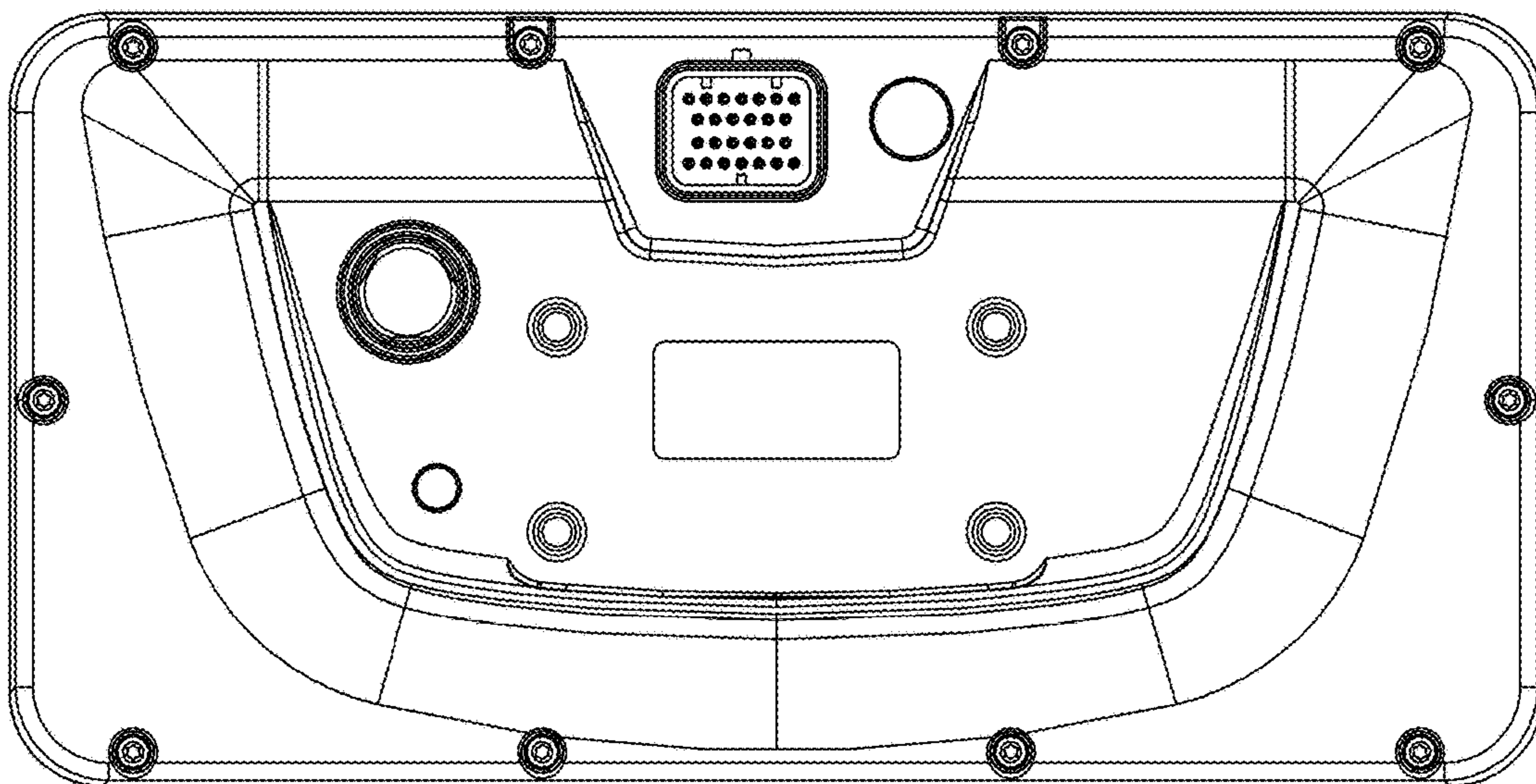


Fig. 8