



US00D844673S

(12) **United States Design Patent** (10) **Patent No.:** **US D844,673 S**  
**Stolarski** (45) **Date of Patent:** **\*\* Apr. 2, 2019**

(54) **SNOWPLOW**

(71) Applicant: **SAMASZ SP. Z.O.O.**, Zabłudow (PL)

(72) Inventor: **Antoni Stolarski**, Bialystok (PL)

(73) Assignee: **SAMASZ SP. Z O.O.**, Bialystok (PL)

(\*\*) Term: **15 Years**

(21) Appl. No.: **29/628,980**

(22) Filed: **Dec. 9, 2017**

(51) **LOC (11) Cl.** ..... **15-03**

(52) **U.S. Cl.**  
 USPC ..... **D15/11**

(58) **Field of Classification Search**  
 USPC ..... D15/10, 11, 22-28, 32; 37/196, 266  
 CPC ..... E01H 5/06-5/062; E02F 3/76-3/848  
 See application file for complete search history.

6,526,677 B1 \* 3/2003 Bloxdorf ..... E01H 5/06  
 37/231

6,594,923 B1 7/2003 Kost et al.

6,615,513 B2 9/2003 Quenzi et al.

6,711,837 B2 3/2004 Bloxdorf et al.

6,860,039 B2 3/2005 Schultz et al.

6,874,582 B2 4/2005 Hollinrake et al.

6,928,757 B2 8/2005 Bloxdorf et al.

6,941,685 B2 \* 9/2005 Goy ..... E01H 5/06  
 172/816

6,944,978 B2 9/2005 LeBlond et al.

6,964,121 B2 11/2005 Harris

7,134,227 B2 11/2006 Quenzi et al.

7,171,769 B2 2/2007 Schultz et al.

7,171,770 B2 2/2007 Schultz et al.

7,191,846 B2 \* 3/2007 Matsumoto ..... E02F 3/815  
 172/811

7,401,658 B2 \* 7/2008 Matsumoto ..... E02F 3/7613  
 172/811

7,430,821 B2 10/2008 LeBlond et al.  
 (Continued)

FOREIGN PATENT DOCUMENTS

CA 2552633 1/2010

*Primary Examiner* — Mark A Goodwin

(74) *Attorney, Agent, or Firm* — Andrzej Malarz, Esq.

(56) **References Cited**

U.S. PATENT DOCUMENTS

3,987,562 A \* 10/1976 Deen ..... E01H 5/06  
 37/231

5,121,562 A \* 6/1992 Feller ..... E02F 3/80  
 37/232

5,515,623 A \* 5/1996 Weeks ..... E01H 5/066  
 239/159

5,638,618 A \* 6/1997 Niemela ..... E01H 5/06  
 172/782

5,706,591 A \* 1/1998 Wissmiller ..... E01H 5/06  
 172/272

D395,436 S \* 6/1998 Hagenbuch ..... D15/32

5,909,960 A 6/1999 Ager et al.

6,151,808 A 11/2000 Curtis

6,178,669 B1 1/2001 Quenzi et al.

6,209,231 B1 3/2001 Curtis

6,219,943 B1 \* 4/2001 Kitchell ..... E01H 5/063  
 172/811

6,393,737 B2 5/2002 Quenzi et al.

6,408,549 B1 6/2002 Quenzi et al.

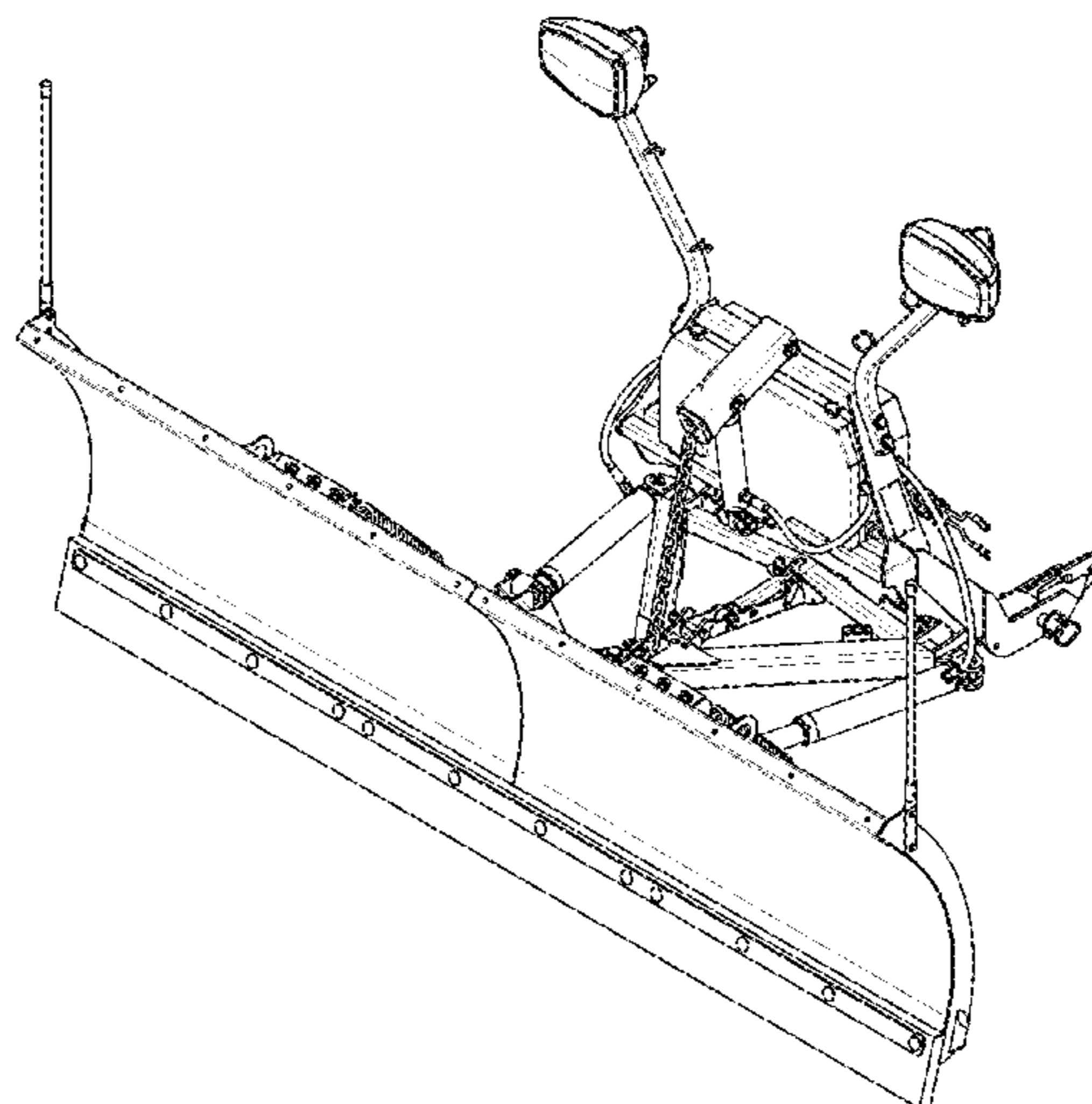
(57) **CLAIM**

The ornamental design for snowplow, as shown and described.

DESCRIPTION

FIG. 1 is a front top left side perspective view of snowplow showing my new design;  
 FIG. 2 is a front top right side perspective view thereof;  
 FIG. 3 is a rear top left side perspective view thereof;  
 FIG. 4 is a left side elevational view thereof;  
 FIG. 5 is a rear elevational view thereof; and,  
 FIG. 6 is a top plan view thereof.

1 Claim, 6 Drawing Sheets



(56)

**References Cited**

U.S. PATENT DOCUMENTS

7,658,022 B2 *	2/2010	Strait .....	E01H 5/063 37/232	2004/0006895 A1	1/2004	Schultz et al.	
7,681,334 B2	3/2010	LeBlond et al.		2004/0079002 A1 *	4/2004	Goy .....	E01H 5/06 37/231
7,797,859 B2	9/2010	LeBlond et al.		2004/0144001 A1 *	7/2004	Potak .....	B60R 9/06 37/231
7,841,110 B2	11/2010	Koch et al.		2009/0223091 A1 *	9/2009	Livingston .....	E01H 5/06 37/283
7,963,052 B2	6/2011	Koch et al.		2009/0282706 A1 *	11/2009	Barker .....	E01H 5/061 37/196
8,191,288 B2 *	6/2012	Weagley .....	E01H 5/06 172/702	2010/0175281 A1	7/2010	LeBlond et al.	
D672,370 S *	12/2012	Becker .....	D15/28	2013/0232827 A1 *	9/2013	Summers .....	E01H 5/062 37/232
8,522,458 B2	9/2013	Gendreau		2014/0237865 A1	8/2014	Jones et al.	
D692,927 S *	11/2013	Jones .....	D15/32	2015/0152613 A1 *	6/2015	Ockunzzi .....	E01H 5/061 37/266
8,739,437 B2	6/2014	Ropog et al.		2016/0076285 A1	3/2016	Jones et al.	
8,850,724 B2	10/2014	Bloxdorf		2016/0138233 A1 *	5/2016	Barker .....	E01H 5/061 37/231
9,096,979 B2	8/2015	Larsen		2017/0284045 A1 *	10/2017	Holman .....	E01H 5/062
9,200,418 B2	12/2015	Jones et al.		2017/0328021 A1 *	11/2017	Miller .....	E01H 5/066
D749,151 S *	2/2016	McAdam .....	D15/32				
D792,913 S *	7/2017	Guggino .....	D15/32				
9,751,452 B2	9/2017	Orazem					

\* cited by examiner

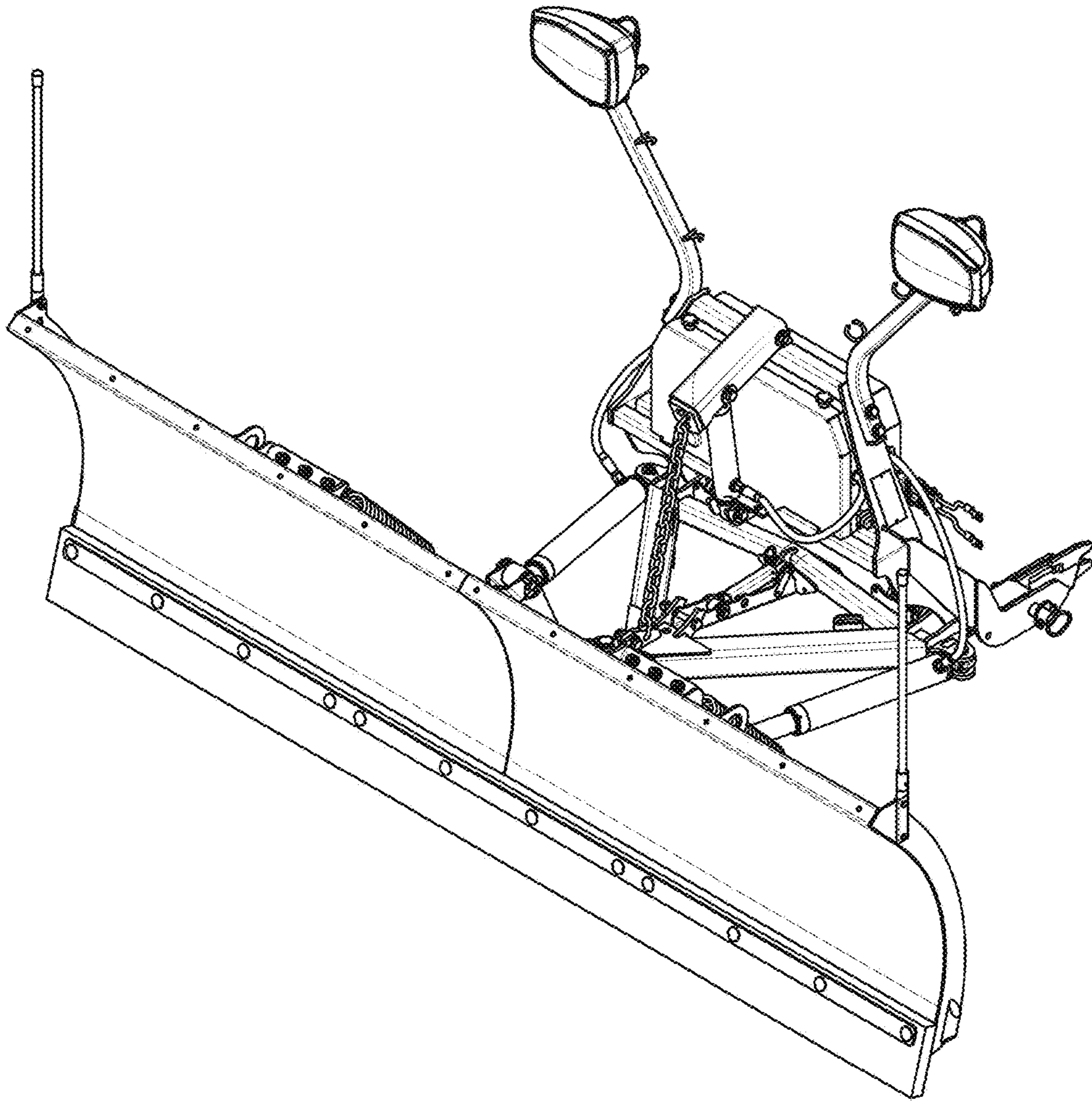


FIG. 1

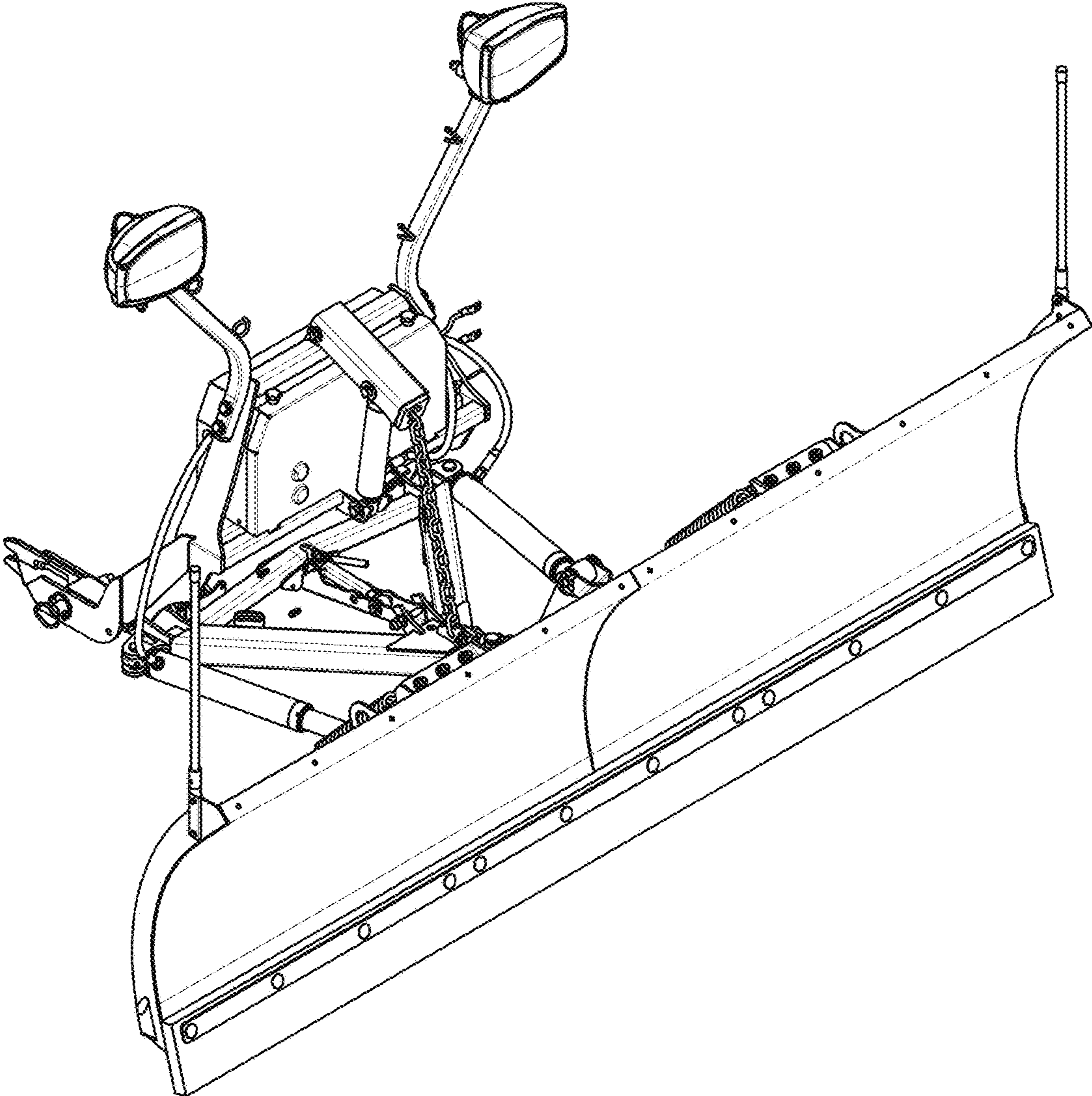


FIG. 2

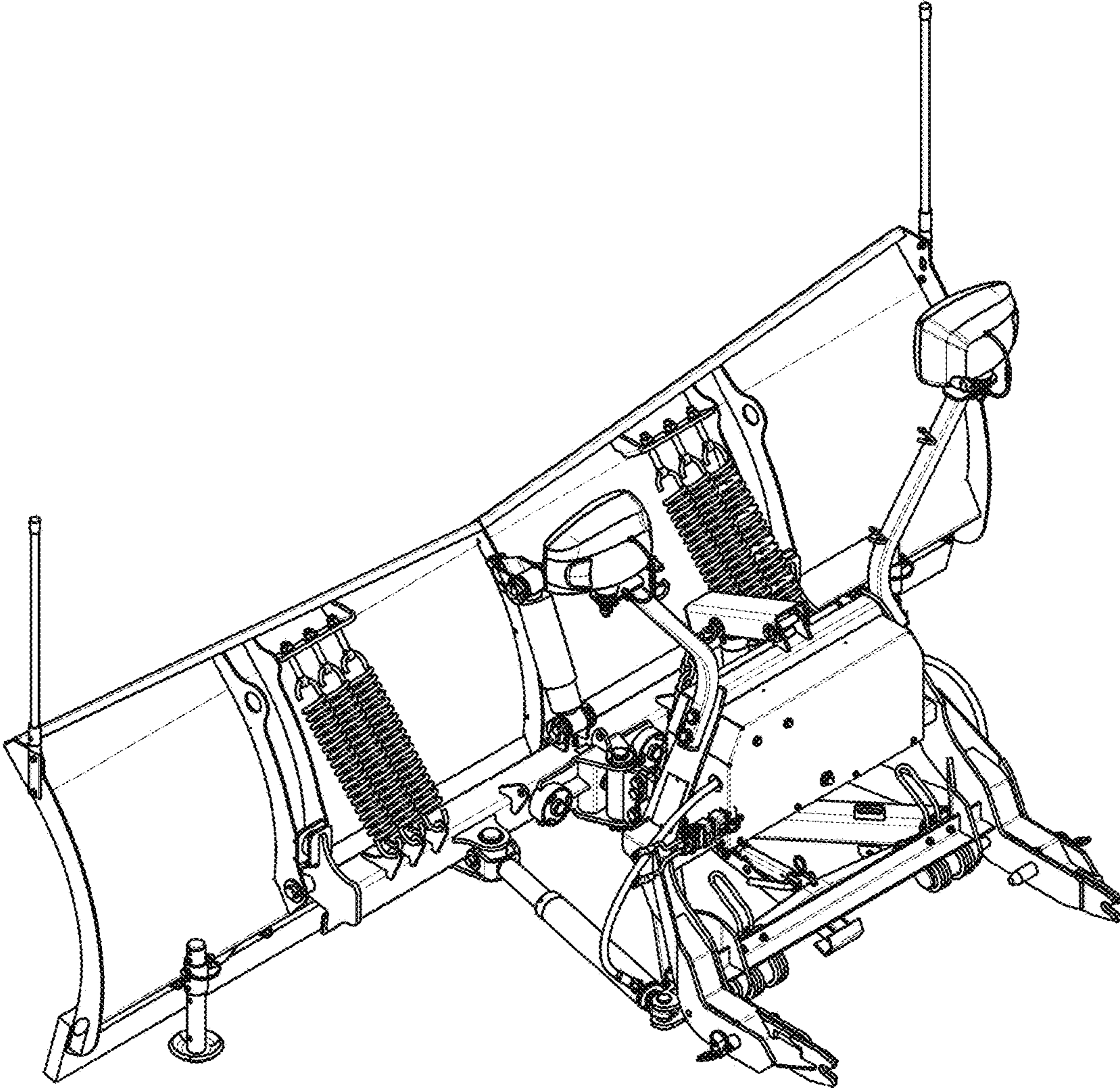


FIG. 3

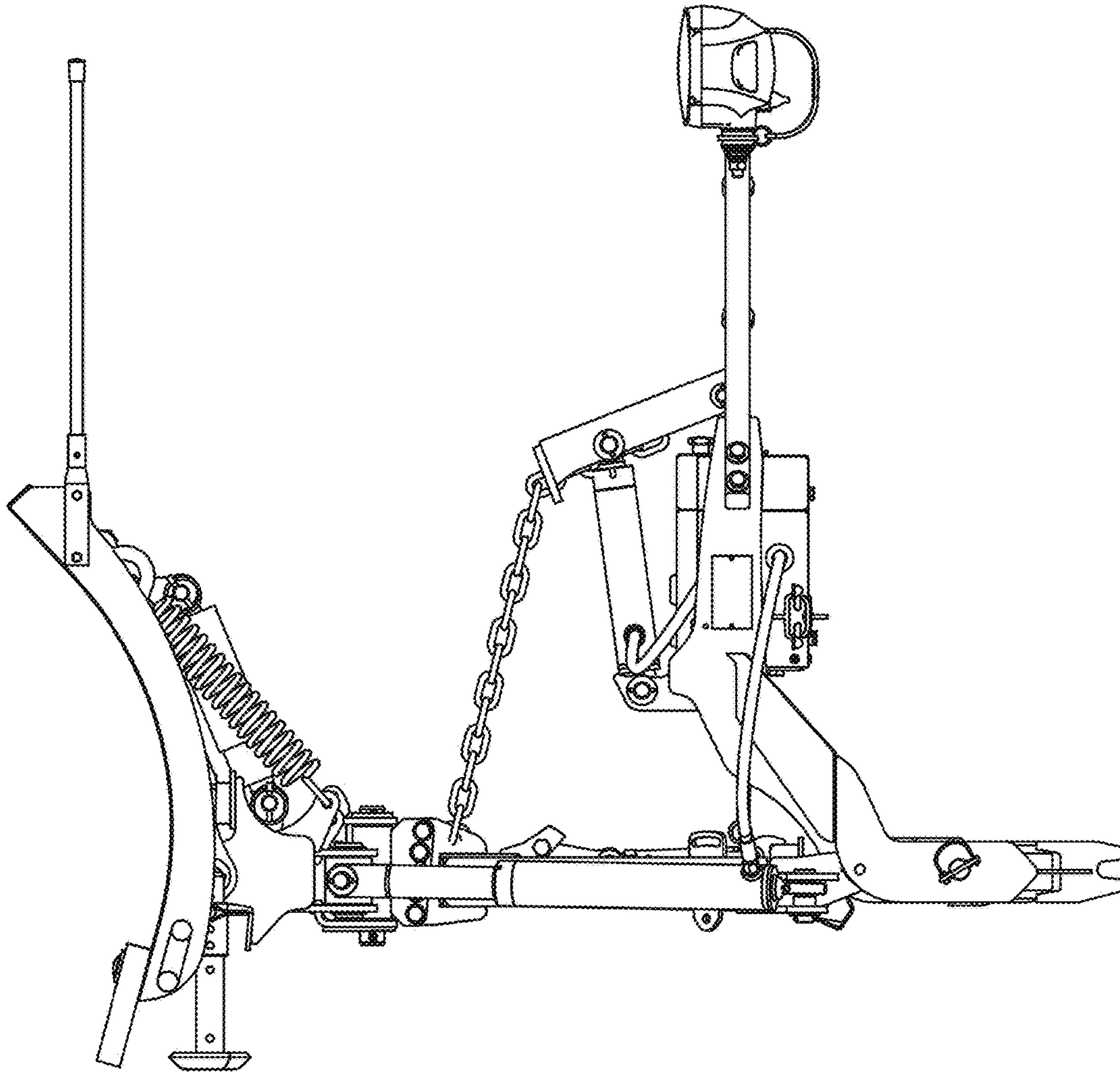


FIG. 4

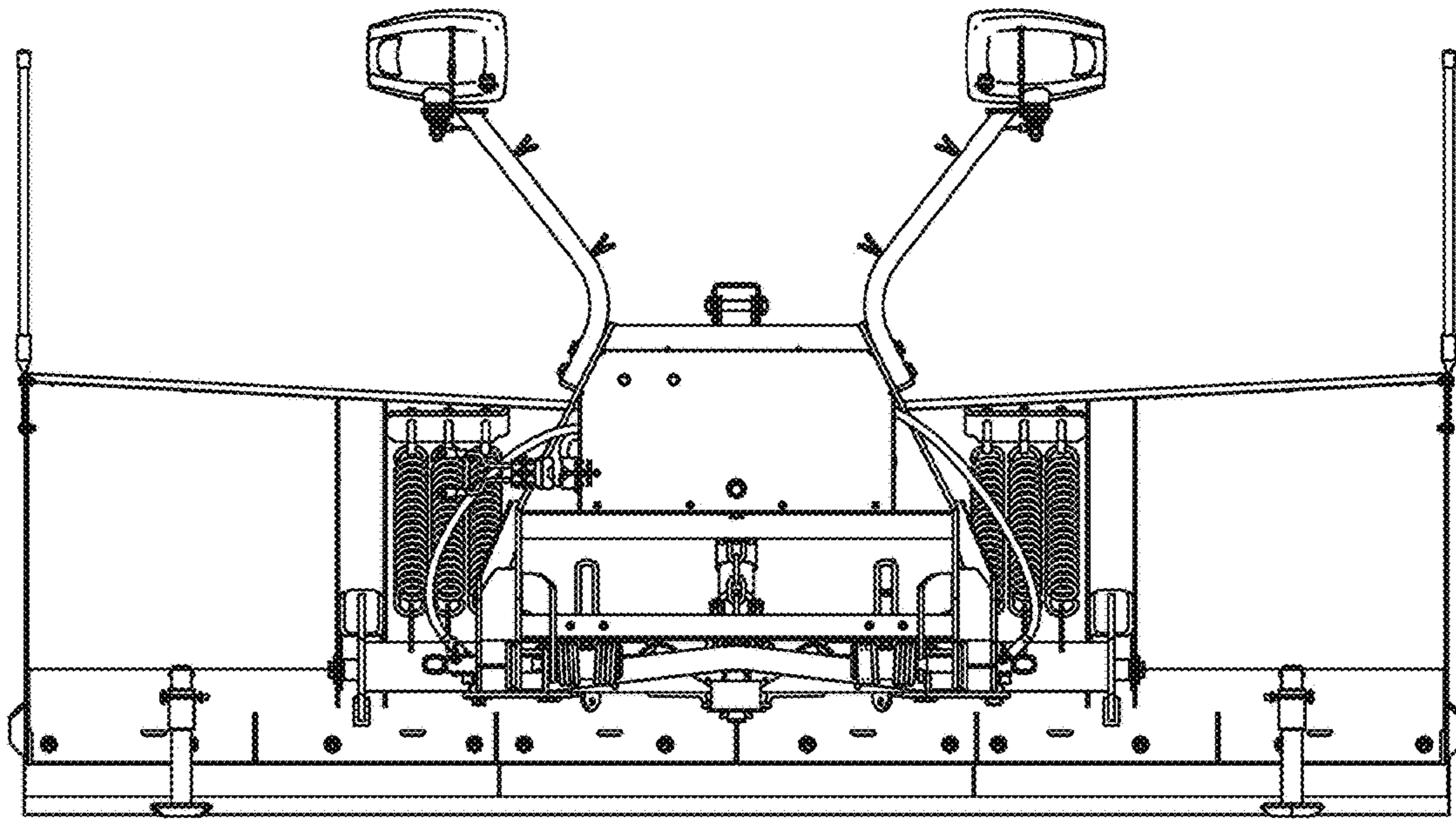


FIG. 5

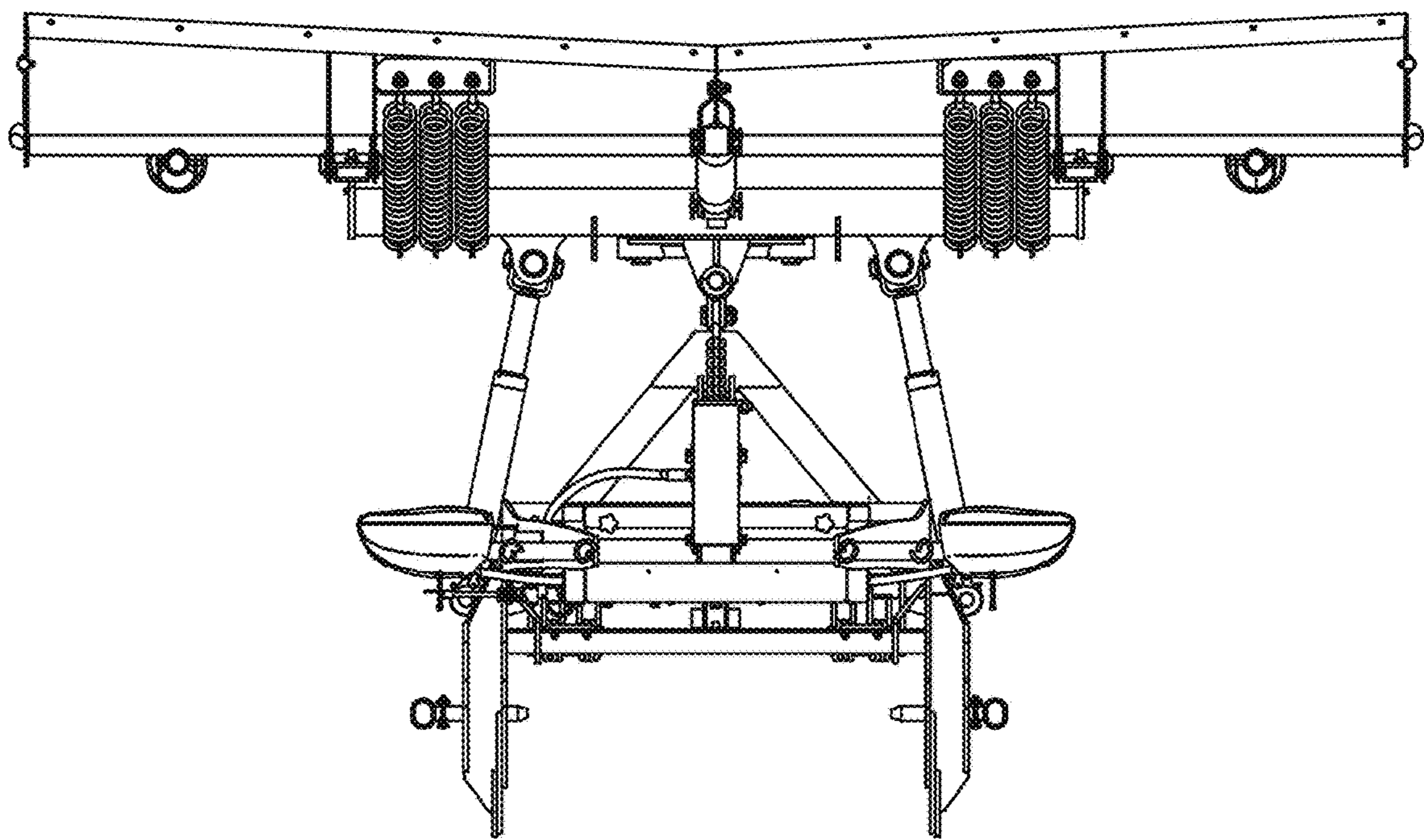


FIG. 6