



US00D844672S

(12) **United States Design Patent** (10) **Patent No.:** **US D844,672 S**  
**Walmsley et al.** (45) **Date of Patent:** **\*\* Apr. 2, 2019**

(54) **PUMP**

(71) Applicant: **Walmsley Developments Pty Ltd**,  
Mount Waverley (AU)

(72) Inventors: **Byron Walmsley**, Mount Waverley  
(AU); **Albert Walmsley**, Canning Vale  
(AU); **Roland Walmsley**, Canning Vale  
(AU)

(73) Assignee: **WALMSLEY DEVELOPMENTS  
PTY LTD**, Victoria (AU)

(\*\*) Term: **15 Years**

(21) Appl. No.: **29/631,824**

(22) Filed: **Jan. 3, 2018**

(30) **Foreign Application Priority Data**

Jul. 3, 2017 (AU) ..... 201714059  
 Jul. 3, 2017 (AU) ..... 201714060

(51) **LOC (11) Cl.** ..... **15-02**

(52) **U.S. Cl.**  
 USPC ..... **D15/7**

(58) **Field of Classification Search**  
 USPC ..... D15/7-9; D23/231, 232, 225; 417/60,  
 417/235, 265, 321, 355, 358, 363, 359,  
 417/410.1, 411, 415-416, 405, 900, 269,  
 417/539; 60/408, 412; 184/26-37;  
 415/140-147; 123/495, 509; 137/565.34  
 CPC ..... F02M 37/04; F02M 37/14; F04B 53/92;  
 F04B 1/005; F04D 13/06; F04D 29/22;  
 F04D 29/046; F04D 29/2266

See application file for complete search history.

(56) **References Cited**

U.S. PATENT DOCUMENTS

D354,753 S *	1/1995	Turner, III	.....	D15/7
D429,736 S *	8/2000	Flynn	.....	D15/7
D498,483 S *	11/2004	Chen	.....	D15/9
D609,634 S *	2/2010	Daniels	.....	D13/107
D620,500 S *	7/2010	Brandt	.....	D15/9
D624,877 S *	10/2010	Daniels	.....	D13/107
D705,818 S *	5/2014	Chen	.....	D15/7
D759,727 S *	6/2016	Jiang	.....	D15/9
D807,404 S *	1/2018	Mantes	.....	D15/7
D815,152 S *	4/2018	Berry	.....	D15/7
D826,283 S *	8/2018	Mead	.....	D15/7

\* cited by examiner

*Primary Examiner* — Ralf Seifert

(74) *Attorney, Agent, or Firm* — Cantor Colburn LLP

(57) **CLAIM**

The ornamental design for pump, as shown and described.

**DESCRIPTION**

FIG. 1 is a front perspective view of a pump, showing our new design;

FIG. 2 is a rear perspective view of the embodiment shown in FIG. 1;

FIG. 3 is a front view of the embodiment shown in FIG. 1;

FIG. 4 is a rear view of the embodiment shown in FIG. 1;

FIG. 5 is a side view of the embodiment shown in FIG. 1;

FIG. 6 is another side view of the embodiment shown in FIG. 1;

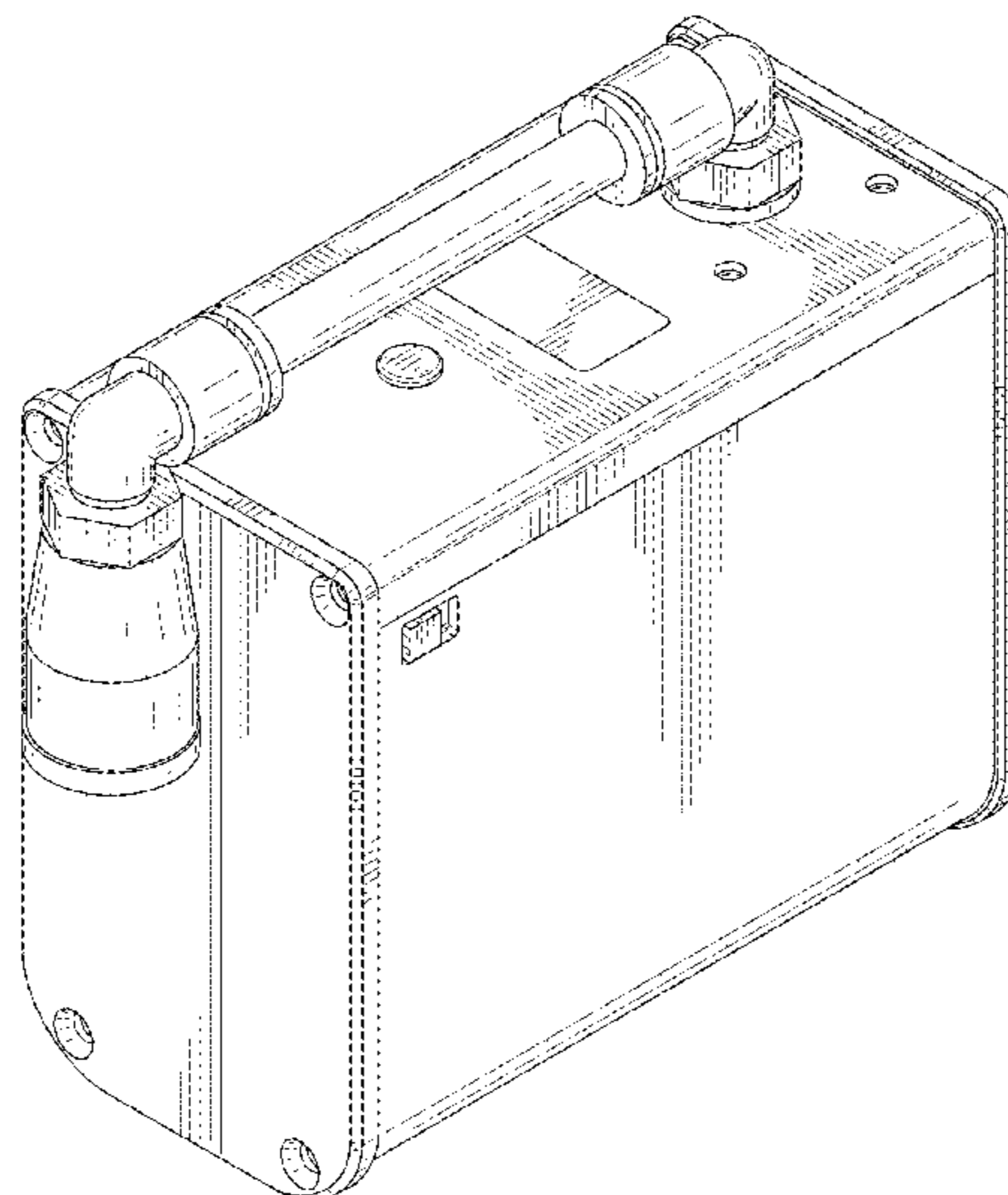
FIG. 7 is a top view of the embodiment shown in FIG. 1;

and,

FIG. 8 is a bottom view of the embodiment shown in FIG. 1.

The broken lines are for environmental purposes only form no part of the claimed design.

**1 Claim, 8 Drawing Sheets**



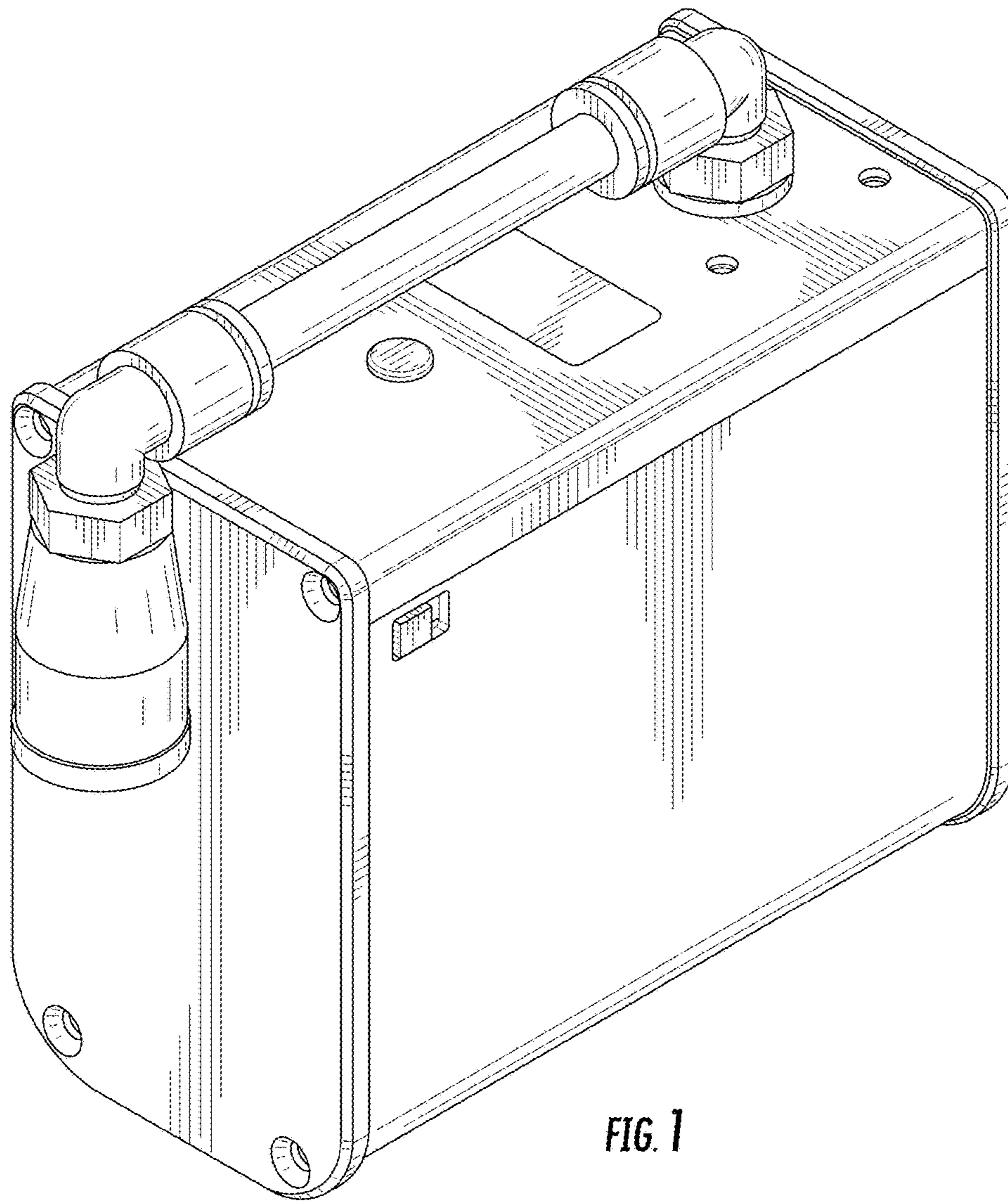


FIG. 1

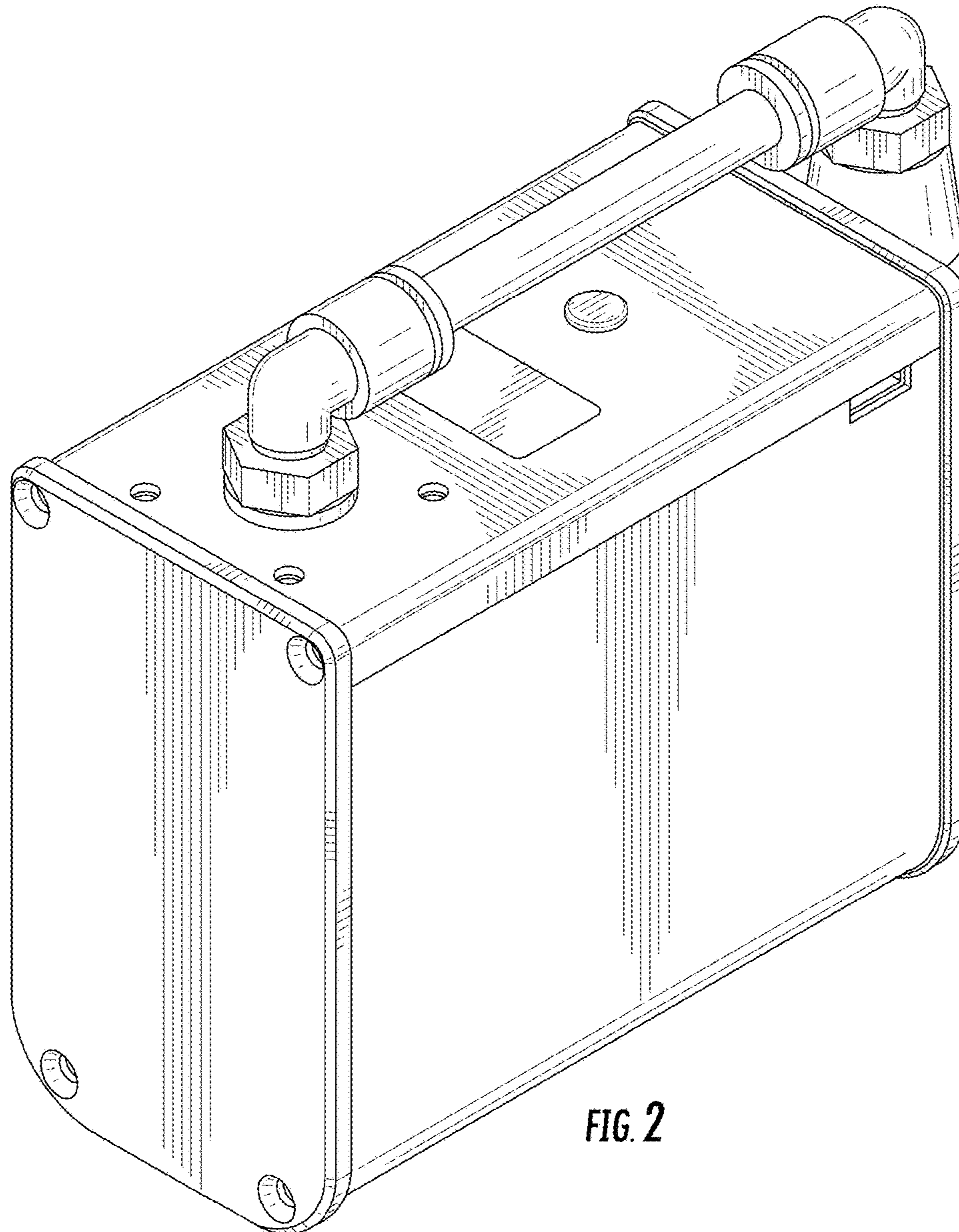


FIG. 2

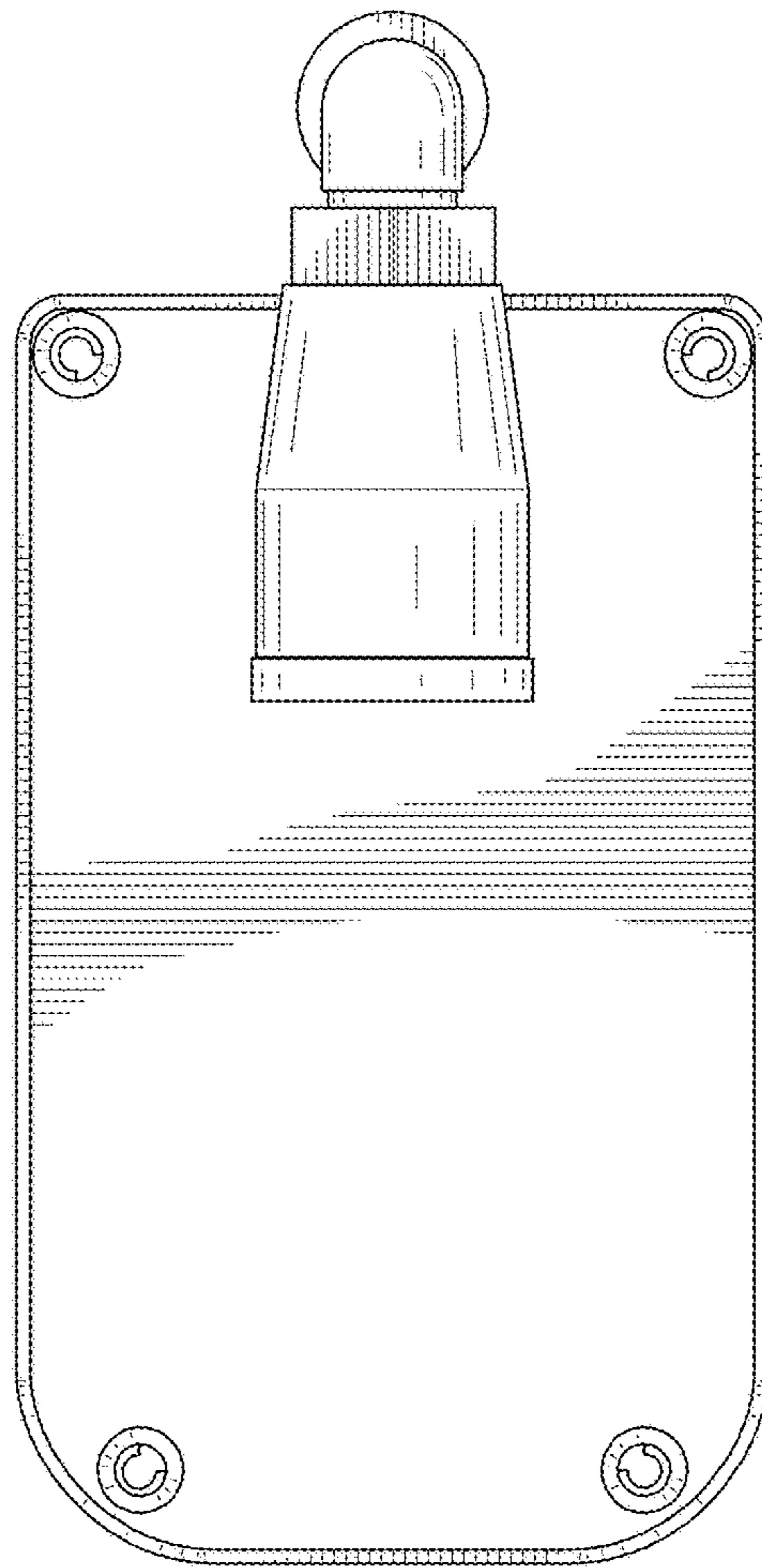


FIG. 3



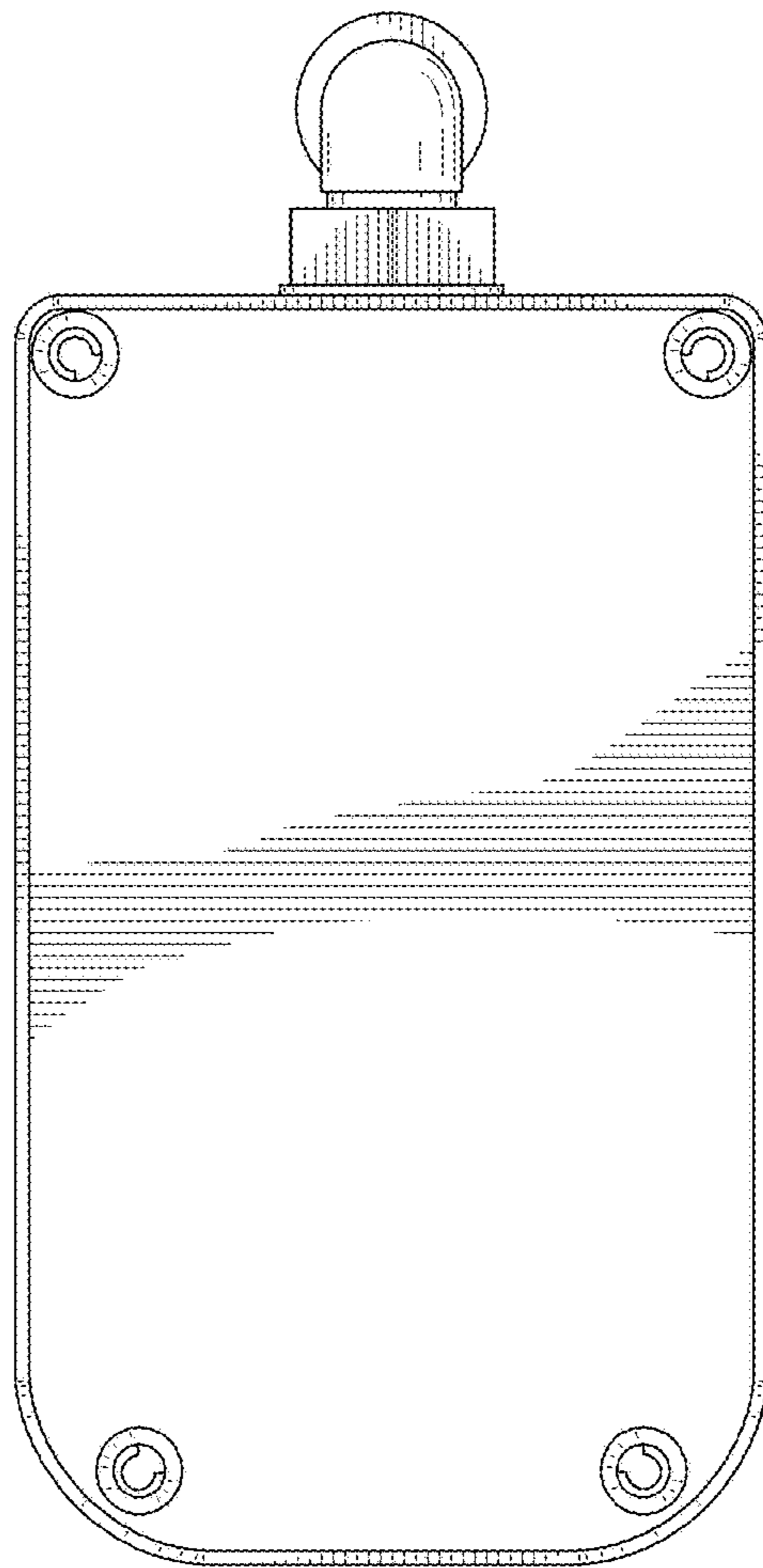


FIG. 4

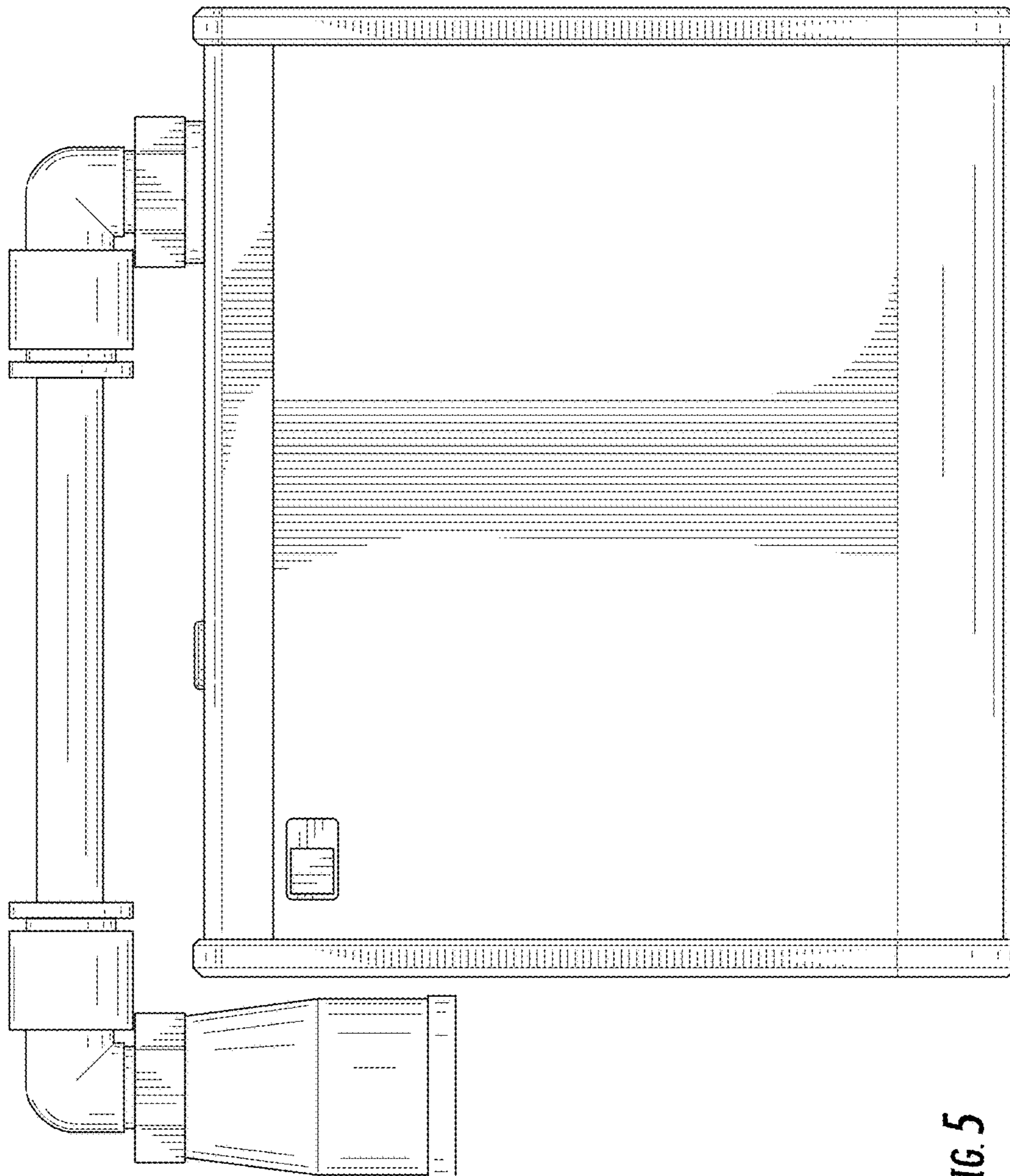


FIG. 5

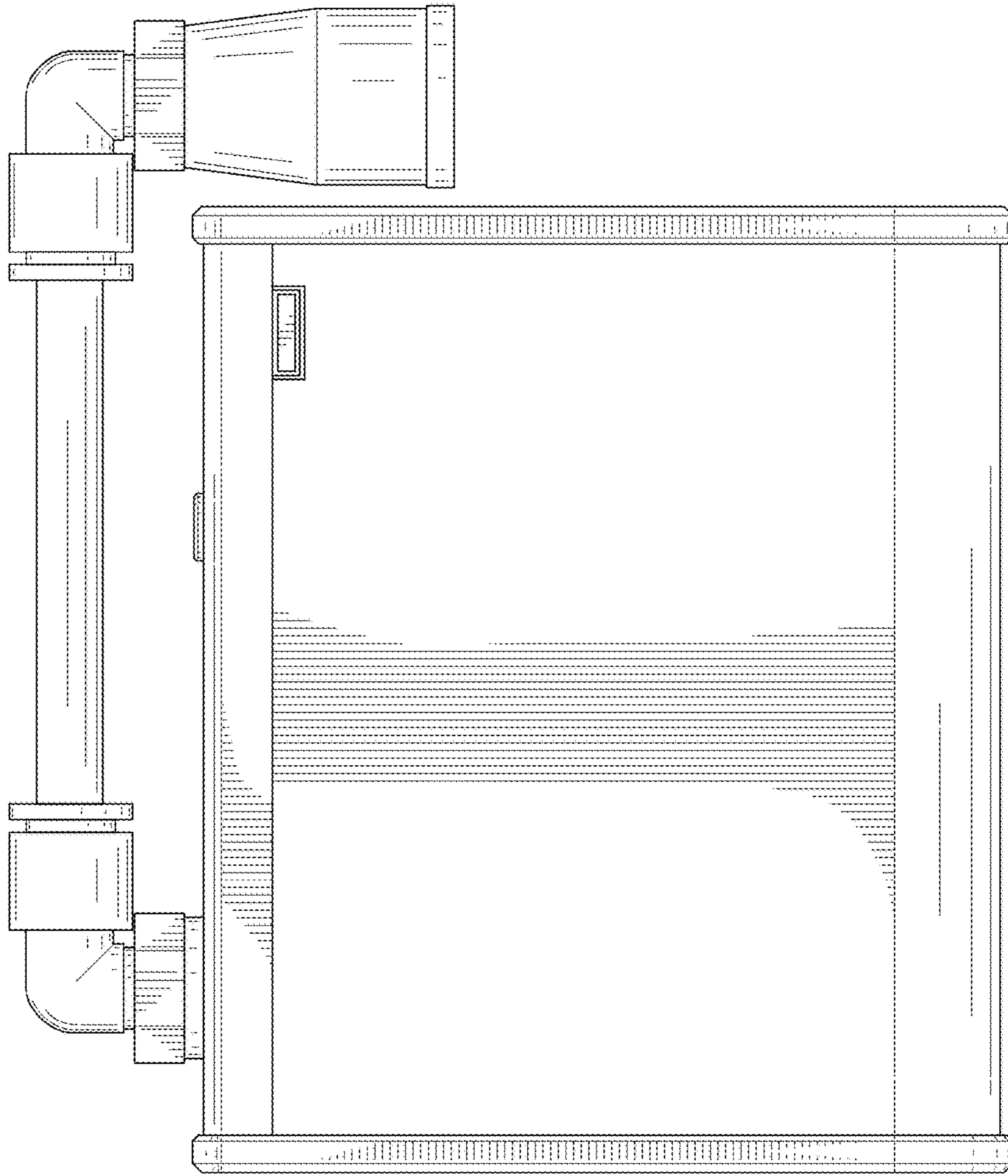


FIG. 6

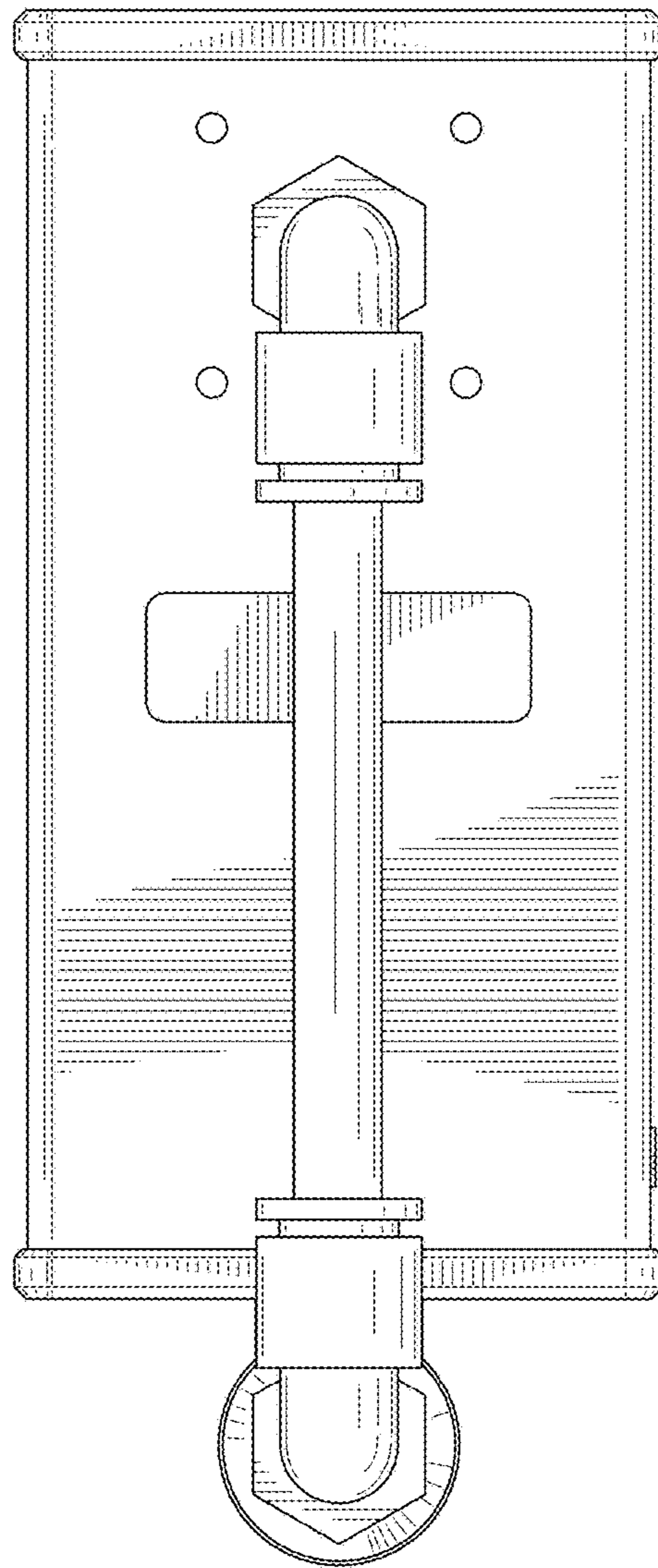


FIG. 7



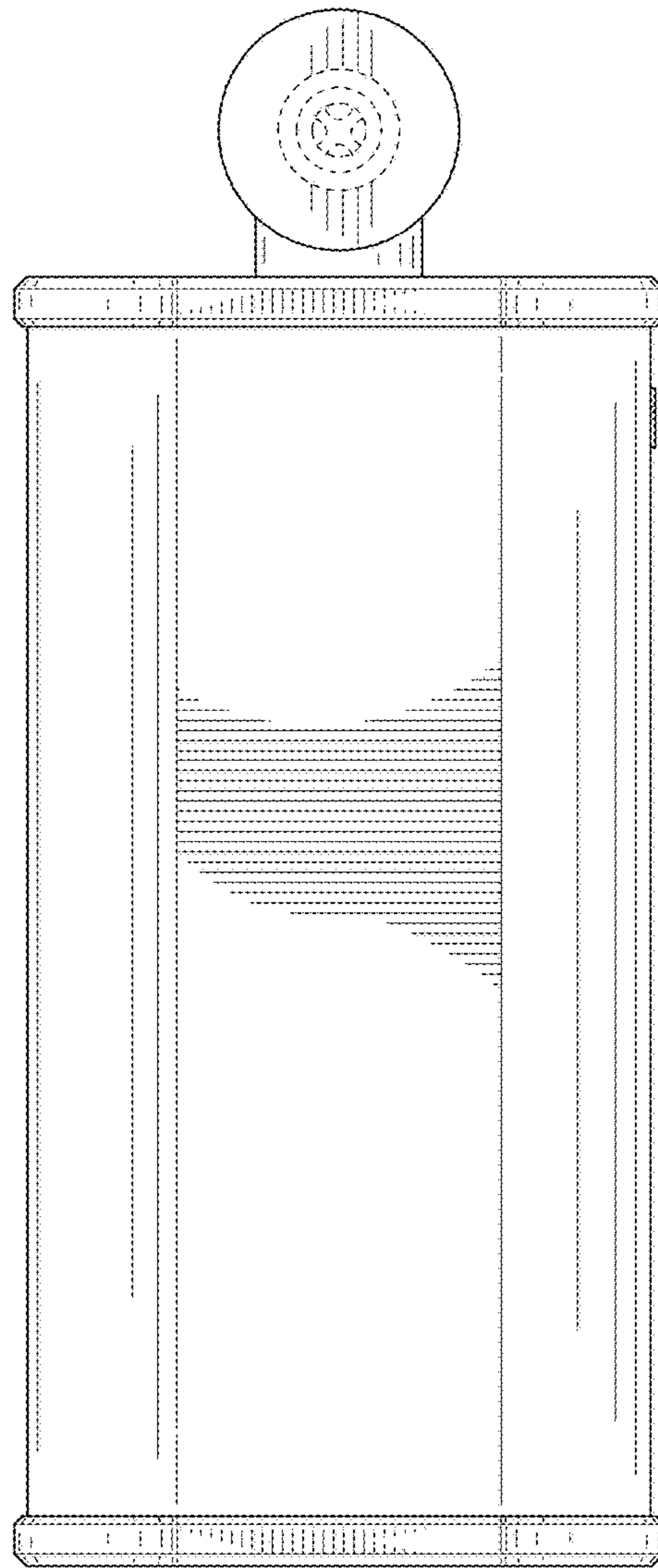


FIG. 8