



US00D844671S

(12) **United States Design Patent** (10) **Patent No.:** **US D844,671 S**
Walmsley et al. (45) **Date of Patent:** **** Apr. 2, 2019**

(54) **PUMP**

(56) **References Cited**

(71) Applicant: **Walmsley Developments Pty Ltd,**
Mount Waverley (AU)

(72) Inventors: **Byron Walmsley,** Mount Waverley
(AU); **Albert Walmsley,** Canning Vale
(AU); **Roland Walmsley,** Canning Vale
(AU)

(73) Assignee: **WALMSLEY DEVELOPMENTS**
PTY LTD, Mount Waverley (AU)

U.S. PATENT DOCUMENTS

D301,887 S *	6/1989	Price	D15/7
D333,664 S *	3/1993	Carroll	D15/7
D403,329 S *	12/1998	Walker	D15/7
D404,400 S *	1/1999	Wang	D15/7
D435,562 S *	12/2000	Clivio	D15/7
D445,804 S *	7/2001	Tsai	D15/7
D504,900 S *	5/2005	Wang	D15/7
D505,429 S *	5/2005	Wang	D15/7
D558,231 S *	12/2007	Vivar	D15/7
D705,818 S *	5/2014	Chen	D15/7
D759,727 S *	6/2016	Jiang	D15/9
D815,152 S *	4/2018	Berry	D15/7

(**) Term: **15 Years**

* cited by examiner

(21) Appl. No.: **29/631,821**

Primary Examiner — Ralf Seifert

(22) Filed: **Jan. 3, 2018**

(74) *Attorney, Agent, or Firm* — Cantor Colburn LLP

(30) **Foreign Application Priority Data**

(57) **CLAIM**

The ornamental design for pump, as shown and described.

Jul. 3, 2017 (AU) 201714059
 Jul. 3, 2017 (AU) 201714060

DESCRIPTION

(51) **LOC (11) Cl.** **15-02**

FIG. 1 is a front perspective view of a pump, showing our new design;

(52) **U.S. Cl.**
USPC **D15/7**

FIG. 2 is a rear perspective view of the embodiment shown in FIG. 1;

(58) **Field of Classification Search**
 USPC D15/7-9; D23/231, 232, 225; 417/60,
 417/235, 265, 321, 355, 358, 363, 359,
 417/410.1, 411, 415-416, 405, 900, 269,
 417/539; 60/408, 412; 184/26-37;
 415/140-147; 123/495, 509; 137/565.34

FIG. 3 is a front view of the embodiment shown in FIG. 1;
 FIG. 4 is a rear view of the embodiment shown in FIG. 1;
 FIG. 5 is a side view of the embodiment shown in FIG. 1;
 FIG. 6 is another side view of the embodiment shown in FIG. 1;

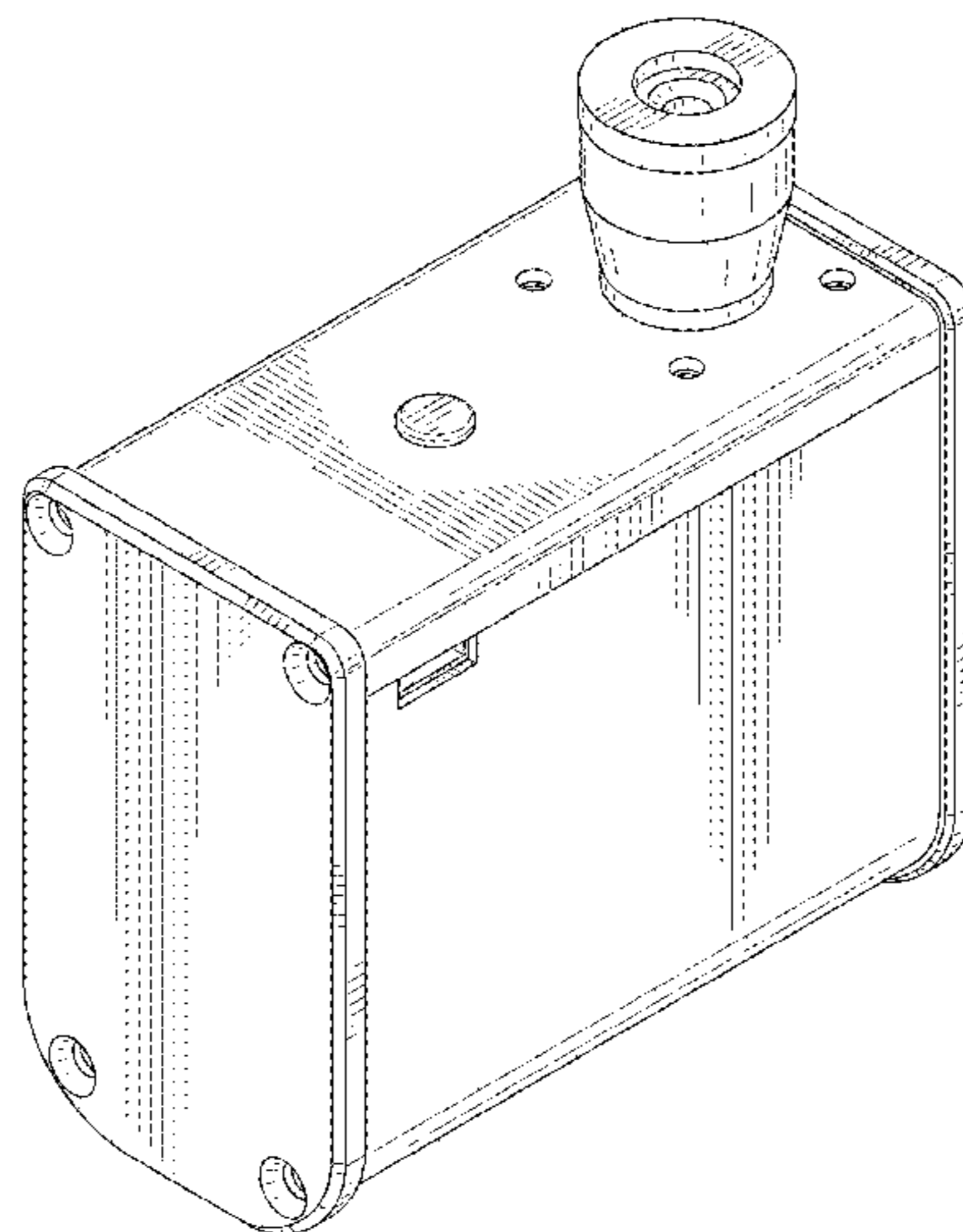
CPC F02M 37/04; F02M 37/14; F04B 53/92;
 F04B 1/005; F04D 13/06; F04D 29/22;
 F04D 29/046; F04D 29/2266

FIG. 7 is a top view of the embodiment shown in FIG. 1; and,

FIG. 8 is a bottom view of the embodiment shown in FIG. 1.

See application file for complete search history.

1 Claim, 8 Drawing Sheets



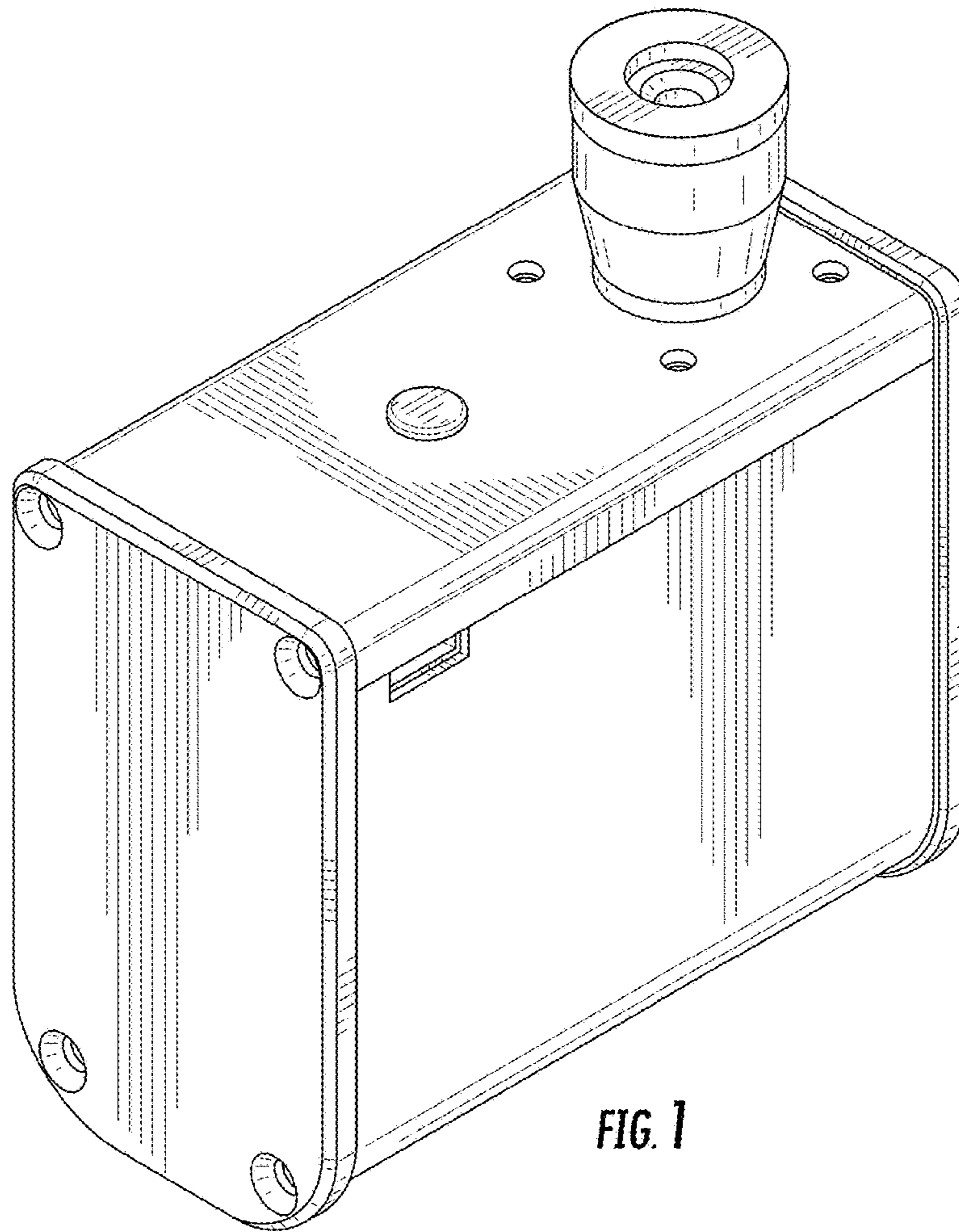


FIG. 1

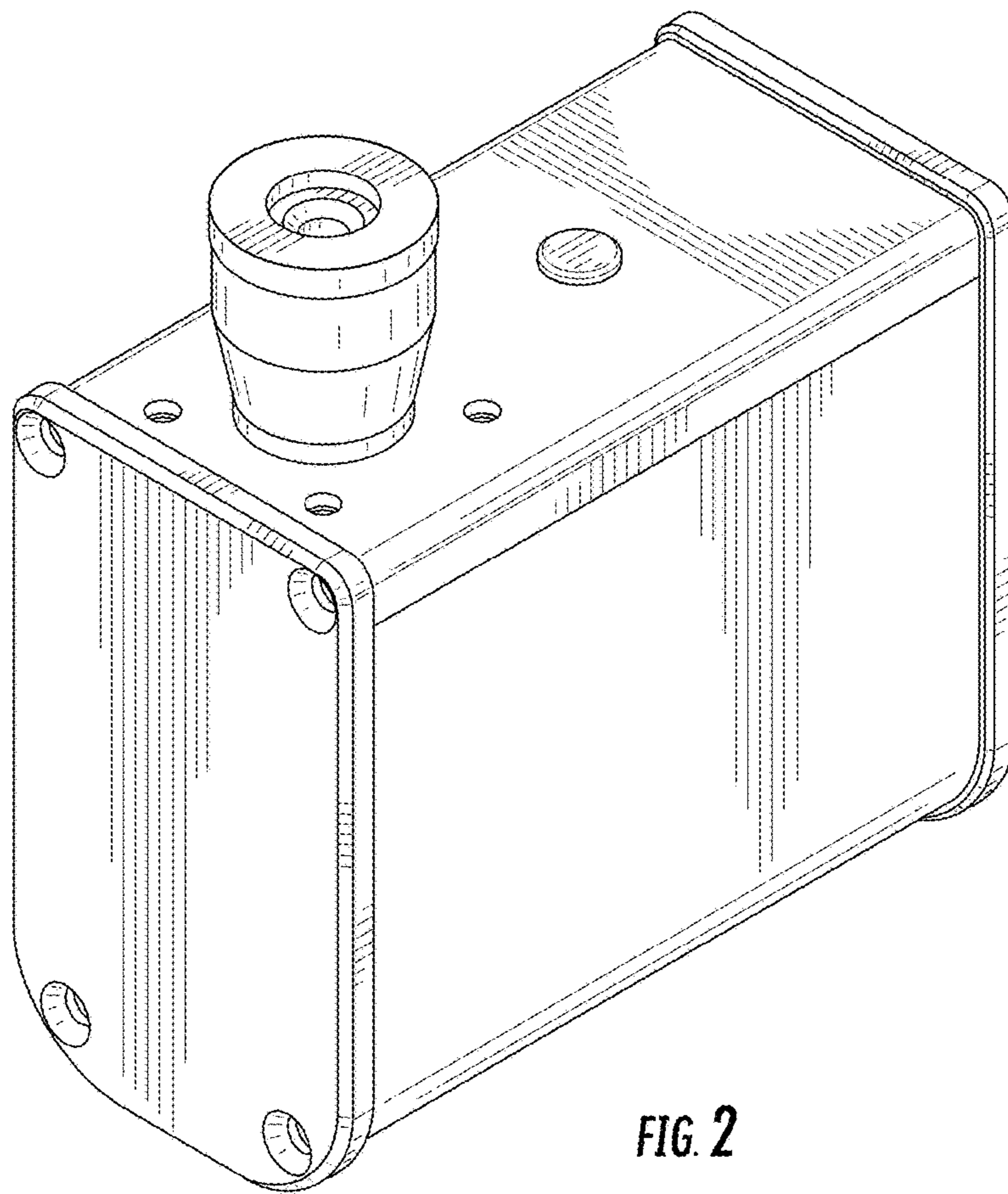


FIG. 2

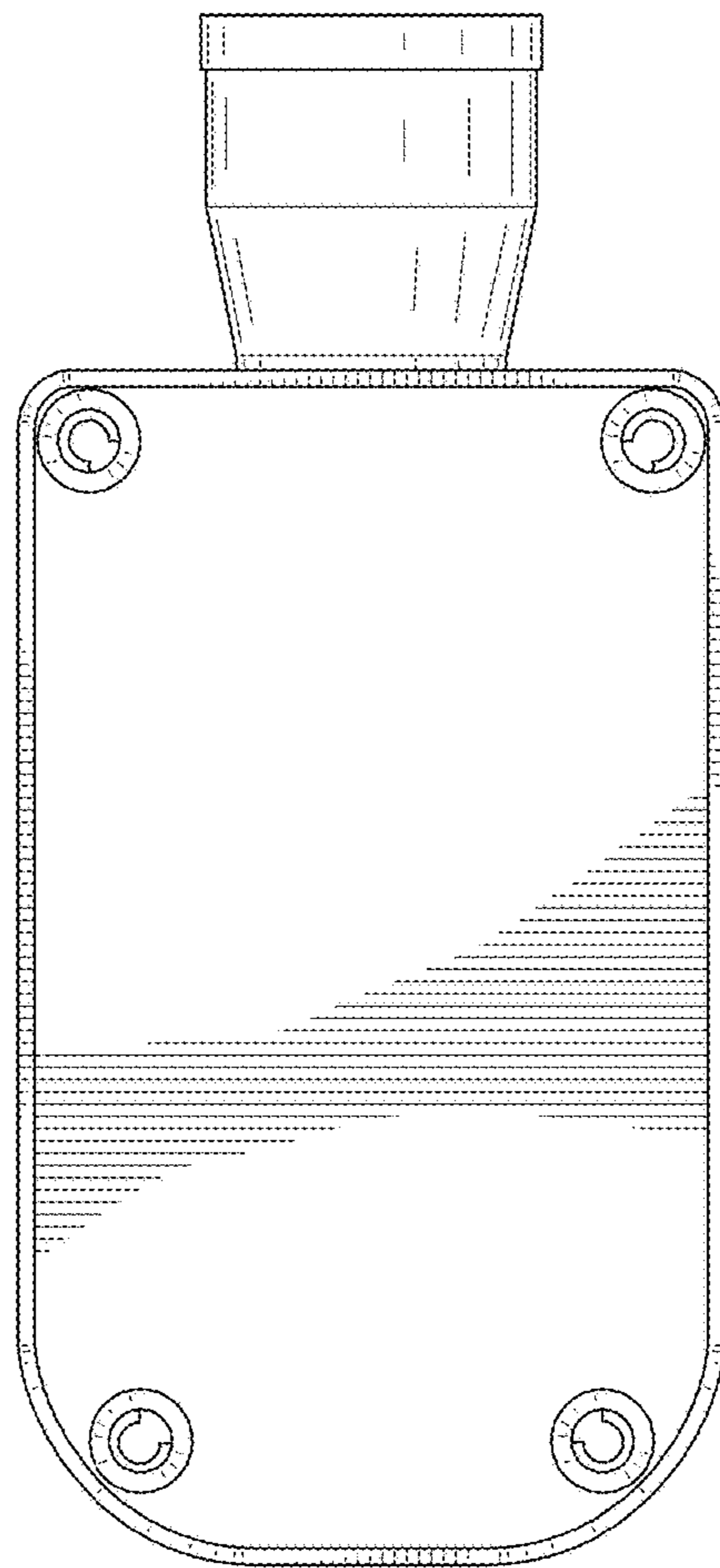


FIG. 3

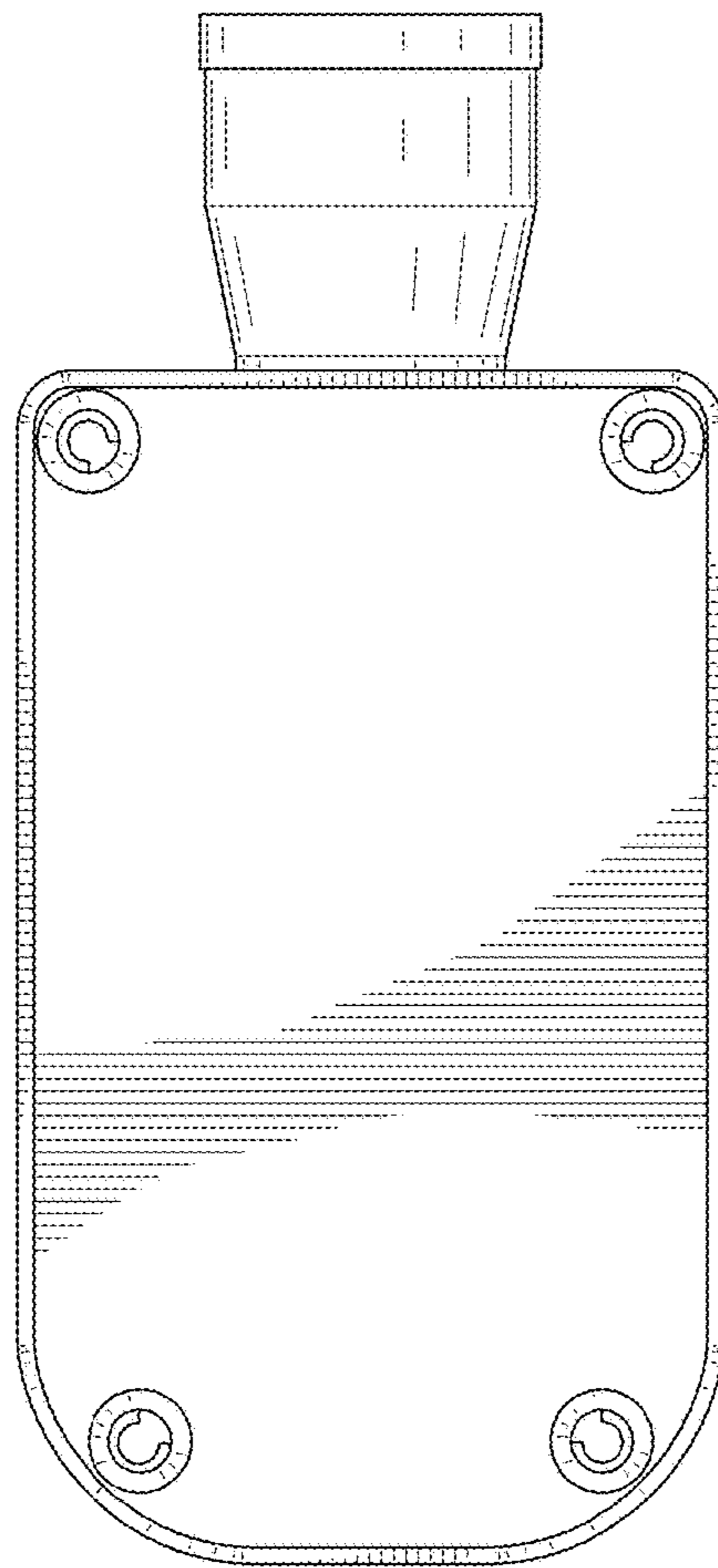


FIG. 4

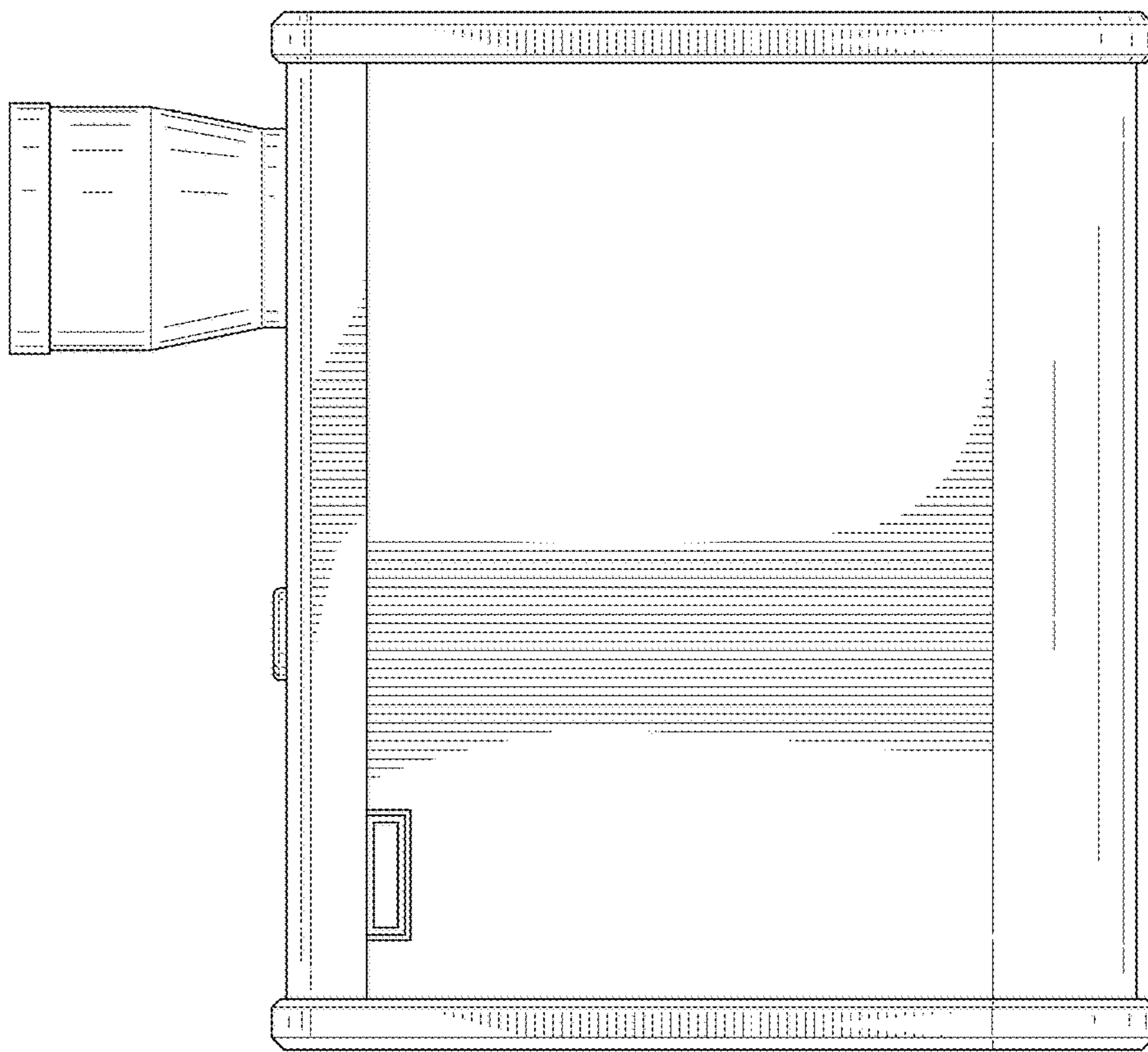


FIG. 5

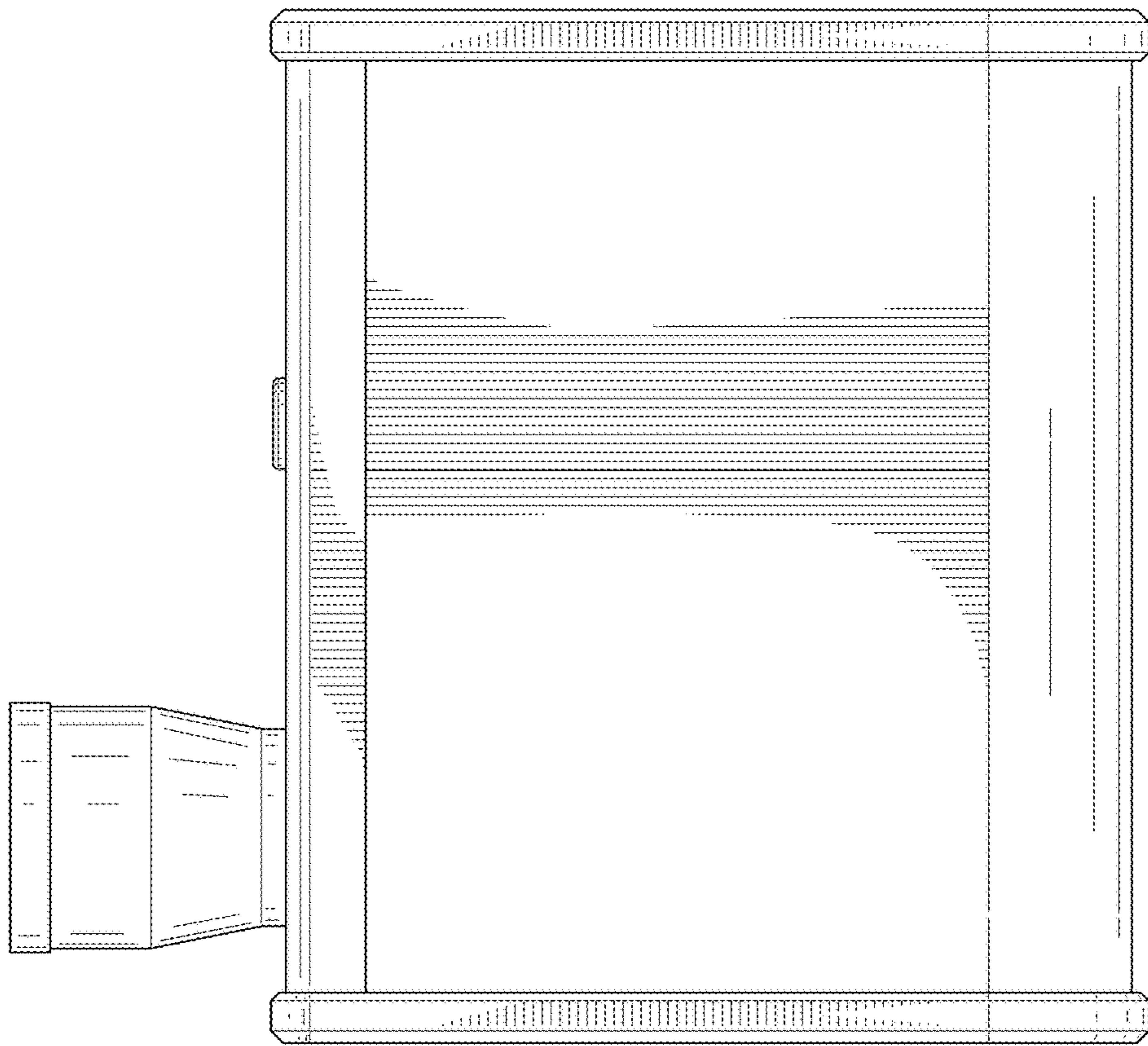


FIG. 6

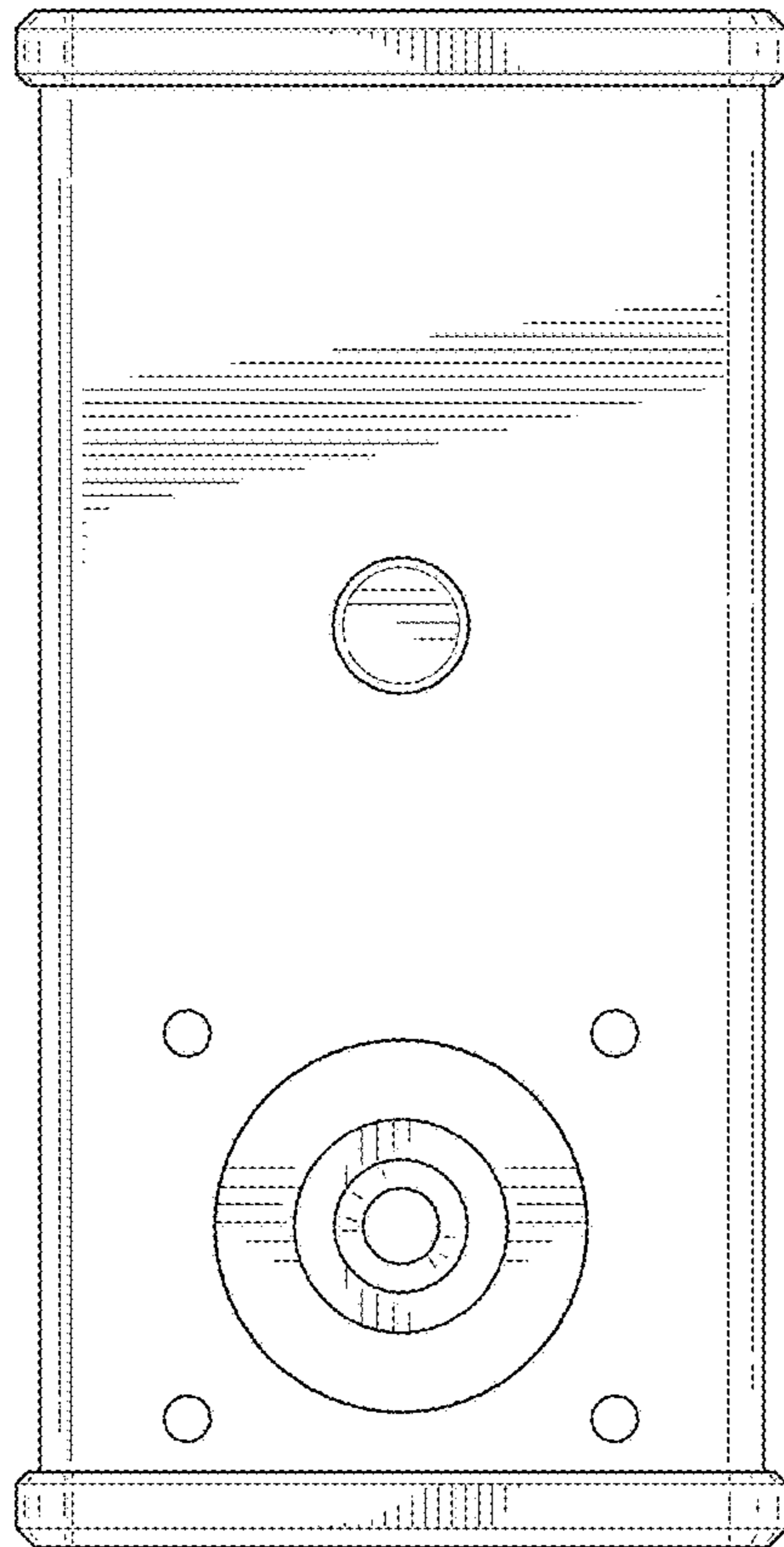


FIG. 7

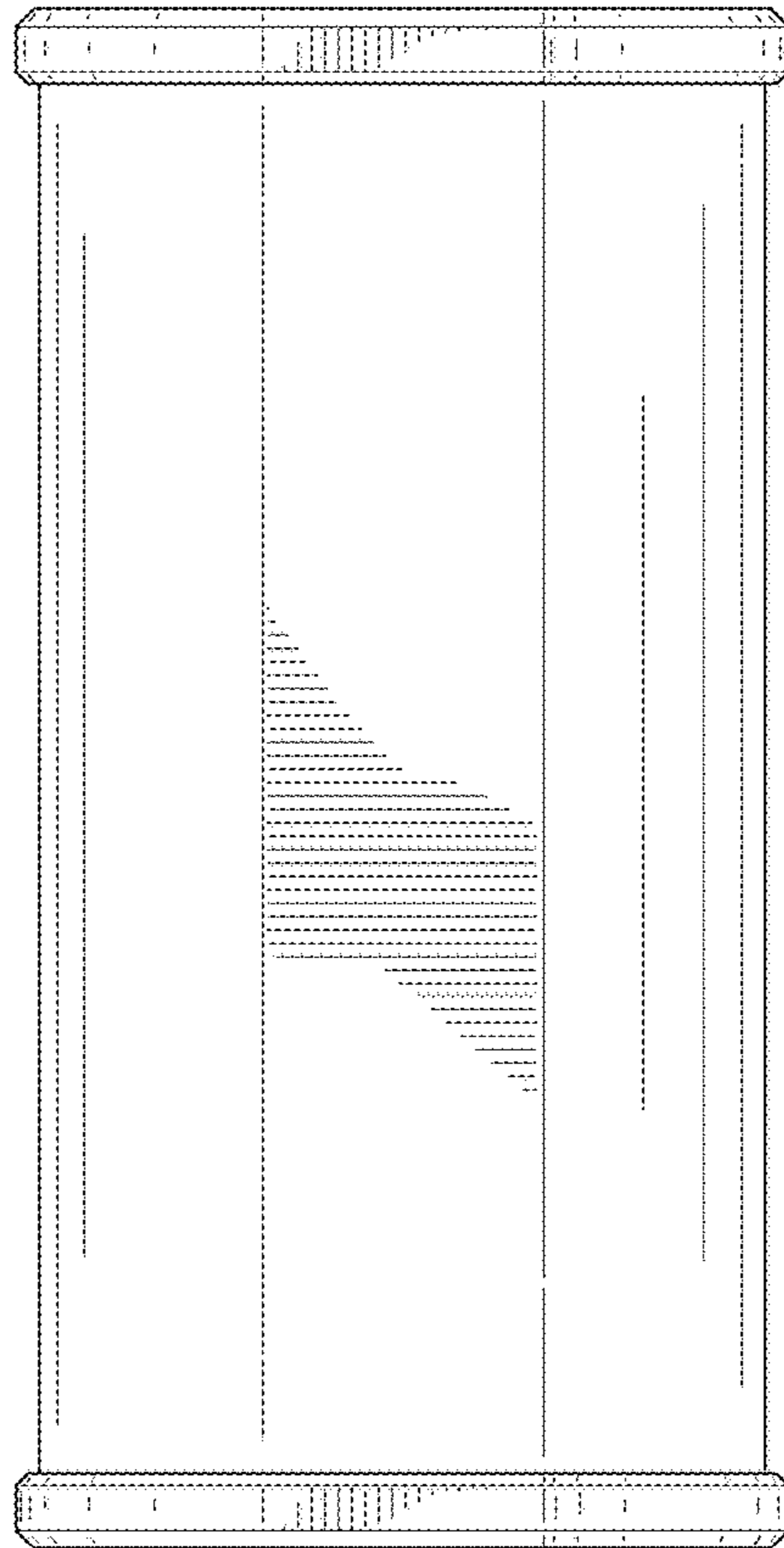


FIG. 8