



US00D844670S

(12) **United States Design Patent**
Sinico

(10) **Patent No.:** **US D844,670 S**
(45) **Date of Patent:** **** Apr. 2, 2019**

- (54) **PUMP**
- (71) Applicant: **DWT HOLDING S.P.A.**, Mestrino (IT)
- (72) Inventor: **Francesco Sinico**, Montecchio Maggiore (IT)
- (73) Assignee: **DWT HOLDING S.P.A.**, Mestrino (IT)
- (**) Term: **15 Years**
- (21) Appl. No.: **29/625,800**
- (22) Filed: **Nov. 13, 2017**

Related U.S. Application Data

- (62) Division of application No. 29/505,299, filed on Sep. 8, 2015, now Pat. No. Des. 810,145.

Foreign Application Priority Data

Mar. 10, 2015 (EM) 002650085

- (51) **LOC (11) Cl.** **15-02**
- (52) **U.S. Cl.**
USPC **D15/7**

(58) **Field of Classification Search**

USPC D15/7-9; D23/231, 232, 225; 417/60, 417/235, 265, 321, 355, 358, 363, 359, 417/410.1, 415-416, 405, 900; 60/408, 60/412; 184/26-37; 415/140-147; 123/495, 509; 137/565.34
CPC F02M 37/04; F02M 37/14
See application file for complete search history.

(56) **References Cited**

U.S. PATENT DOCUMENTS

- D289,402 S 4/1987 Carlson et al.
- D299,143 S * 12/1988 Hazlehurst D15/7
- D351,602 S 10/1994 Rosebraugh et al.

- D374,237 S 10/1996 Wang
- D404,040 S 1/1999 Suthmann
- D425,911 S 5/2000 Fleischer et al.
- D464,362 S 10/2002 Tsai
- D466,522 S 12/2002 Huang
- D491,957 S 6/2004 Fang
- D492,324 S 6/2004 Stevens
- D498,242 S 11/2004 Song et al.
- D500,770 S 1/2005 Pohler
- D510,363 S 10/2005 Leone et al.
- D517,570 S 3/2006 Stiles, Jr. et al.
- D536,705 S 2/2007 Griffin et al.
- D541,818 S 5/2007 Rhea et al.
- D551,256 S * 9/2007 Pecca D15/7
- D556,780 S 12/2007 Tazioli
- D558,233 S 12/2007 Itani
- D565,600 S 4/2008 Tazioli
- D568,340 S * 5/2008 Stiles, Jr. et al. D15/5
- D588,159 S * 3/2009 Griffin D15/7
- D588,160 S 3/2009 Beale et al.
- D590,420 S 4/2009 Casalini

(Continued)

Primary Examiner — Ralf Seifert

(74) *Attorney, Agent, or Firm* — Cantor Colburn LLP

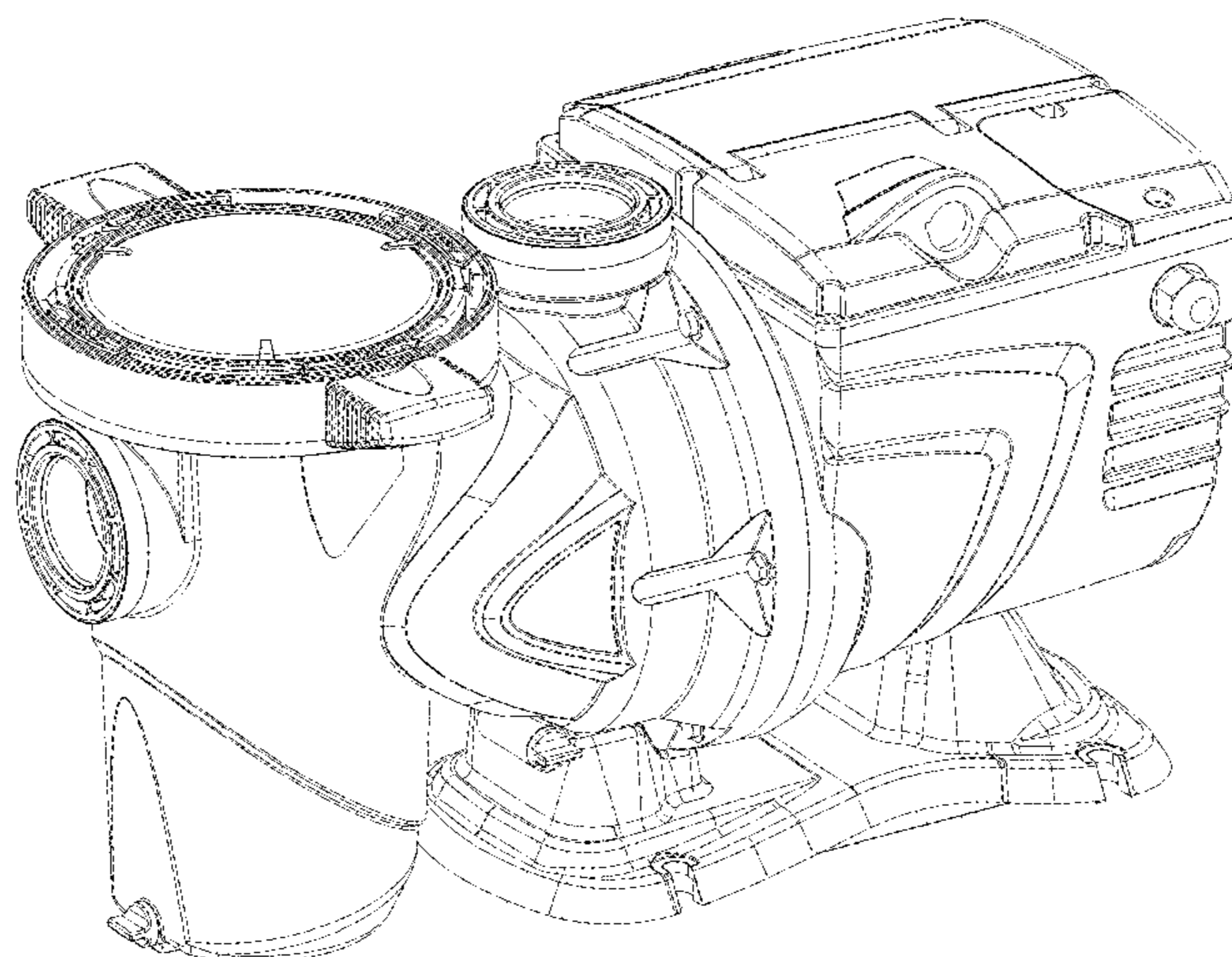
(57) **CLAIM**

I claim, the ornamental design for a pump, as shown and described.

DESCRIPTION

FIG. 1 is a perspective view of a pump, showing my new design;
 FIG. 2 is a front elevation view thereof;
 FIG. 3 is a rear elevation view thereof;
 FIG. 4 is a left side elevation view thereof;
 FIG. 5 is a right side elevation view thereof;
 FIG. 6 is a top view thereof; and,
 FIG. 7 is a bottom view thereof.
 The broken lines are included for the purpose of illustrating portions of the pump that form no part of the claimed design.

1 Claim, 7 Drawing Sheets



(56)

References Cited

U.S. PATENT DOCUMENTS

| | | | |
|-------------------|---------|-------------------|-----------------------|
| D590,842 S | 4/2009 | Clark et al. | |
| D604,745 S | 11/2009 | Sinico | |
| D621,853 S | 8/2010 | Sundheim et al. | |
| D630,229 S | 1/2011 | Dreifert | |
| D656,518 S | 3/2012 | Varini | |
| 8,186,517 B2 * | 5/2012 | Bowman | B01D 29/35 210/238 |
| D675,650 S | 2/2013 | Champ | |
| D677,702 S | 3/2013 | O'Shea | |
| D678,338 S | 3/2013 | O'Shea | |
| D690,323 S | 9/2013 | Burman et al. | |
| D700,213 S | 2/2014 | Taniguchi et al. | |
| D700,214 S | 2/2014 | Taniguchi et al. | |
| D700,624 S | 3/2014 | Taniguchi et al. | |
| D700,916 S | 3/2014 | Kieffer et al. | |
| D708,648 S | 7/2014 | Orsini | |
| D738,402 S | 9/2015 | Nelson et al. | |
| D740,329 S | 10/2015 | Gilbert et al. | |
| D744,004 S | 11/2015 | Sacchetti et al. | |
| D757,825 S | 5/2016 | Chevallier et al. | |
| 2008/0079259 A1 * | 4/2008 | Parcell | F16L 23/036 285/22 |

* cited by examiner

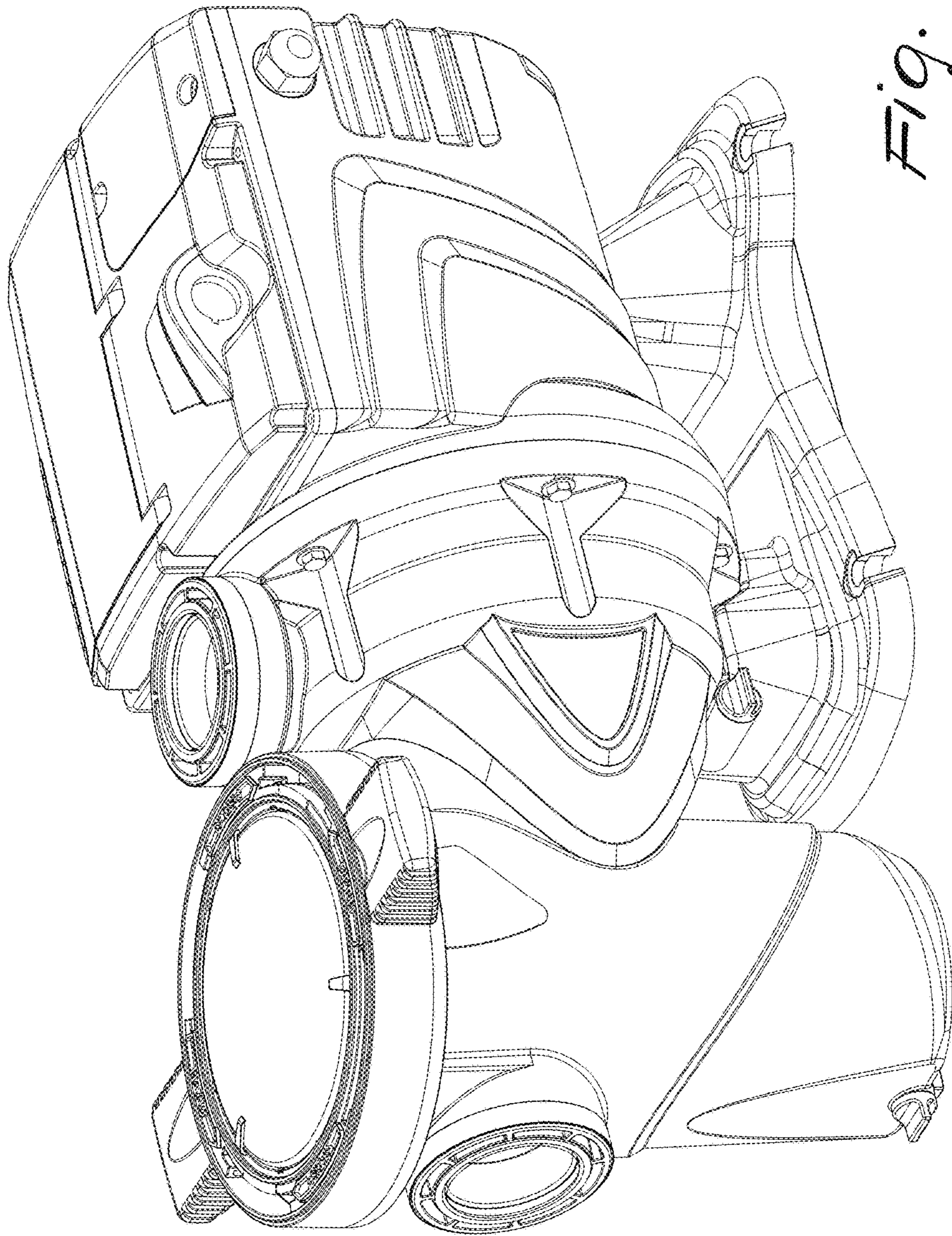


Fig. 1

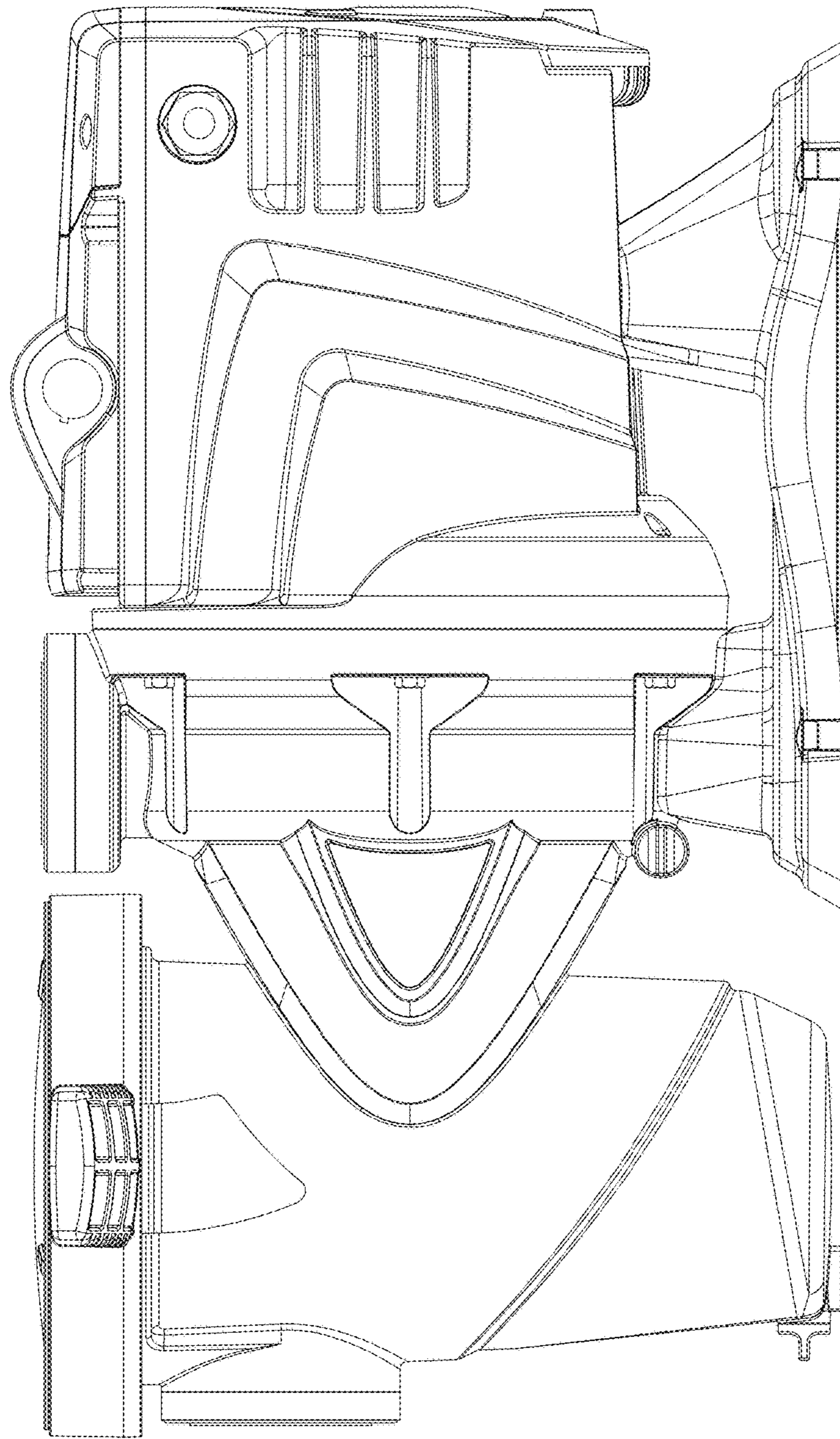


Fig. 2

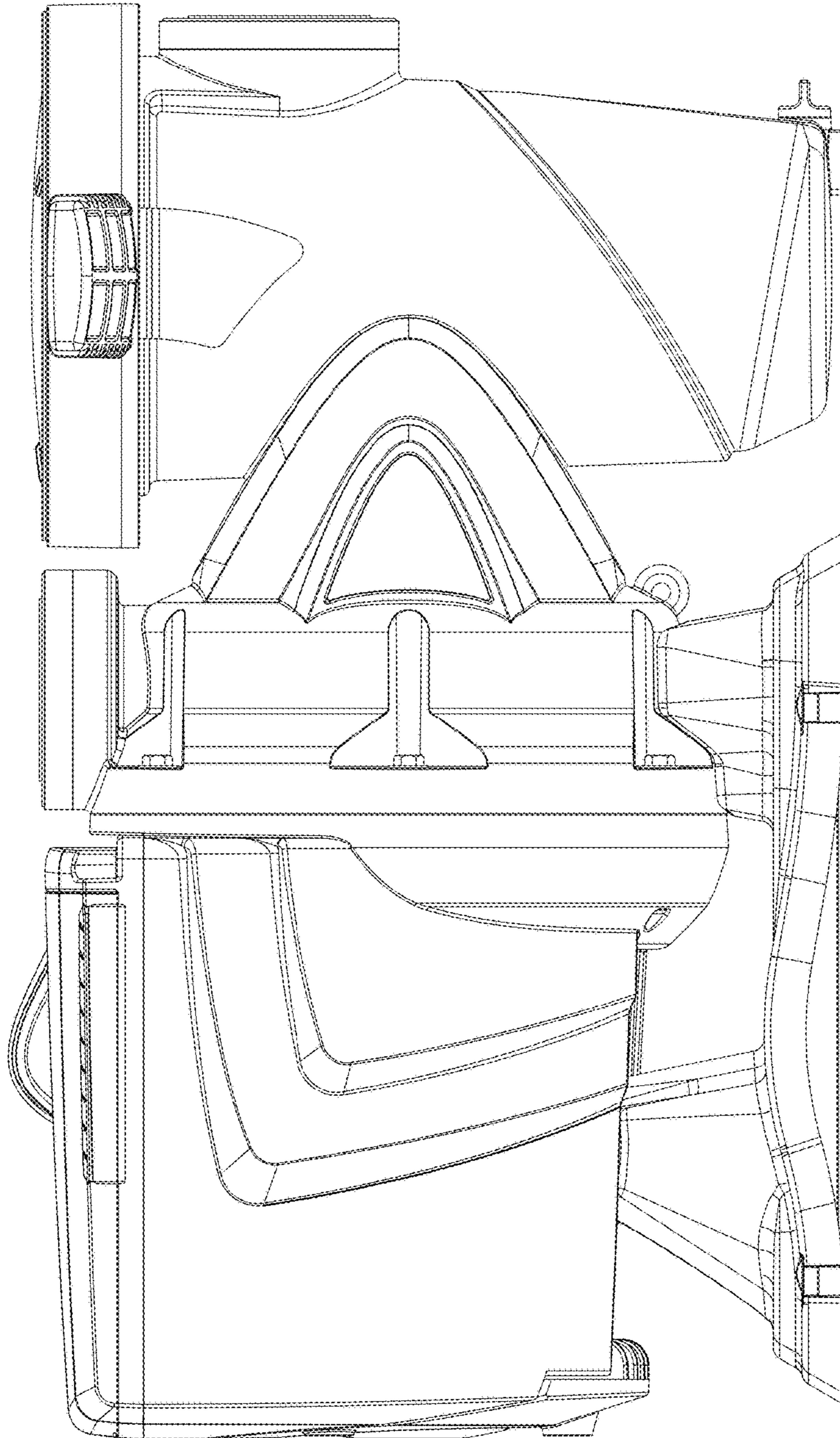


Fig. 3

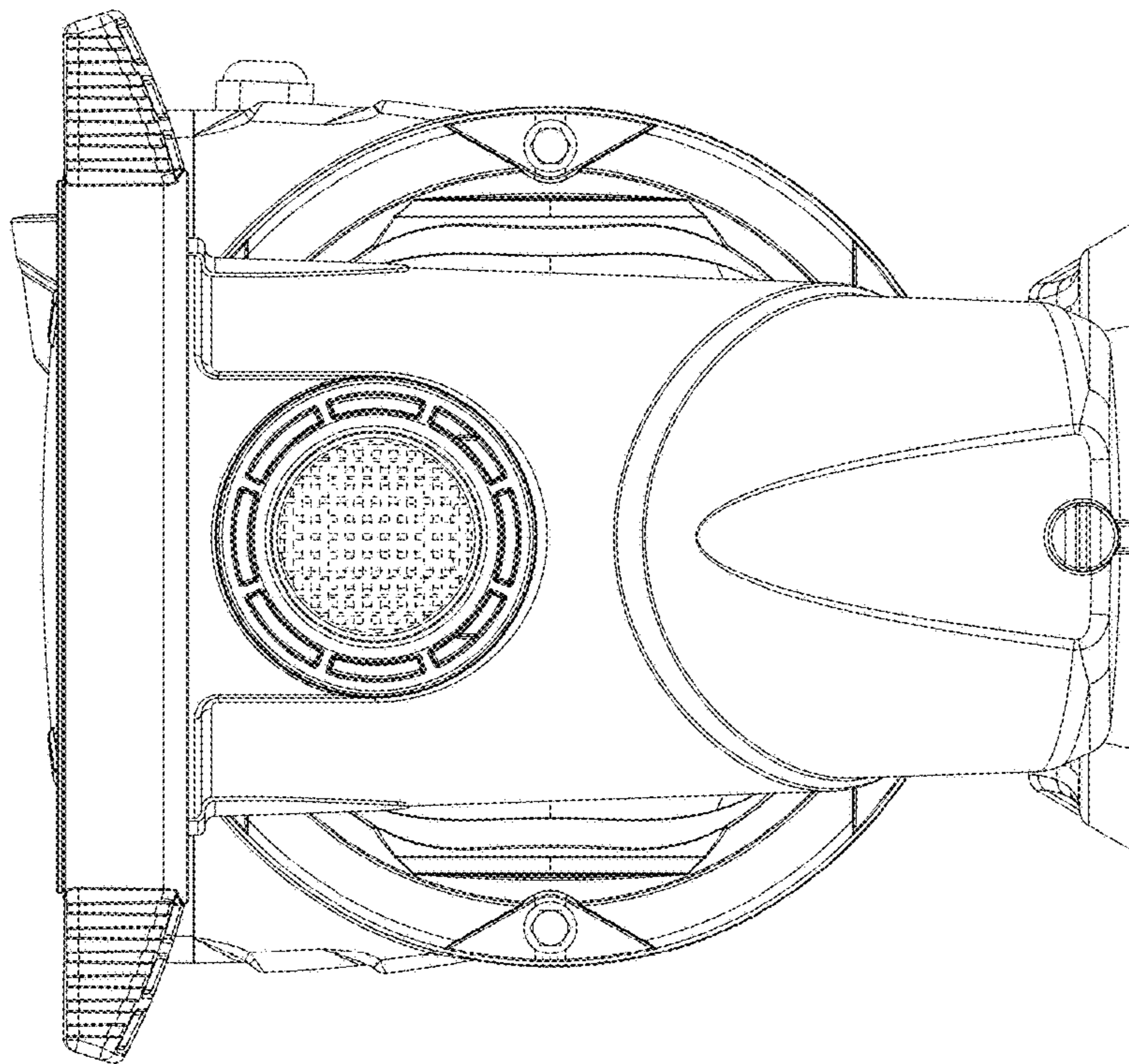


Fig. 4

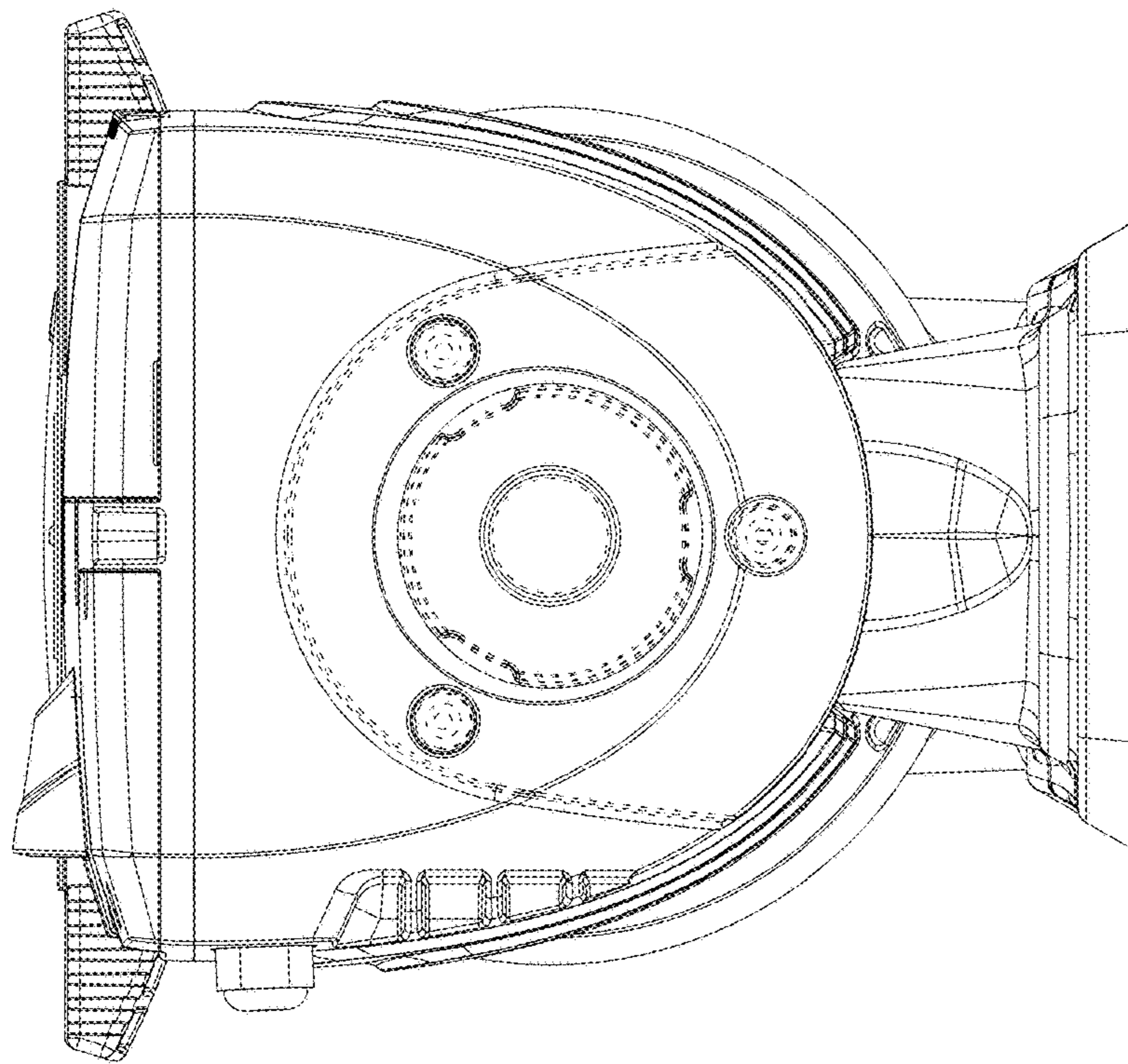


Fig. 5

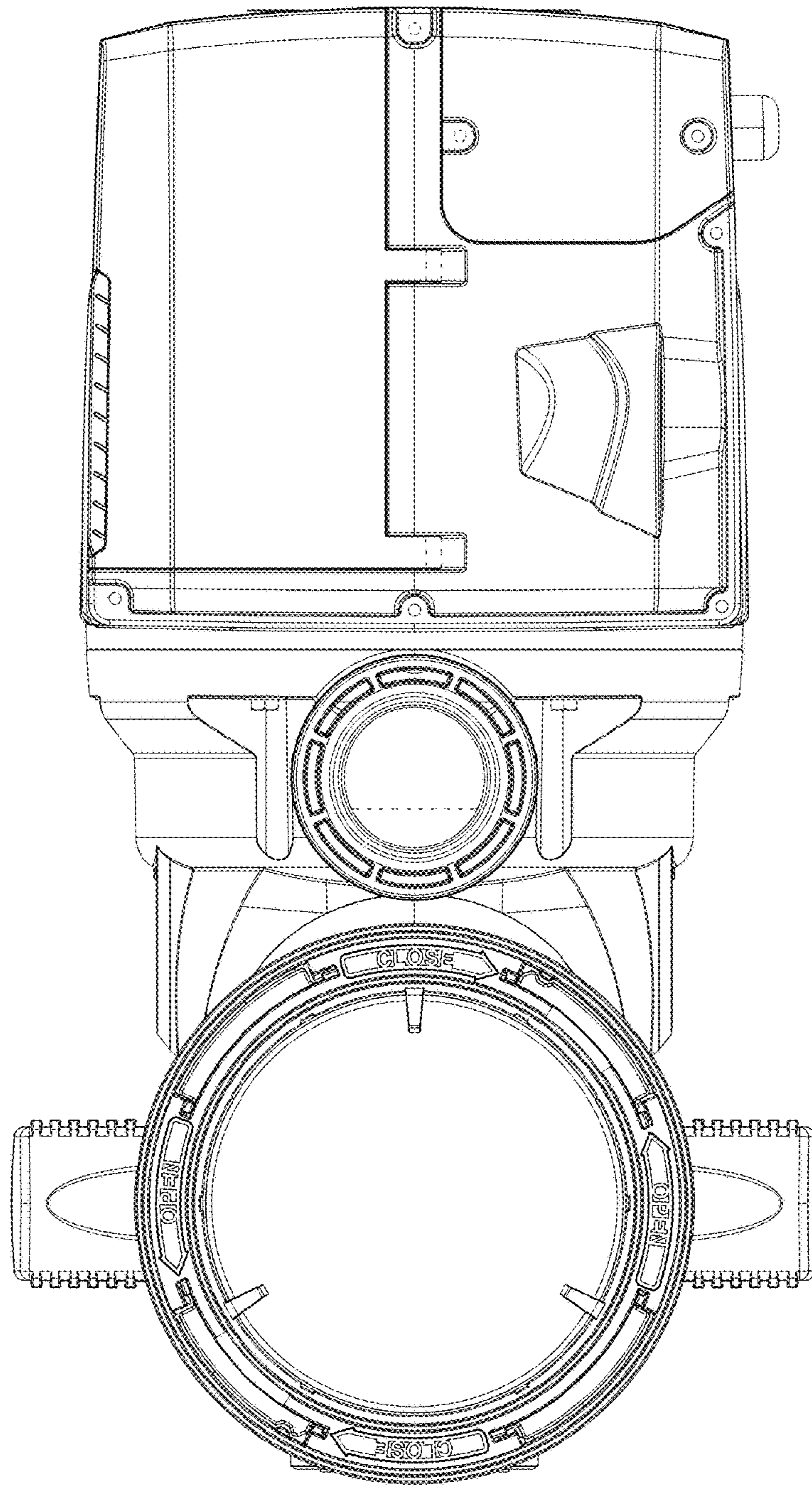


Fig. 6

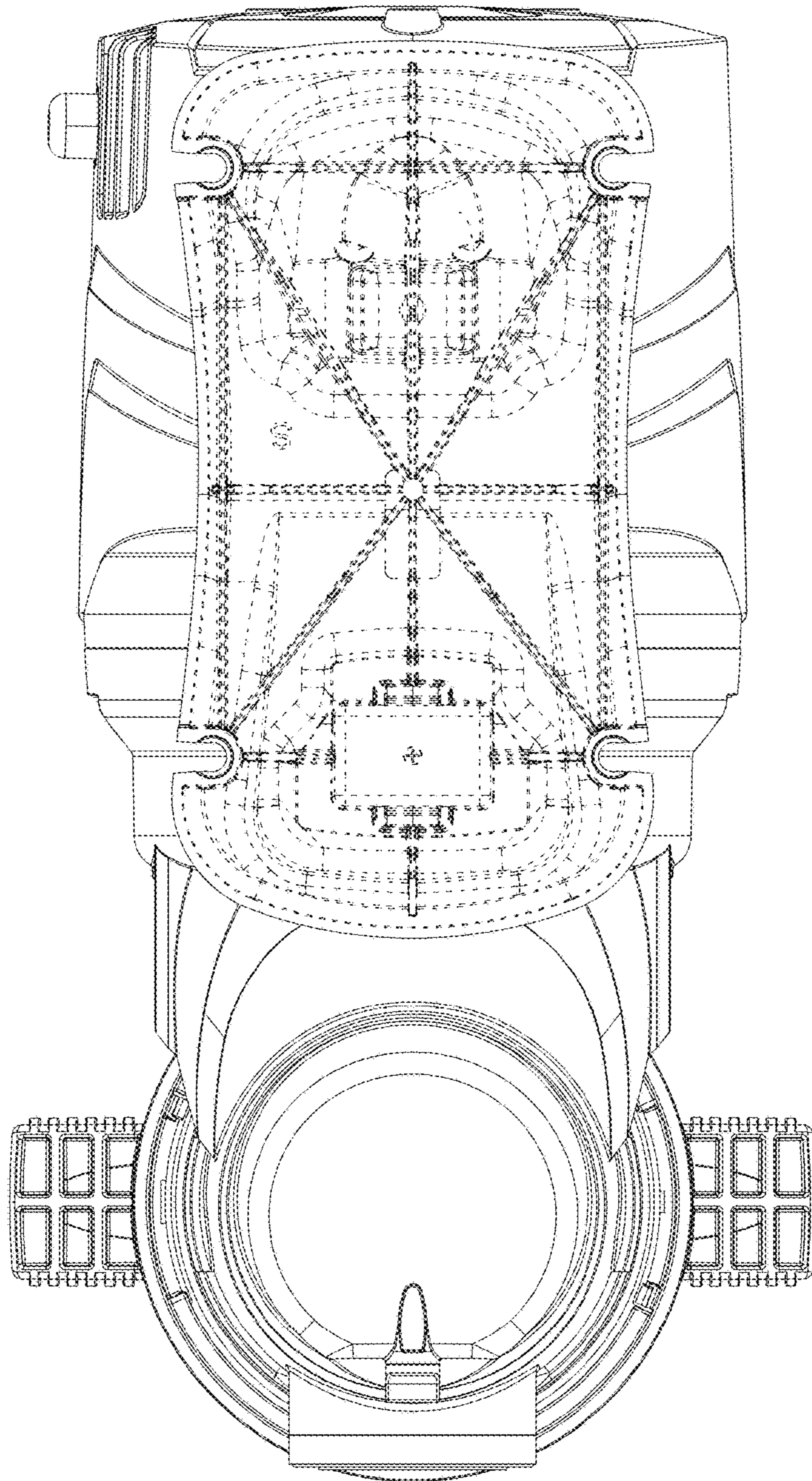


Fig. 7