



US00D844669S

(12) **United States Design Patent**
Sinico

(10) **Patent No.:** **US D844,669 S**

(45) **Date of Patent:** **** Apr. 2, 2019**

- (54) **PUMP**
- (71) Applicant: **DWT HOLDING S.P.A.**, Mestrino (IT)
- (72) Inventor: **Francesco Sinico**, Montecchio Maggiore (IT)
- (73) Assignee: **DWT HOLDING S.P.A.**, Mestrino (IT)
- (**) Term: **15 Years**
- (21) Appl. No.: **29/625,797**
- (22) Filed: **Nov. 13, 2017**

Related U.S. Application Data

- (62) Division of application No. 29/505,299, filed on Sep. 8, 2015, now Pat. No. Des. 810,145.

Foreign Application Priority Data

Mar. 10, 2015 (EM) 002650085

- (51) **LOC (11) Cl.** **15-02**
- (52) **U.S. Cl.**
USPC **D15/7**

(58) **Field of Classification Search**

USPC D15/7-9; D23/231, 232, 225; 417/60,
417/235, 265, 321, 355, 358, 363, 359,
417/410.1, 415-416, 405, 900, 269, 539,
417/234; 60/408, 412; 184/26-37;
415/140-147; 123/495, 509; 137/565.34
CPC F02M 37/04; F02M 37/14; F04B 53/92;
F04B 1/005

See application file for complete search history.

(56) **References Cited**

U.S. PATENT DOCUMENTS

- D289,402 S 4/1987 Carlson et al.
- D295,181 S * 4/1988 Vitaloni D15/9

- D351,602 S 10/1994 Rosebraugh et al.
- D374,237 S 10/1996 Wang
- D404,040 S 1/1999 Suthmann
- D425,911 S 5/2000 Fleischer et al.
- D464,362 S 10/2002 Tsai
- D466,522 S 12/2002 Huang
- D491,957 S 6/2004 Fang
- D492,324 S 6/2004 Stevens
- D498,242 S 11/2004 Song et al.
- D500,770 S 1/2005 Pohler
- D501,486 S * 2/2005 Leone D15/7
- D510,363 S 10/2005 Leone et al.
- D517,570 S 3/2006 Stiles, Jr. et al.
- D536,705 S 2/2007 Griffin et al.
- D541,818 S 5/2007 Rhea et al.
- D548,751 S * 8/2007 Snider D15/7
- D556,780 S 12/2007 Tazioli
- D558,233 S 12/2007 Itani
- D565,600 S 4/2008 Tazioli
- D572,273 S * 7/2008 Carpenter D15/7
- D588,160 S 3/2009 Beale

(Continued)

Primary Examiner — Ralf Seifert

(74) *Attorney, Agent, or Firm* — Cantor Colburn LLP

(57) **CLAIM**

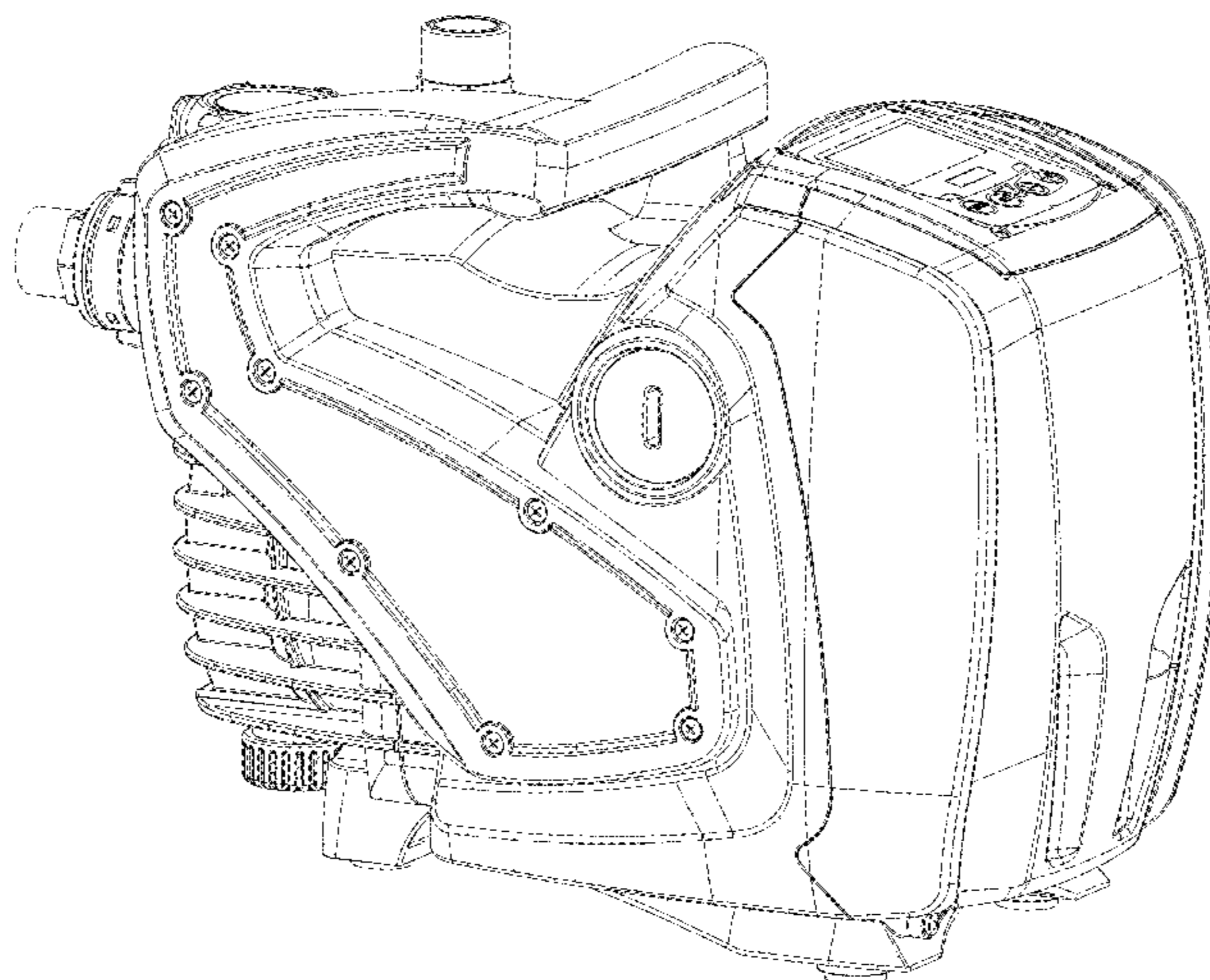
I claim, the ornamental design for a pump, as shown and described.

DESCRIPTION

FIG. 1 is a perspective view of a pump, showing my new design;
 FIG. 2 is a front elevation view thereof;
 FIG. 3 is a rear elevation view thereof;
 FIG. 4 is a left side elevation view thereof;
 FIG. 5 is a right side elevation view thereof;
 FIG. 6 is a top view thereof; and,
 FIG. 7 is a bottom view thereof.

The broken lines are included for the purpose of illustrating portions of the pump that form no part of the claimed design.

1 Claim, 7 Drawing Sheets



(56)

References Cited

U.S. PATENT DOCUMENTS

D590,420	S	4/2009	Casalini	
D590,842	S	4/2009	Clark et al.	
D601,590	S *	10/2009	Burnham	D15/7
D604,745	S	11/2009	Sinico	
D621,853	S	8/2010	Sundheim et al.	
D630,229	S	1/2011	Dreifert	
D641,765	S *	7/2011	Vieira	D15/9
D649,163	S *	11/2011	Moormann	D15/7
D656,518	S	3/2012	Varini	
D669,501	S *	10/2012	Meza	D15/7
D675,650	S	2/2013	Champ	
D677,702	S	3/2013	O'Shea	
D678,338	S	3/2013	O'Shea	
D690,323	S	9/2013	Burman et al.	
D700,213	S	2/2014	Taniguchi et al.	
D700,214	S	2/2014	Taniguchi et al.	
D700,624	S	3/2014	Taniguchi et al.	
D700,916	S	3/2014	Kieffer et al.	
D708,648	S	7/2014	Orsini	
D712,933	S *	9/2014	DeOreo	D15/7
D738,402	S	9/2015	Nelson et al.	
D740,329	S	10/2015	Gilbert et al.	
D744,004	S	11/2015	Sacchetti et al.	
D757,825	S	5/2016	Chevallier et al.	
D800,790	S *	10/2017	Mazur	D15/7
D806,133	S *	12/2017	Costle	D15/9
D812,645	S *	3/2018	Sinico	D15/7
D814,525	S *	4/2018	Yang	D15/9

* cited by examiner

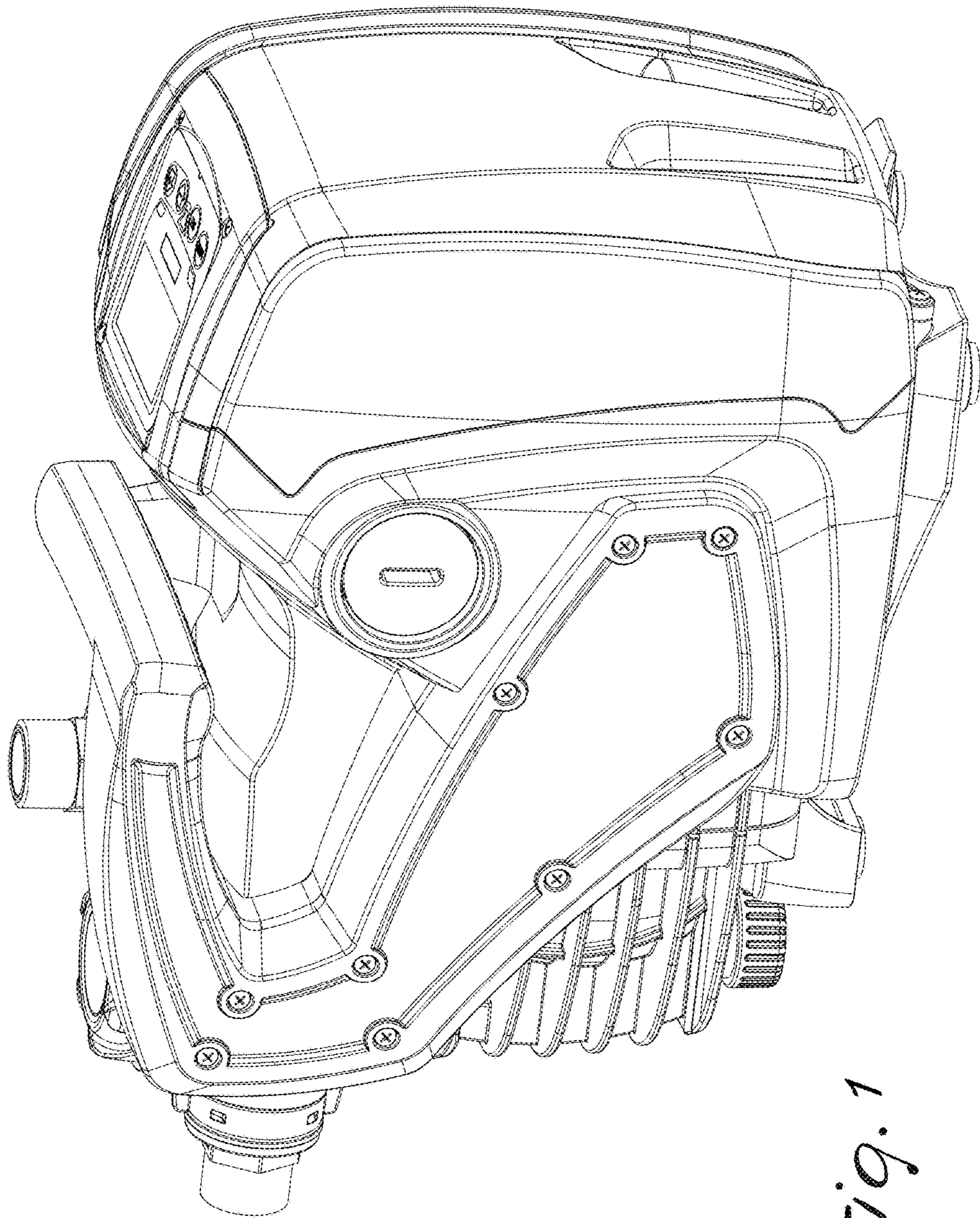


Fig. 1

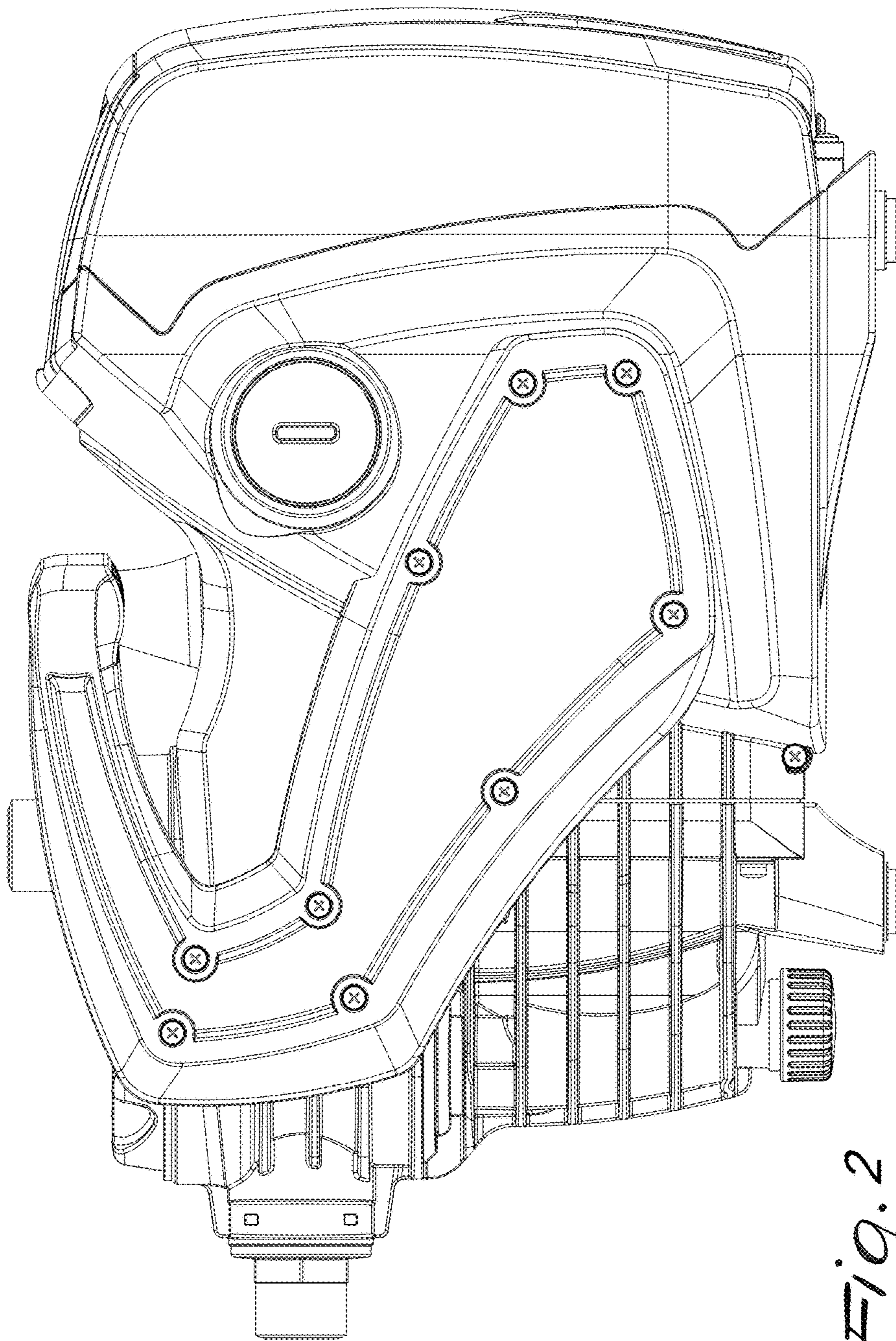


Fig. 2

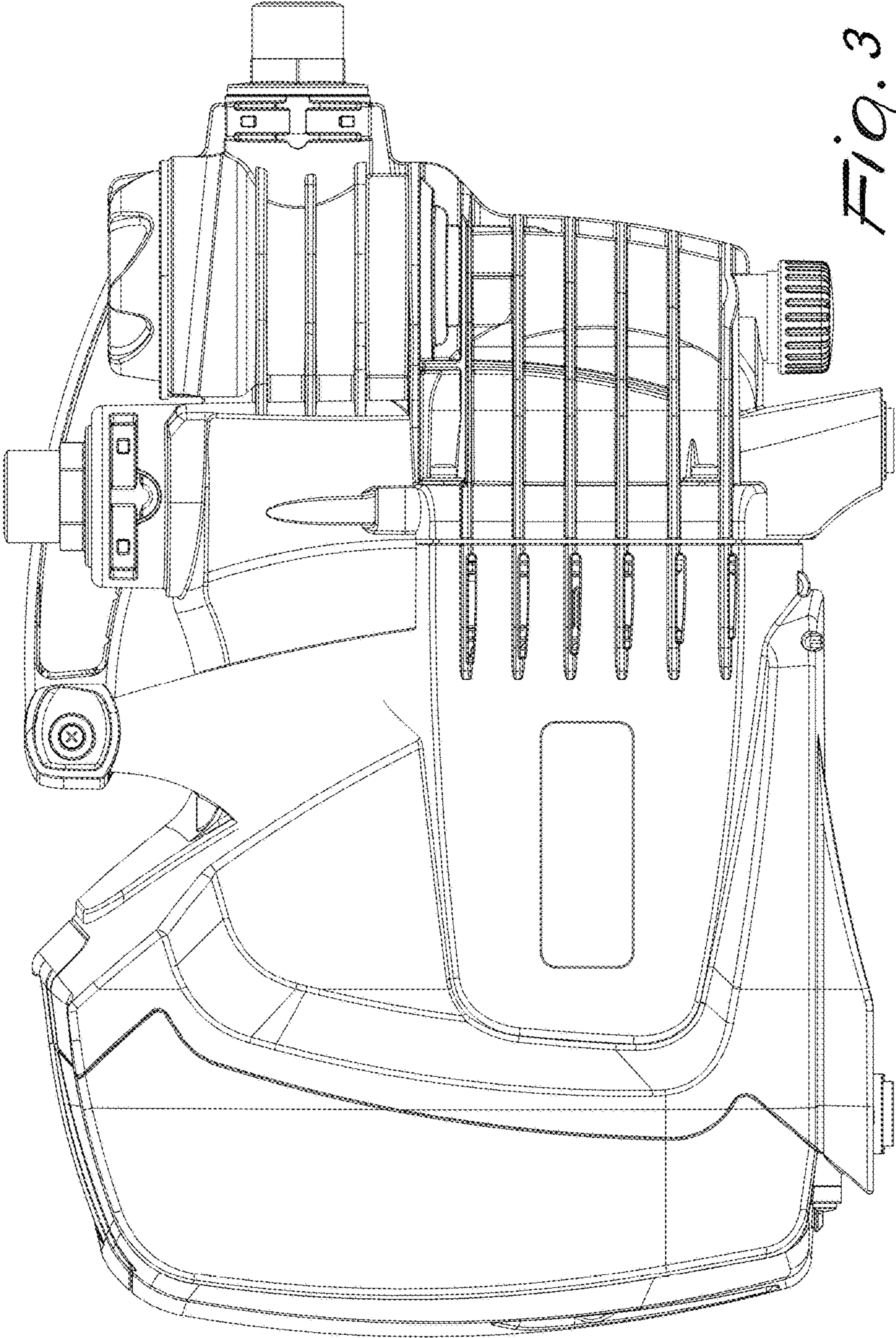


Fig. 3

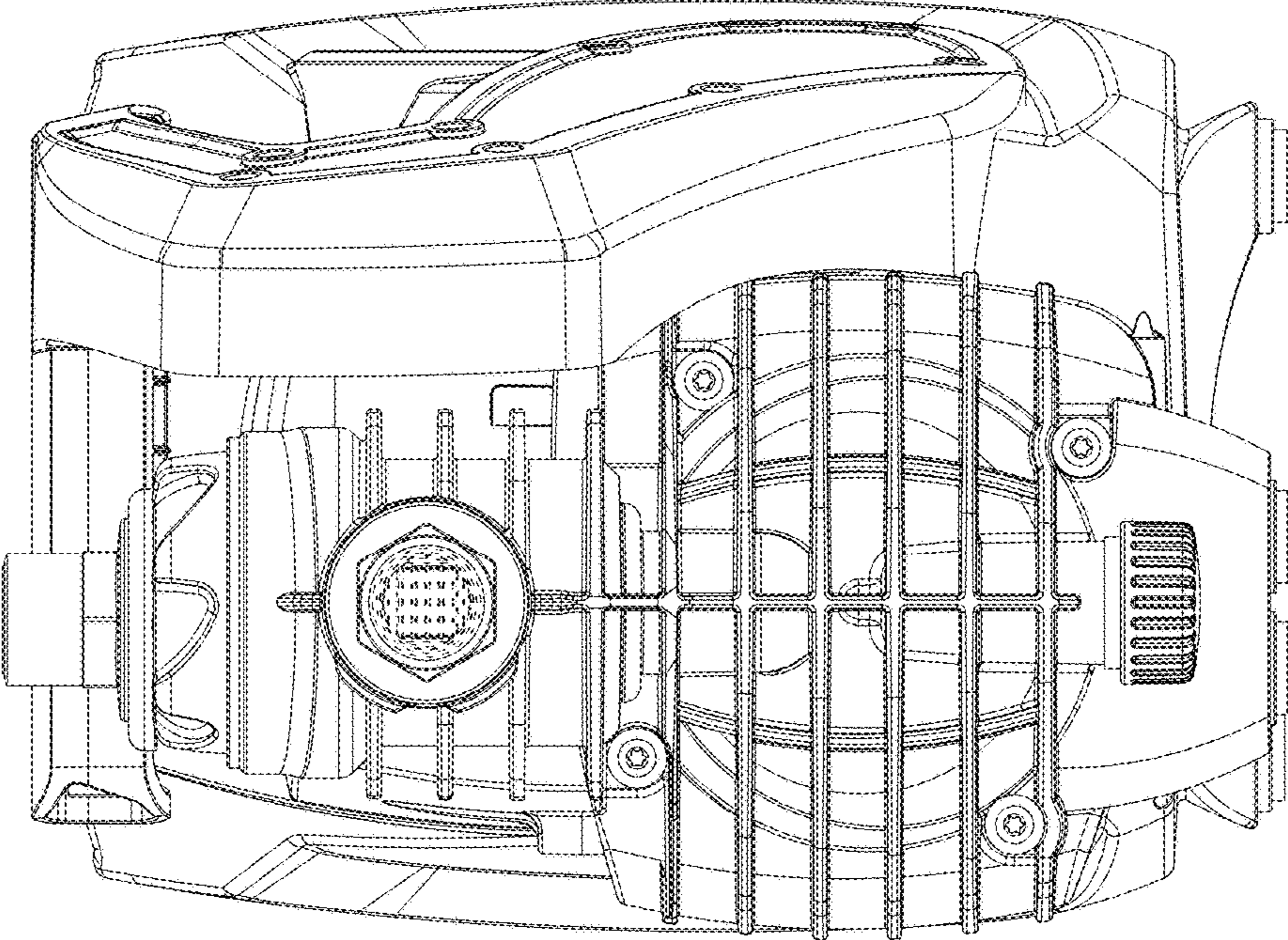


Fig. 4

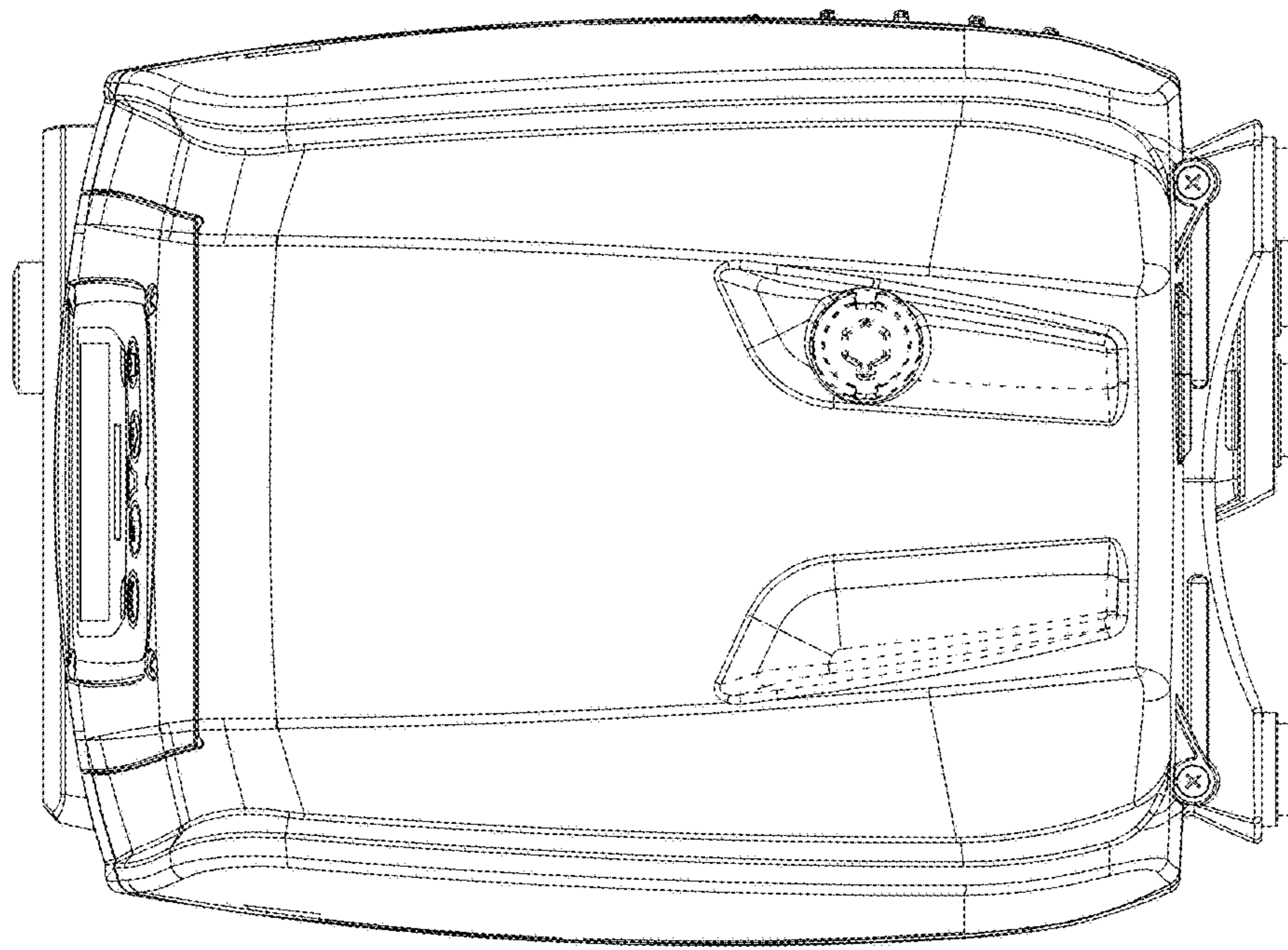


Fig. 5

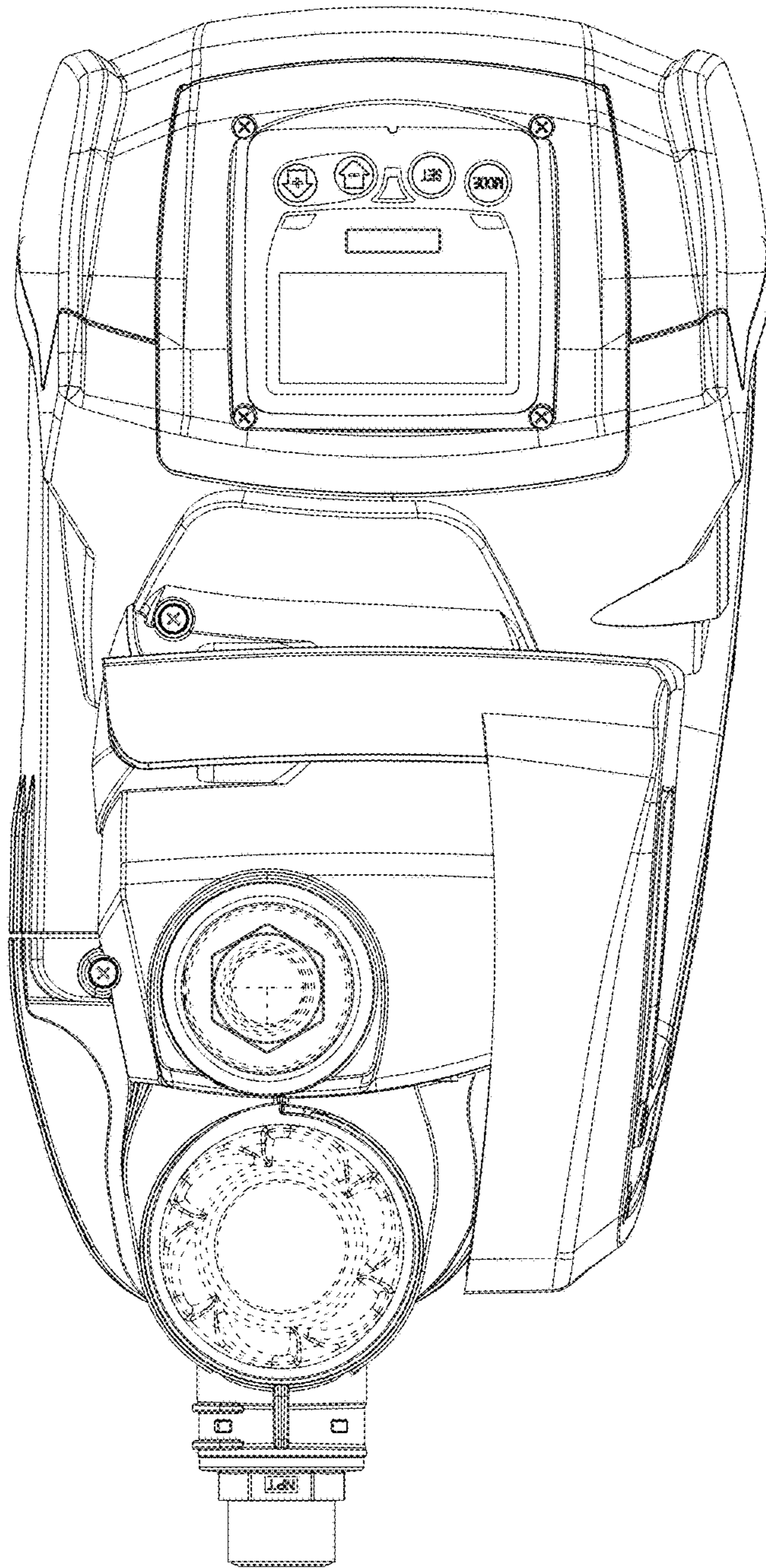


Fig. 6

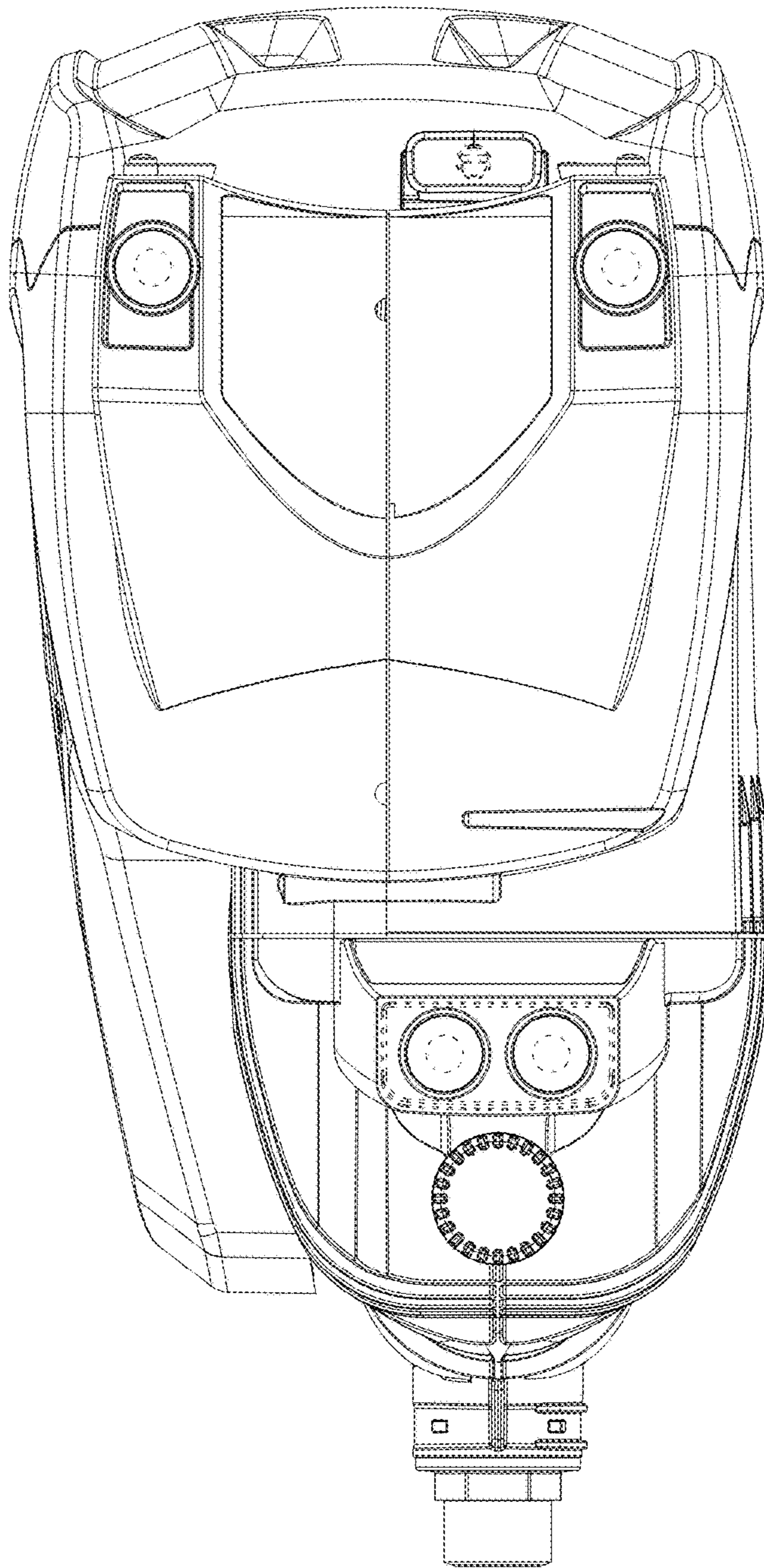


Fig. 7