



US00D844639S

(12) **United States Design Patent** (10) **Patent No.:** **US D844,639 S**
Cipriano et al. (45) **Date of Patent:** **** Apr. 2, 2019**

(54) **DISPLAY SCREEN WITH GRAPHICAL USER INTERFACE OF AN INCUBATOR**

D737,848 S 9/2015 Brinda et al.
D742,409 S 11/2015 Perez et al.
D744,508 S 12/2015 Brinda et al.
D751,581 S 3/2016 Walker et al.
D752,608 S 3/2016 Oh et al.
D760,235 S 6/2016 Li et al.
D761,294 S * 7/2016 Weeresinghe D14/486
D762,673 S 8/2016 Seo et al.

(71) Applicant: **General Electric Company**,
Schenectady, NY (US)

(72) Inventors: **James Cipriano**, Ellicott City, MD
(US); **Erik Kemper**, Franklin, WI
(US); **Min Ouyang**, Oconomowoc, WI
(US); **Karen Starr**, Monkton, MD (US)

(Continued)

(73) Assignee: **General Electric Company**,
Schenectady, NY (US)

(**) Term: **15 Years**

(21) Appl. No.: **29/641,259**

(22) Filed: **Mar. 20, 2018**

OTHER PUBLICATIONS

“Giraffe Carestation by GE: Combining Technology and Experience to Send Babies Home Healthy,” YouTube Website, Available Online at <https://www.youtube.com/watch?v=Ux8lmvFZwFc>, Apr. 11, 2016, 3 pages.

Primary Examiner — Sheryl Lane

Assistant Examiner — Nicole C Shiflet

(74) *Attorney, Agent, or Firm* — McCoy Russell LLP

Related U.S. Application Data

(62) Division of application No. 29/538,957, filed on Sep. 9, 2015, now Pat. No. Des. 817,965.

(51) **LOC (11) Cl.** **14-04**

(52) **U.S. Cl.**
USPC **D14/485**

(58) **Field of Classification Search**
USPC D14/485–495
CPC . G06F 3/0482; G06F 3/04842; G06F 3/04817
See application file for complete search history.

(56) **References Cited**

U.S. PATENT DOCUMENTS

D512,722 S 12/2005 Wirz
D551,672 S * 9/2007 Wirz D14/485
D551,673 S 9/2007 Wirz
D553,163 S 10/2007 Choi
D611,052 S 3/2010 Bamford
D694,254 S 11/2013 Brinda et al.
D725,675 S 3/2015 Furuya Mariche et al.
D729,267 S 5/2015 Yoo et al.

(57) **CLAIM**

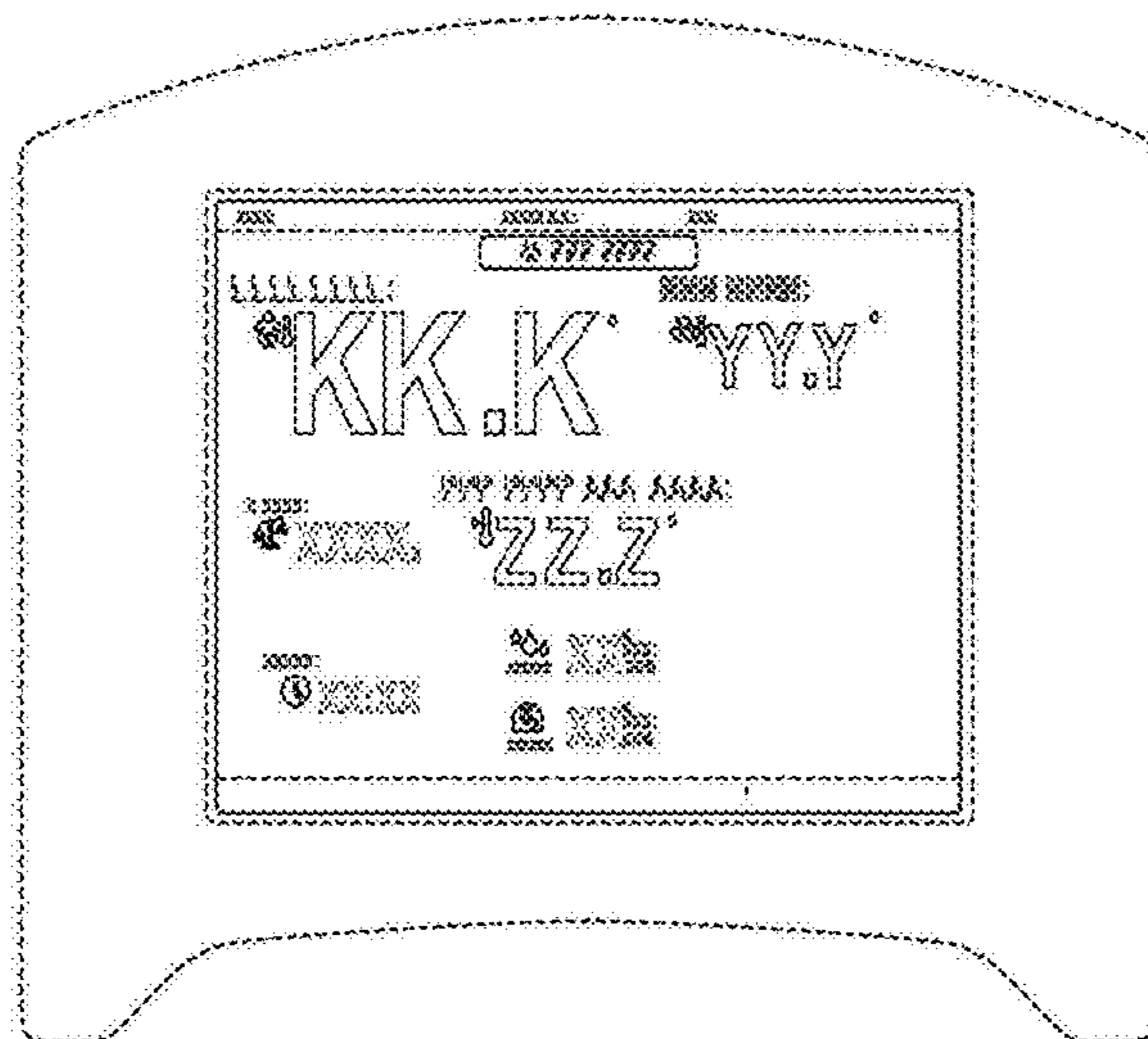
The ornamental design for a display screen with graphical user interface of an incubator, as shown and described.

DESCRIPTION

FIG. 1 is a front view of a display screen with graphical user interface of an incubator.
FIG. 2 is a back view of the display screen with graphical user interface of an incubator.
FIG. 3 is a top view thereof.
FIG. 4 is a bottom view thereof.
FIG. 5 is a right side view thereof; and,
FIG. 6 is a left side view thereof.

The broken lines in FIGS. 1-6 showing the monitor are included for the purpose of illustrating environmental structure and form no part of the claimed design. The broken lines within the monitor in FIG. 1 illustrate, graphical features that form no part of the claimed design.

1 Claim, 6 Drawing Sheets



(56)

References Cited

U.S. PATENT DOCUMENTS

D773,483 S	*	12/2016	Leventhal	D14/485
D780,191 S	*	2/2017	Kelley	D14/485
D780,801 S		3/2017	Jann et al.	
D782,494 S		3/2017	Leventhal et al.	
D785,003 S		4/2017	Yun et al.	
D791,161 S		7/2017	Hatzikostas	
D801,373 S	*	10/2017	Vaglio	G06F 19/3418 D14/486
D810,770 S	*	2/2018	Trahan	D14/486
D817,965 S	*	5/2018	Cipriano	D14/485
2014/0189593 A1		7/2014	Kurita et al.	

* cited by examiner

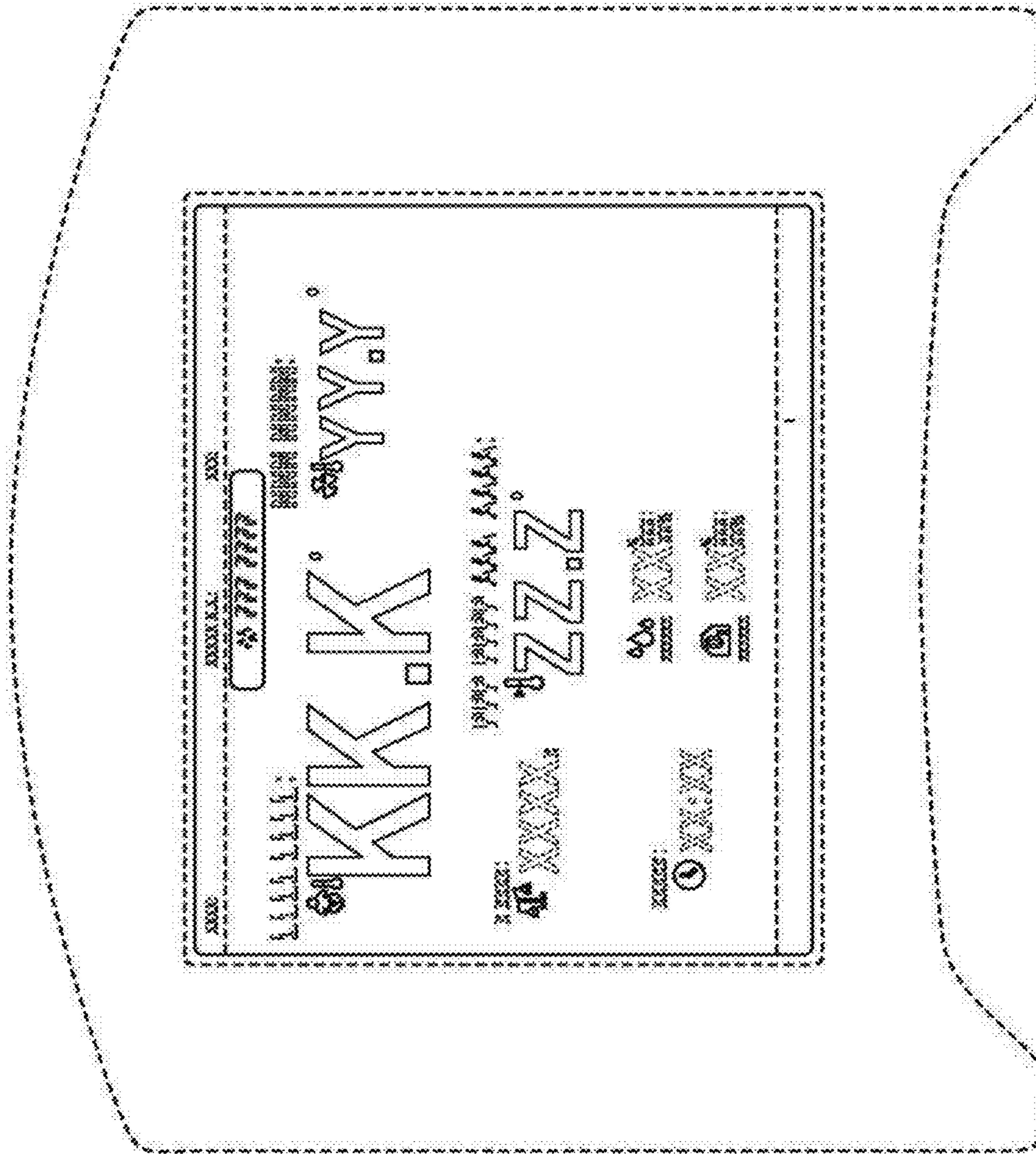


FIG. 1

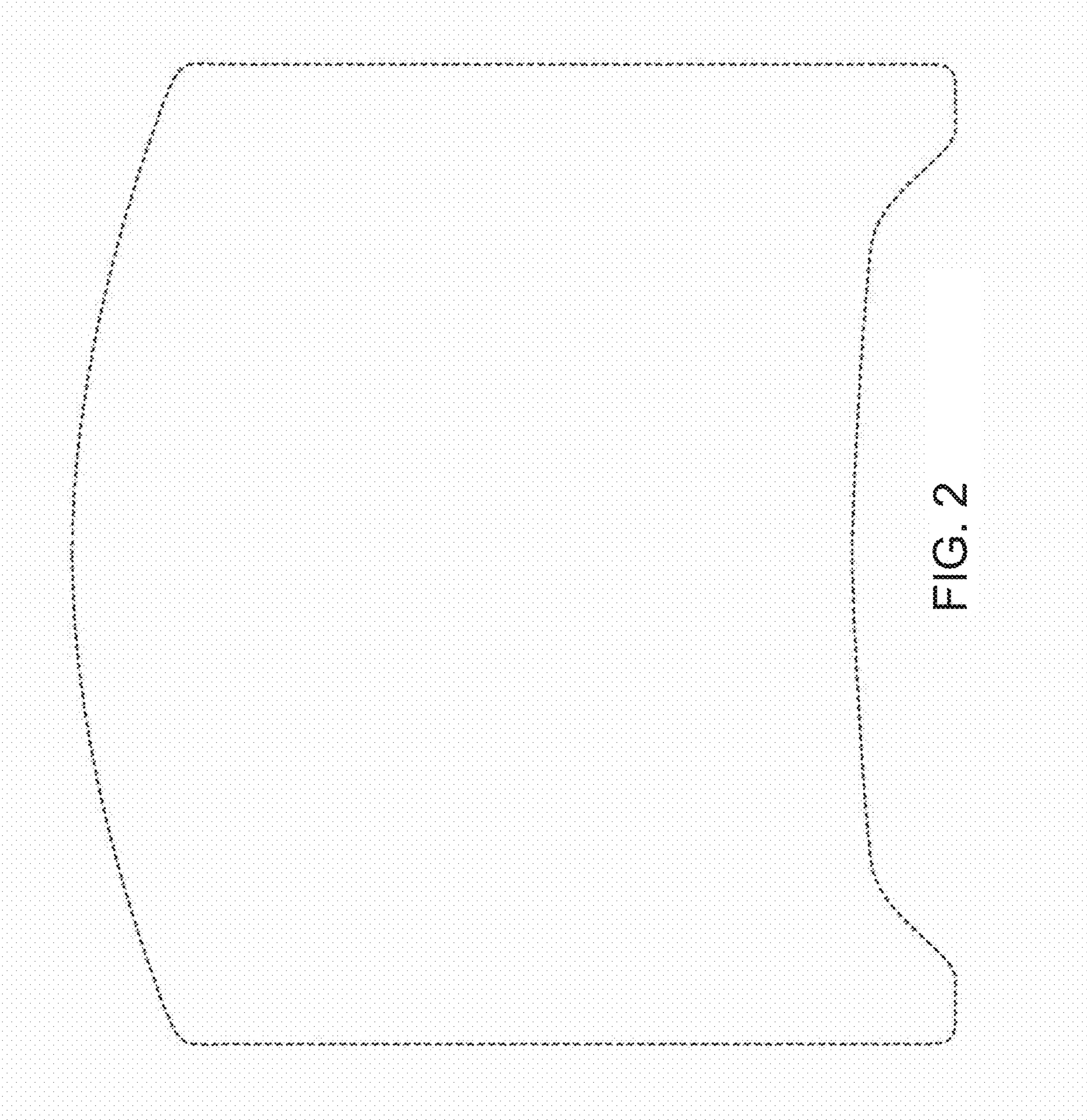


FIG. 2

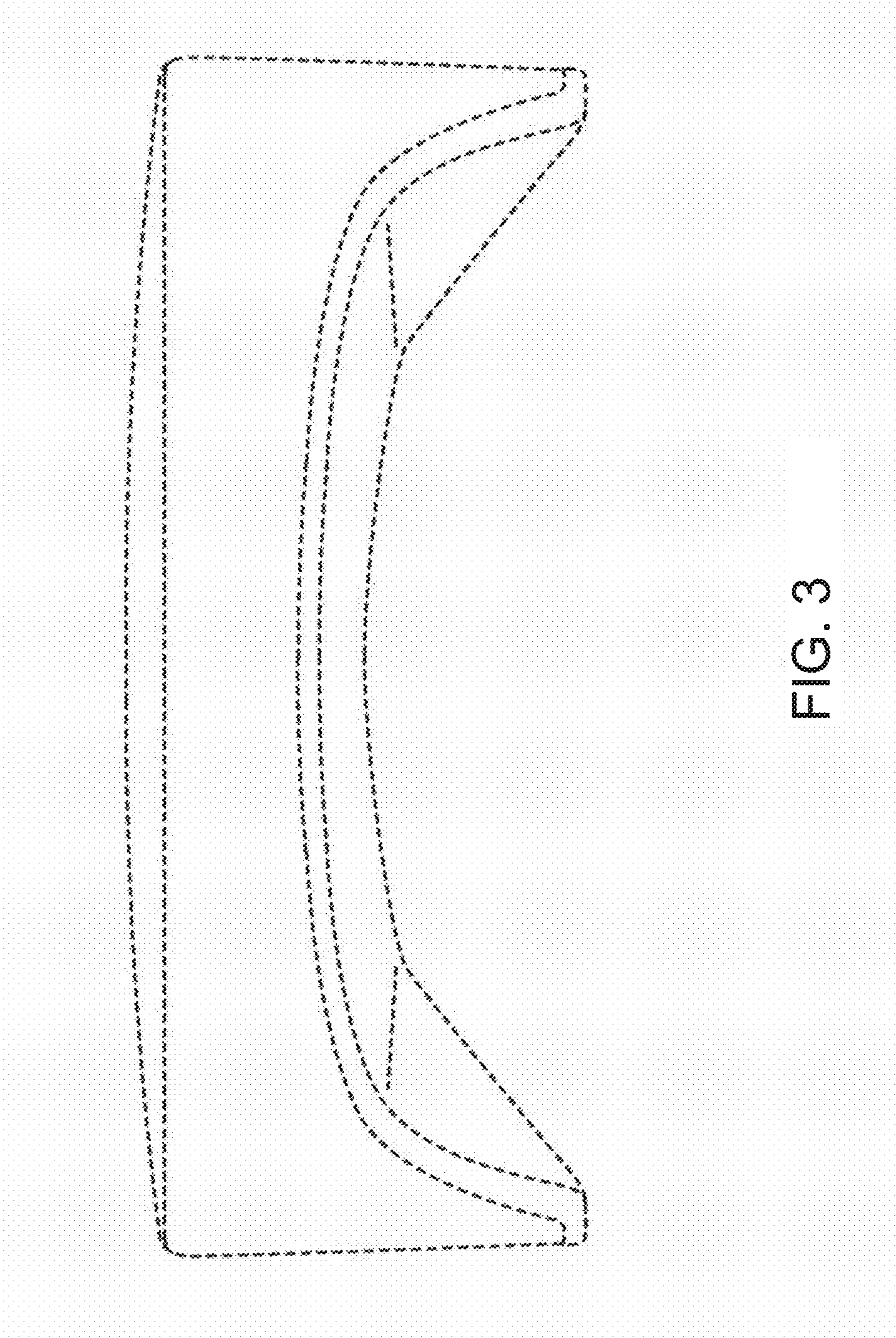


FIG. 3

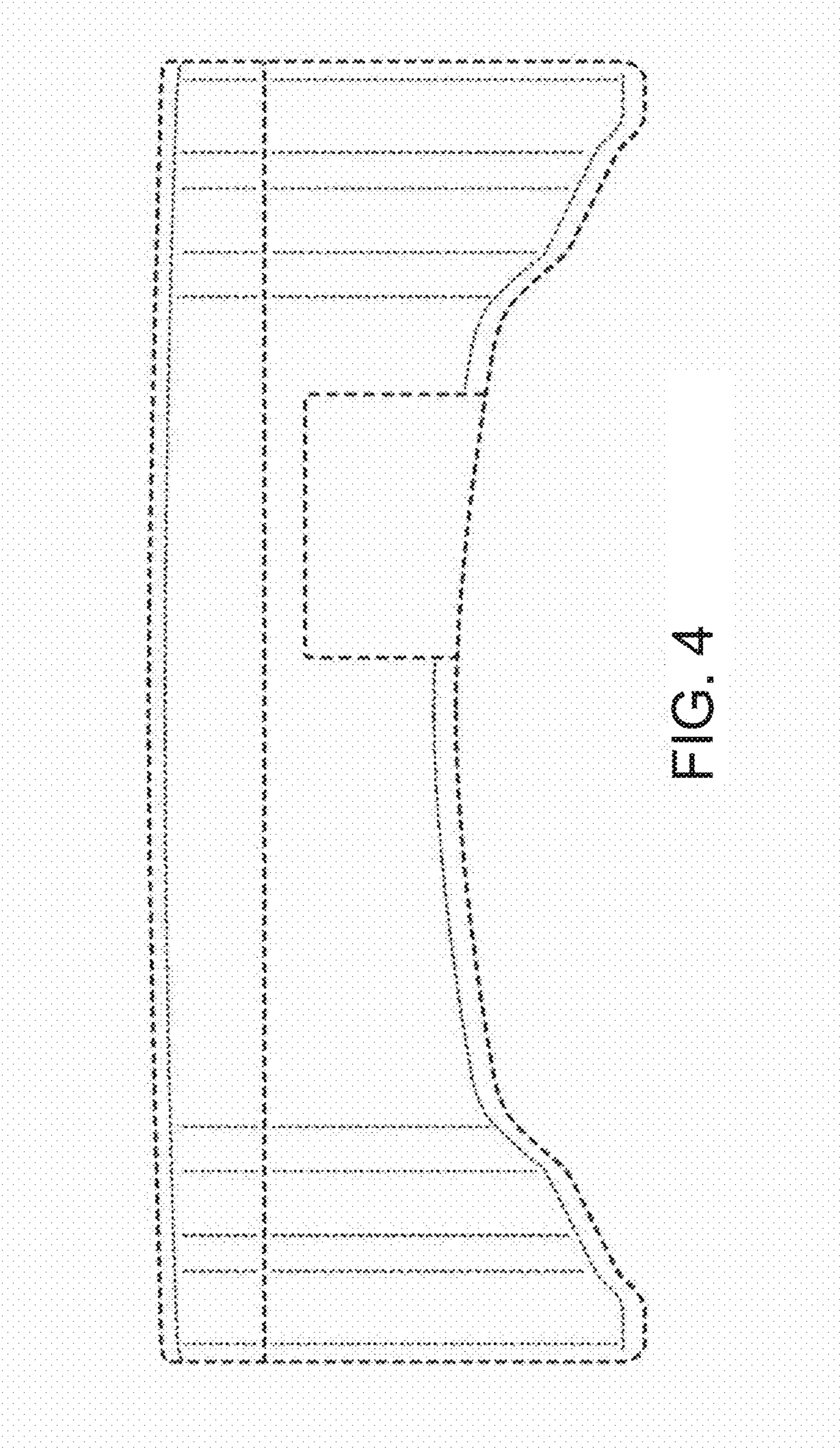


FIG. 4

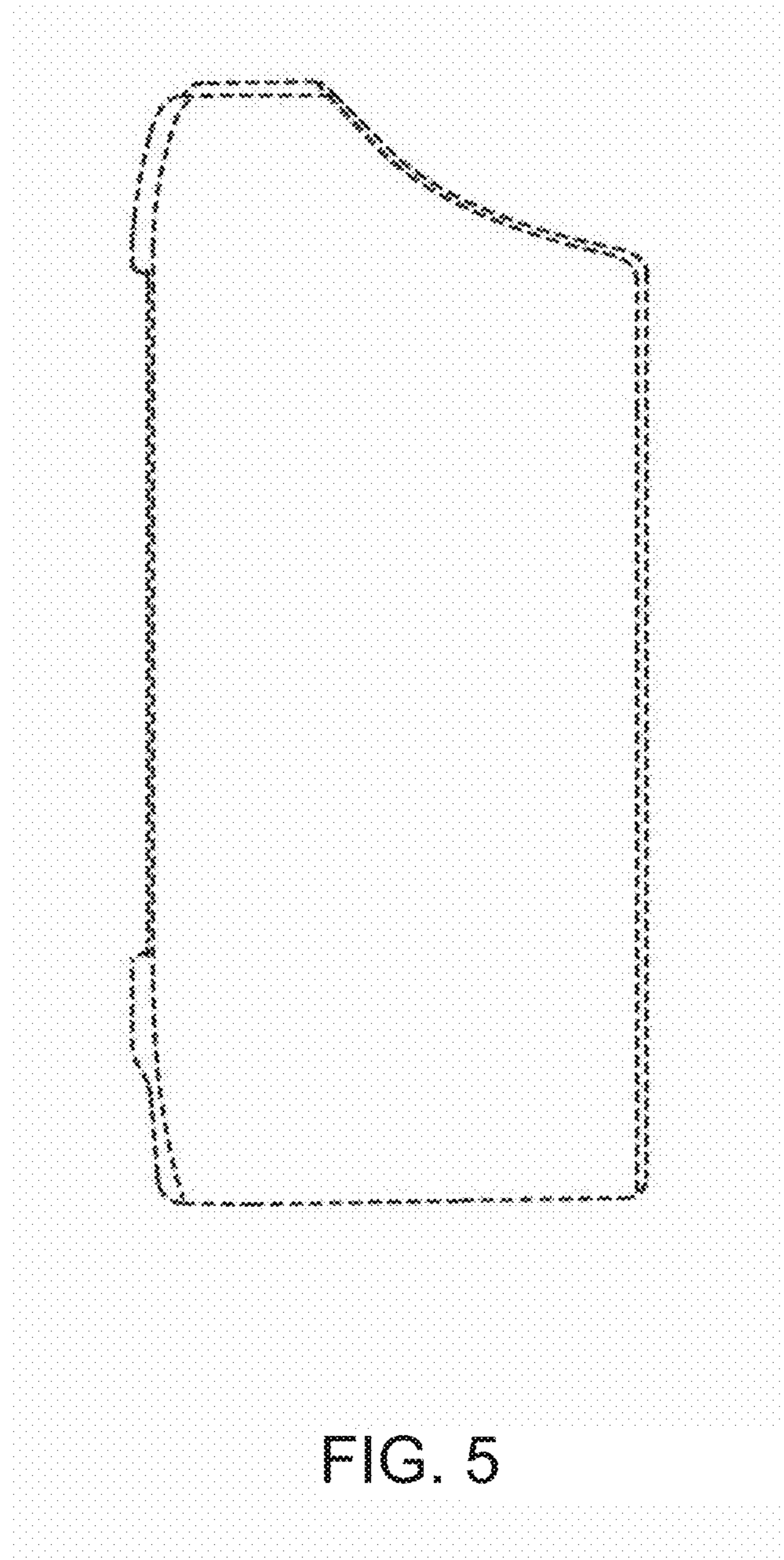


FIG. 5

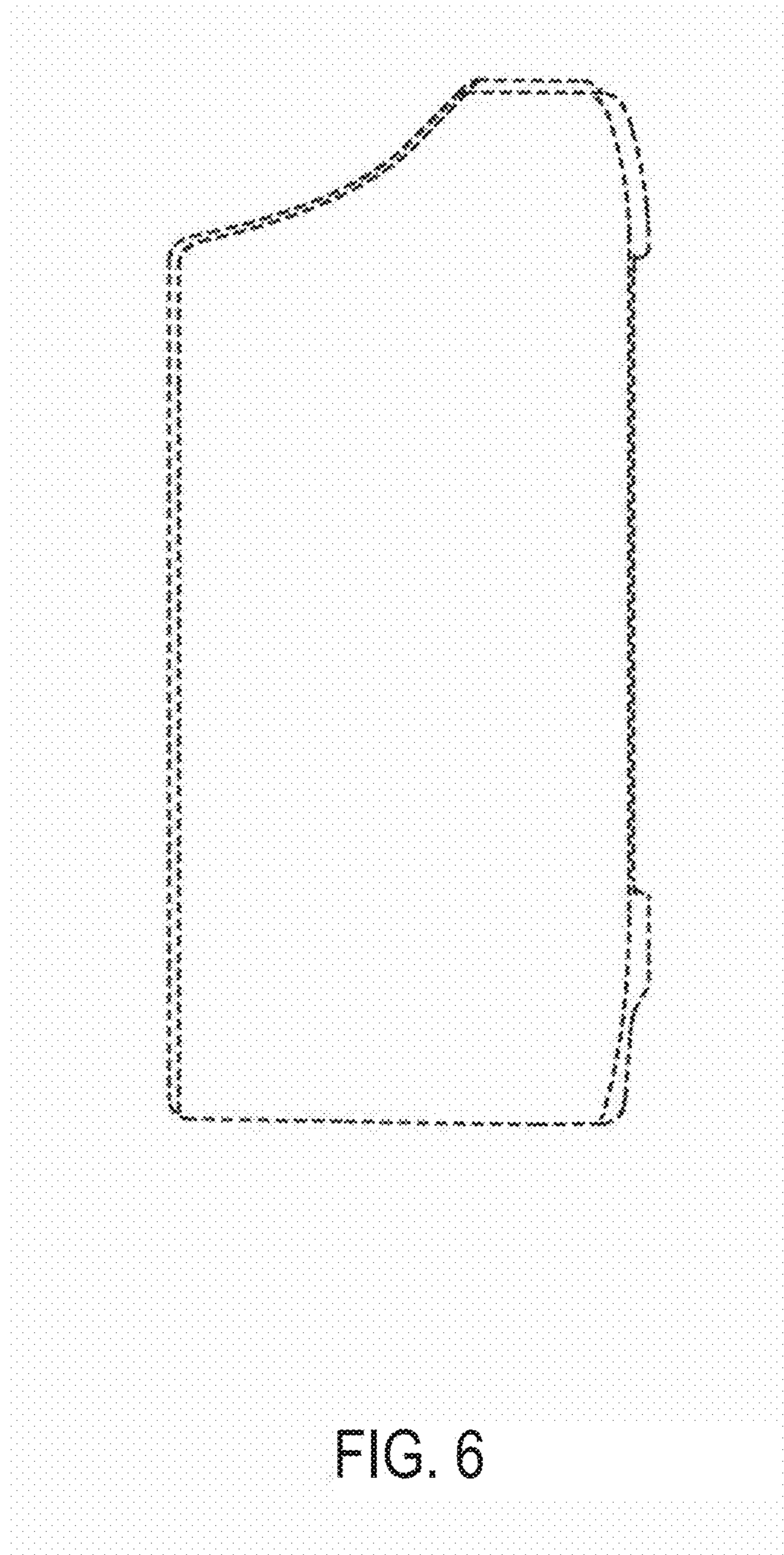


FIG. 6