



US00D844632S

(12) **United States Design Patent**
Roberts

(10) **Patent No.:** **US D844,632 S**

(45) **Date of Patent:** **** Apr. 2, 2019**

- (54) **USB MEMORY DEVICE**
- (71) Applicant: **James Christopher Roberts**, St Martin (GB)
- (72) Inventor: **James Christopher Roberts**, St Martin (GB)
- (73) Assignee: **FLASHBAY ELECTRONICS HONG KONG LIMITED**, Hong Kong (HK)

8,514,560 B2 *	8/2013	Wu	H05K 5/0278	361/679.31
D705,235 S *	5/2014	Slemp	D14/480.6	
D712,414 S *	9/2014	Tsai	D14/480.6	
D721,714 S *	1/2015	Enayati	D14/480.6	
D749,600 S *	2/2016	Emami	D14/480.6	
D754,141 S *	4/2016	Billington	D14/480.6	
D759,031 S *	6/2016	Ozolins	D14/480.5	
D802,595 S *	11/2017	Bo	D14/435.1	
D806,715 S *	1/2018	Chen	D14/480.6	
D825,579 S *	8/2018	Chiu	D14/480.6	
2007/0111583 A1 *	5/2007	Cuellar	H01R 13/447	439/353

(**) Term: **15 Years**

(21) Appl. No.: **29/635,602**

(22) Filed: **Feb. 1, 2018**

(51) **LOC (11) Cl.** **14-03**

(52) **U.S. Cl.**
USPC **D14/480.6**

(58) **Field of Classification Search**
USPC D14/480.1-480.7, 435.1, 411, 433, 436,
D14/484.1, 137, 155, 203.1-203.8, 240,
D14/242; D13/133, 154
CPC H05K 5/0278; G06K 19/07732
See application file for complete search history.

(56) **References Cited**

U.S. PATENT DOCUMENTS

D622,278 S *	8/2010	Ma	D14/480.6
D685,808 S *	7/2013	Billington	D14/480.6

* cited by examiner

Primary Examiner — Angela J Lee

(57) **CLAIM**

The ornamental design for a USB memory device, as shown and described.

DESCRIPTION

FIG. 1 is a top view of the USB memory device, showing my design.

FIG. 2 is a rear view thereof.

FIG. 3 is a left side view thereof.

FIG. 4 is a front view thereof.

FIG. 5 is a rear, top left perspective thereof.

FIG. 6 is a front top left perspective thereof; and,

FIG. 7 is a front, top right perspective with the magnetic clasp open.

1 Claim, 2 Drawing Sheets

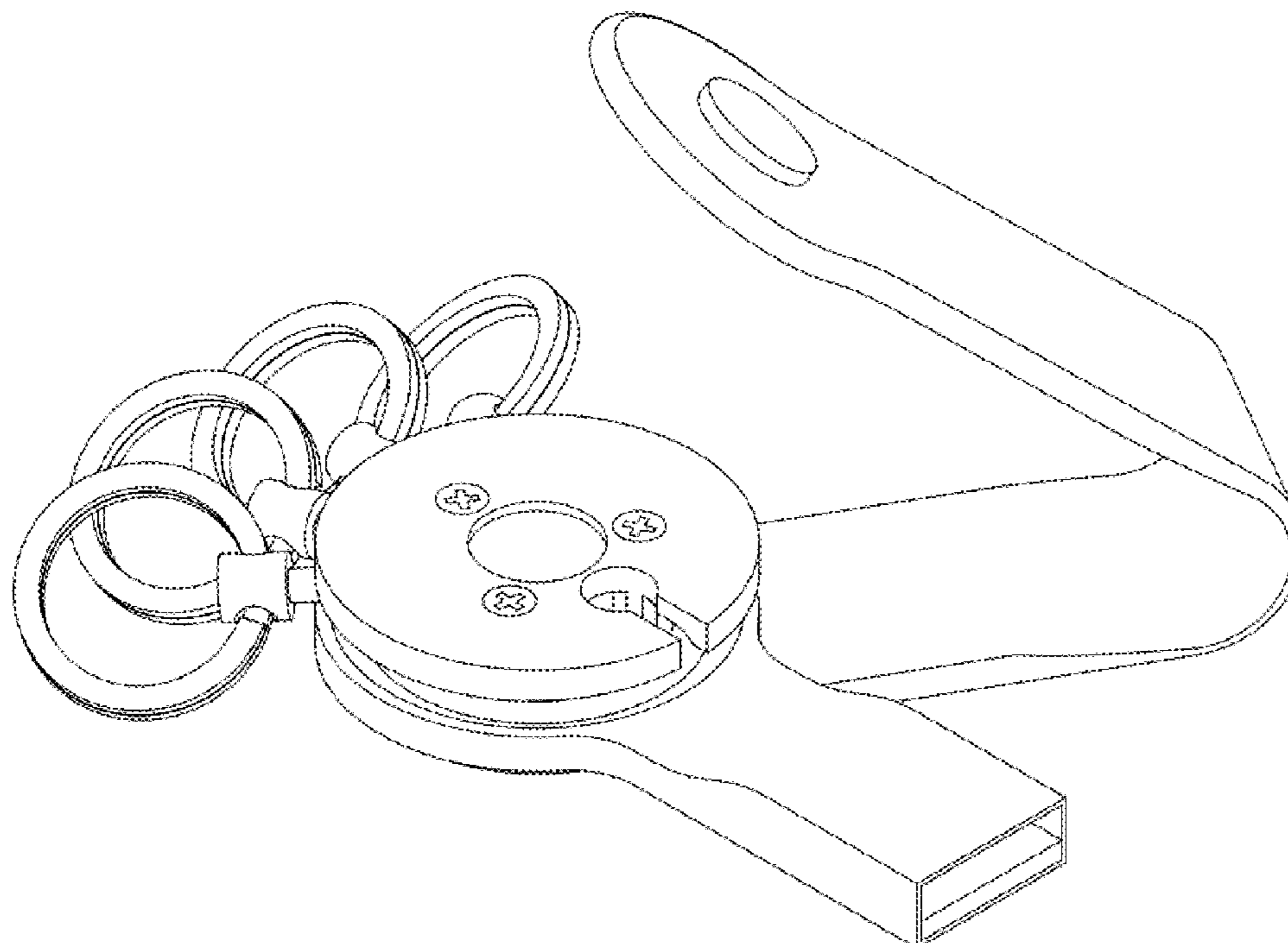


FIG.1

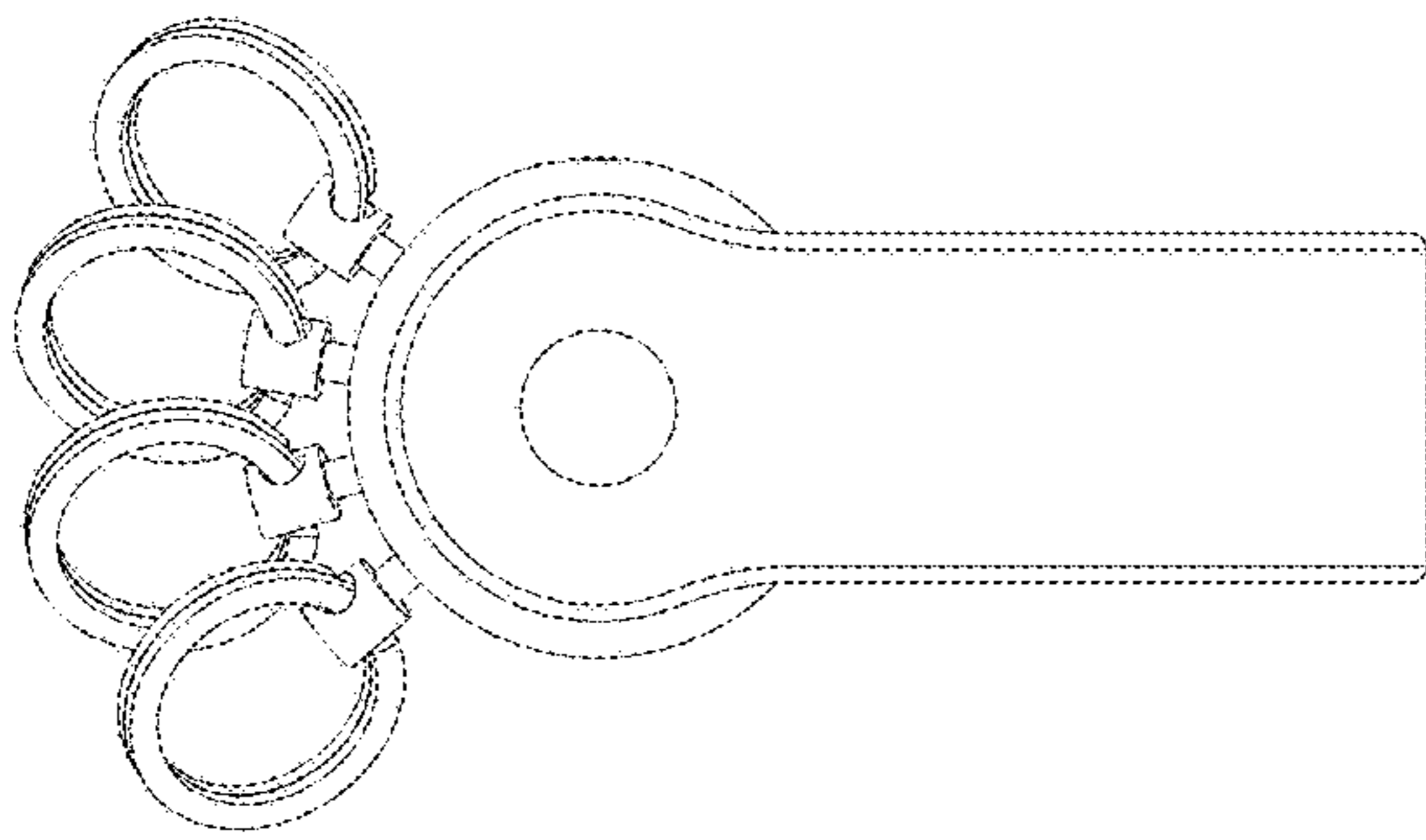


FIG.2

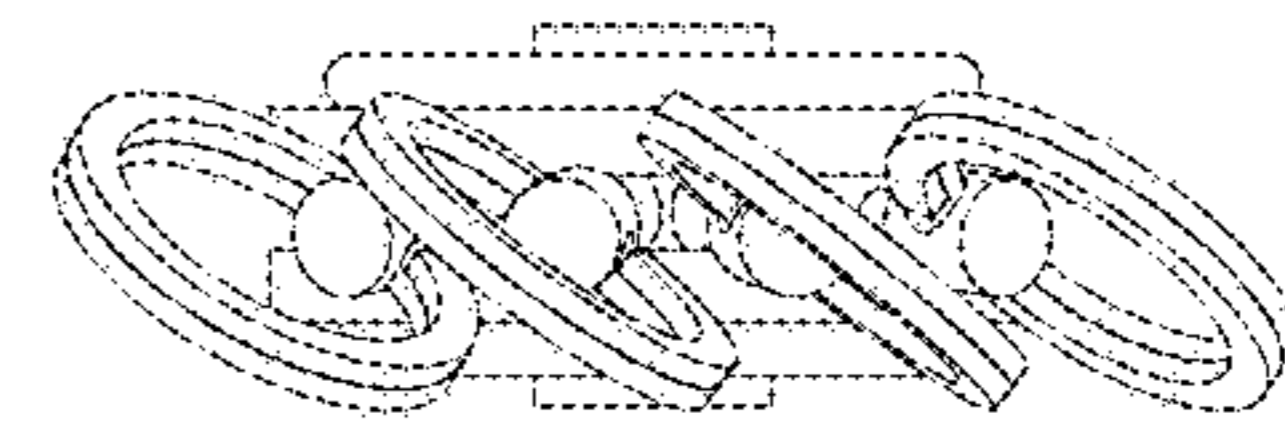


FIG.3

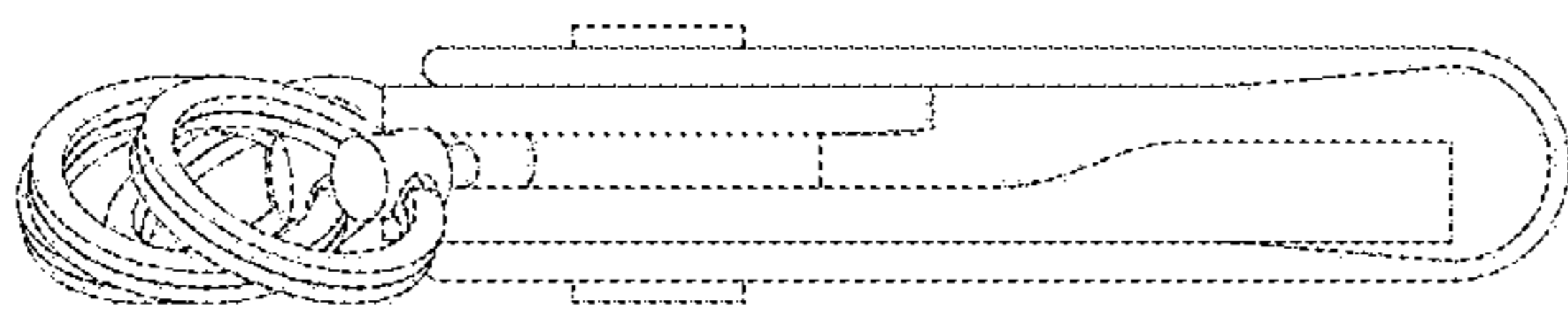


FIG.4

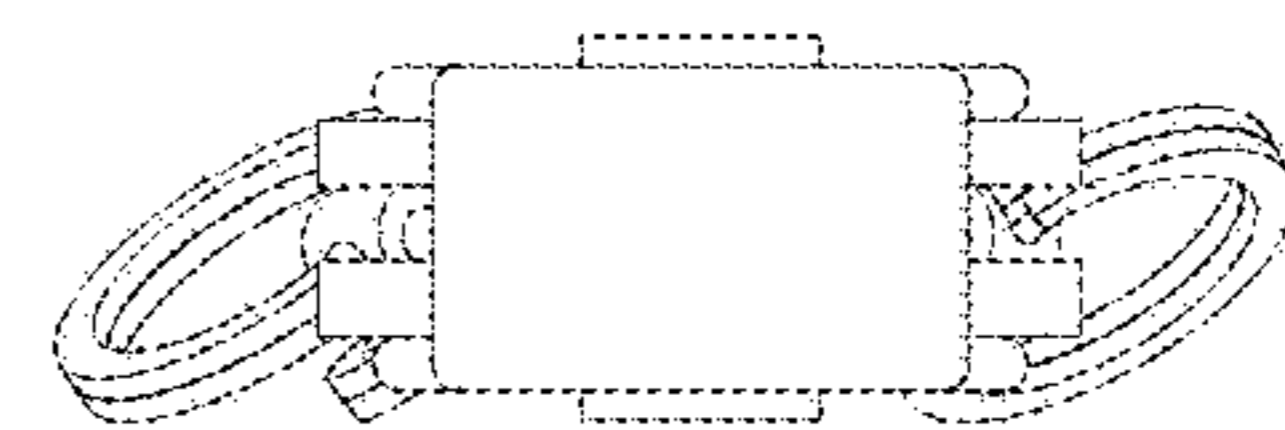


FIG.5

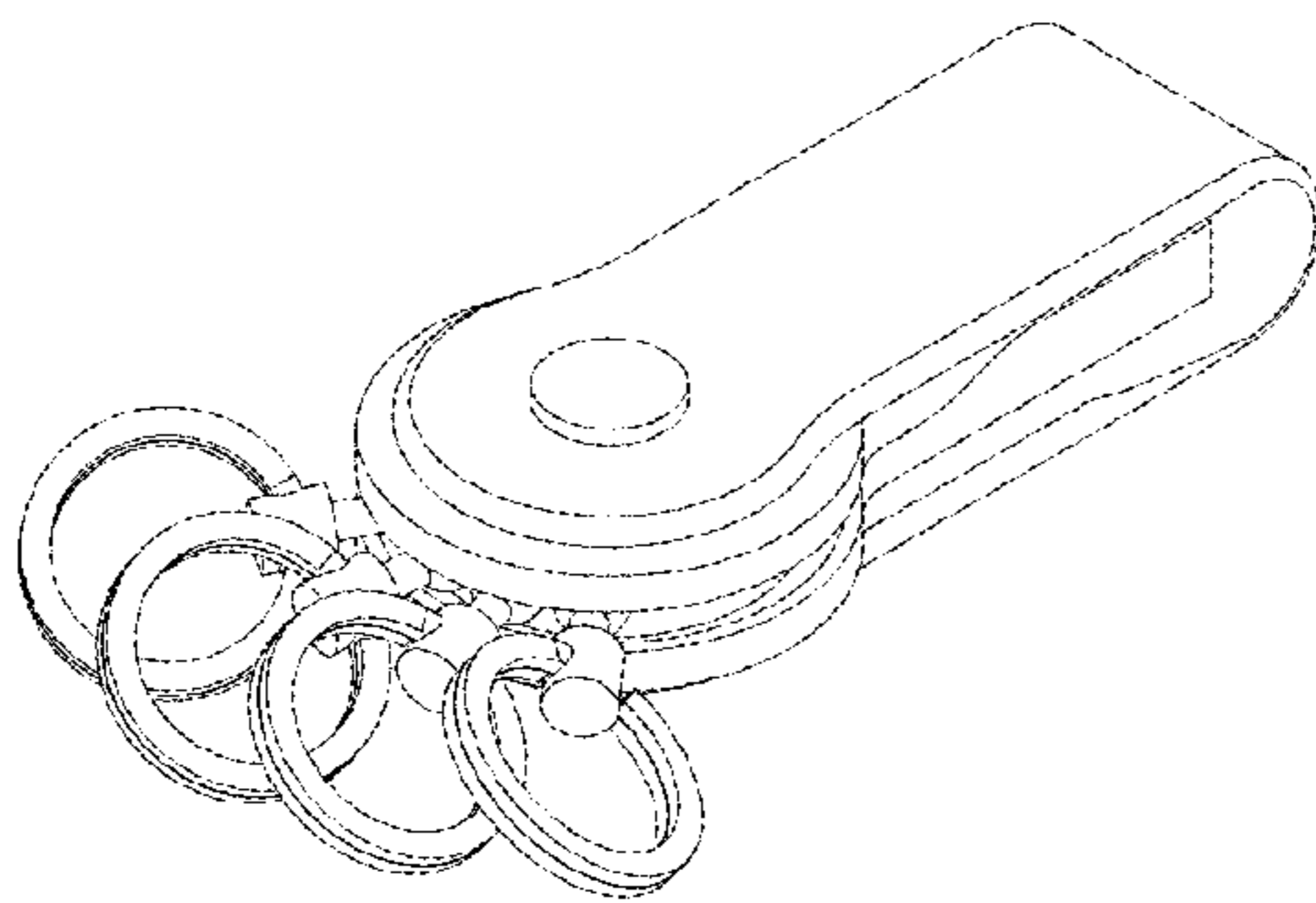


FIG.6

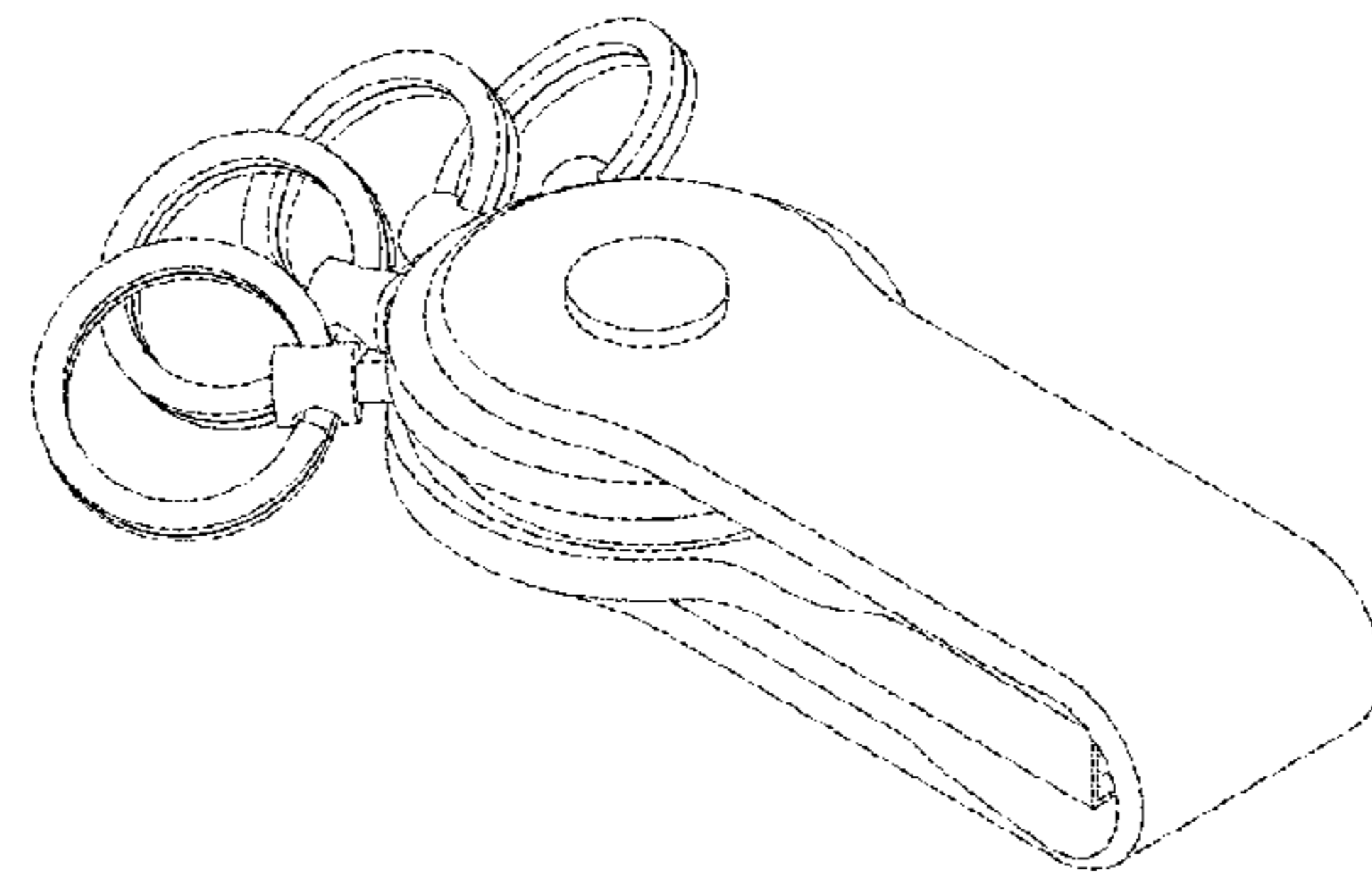


FIG.7

