



US00D844630S

(12) **United States Design Patent** (10) **Patent No.:** **US D844,630 S**  
**Sawai et al.** (45) **Date of Patent:** **\*\* Apr. 2, 2019**

(54) **DISC CARTRIDGE**

(56) **References Cited**

(71) Applicant: **Sony Corporation**, Tokyo (JP)

U.S. PATENT DOCUMENTS

(72) Inventors: **Jun Sawai**, Kanagawa (JP); **Jo Wada**, Tokyo (JP); **Takuji Nakamura**, Kanagawa (JP); **Osamu Miki**, Kanagawa (JP)

D274,522 S 7/1984 Kneale  
D325,468 S \* 4/1992 Ohba ..... D14/479  
D328,457 S \* 8/1992 Matsuzaka ..... D14/479  
5,150,269 A \* 9/1992 Iwaki ..... G11B 19/04  
360/133

(73) Assignee: **SONY CORPORATION**, Tokyo (JP)

D346,596 S 5/1994 Kajita et al.  
D367,885 S 3/1996 Ikenaga  
D374,220 S \* 10/1996 Katayama ..... D14/480  
D375,491 S \* 11/1996 Hata ..... D14/480  
5,638,228 A \* 6/1997 Thomas, III ..... G11B 23/0302  
242/344

(\*\*) Term: **15 Years**

(21) Appl. No.: **29/575,936**

D392,951 S 3/1998 Fujisawa  
5,777,980 A 7/1998 Adachi  
5,805,566 A \* 9/1998 Kobayashi ..... G11B 23/0308  
360/133

(22) Filed: **Aug. 30, 2016**

5,892,752 A 4/1999 Matsuura  
5,986,838 A 11/1999 Thomas

(Continued)

**Related U.S. Application Data**

(63) Continuation of application No. 29/421,840, filed on Oct. 3, 2012, now Pat. No. Des. 766,251.

*Primary Examiner* — George D. Kirschbaum  
*Assistant Examiner* — Kendra Leslie Hamilton  
(74) *Attorney, Agent, or Firm* — Michael Best & Friedrich LLP

(30) **Foreign Application Priority Data**

Apr. 11, 2012 (CN) ..... 2012 3 0104305  
Apr. 11, 2012 (JP) ..... D2012-008512  
Apr. 11, 2012 (JP) ..... D2012-008513

(57) **CLAIM**

The ornamental design for a disc cartridge, as shown and described.

(51) **LOC (11) Cl.** ..... **14-99**

(52) **U.S. Cl.**  
USPC ..... **D14/479**

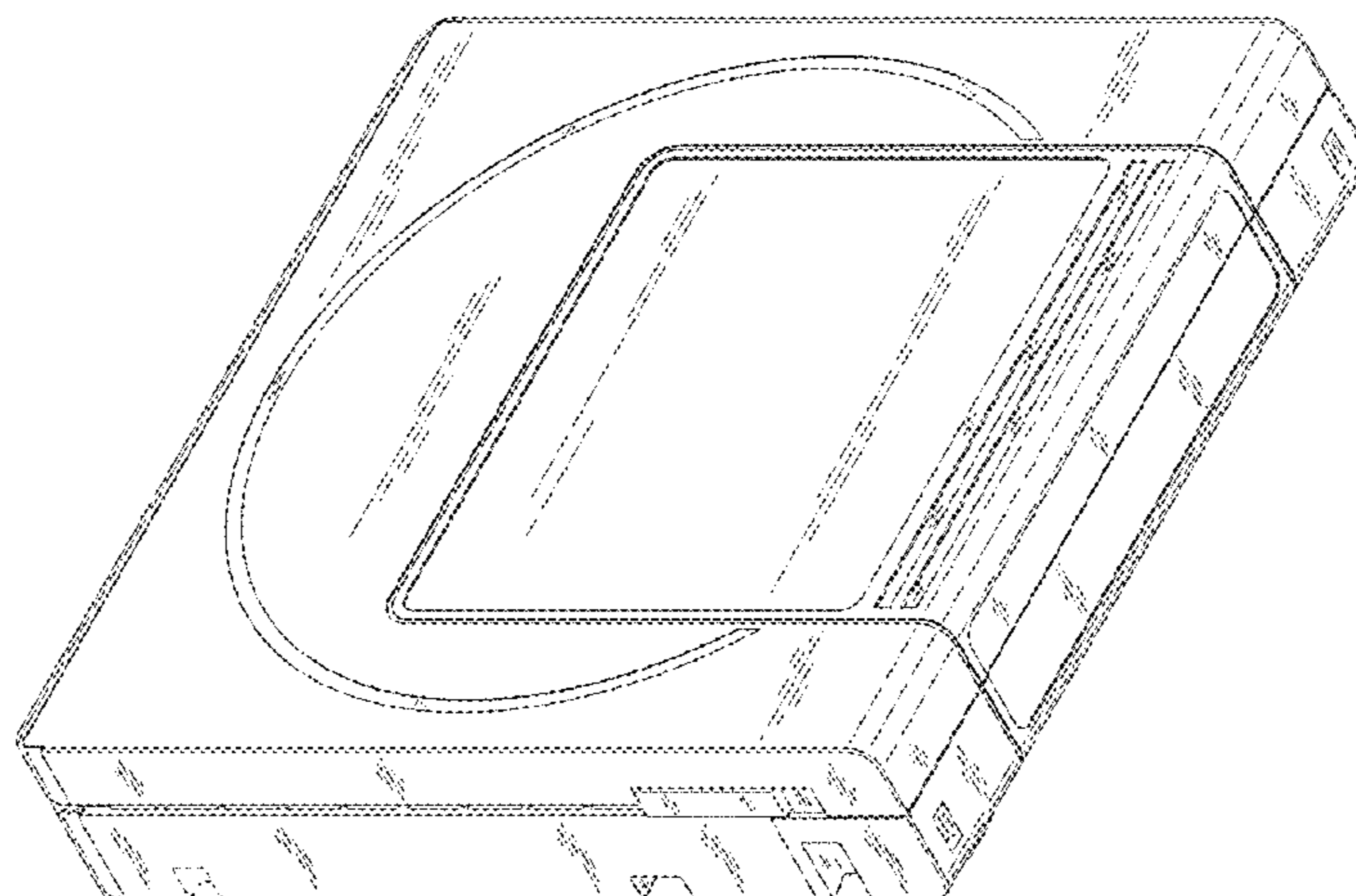
**DESCRIPTION**

(58) **Field of Classification Search**

USPC .... D14/480, 478, 435, 479, 474; 369/77.11, 369/77.21, 277, 291.1, 273, 275.4; 360/99.08, 132, 133, 135, 99.04; 206/308.3, 307, 308.1; 720/726, 739, 720/740, 741, 742, 743, 744, 725, 738; D6/627, 407, 631; D21/324, 332  
CPC ..... G11B 23/0302; G11B 23/0332  
See application file for complete search history.

FIG. 1 is a front, top, right perspective view of a disc cartridge showing our new design; FIG. 2 is a rear, bottom left perspective view thereof; FIG. 3 is a front elevational view thereof; FIG. 4 is a rear elevational view thereof; FIG. 5 is a left side elevational view thereof; FIG. 6 is a right side elevational view thereof; FIG. 7 is a top plan view thereof; and, FIG. 8 is a bottom plan view thereof. The broken lines illustrating the unclaimed portions of the disc cartridge form no part of the claimed design.

**1 Claim, 6 Drawing Sheets**



(56)

## References Cited

## U.S. PATENT DOCUMENTS

D420,347 S 2/2000 Ichikawa et al.  
D420,653 S 2/2000 Ikenaga  
D422,997 S 4/2000 Isozaki et al.  
6,091,563 A \* 7/2000 Thomas, III ..... G06K 7/12  
360/132  
D444,789 S 7/2001 Obata  
D457,569 S 5/2002 Pinchuk  
D465,786 S \* 11/2002 Hoge ..... D14/475  
D466,902 S \* 12/2002 Warmenhoven ..... D14/479  
D473,875 S \* 4/2003 Taniguchi ..... D14/435  
D474,191 S 5/2003 Nakayama  
D474,777 S 5/2003 Niitsu  
D475,059 S 5/2003 Niitsu  
D476,663 S \* 7/2003 Nonomura ..... D14/483  
D491,564 S 6/2004 Chaney  
6,763,521 B2 \* 7/2004 Thayne ..... G11B 23/0307  
720/719  
D506,207 S \* 6/2005 Kitaoka ..... D14/479  
7,016,153 B2 \* 3/2006 Aoishi ..... G11B 23/0332  
360/133  
D522,522 S \* 6/2006 Goto ..... D14/478  
D543,206 S \* 5/2007 Maruyama ..... D21/332  
D560,666 S 1/2008 Ulrich  
D563,414 S \* 3/2008 Mak Pui See ..... D14/435  
D583,385 S \* 12/2008 Goto ..... D14/478  
D585,899 S 2/2009 Shek  
D766,251 S \* 9/2016 Sawai ..... D14/478  
D804,485 S \* 12/2017 Yang ..... D14/435

\* cited by examiner

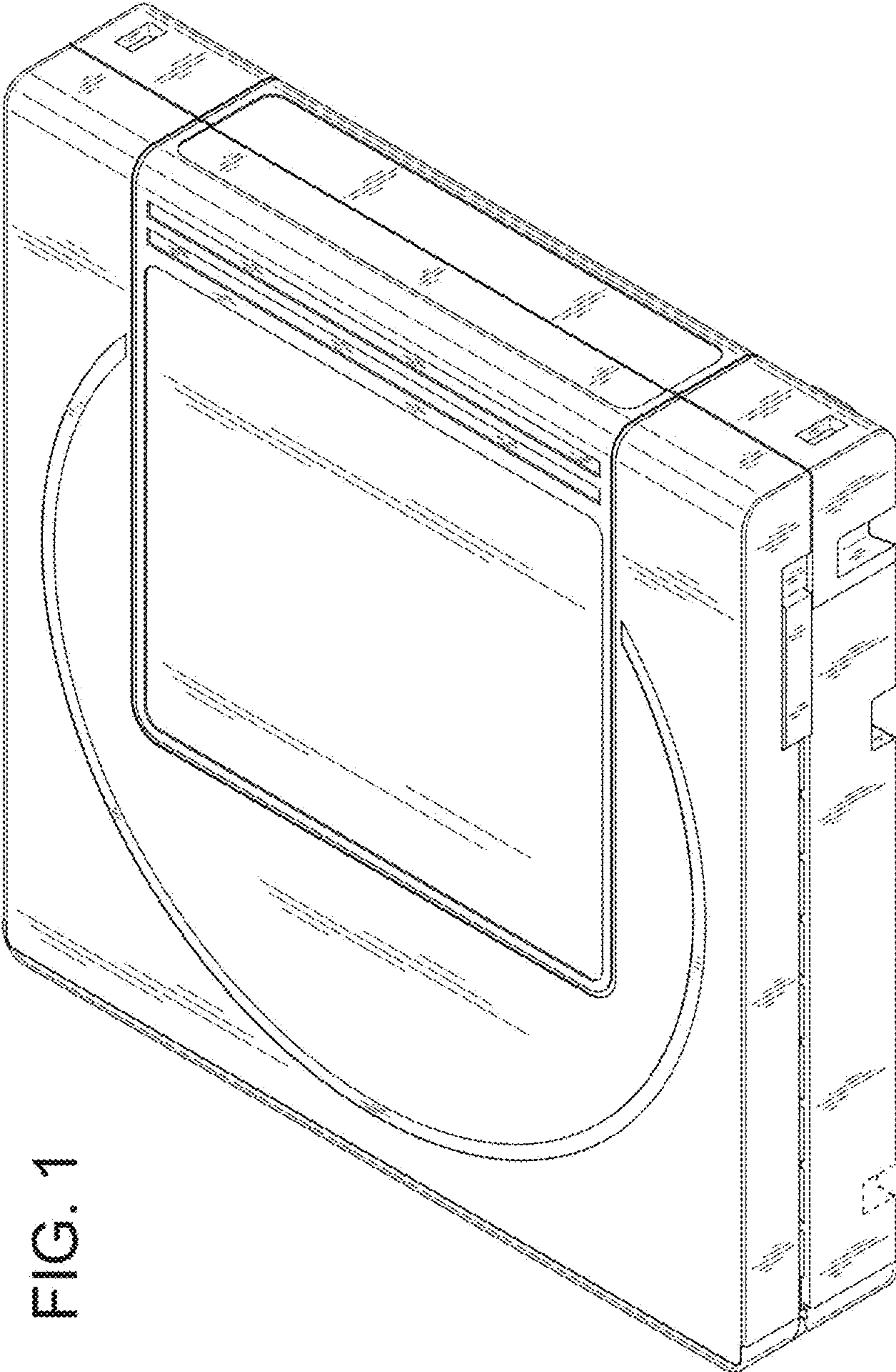


FIG. 1

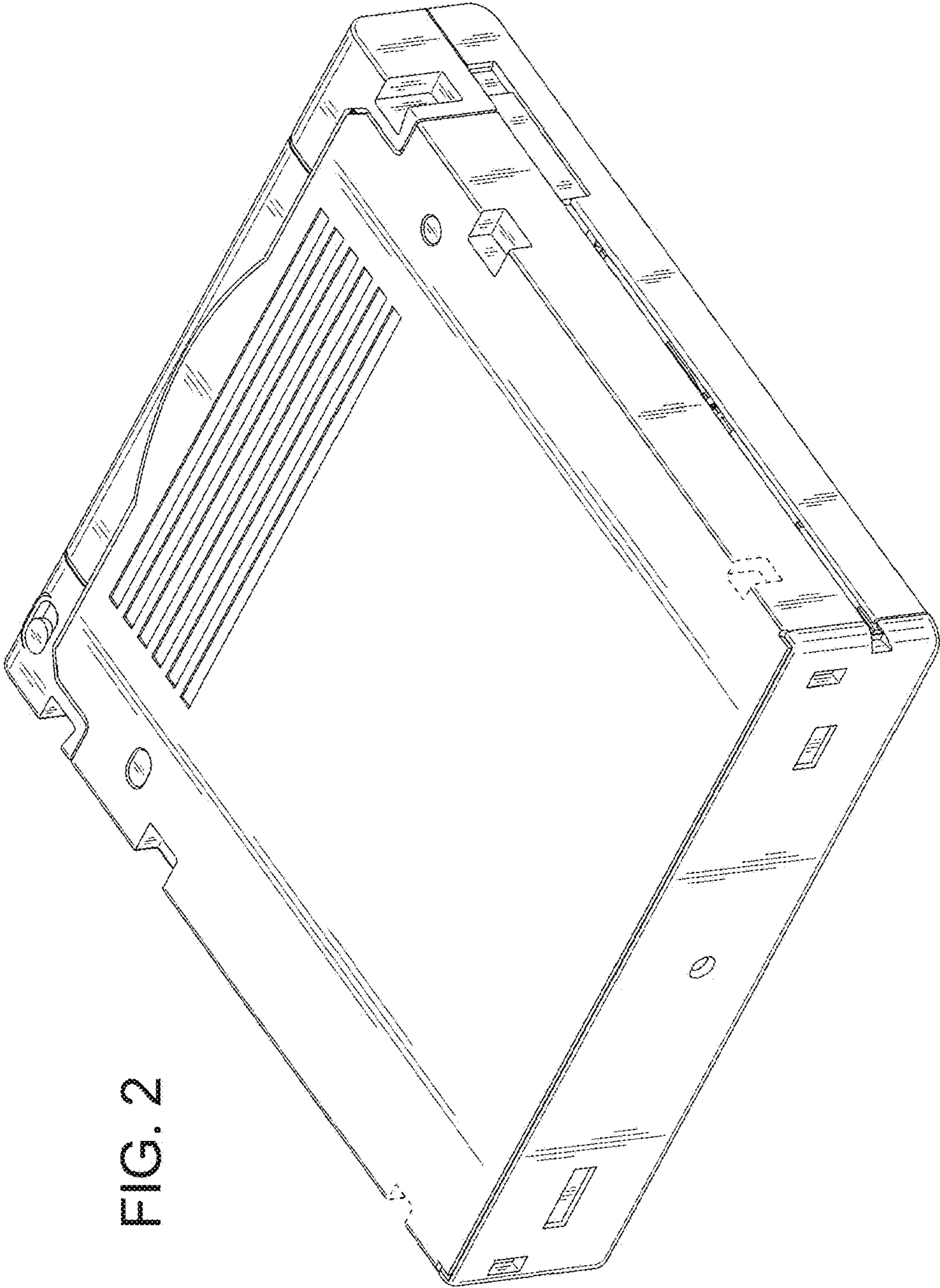


FIG. 2

FIG. 3

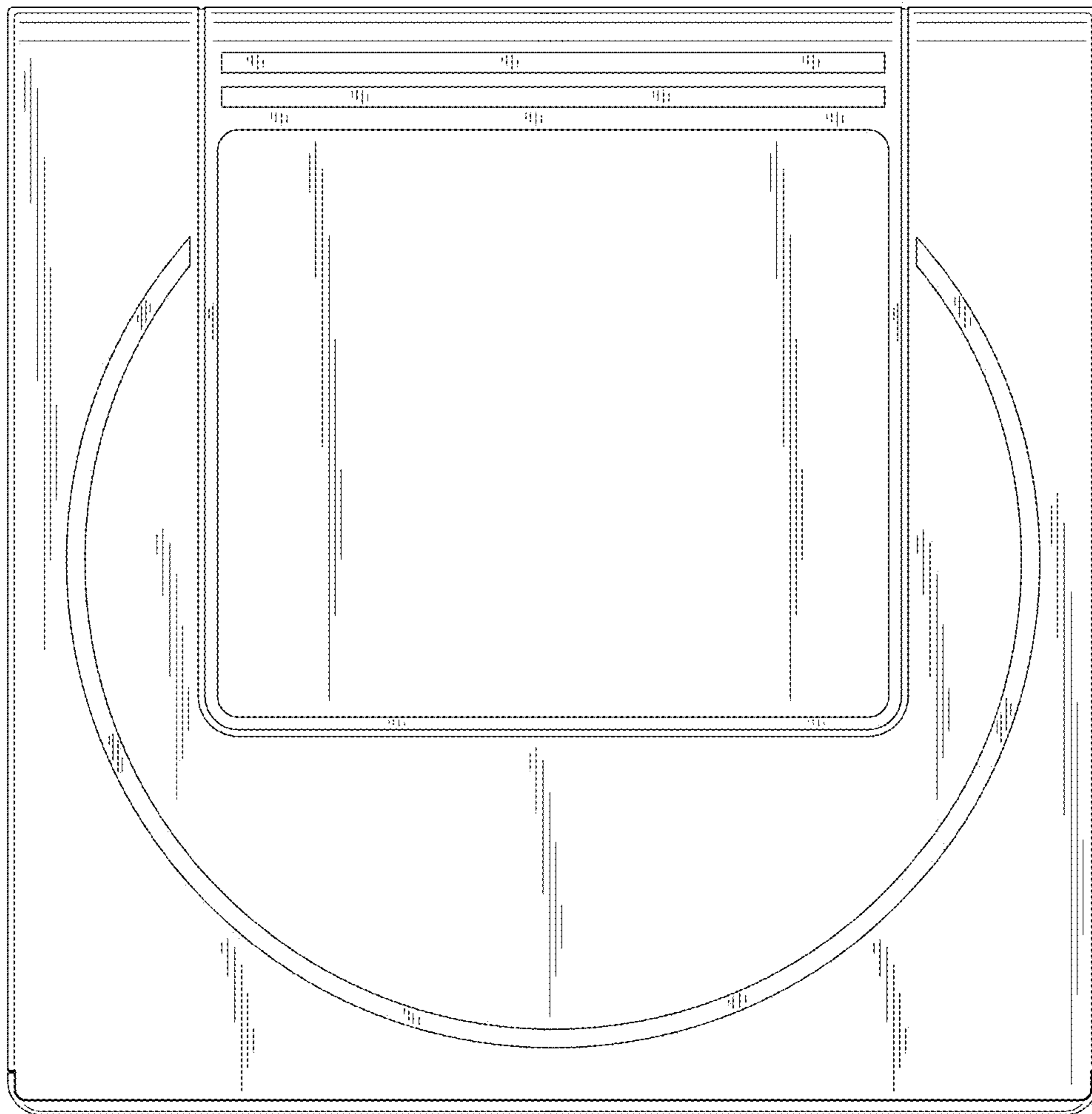


FIG. 4

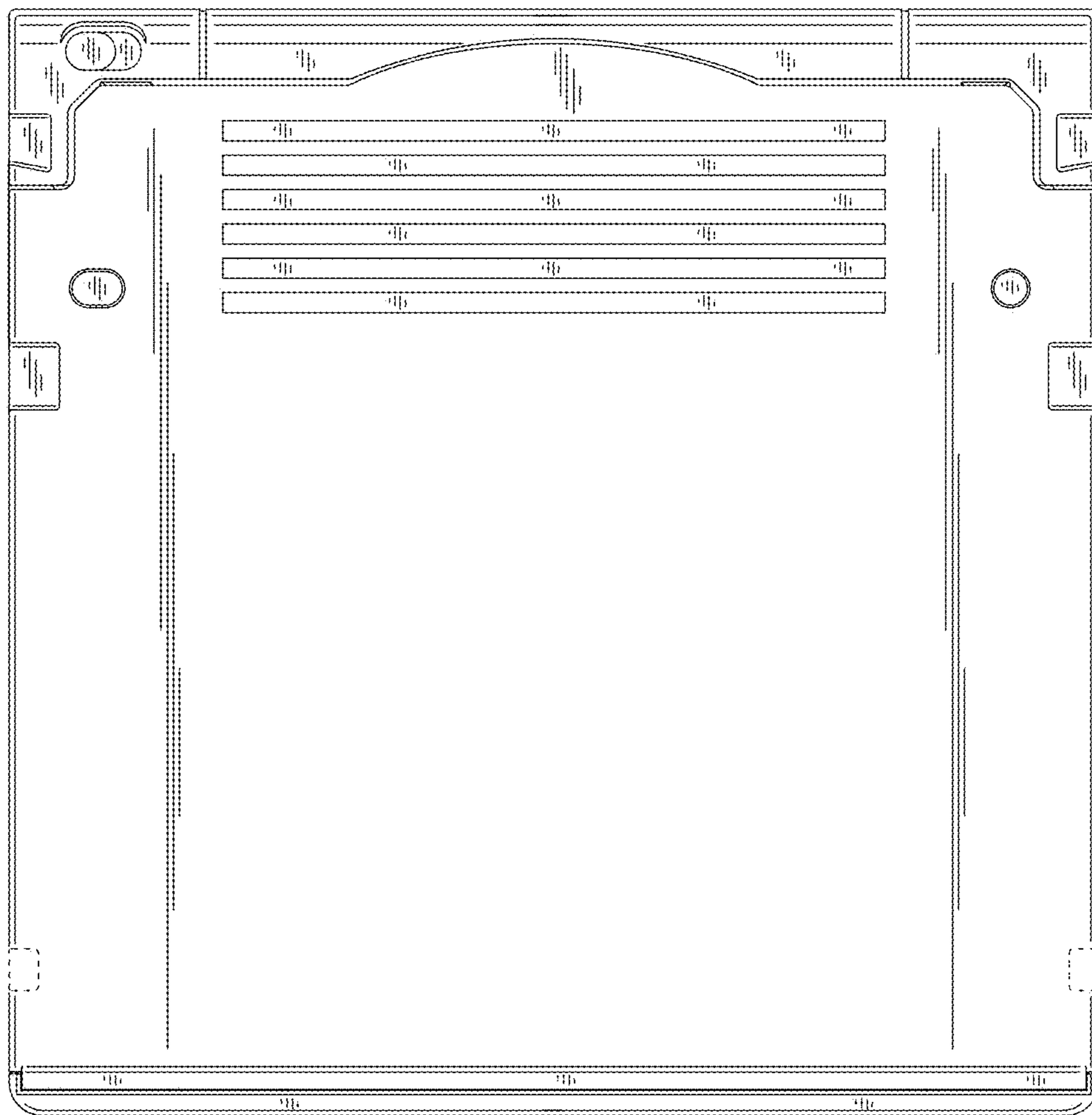


FIG. 5

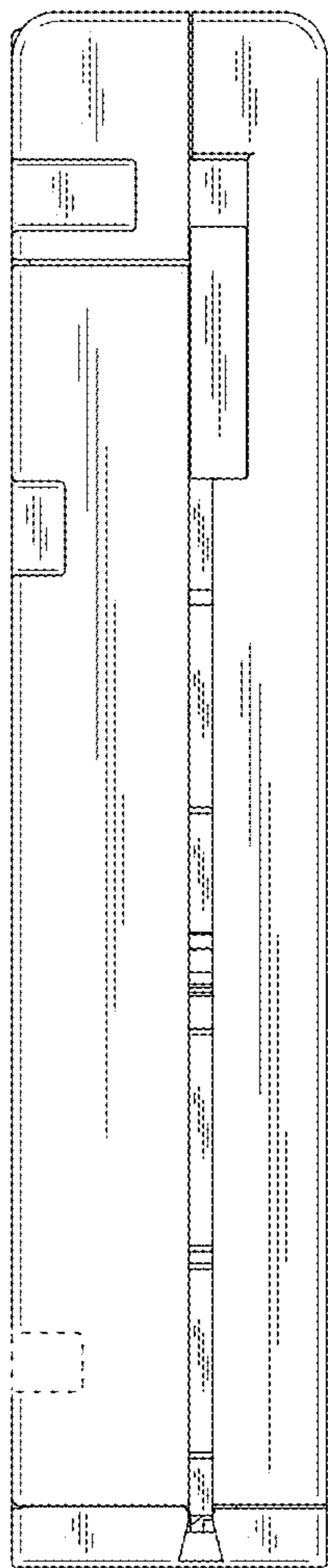


FIG. 6

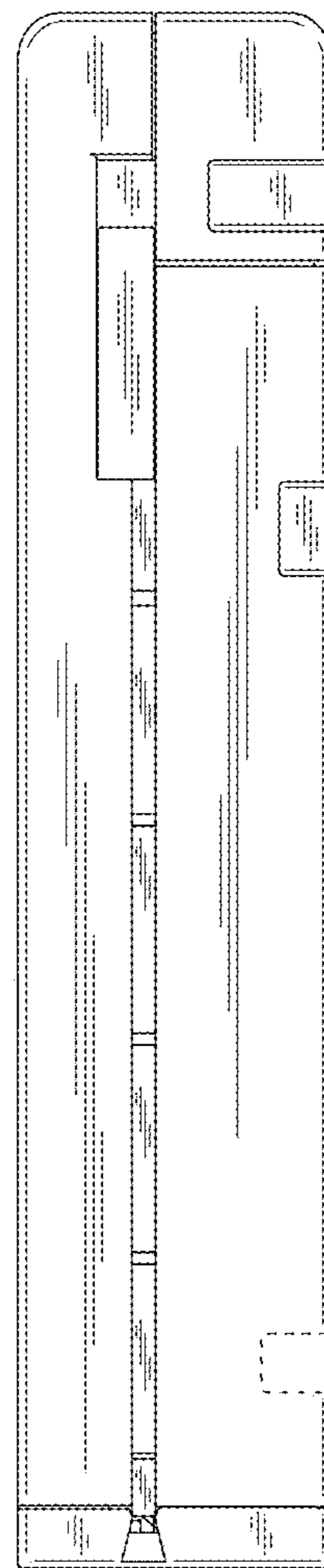


FIG. 7

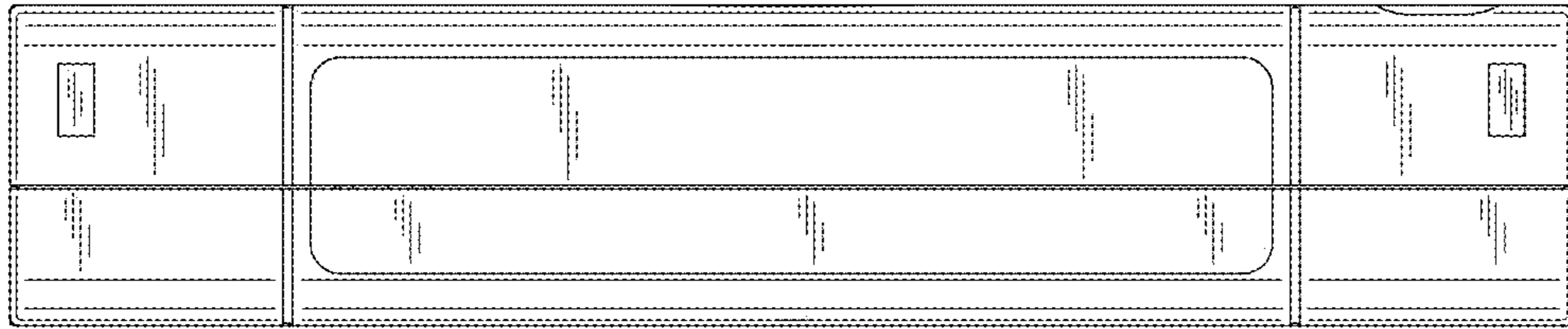


FIG. 8

