



US00D844629S

(12) **United States Design Patent** (10) **Patent No.:** **US D844,629 S**
Brine et al. (45) **Date of Patent:** **** Apr. 2, 2019**

- (54) **CARRIER FOR DATA ACQUISITION MODULES**
- (71) Applicant: **SCIOMETRIC INSTRUMENTS INC.**, Kanata (CA)
- (72) Inventors: **Richard Michel Brine**, Ottawa (CA); **Michael McGuire**, Ottawa (CA)
- (73) Assignee: **Sciometric Instruments Inc.**, Ottawa (CA)
- (**) Term: **15 Years**
- (21) Appl. No.: **29/633,231**
- (22) Filed: **Jan. 12, 2018**

Related U.S. Application Data

- (62) Division of application No. 29/575,600, filed on Aug. 26, 2016.
- (51) **LOC (11) Cl.** **14-02**
- (52) **U.S. Cl.**
 USPC **D14/474**; D14/358
- (58) **Field of Classification Search**
 USPC D14/356, 357, 358, 361, 362, 365, 367, D14/370, 388, 389, 432, 434, 216, 217, D14/218, 240, 242, 299, 125, 129, 130, D14/140, 155, 168, 188, 496, 300, 474, D14/483, 203.1, 203.3, 203.6, 238.1; D13/103, 110, 123, 152, 162, 162.1, 163, D13/168, 184, 199, 158; D10/104.1, D10/106.3, 106.6, 116.1, 46, 49, 61, 75, D10/60, 70, 74, 80, 83, 103, 121; D3/218; D15/78, 89, 138, 199
 CPC ... H04L 29/08; H04L 29/08558; H04L 12/24; H04L 67/12; G05B 19/00; G05B 19/05; G06F 1/26; G06F 17/18; G06F 17/40; H04B 1/66
- See application file for complete search history.

- (56) **References Cited**
- U.S. PATENT DOCUMENTS
- | | | | | |
|---------------|---------|------------|-------|-----------|
| 1,148,699 A * | 8/1915 | Mewilliams | | 174/59 |
| D280,494 S * | 9/1985 | Abel | | D10/106.1 |
| D290,960 S * | 7/1987 | Brann | | D14/312 |
| D371,515 S * | 7/1996 | Iwaki | | D10/46 |
| D385,251 S * | 10/1997 | Friedli | | D13/103 |
| D427,533 S * | 7/2000 | Cowan | | D10/75 |
| D487,274 S * | 3/2004 | Nakamura | | D14/483 |
| D606,441 S * | 12/2009 | Miyatake | | D10/111 |
| D625,636 S * | 10/2010 | Fehrenbach | | D10/101 |
| D659,668 S * | 5/2012 | Neumann | | D14/155 |
- (Continued)

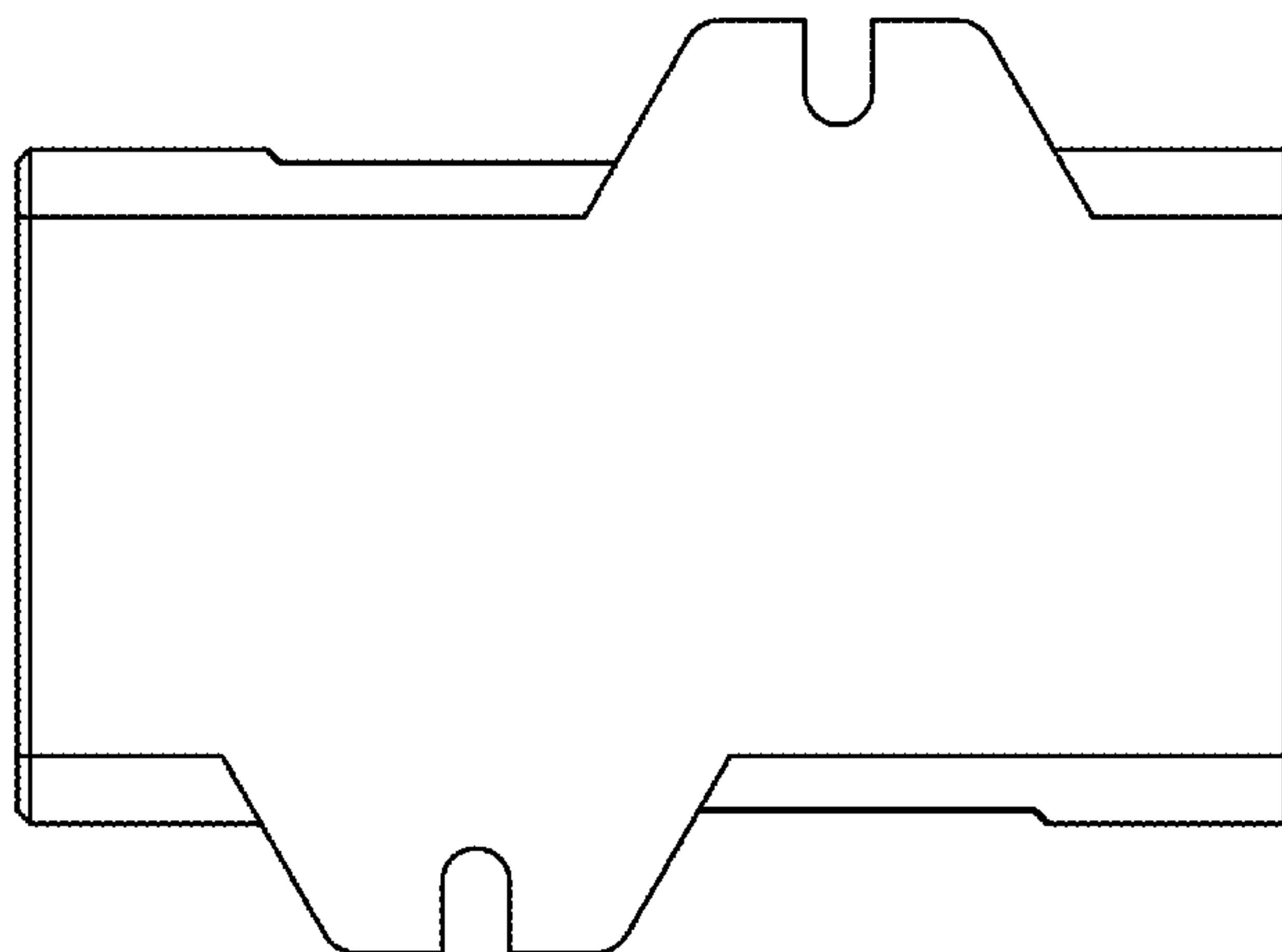
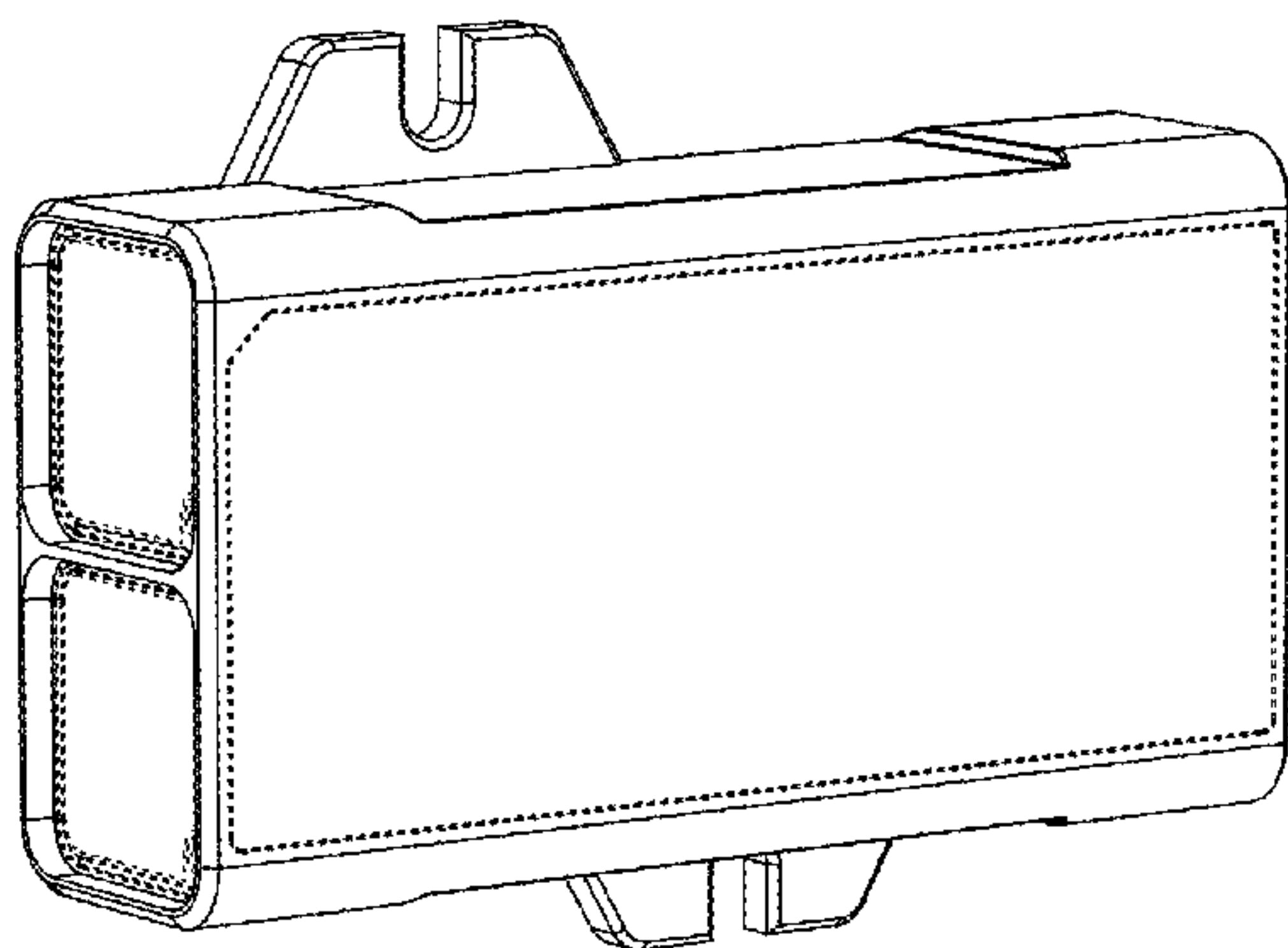
Primary Examiner — Marie D. Fast Horse
 (74) *Attorney, Agent, or Firm* — Stratford Managers Corporation

(57) **CLAIM**
 The ornamental design for a carrier for data acquisition modules, as shown and described.

DESCRIPTION

FIG. 1 is a perspective view of a carrier for data acquisition modules;
 FIG. 2 is a front view of the carrier for data acquisition modules of FIG. 1;
 FIG. 3 is a back view of the carrier for data acquisition modules of FIG. 1;
 FIG. 4 is a right view of the carrier for data acquisition modules of FIG. 1;
 FIG. 5 is a top view of the carrier for data acquisition modules of FIG. 1;
 FIG. 6 is a left view of the carrier for data acquisition modules of FIG. 1; and,
 FIG. 7 is a bottom view of the carrier for data acquisition modules of FIG. 1.
 The broken lines in the drawings depict portions of the carrier for data acquisition modules that form no part of the claimed design.

1 Claim, 4 Drawing Sheets



(56)

References Cited

U.S. PATENT DOCUMENTS

D678,083 S * 3/2013 Breuer D10/49
D712,285 S * 9/2014 Baldwin D10/40
8,885,358 B2 * 11/2014 Herkenrath H05K 7/1477
361/801
D727,765 S * 4/2015 Hoshal D10/83
D743,290 S * 11/2015 Welch D10/121
D743,815 S * 11/2015 Janu D10/46
D745,526 S * 12/2015 Takano D14/474
D751,080 S * 3/2016 Kelly D14/439
D753,110 S * 4/2016 Takano D14/358
D778,834 S * 2/2017 Holweger D13/110
D789,931 S * 6/2017 Drew D14/357
D790,375 S * 6/2017 Lenz D10/74
D811,244 S * 2/2018 Klein D10/80
D816,118 S * 4/2018 Muraki D14/496
2003/0040881 A1 * 2/2003 Steger G16H 40/40
702/123
2017/0022799 A1 * 1/2017 Perteet E21B 47/02224
2018/0048713 A1 * 2/2018 Brine G05B 19/05

* cited by examiner

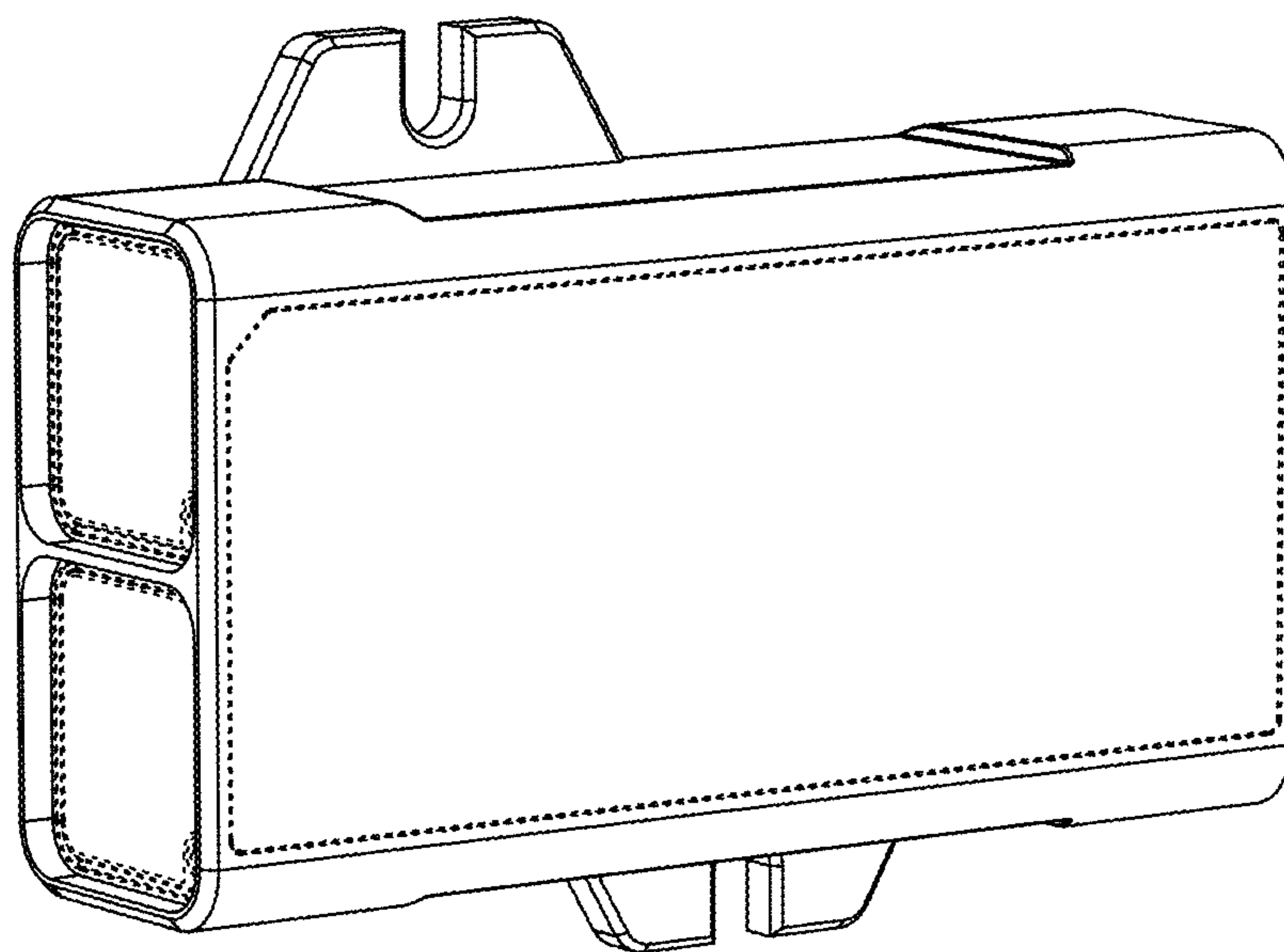


FIG. 1

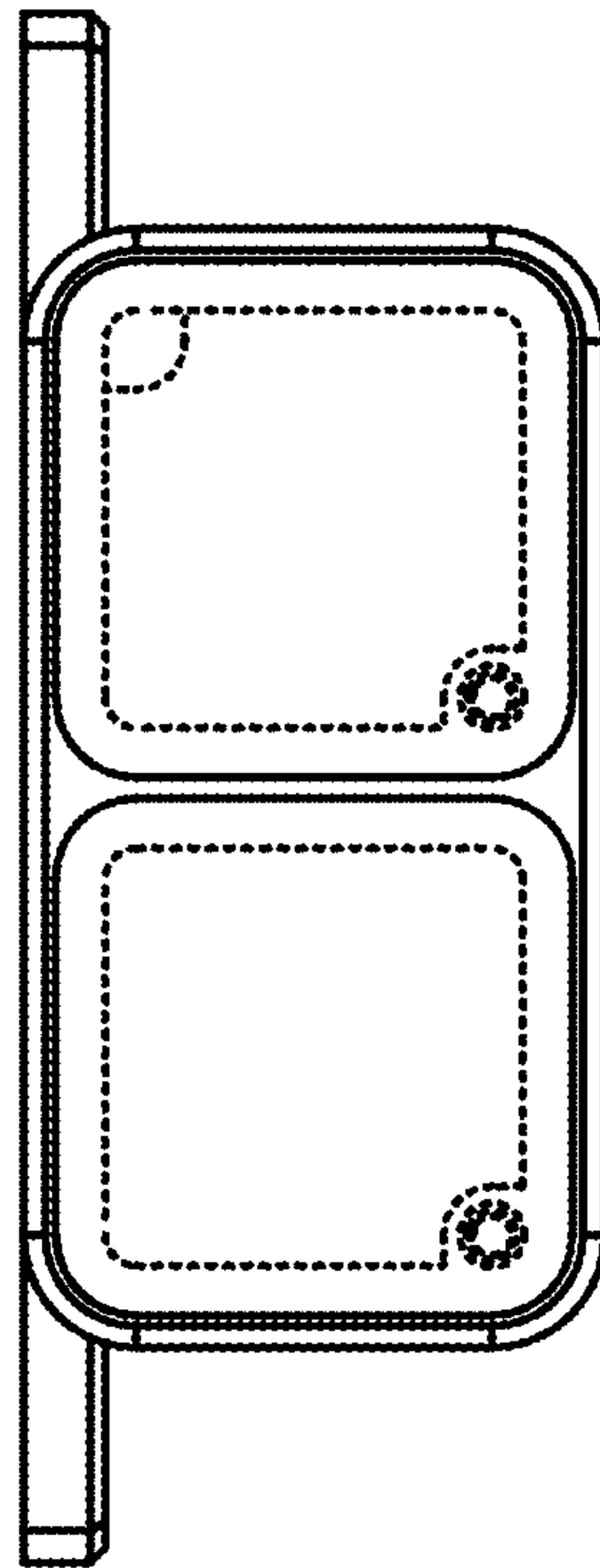


FIG. 2

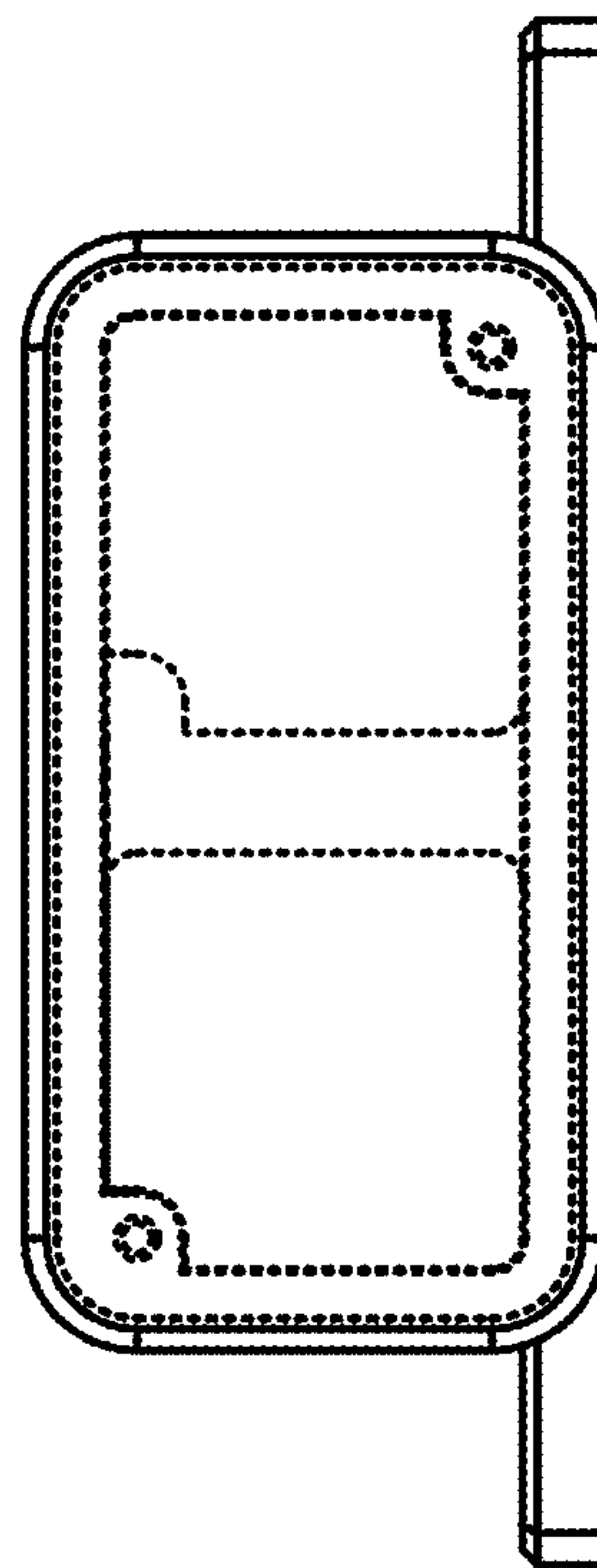


FIG. 3

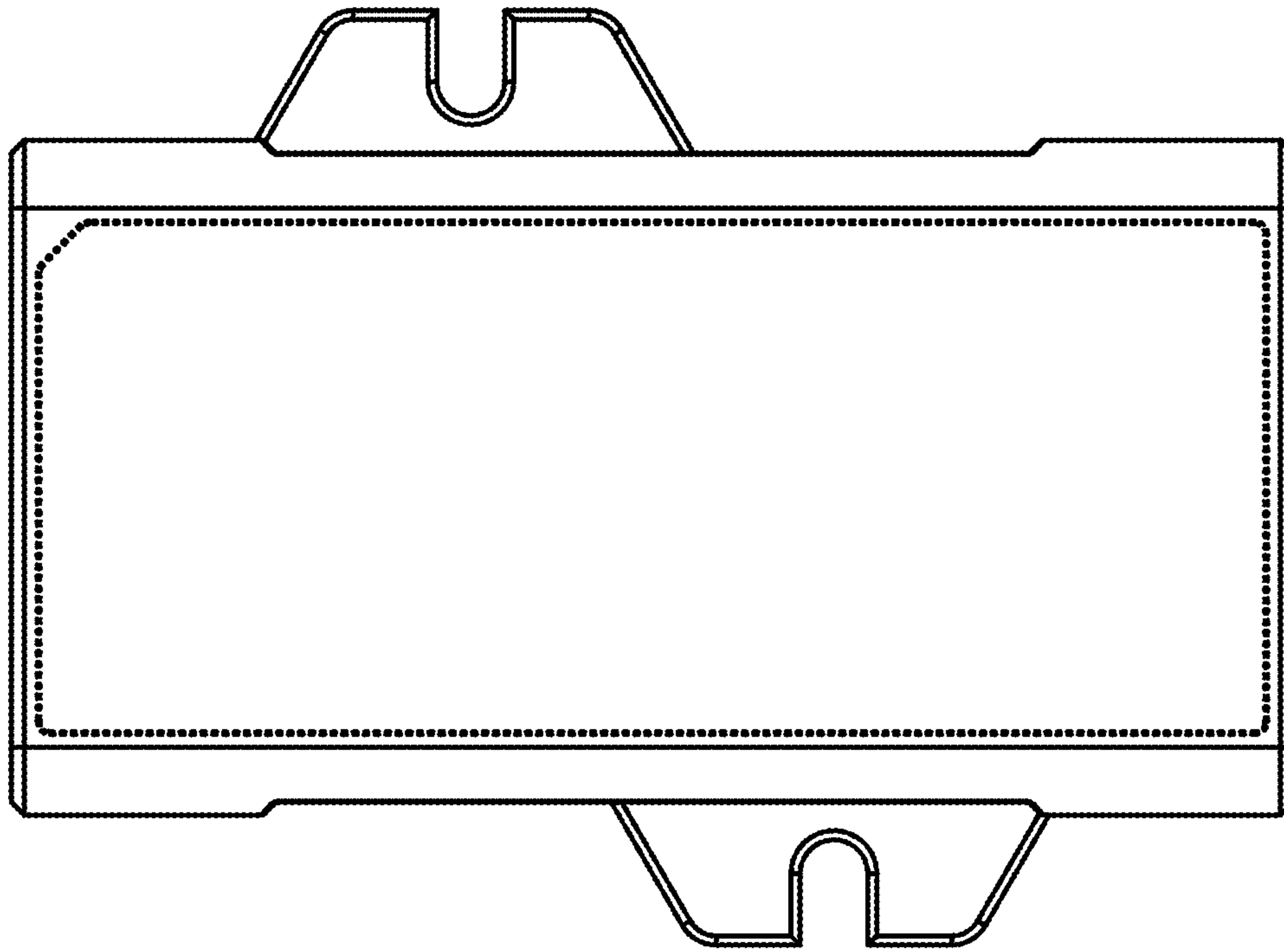


FIG. 4

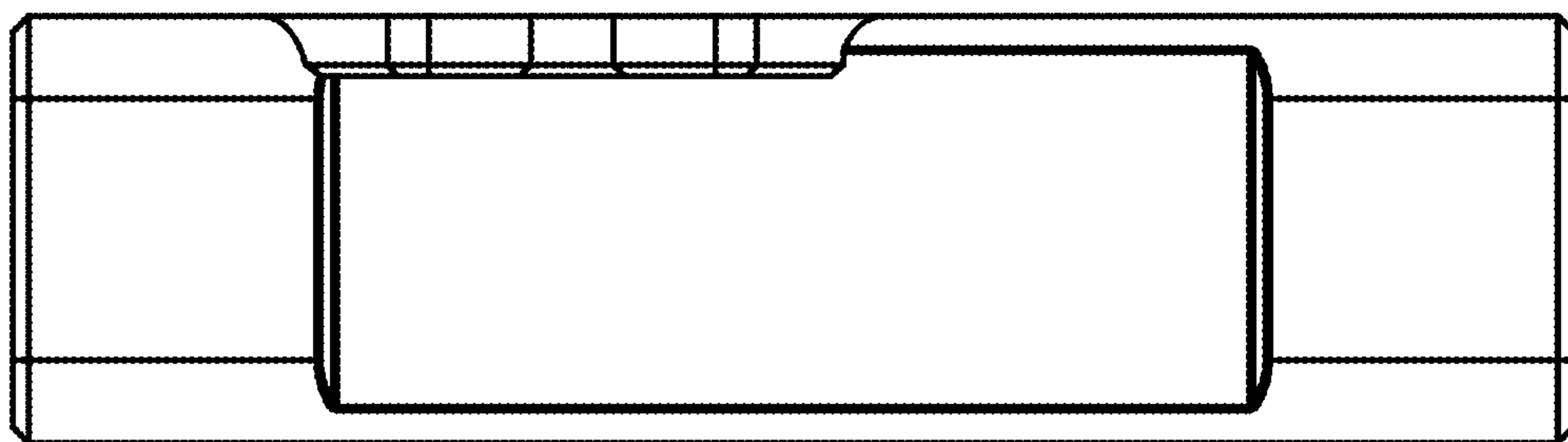


FIG. 5

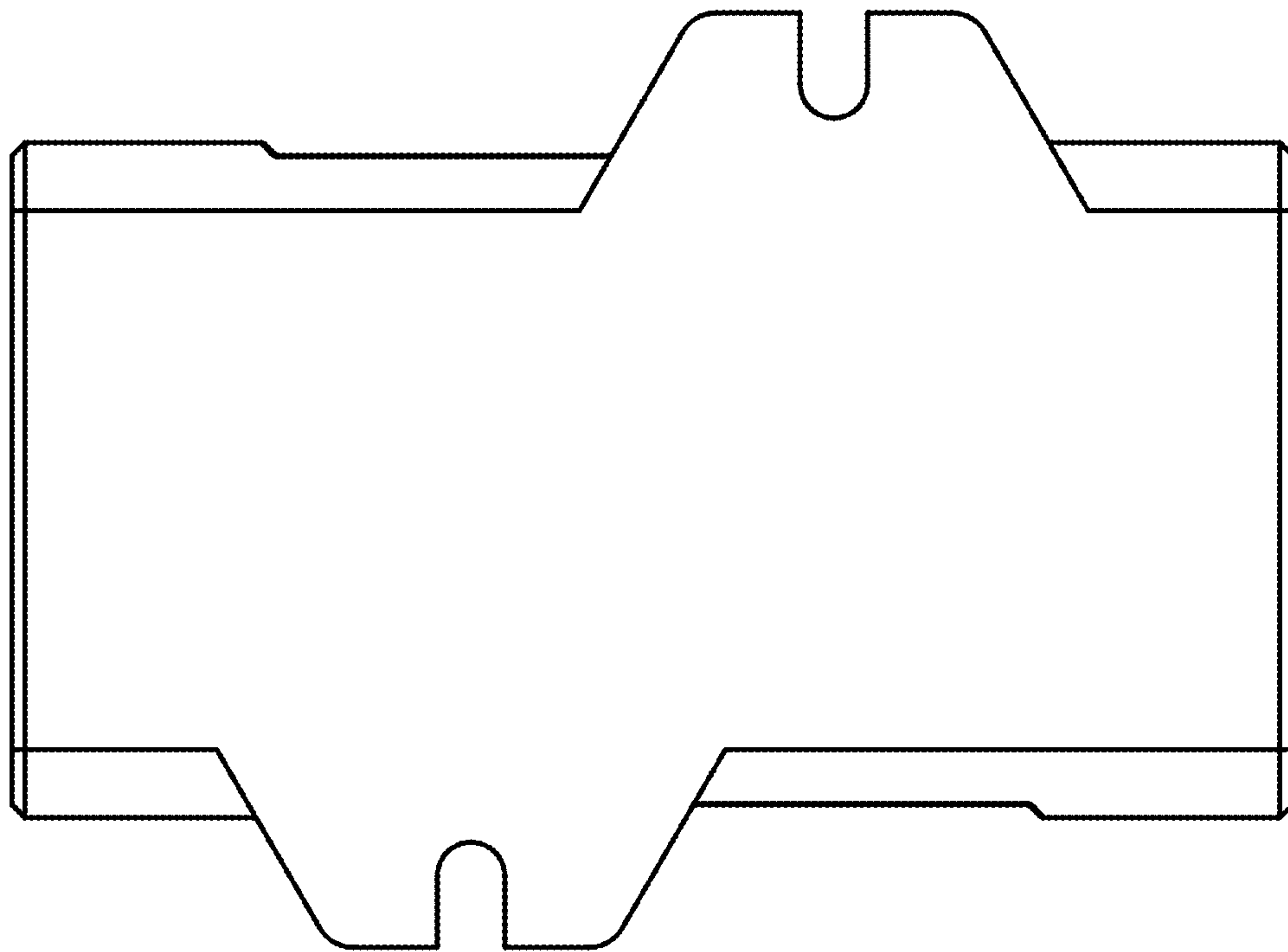


FIG. 6

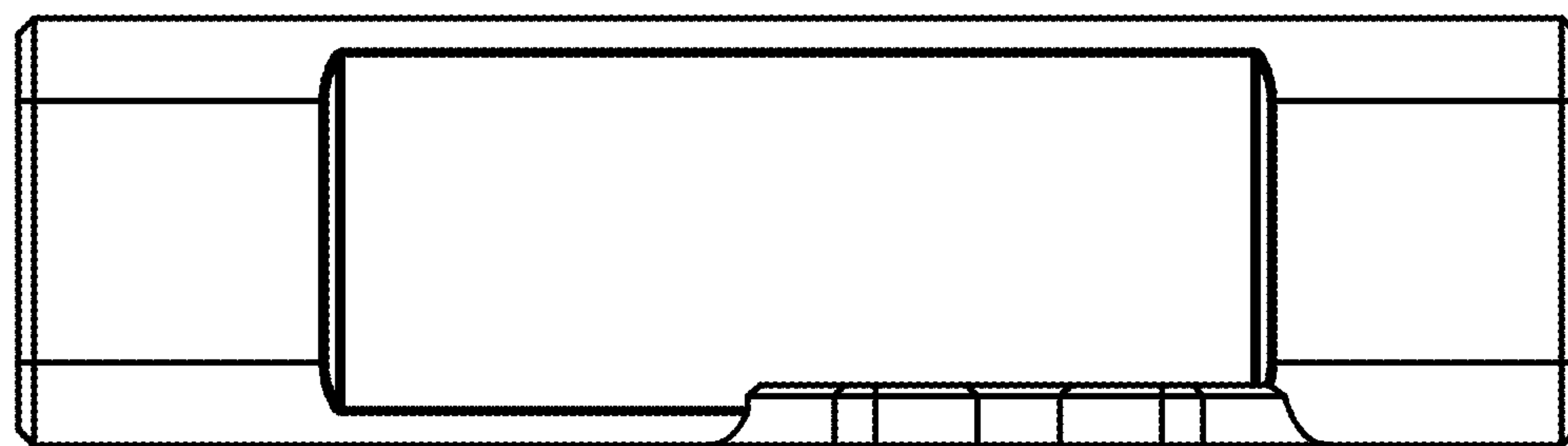


FIG. 7