



US00D844626S

(12) **United States Design Patent**
Liu et al.

(10) **Patent No.:** **US D844,626 S**
(45) **Date of Patent:** **** Apr. 2, 2019**

(54) **PRIVACY FILTER WITH MOUNTING TAPE FOR ELECTRONIC DISPLAY DEVICE**

G02B 27/0101; F16M 13/02; F16M 13/00; F16M 11/10; F16M 11/04; F16M 2200/08;

(71) Applicant: **3M INNOVATIVE PROPERTIES COMPANY**, St. Paul, MN (US)

(Continued)

(72) Inventors: **Richard Yufeng Liu**, Woodbury, MN (US); **Keith D. Keller**, St. Paul, MN (US); **Mary M. Pichotta**, Minneapolis, MN (US)

(56)

References Cited

U.S. PATENT DOCUMENTS

D298,250 S * 10/1988 Kildall D14/450
D312,385 S * 11/1990 Hamann D8/367

(Continued)

(73) Assignee: **3M INNOVATIVE PROPERTIES COMPANY**, St. Paul, MN (US)

OTHER PUBLICATIONS

(**) Term: **15 Years**

“Adhesive Backed,” A Product of 3M, [on line], [retrieved from Internet on May 11, 2018], URL <https://www.3m.com/wps/portal/en_US/3M/privacy-screen-protectors-us/support/installation-and-care/>, 2pgs.

(Continued)

(21) Appl. No.: **29/640,118**

Primary Examiner — Katie Jane Stofko

(22) Filed: **Mar. 12, 2018**

(51) **LOC (11) Cl.** **14-02**

(52) **U.S. Cl.**
USPC **D14/450**

(58) **Field of Classification Search**

(57)

CLAIM

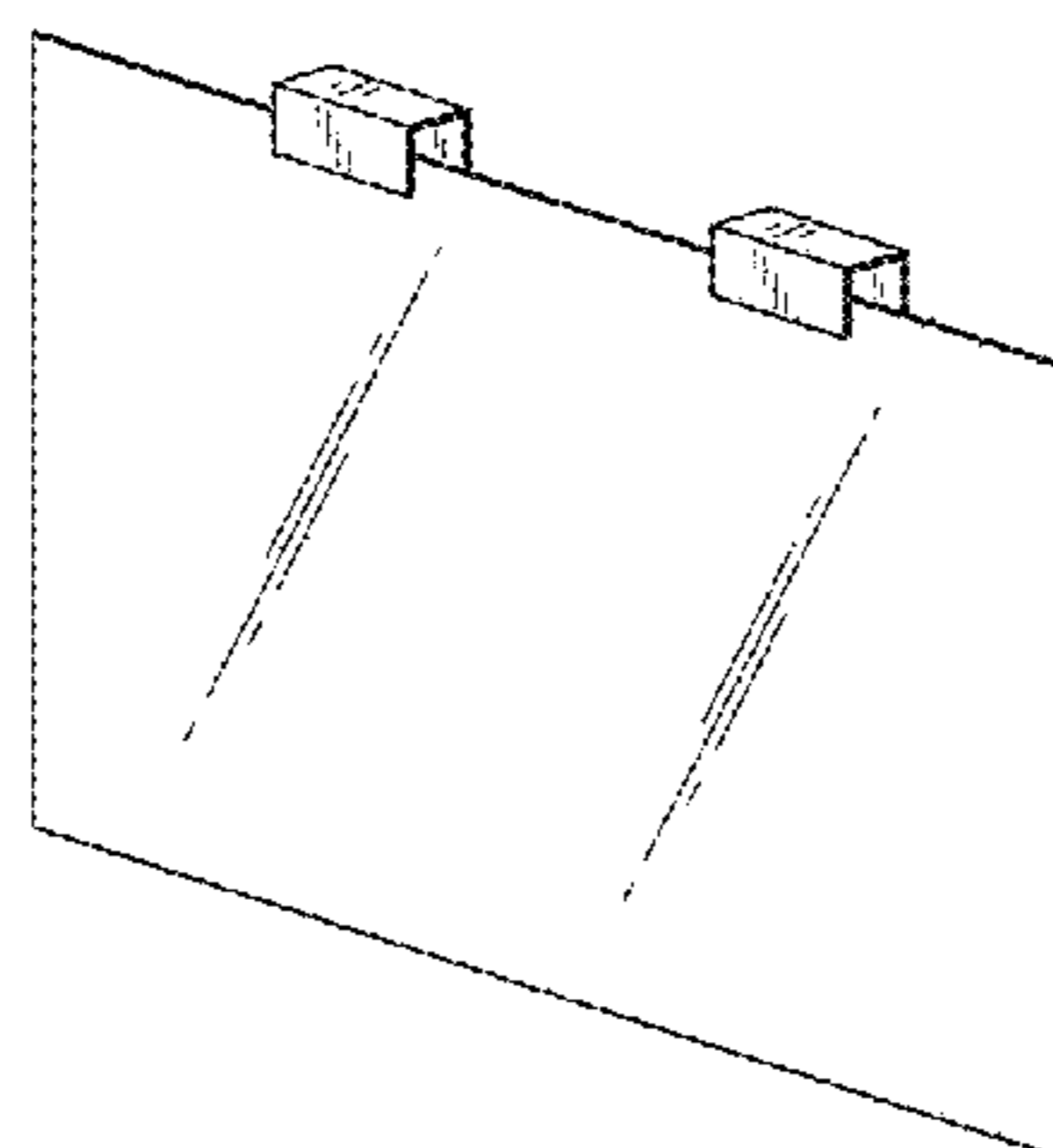
The ornamental design for a privacy filter with mounting tape for electronic display device, as shown and described.

USPC D14/371–382, 125–129, 335–337, D14/447–452, 492, 239, 457, 439–441, D14/432, 251–253; D8/349, 354, 363, D8/367, 373, 376, 380; D21/333; D12/415; D3/218; 348/180, 184, 325, 348/739, 825; 248/323, 278.1, 286.1; D6/660, 661, 671, 672, 675, 675.1–675.3, D6/682, 677.1, 678.1, 678.2, 681.2; 359/601, 609
CPC G06F 3/0412; G06F 3/016; G06F 3/0488; G06F 3/011; G06F 3/038; G06F 3/03543; G06F 3/0338; G06F 3/0202; G06F 3/0219; G06F 3/0213; G06F 1/1616; G06F 3/023; G06F 3/04883; G02F 1/13338; G02F 1/1313; G02F 1/1333; G02F 1/135; G02F 1/132; G02F 1/133308; G02F 1/134309; G02F 1/13718; G09G 3/3648; G06K 15/1252; B41J 2/465; G03F 7/70291; G02B 27/0172; G02B 5/30; G02B 2027/0118;

DESCRIPTION

FIG. 1 is a perspective view of the new design for a privacy filter with mounting tape for electronic display device; FIG. 2 is a front view thereof; FIG. 3 is a rear view thereof; FIG. 4 is a top view thereof; FIG. 5 is a bottom view thereof; FIG. 6 is a right side view thereof; FIG. 7 is a left side view thereof; and, FIG. 8 is a perspective view showing the privacy filter with mounting tape for electronic display device in an environment of use. Broken lines are used to show an electronic device that forms no part of the claimed design.

1 Claim, 3 Drawing Sheets



(58) **Field of Classification Search**

CPC F16M 11/2021; A47B 21/0314; A47B
88/044; A47B 2021/0335; H02G 3/126;
F16B 47/00; F16B 47/006; A47G 1/17;
A47K 2201/00

See application file for complete search history.

2012/0268827 A1 10/2012 Tiang et al.
2013/0050798 A1 2/2013 Kim et al.
2016/0087670 A1 3/2016 Lee
2018/0052263 A1 2/2018 Chen et al.

OTHER PUBLICATIONS

(56)

References Cited

U.S. PATENT DOCUMENTS

5,797,570 A * 8/1998 Dolan H04N 5/65
248/205.3
6,765,550 B2 7/2004 Janick et al.
6,967,635 B2 * 11/2005 Hung G06F 1/1609
345/32
7,553,034 B1 * 6/2009 Liou G06F 1/1603
359/601
D612,818 S * 3/2010 Lents, Jr. D14/125
D613,075 S * 4/2010 DeNicola D14/448
D626,129 S * 10/2010 Lutz D14/447
9,426,909 B2 * 8/2016 Choi H05K 5/0239
9,444,508 B2 9/2016 Lee
9,459,472 B2 10/2016 Kim et al.
D771,604 S * 11/2016 Stoops D14/239
D802,402 S * 11/2017 Hintze D8/367
D821,184 S * 6/2018 Berger D8/367
D830,623 S * 10/2018 Guzie D26/138
2002/0158967 A1 10/2002 Janick et al.

“Attachment Strips,” A Product of 3M, [on line], [retrieved from Internet on May 11, 2018], URL <https://www.3m.com/wps/portal/en_US/3M/privacy-screen-protectors-us/support/installation-and-care/>, 2pgs.

“Command® Strips,” A Product of 3M, [on line], [retrieved from internet on May 11, 2018], URL <https://www.3m.com/wps/portal/en_US/3M/privacy-screen-protectors-us/support/installation-and-care/>, 2pgs.

“Corner Tabs,” A Product of 3M, [on line], [retrieved from internet on May 11, 2018], URL <https://www.3m.com/wps/portal/en_US/3M/privacy-screen-protectors-us/support/installation-and-care/>, 2pgs.

“Hanger Arms,” A Product of 3M, [on line], [retrieved from internet on May 11, 2018], URL <https://www.3m.com/wps/portal/en_US/3M/privacy-screen-protectors-us/support/installation-and-care/>, 1 pg.

“Slide Mount Tabs,” A Product of 3M, [on line], [retrieved from internet on May 11, 2018], URL <https://www.3m.com/wps/portal/en_US/3M/privacy-screen-protectors-us/support/installation-and-care/>, 1 pg.

* cited by examiner

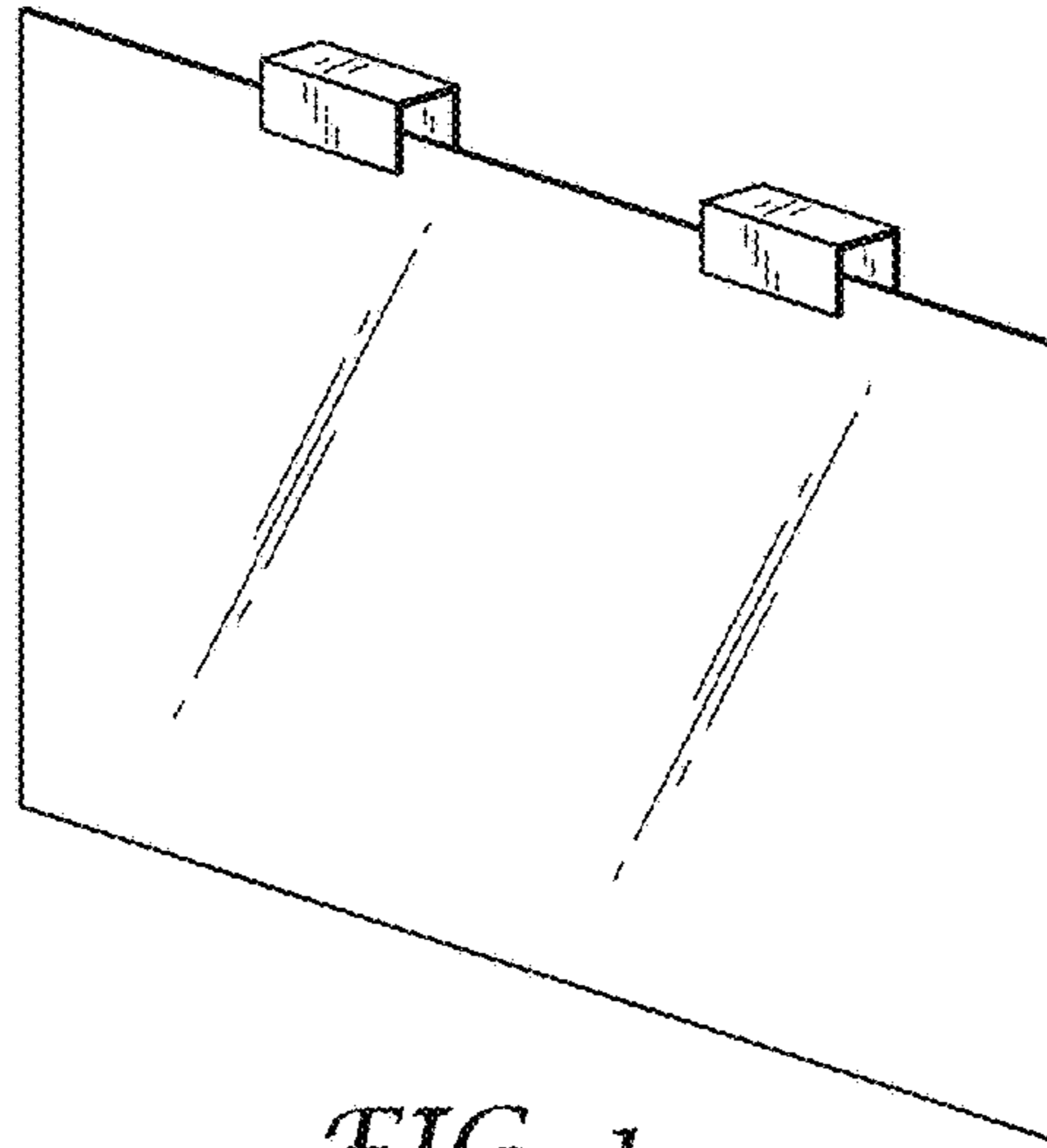


FIG. 1

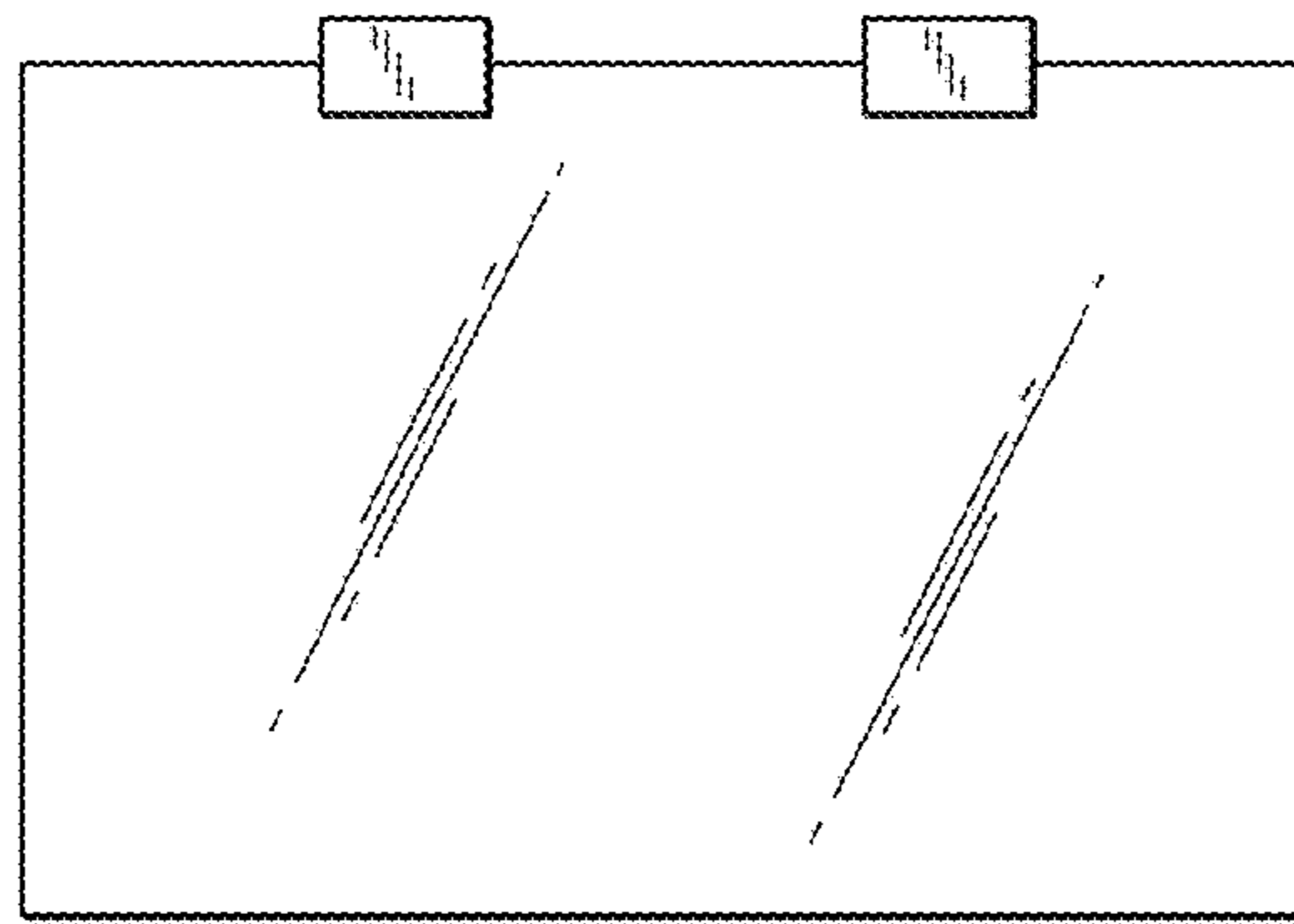


FIG. 2

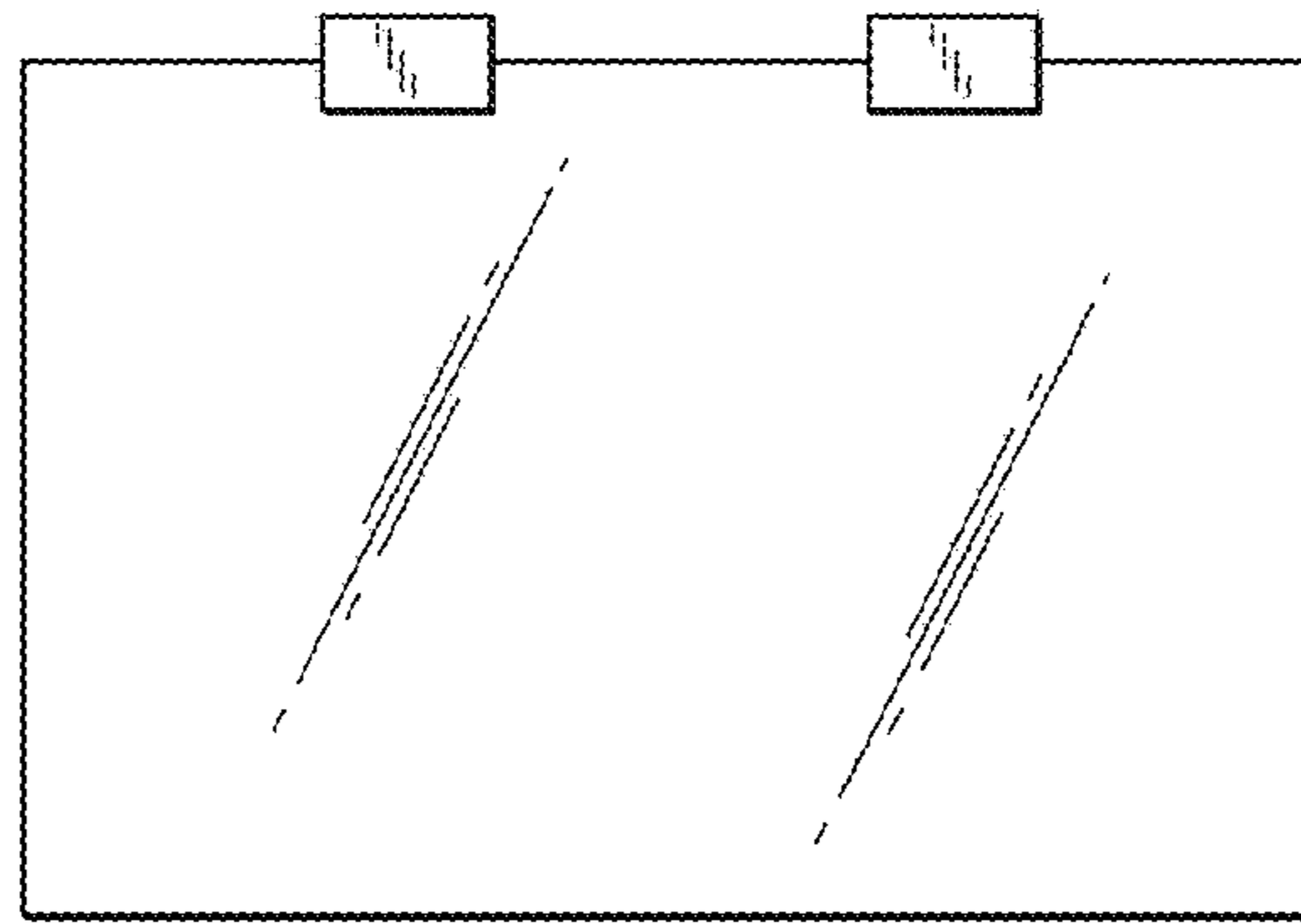


FIG. 3

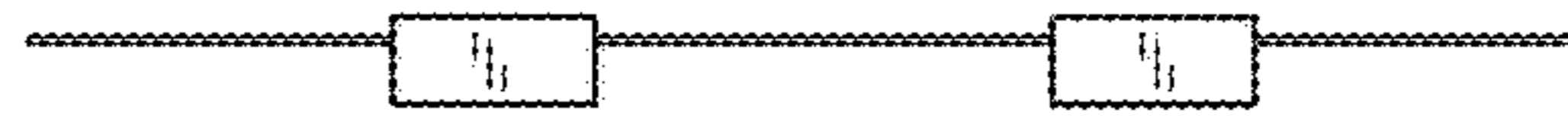


FIG. 4

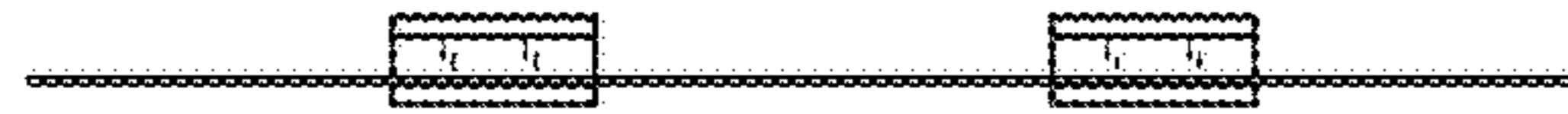


FIG. 5



FIG. 6

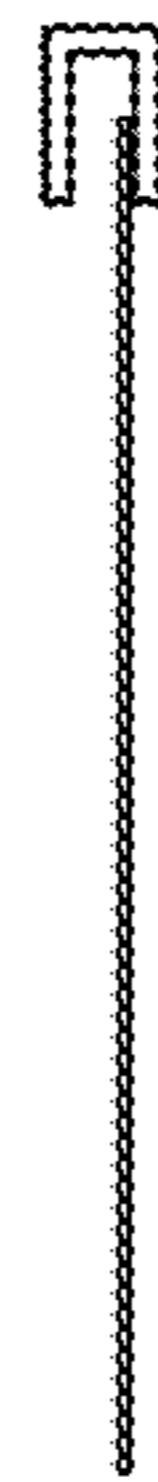


FIG. 7

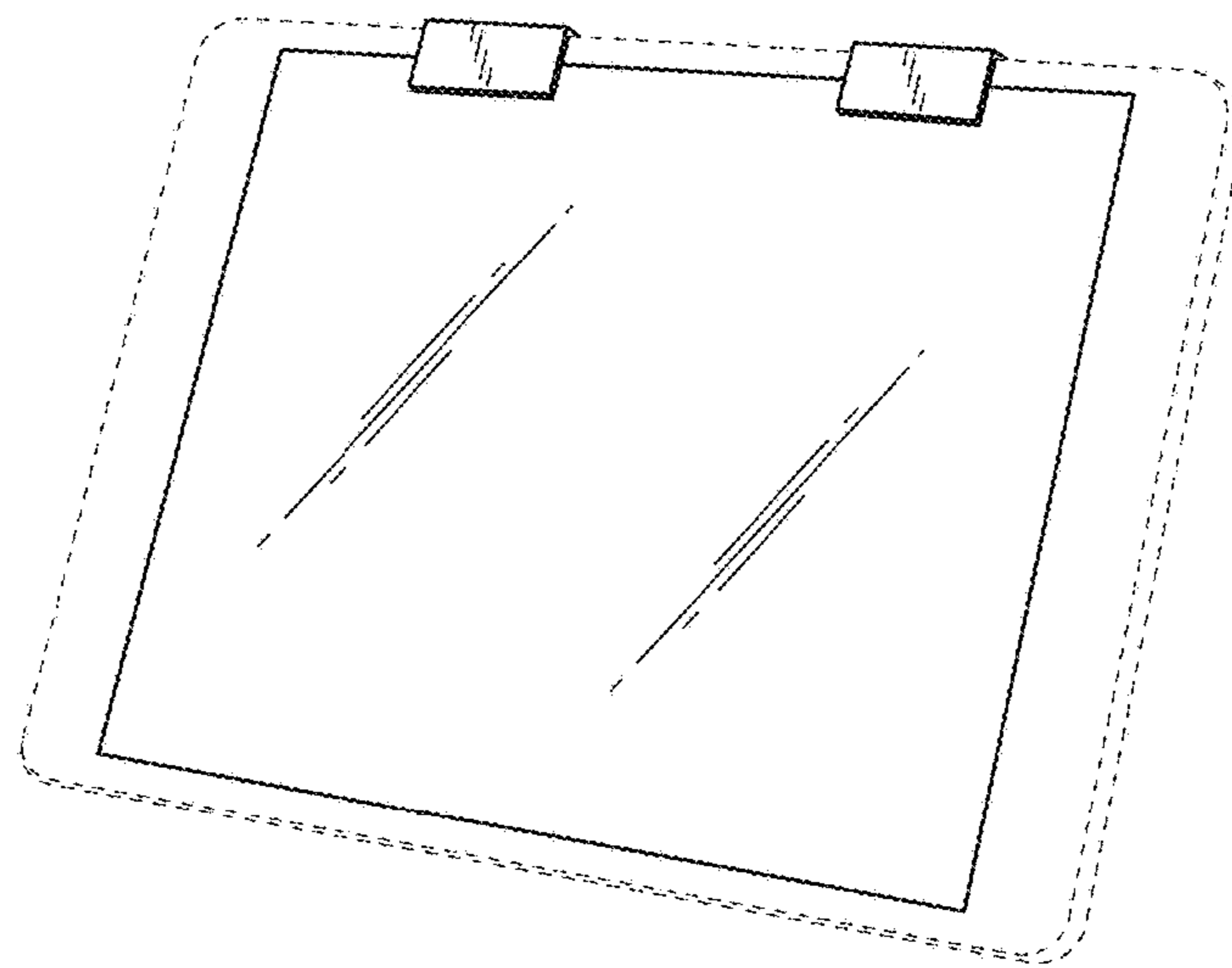


FIG. 8