



US00D844622S

(12) **United States Design Patent** (10) **Patent No.:** **US D844,622 S**  
**Collins et al.** (45) **Date of Patent:** **\*\* \*Apr. 2, 2019**

(54) **DISPLAY HOUSING CRADLE**  
(71) Applicant: **DEKA Products Limited Partnership**,  
Manchester, NH (US)  
(72) Inventors: **David E. Collins**, Merrimac, MA (US);  
**Katie A. DeLaurentis**, Manchester, NH  
(US); **Alexander D. Streeter**, Concord,  
NH (US)  
(73) Assignee: **DEKA Products Limited Partnership**,  
Manchester, NH (US)  
(\* ) Notice: This patent is subject to a terminal dis-  
claimer.  
(\*\*) Term: **15 Years**  
(21) Appl. No.: **29/604,818**  
(22) Filed: **May 20, 2017**  
(51) **LOC (11) Cl.** ..... **14-02**  
(52) **U.S. Cl.**  
USPC ..... **D14/447**; D14/457  
(58) **Field of Classification Search**  
USPC ..... D14/413, 432-434, 420, 447, 451, 453,  
D14/457, 314, 217, 218, 138 R, 140, 142,  
D14/253; D13/107, 108; D12/130-133;  
D7/601  
CPC .. H02J 7/0042; H02J 7/00; H02J 7/025; H02J  
7/0044; H02J 7/0045; H02J 7/02; H02J  
7/0027; H02J 7/0068; H01R 31/065;  
H01R 13/6675; H01M 10/44; H01M  
2/02; H01M 2/022; H01M 2/0202; F16M  
11/10; Y02E 60/12; Y02E 60/122; Y02E  
60/124; Y02T 90/14; Y02T 90/122; Y02T  
90/128; Y02T 90/163; H04M 1/04; H04M  
1/06; H04M 1/0249; G06F 1/1654; G06F  
1/1632; G06F 1/1626; G06F 1/1616;  
G06F 3/0221; F21L 4/08; F21L 4/085;  
H03M 11/00; H01H 13/14; H01H 13/84;  
H03K 17/94; B41J 5/12; B41J 5/10;  
B44D 3/02; A47B 23/043;  
(Continued)

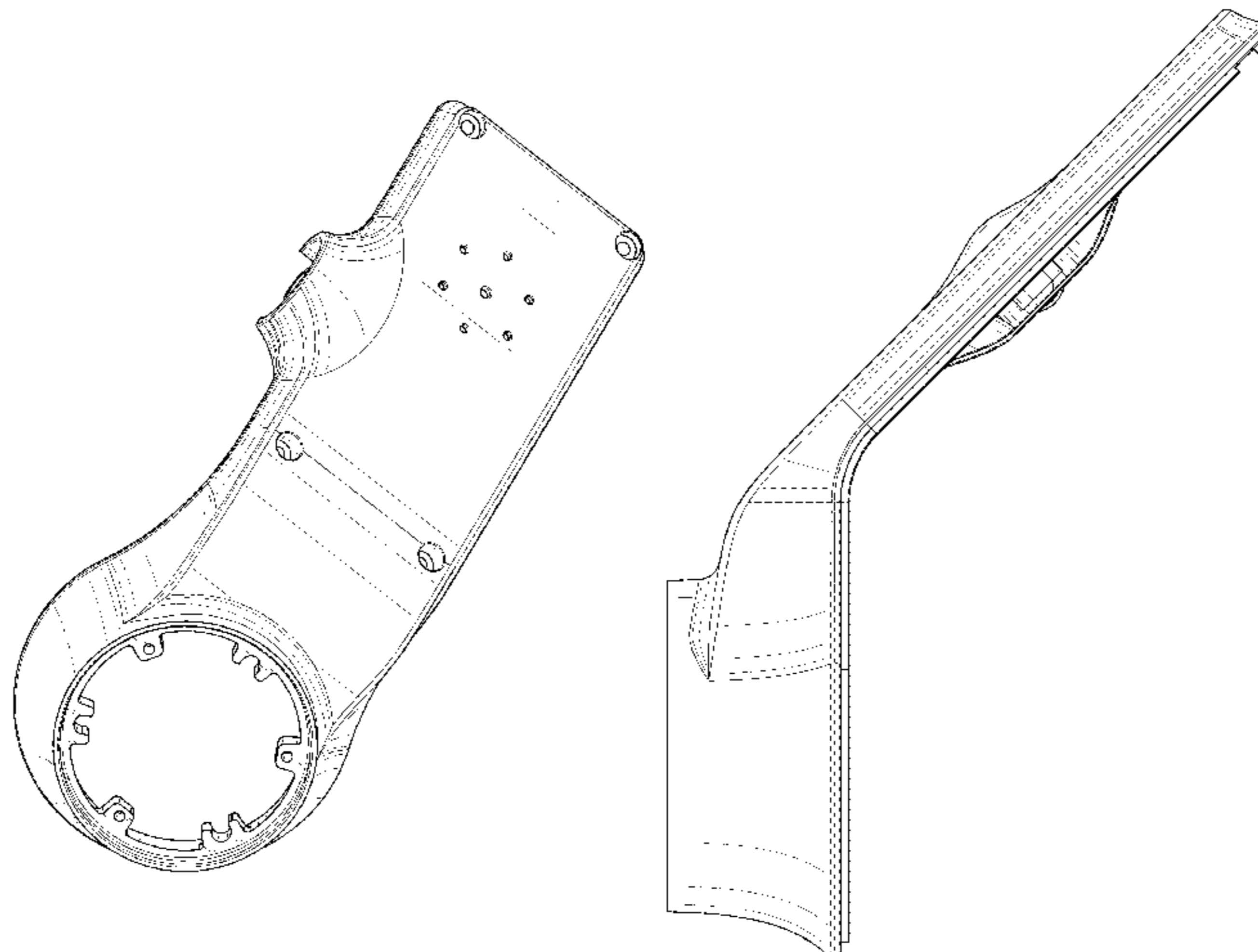
(56) **References Cited**  
U.S. PATENT DOCUMENTS  
5,276,588 A \* 1/1994 Replinger ..... H04M 1/0249  
292/300  
D373,121 S \* 8/1996 DeFulius ..... D14/457  
(Continued)  
FOREIGN PATENT DOCUMENTS  
WO WO2000023315 4/2000  
WO WO2000054719 9/2000  
(Continued)

**OTHER PUBLICATIONS**  
PCT/US2017/019214, Written Opinion of the International Search  
Authority, dated Aug. 31, 2017.  
(Continued)  
*Primary Examiner* — Freda S Nunn  
(74) *Attorney, Agent, or Firm* — Kathleen Chapman

(57) **CLAIM**  
The ornamental design of a display housing cradle, as shown  
and described.

**DESCRIPTION**  
FIG. 1 is a front, top, right side perspective view of the  
display housing cradle, showing our new design;  
FIG. 2 is a bottom plan view thereof; and  
FIG. 3 is a top plan view thereof;  
FIG. 4 is a left side elevational view thereof;  
FIG. 5 is a right side elevational view thereof;  
FIG. 6 is a front side elevational view thereof;  
FIG. 7 is a rear side elevational view thereof; and,  
FIG. 8 is a front, top, right perspective view of the display  
housing cradle, shown in its environment.  
The features shown in broken lines depict environmental  
structure only and form no part of the claimed design.

**1 Claim, 8 Drawing Sheets**



(58) **Field of Classification Search**

CPC ..... A47B 23/001; A47B 2023/049; A47B  
97/08; A47B 23/002; A47B 23/00; A47B  
23/02; A47C 7/70; B60R 11/02; B60R  
11/0241; B26B 19/3833

See application file for complete search history.

D742,795 S	11/2015	Siao	
D757,732 S *	5/2016	Galanti .....	D14/453
D807,235 S	1/2018	Collins et al.	
D807,236 S	1/2018	Collins et al.	
2003/0128840 A1 *	7/2003	Luginbill .....	B60R 11/0241 379/455
2008/0149798 A1 *	6/2008	Tinoco .....	B60R 11/02 248/346.04
2014/0083225 A1	3/2014	Downs et al.	
2017/0240169 A1	8/2017	Coulter et al.	
2017/0259811 A1	9/2017	Coulter et al.	
2017/0300058 A1	10/2017	Peret et al.	
2018/0056985 A1	3/2018	Coulter et al.	

(56) **References Cited**

U.S. PATENT DOCUMENTS

D376,585 S *	12/1996	Wathen .....	D14/434
5,799,914 A *	9/1998	Chivallier .....	B60R 11/0241 224/929
6,208,734 B1 *	3/2001	Ortscheid .....	B60R 11/0241 379/446
6,212,276 B1 *	4/2001	Inoue .....	H04M 1/06 379/424
6,397,046 B1 *	5/2002	Kfoury .....	B60R 11/0241 248/176.1
D466,122 S *	11/2002	Moody .....	D14/434
D466,516 S *	12/2002	Peiker .....	D14/434
6,647,248 B1 *	11/2003	Ortscheid .....	B60R 11/0241 224/255
D493,801 S *	8/2004	Byun .....	D14/434
D503,928 S	4/2005	Obata	
6,938,923 B2	9/2005	Mulhern	
D517,086 S *	3/2006	Siebel .....	D14/453
D524,315 S *	7/2006	Reusing .....	D14/434
7,102,328 B2 *	9/2006	Long .....	B26B 19/3833 320/115
D544,486 S *	6/2007	Hussaini .....	D14/434
D552,609 S	10/2007	Kornblum	
D632,229 S	2/2011	Kruse	
8,753,208 B2	6/2014	Jaouen	
D716,818 S *	11/2014	Alegiani .....	D14/453
D723,558 S	3/2015	Downs	

FOREIGN PATENT DOCUMENTS

WO	WO2001002920	1/2010
WO	WO2017147347	8/2017
WO	WO2017180868	10/2017
WO	WO2017201513	11/2017

OTHER PUBLICATIONS

PCT/US2017/027410, Written Opinion of the International Search Authority, dated Dec. 4, 2017.  
PCT/US2017/033705, Written Opinion of the International Search Authority, dated Nov. 23, 2017.  
U.S. Appl. No. 29/604,817, filed May, 20, 2017, Collins et al.  
U.S. Appl. No. 29/604,818, filed May 20, 2017, Collins et al.  
U.S. Appl. No. 29/604,819, filed May 20, 2017, Collins et al.  
U.S. Appl. No. 15/600,703, filed May 20, 2017, Coulter et al.  
U.S. App. No. 15/441,190, filed Feb. 23, 2017, Coulter et al.  
U.S. Appl. No. 15/486,980, filed Apr. 13, 2017, Peret et al.  
U.S. Appl. No. 15/787,613, filed Apr. 13, 2017, Coulter et al.

\* cited by examiner

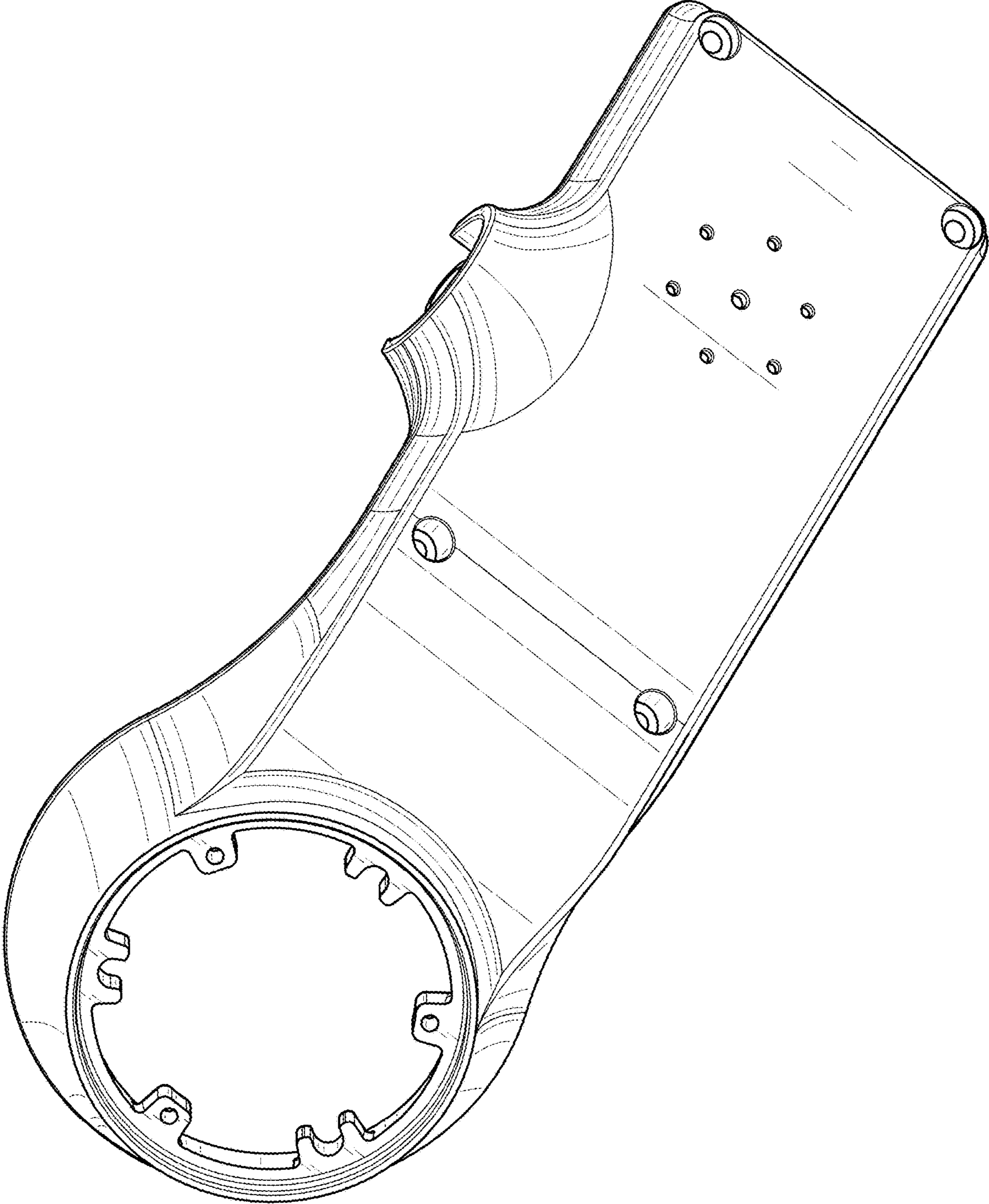


FIG. 1

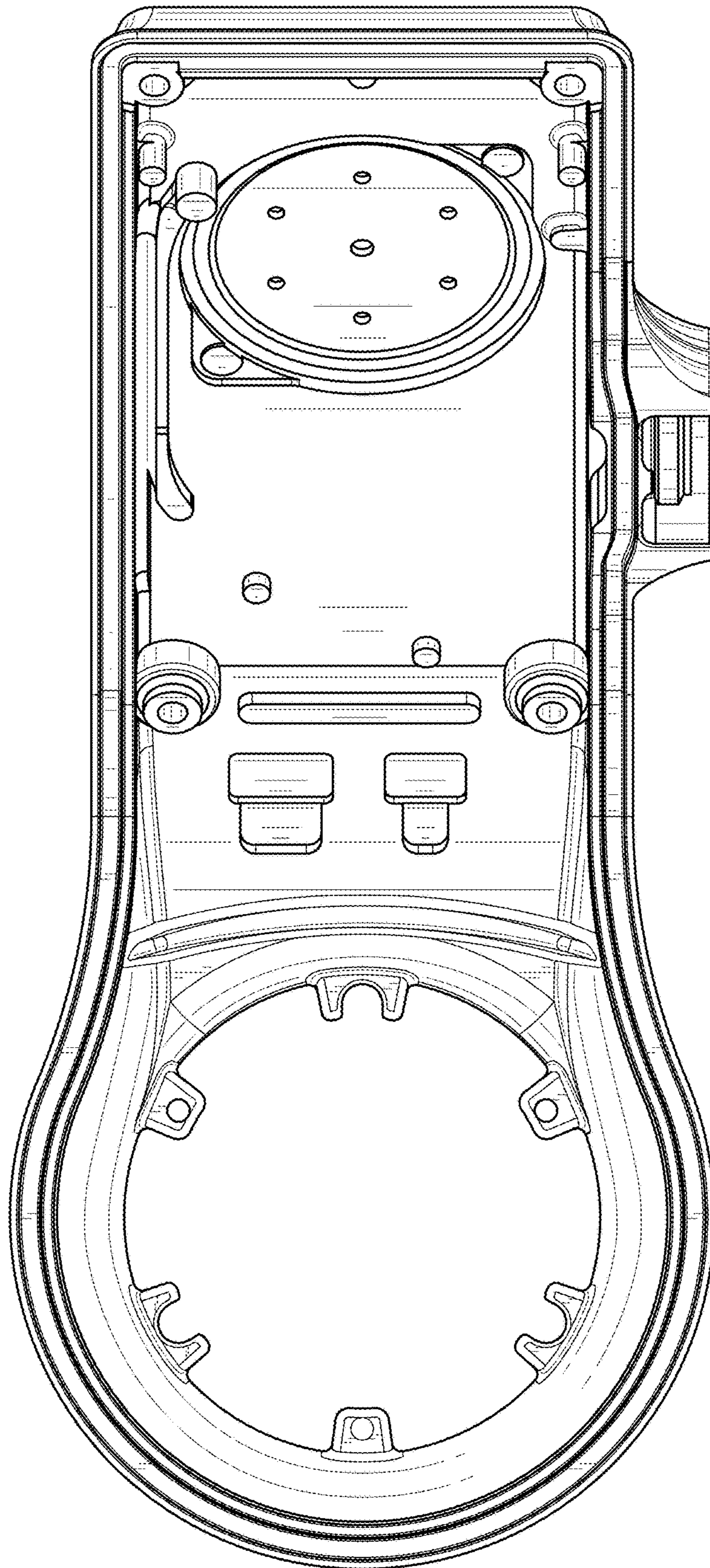


FIG. 2

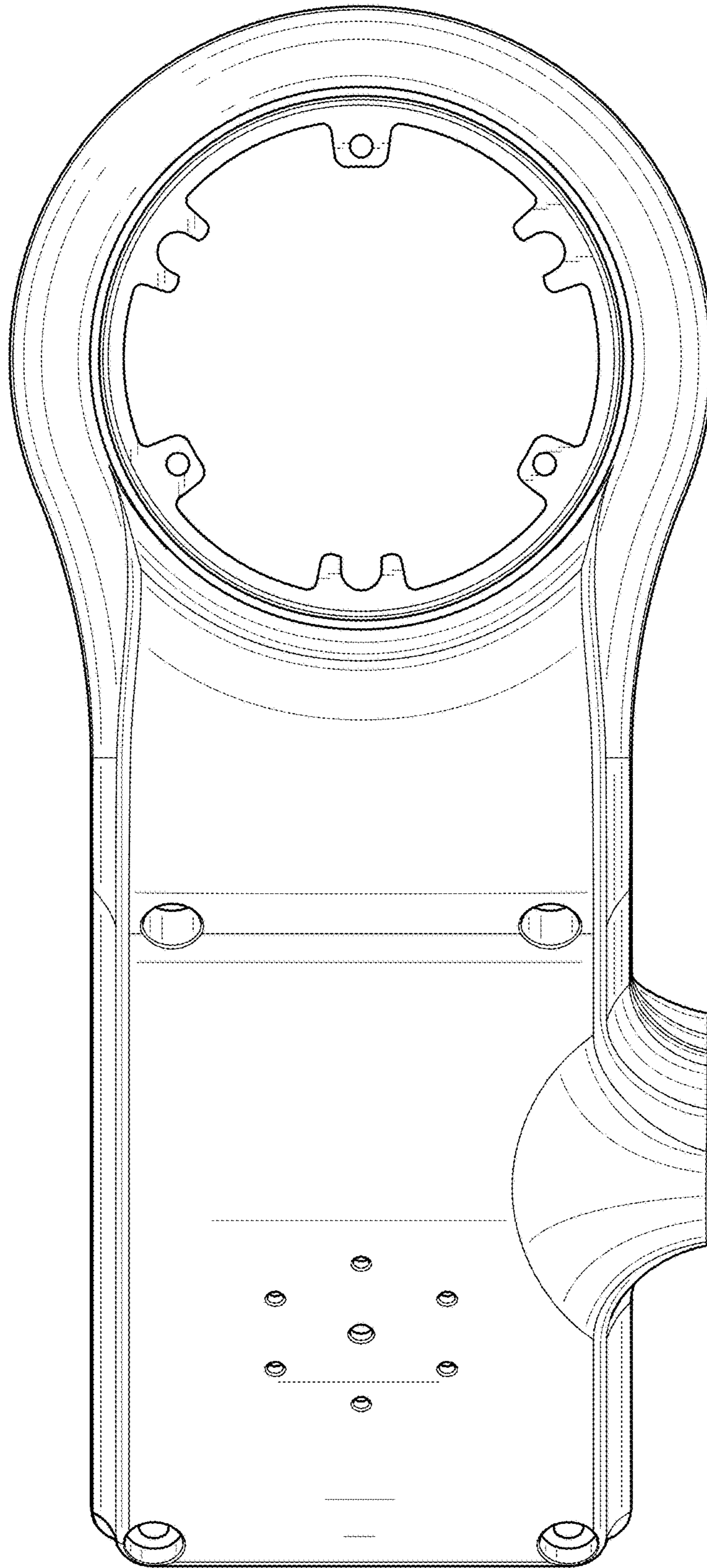


FIG. 3

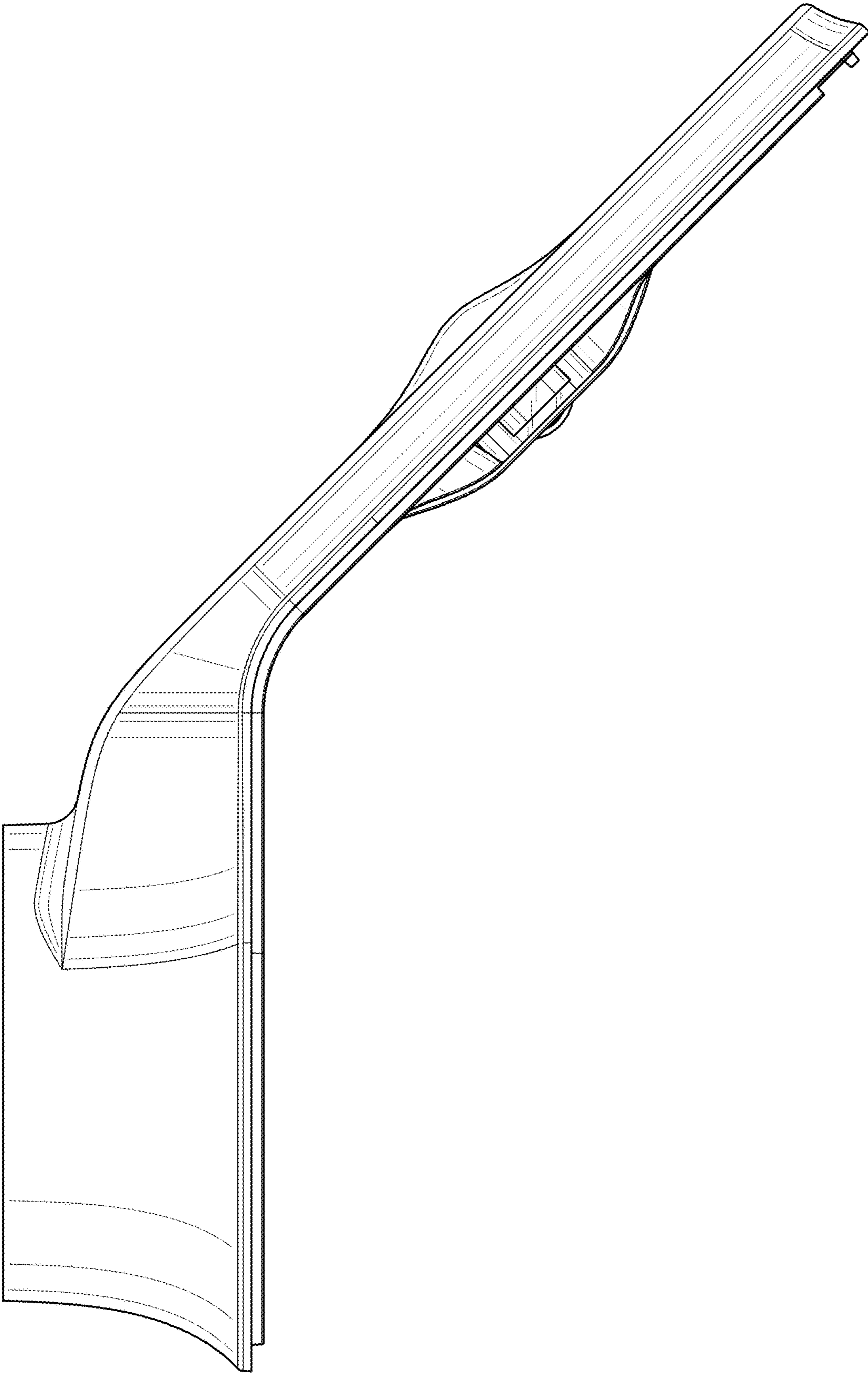


FIG. 4

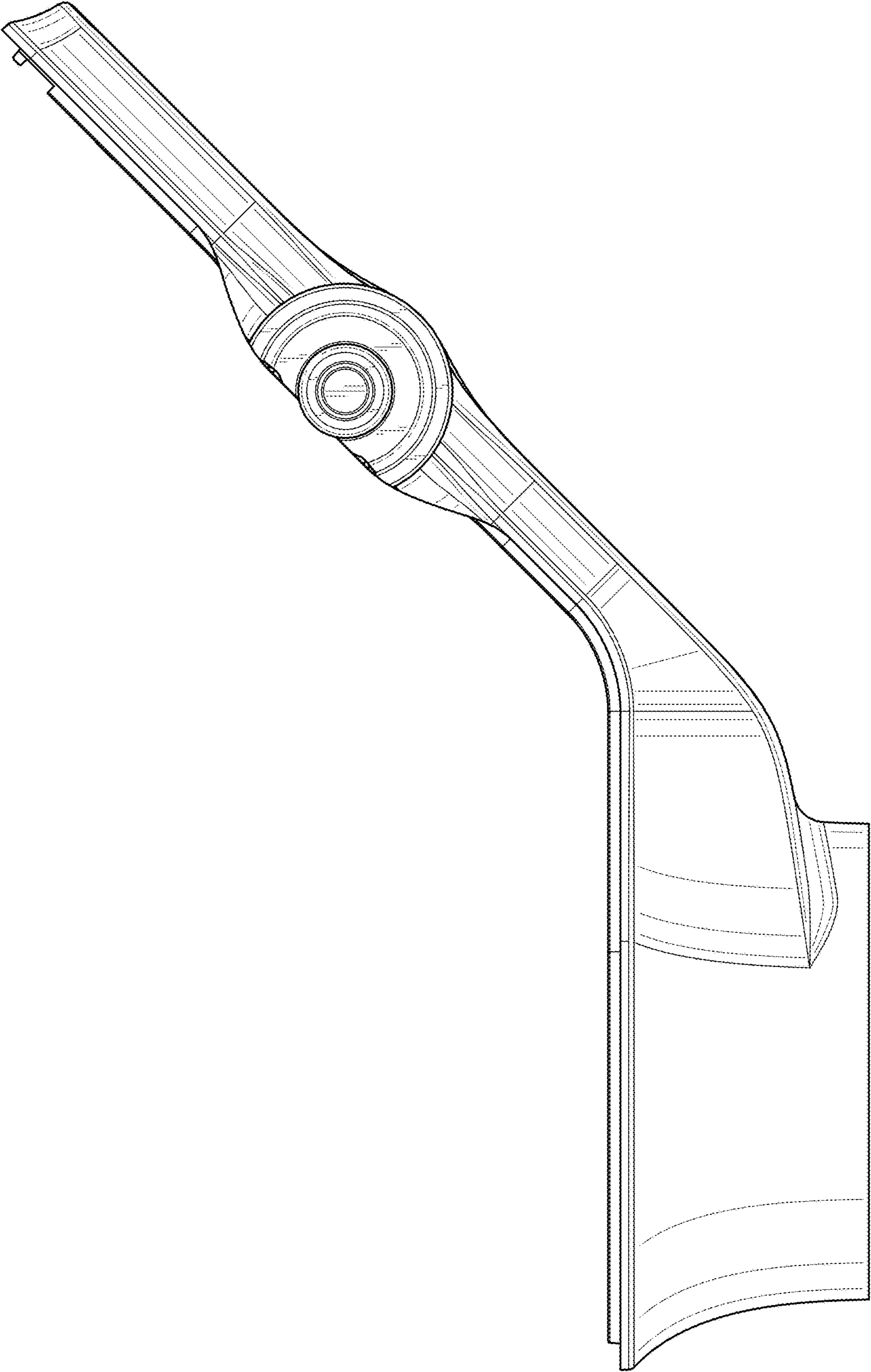


FIG. 5

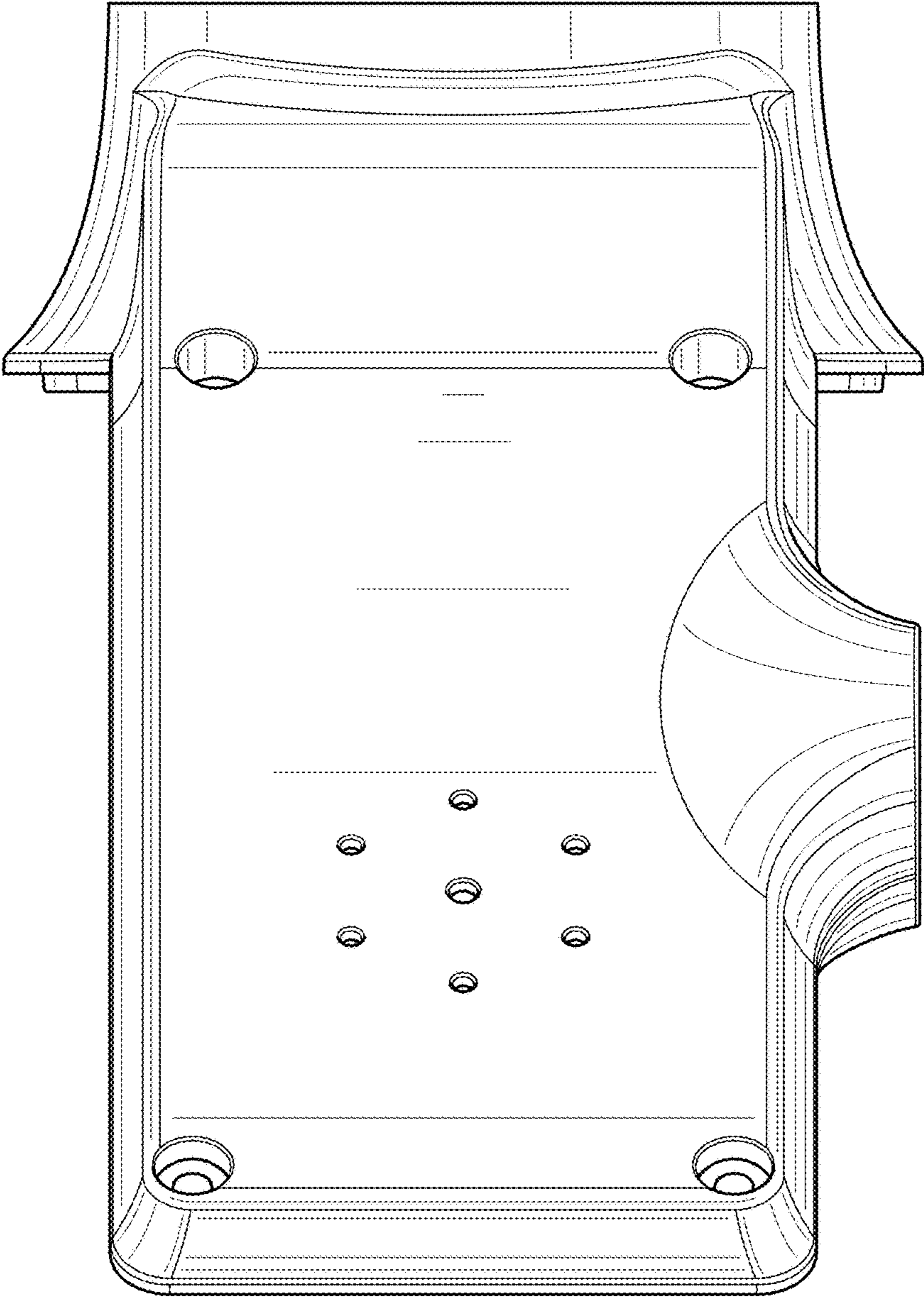


FIG. 6



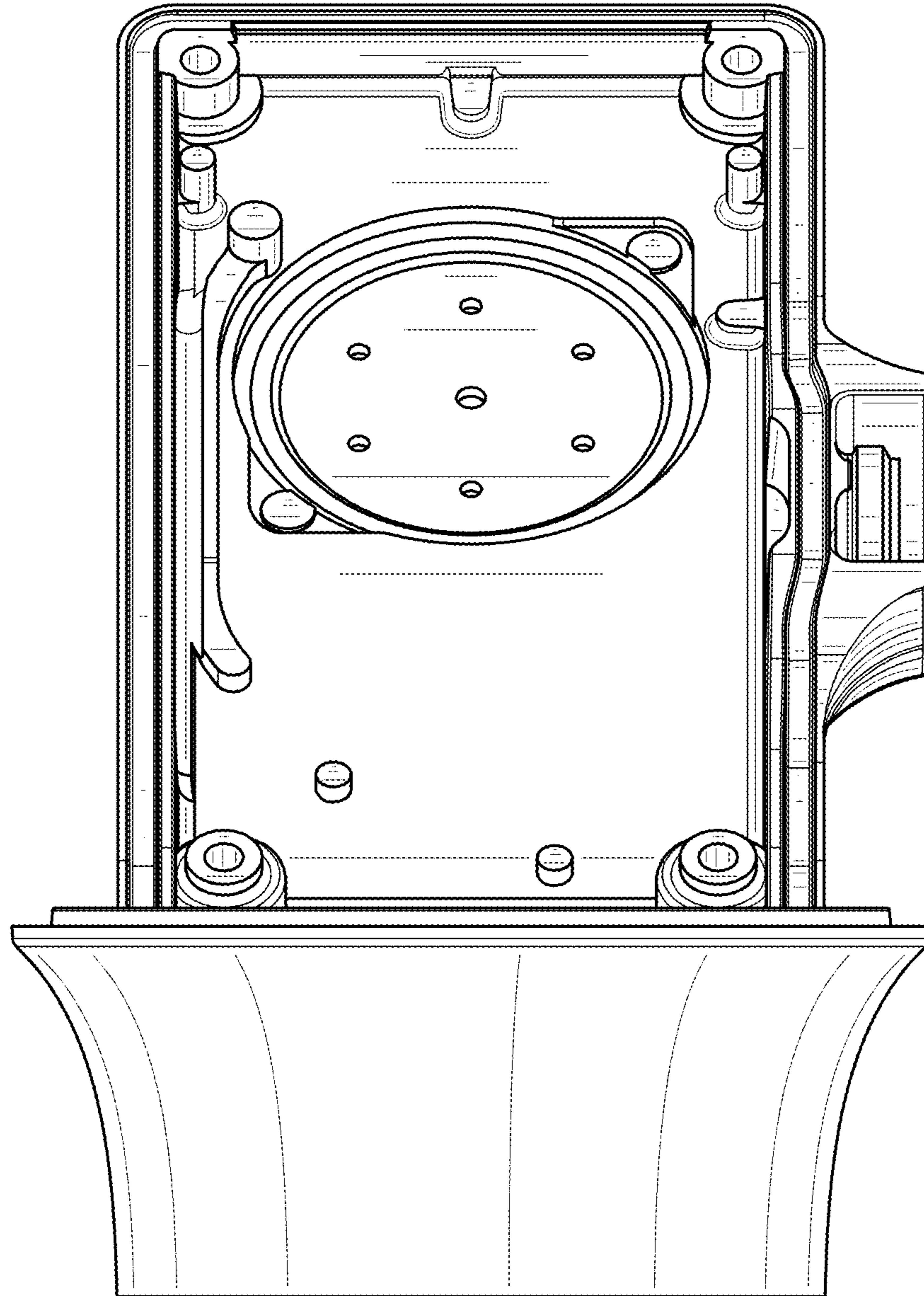


FIG. 7

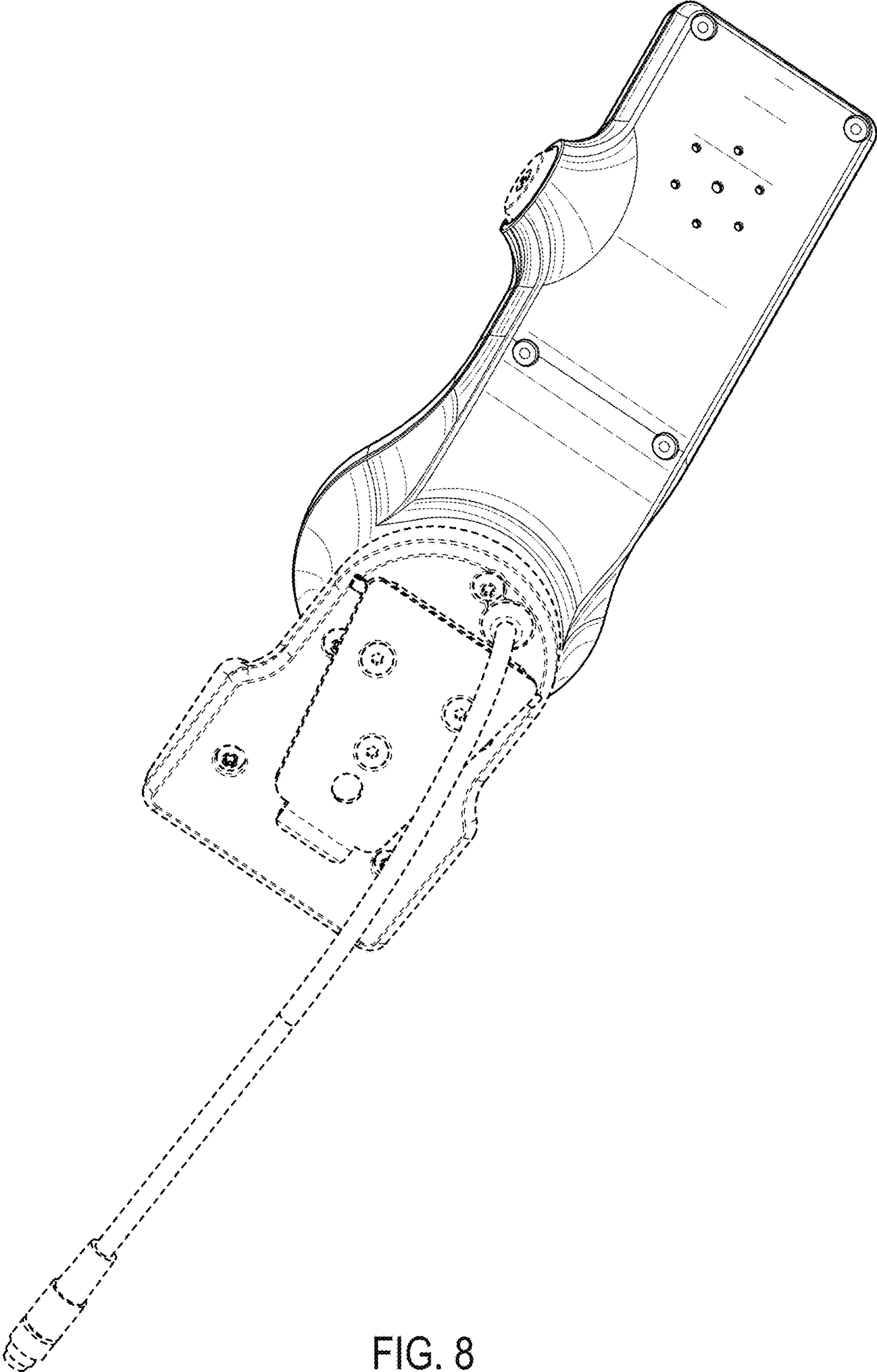


FIG. 8