



US00D844619S

(12) **United States Design Patent** (10) **Patent No.:** **US D844,619 S**  
**Wendling et al.** (45) **Date of Patent:** **\*\* Apr. 2, 2019**

(54) **DOCKING STATION**  
 (71) Applicant: **Crestron Electronics, Inc.**, Rockleigh, NJ (US)  
 (72) Inventors: **Byron Wendling**, Nyack, NY (US);  
**Wayne Owens**, Pearl River, NY (US);  
**André Poulheim**, Frechen (DE)  
 (73) Assignee: **Crestron Electronics, Inc.**, Rockleigh, NJ (US)  
 (\*\*) Term: **15 Years**

D528,979 S \* 9/2006 Franck ..... D13/108  
 D532,005 S \* 11/2006 Leith ..... D14/253  
 D551,658 S \* 9/2007 Hussaini ..... D14/217  
 D554,107 S \* 10/2007 Calco ..... D14/217  
 D558,739 S \* 1/2008 Andre ..... D14/217  
 D558,749 S \* 1/2008 Furuno ..... D13/107  
 D580,855 S \* 11/2008 Haspil ..... D13/108  
 D582,887 S \* 12/2008 Poandl ..... D14/217  
 D589,876 S \* 4/2009 Hong ..... D13/108  
 D590,770 S \* 4/2009 Moss ..... D13/108  
 D592,187 S \* 5/2009 Ledbetter ..... D14/217  
 D597,081 S \* 7/2009 Andre ..... D14/217  
 D599,784 S \* 9/2009 Hansen ..... D14/217  
 D605,113 S \* 12/2009 Maier ..... D13/108

(Continued)

(21) Appl. No.: **29/617,508**  
 (22) Filed: **Sep. 14, 2017**  
 (51) **LOC (11) Cl.** ..... **14-02**  
 (52) **U.S. Cl.**  
 USPC ..... **D14/434**; D14/217  
 (58) **Field of Classification Search**  
 USPC ..... D14/434, 432, 433, 440, 447, 251-253,  
 D14/451, 452, 454, 140, 142, 149, 217,  
 D14/240, 299, 496, 356, 357, 358, 209.1,  
 D14/171, 218; D13/103, 107, 108, 118,  
 D13/119, 110, 123, 184; D21/333;  
 D6/512, 672, 682  
 CPC .... G06F 1/1616; G06F 1/1626; G06F 1/1632;  
 G06F 1/1688; G06F 13/00; H01M 10/44;  
 F16M 11/10; F16M 11/20; H02J 7/0042;  
 H02J 7/00; H02J 7/0027; H02J 7/0044;  
 H02J 7/0045; H02J 7/355; H01R 31/065;  
 H04R 1/025; H04R 5/04  
 See application file for complete search history.

(56) **References Cited**

**U.S. PATENT DOCUMENTS**

D327,060 S \* 6/1992 Wachob ..... D14/147  
 D328,277 S \* 7/1992 Leman ..... D13/108  
 D445,399 S \* 7/2001 Kolinen ..... D13/107  
 D495,336 S \* 8/2004 Andre ..... D14/434  
 D508,482 S \* 8/2005 Pardo ..... D14/218

**OTHER PUBLICATIONS**

Telecommunication\_Network Terminals\_Routers. (Design -© Questel) orbit.com.[online PDF] 41 pgs. Print Dates range Nov. 24, 2010 through Apr. 5, 2018 [Retrieved on Sep. 10, 2018] https://sobjprd.questel.fr/export/QPTUJ214/pdf2/f6cc1073-b6fa-43e0-8504-9500d43d0626-165446.pdf.\*

*Primary Examiner* — Marie D. Fast Horse  
 (74) *Attorney, Agent, or Firm* — Crestron Electronics, Inc

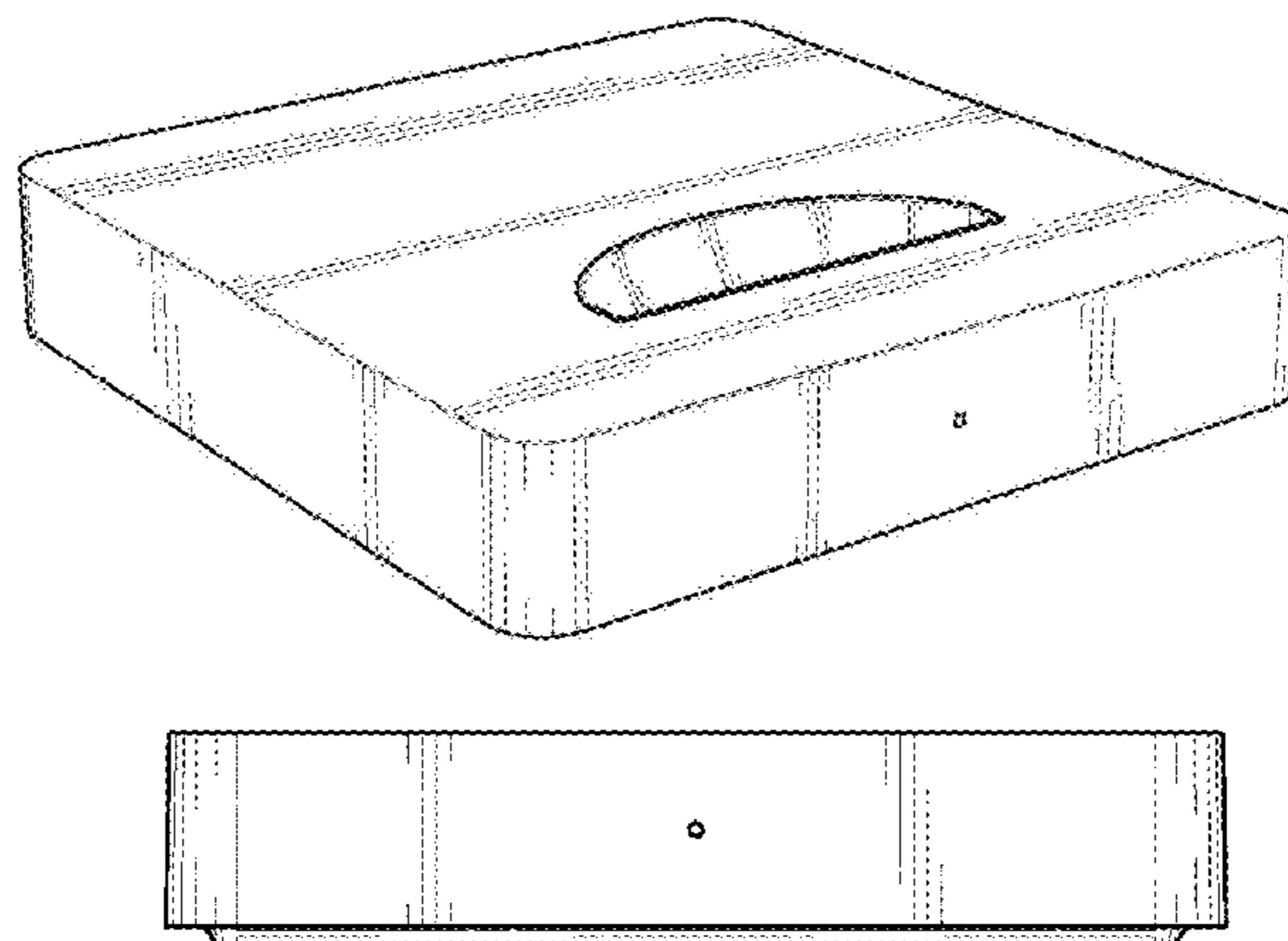
(57) **CLAIM**

The ornamental design for a docking station, as shown and described.

**DESCRIPTION**

FIG. 1 is a front perspective view of a docking station showing a new design thereof;  
 FIG. 2 shows a top plan view thereof;  
 FIG. 3 shows a right elevation view thereof;  
 FIG. 4 shows a left elevation view thereof;  
 FIG. 5 shows a front elevation view thereof;  
 FIG. 6 shows a rear elevation view thereof; and,  
 FIG. 7 shows a bottom plan view thereof.  
 The broken lines in FIG. 6 depict portions of the docking station that form no part of the claimed design.

**1 Claim, 4 Drawing Sheets**



(56)

**References Cited**

U.S. PATENT DOCUMENTS

D605,178	S	*	12/2009	Maier	.....	D14/218
D635,118	S	*	3/2011	Nakajima	.....	D14/149
D643,398	S	*	8/2011	Zakarias	.....	D14/148
D648,707	S	*	11/2011	Akana	.....	D14/217
D657,362	S	*	4/2012	Lister	.....	D14/434
D660,794	S	*	5/2012	Fahrendorff	.....	D13/108
D662,471	S	*	6/2012	Fahrendorff	.....	D13/108
D662,491	S		6/2012	Andre et al.		
D669,460	S	*	10/2012	Wikel	.....	D14/253
D672,355	S	*	12/2012	Lee	.....	D14/447
D676,017	S	*	2/2013	Chou	.....	D14/149
D682,246	S	*	5/2013	Boqueho	.....	D14/142
D685,392	S	*	7/2013	Chamness	.....	D14/496
D687,377	S	*	8/2013	Huang	.....	D13/108
D709,445	S	*	7/2014	Yeh	.....	D13/107
D714,754	S	*	10/2014	Moriyama	.....	D14/149
D726,690	S	*	4/2015	Andre	.....	D14/217
D732,501	S	*	6/2015	Isaacs	.....	D14/142
D751,525	S	*	3/2016	Lewis	.....	D14/148
D784,343	S	*	4/2017	Chen	.....	D14/434
2007/0217145	A1	*	9/2007	Sung	.....	G06F 1/1632 361/679.41

\* cited by examiner

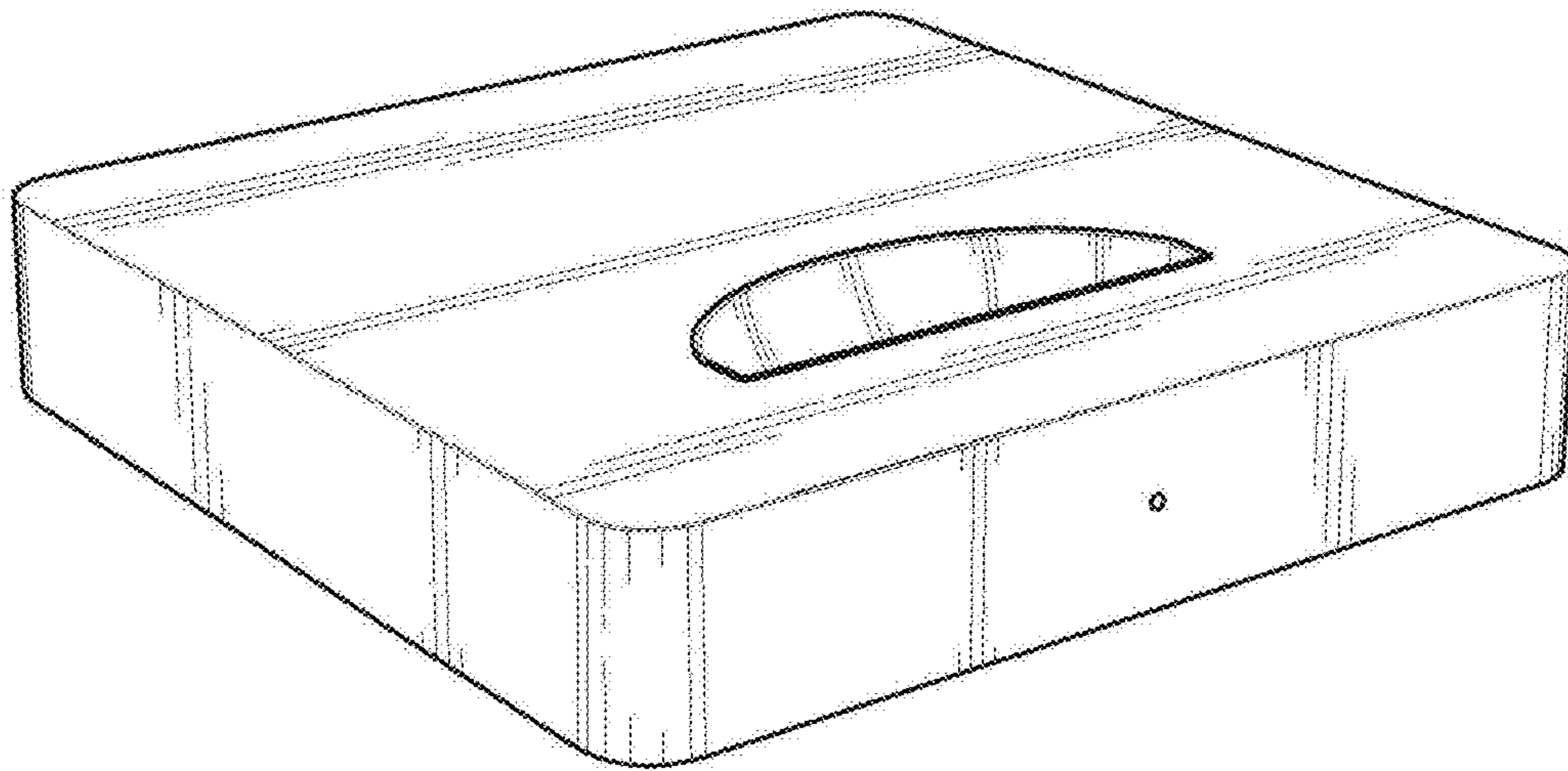


FIG. 1

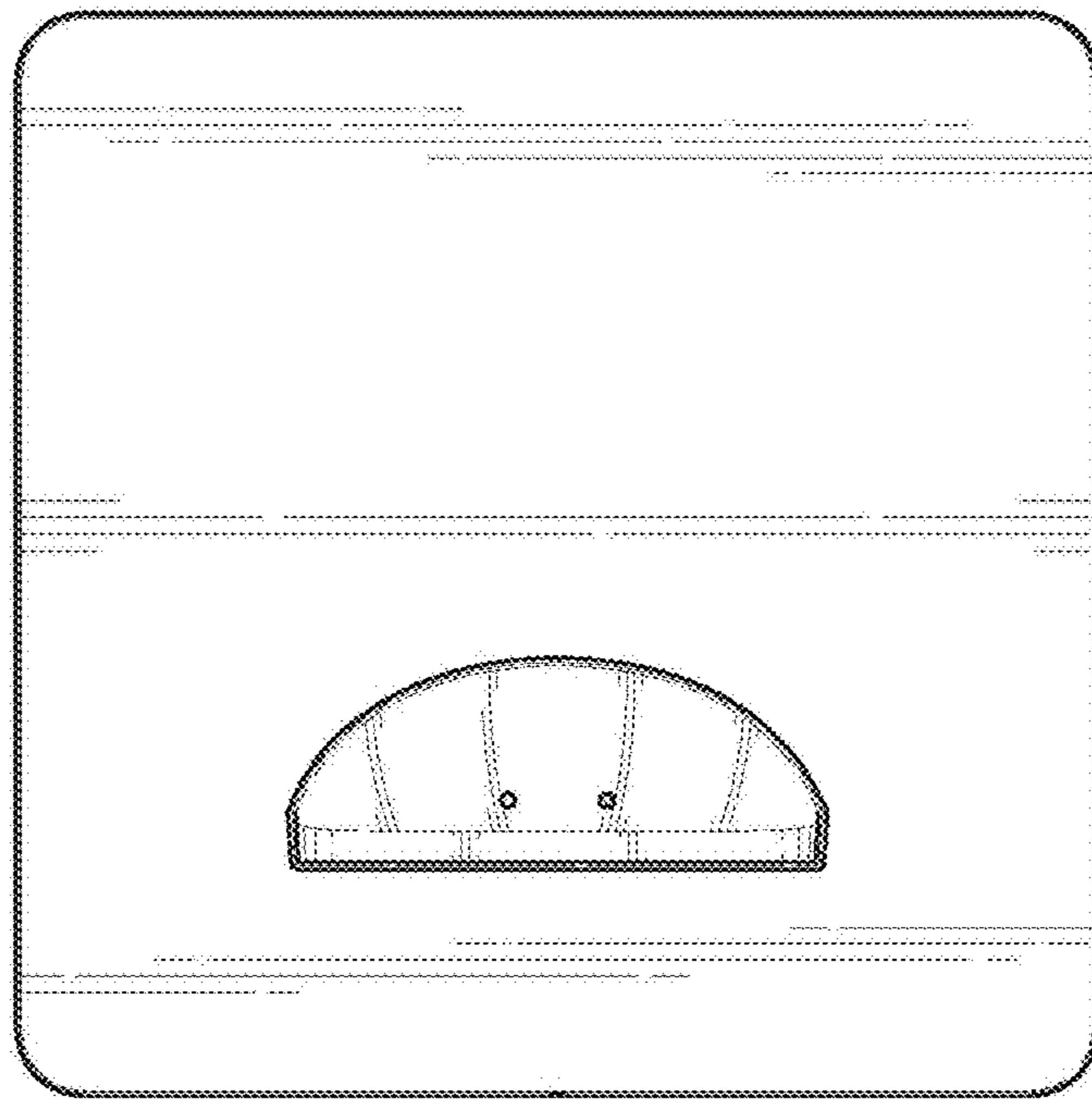


FIG. 2



FIG. 3



FIG. 4

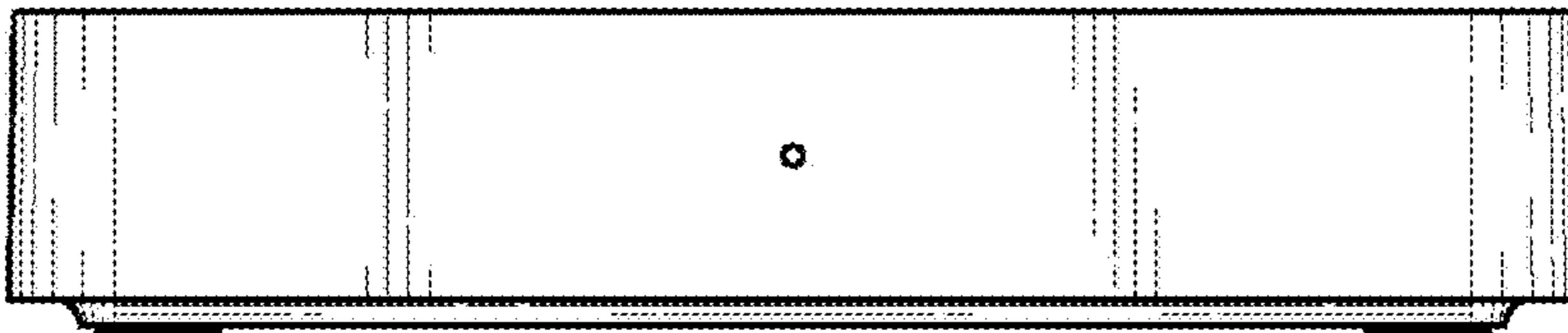


FIG. 5

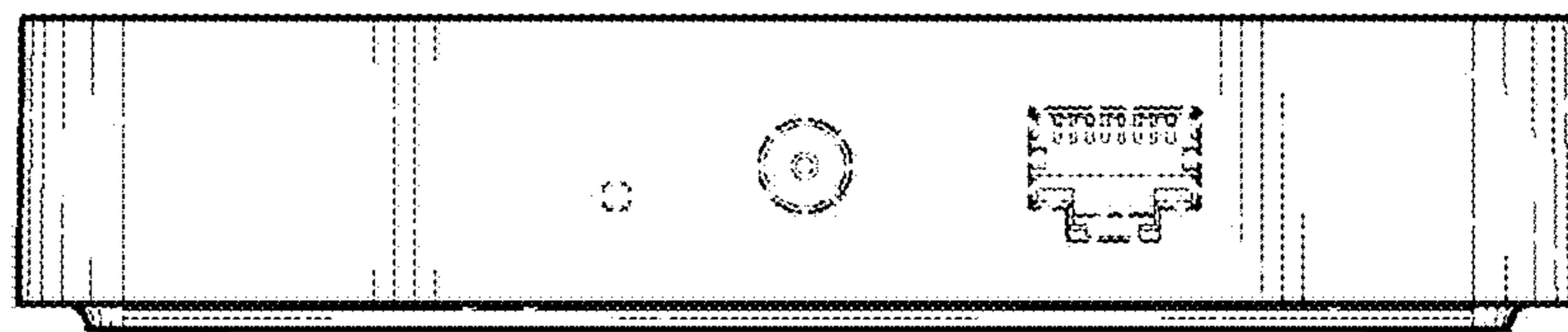


FIG. 6

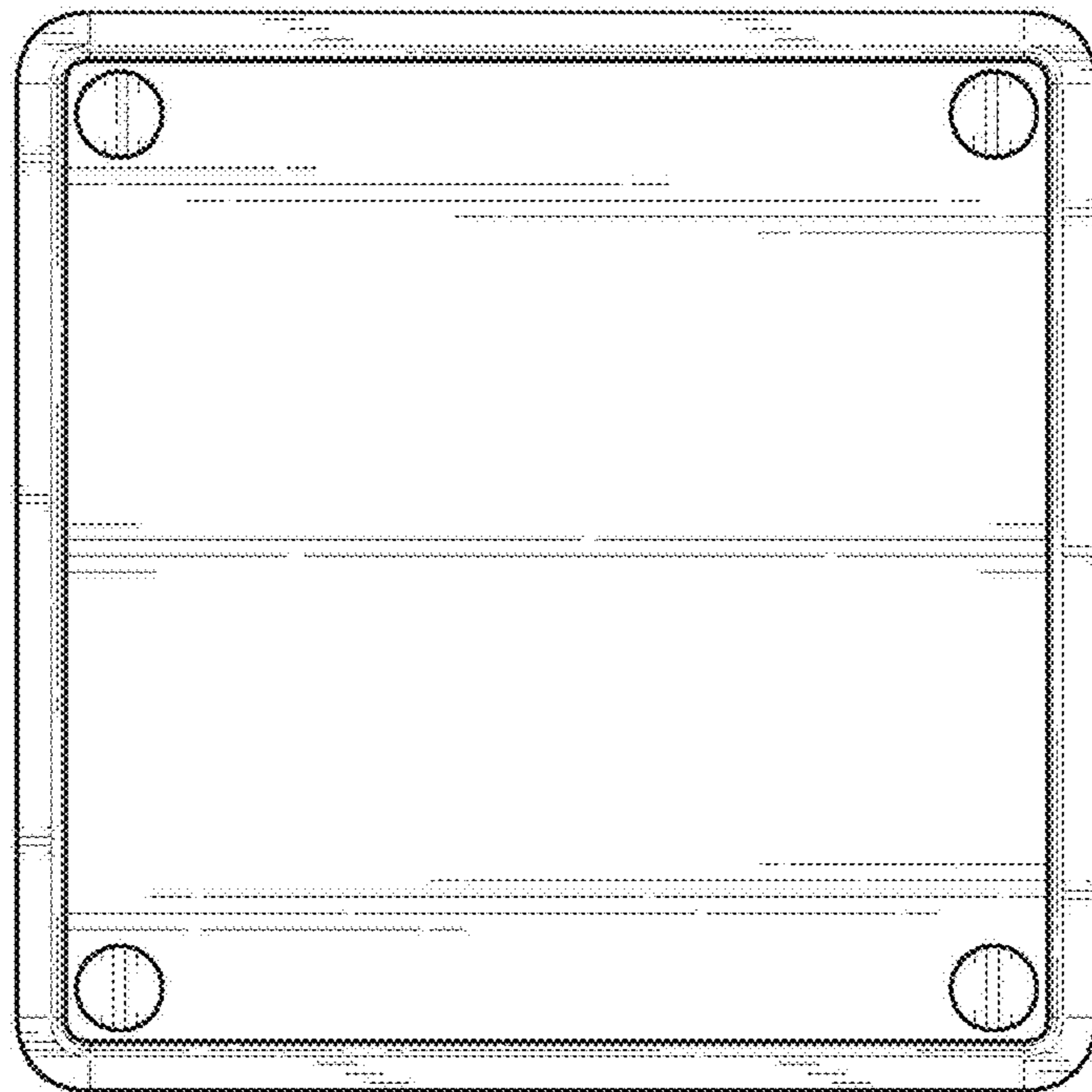


FIG. 7