

US00D844618S

(12) **United States Design Patent** (10) **Patent No.:** **US D844,618 S**
Liao (45) **Date of Patent:** **** Apr. 2, 2019**

(54) **MULTI-FUNCTION DOCKING STATION**

(71) Applicant: **Zhuowen Liao**, Shenzhen (CN)

(72) Inventor: **Zhuowen Liao**, Shenzhen (CN)

(73) Assignee: **GOPOD GROUP LTD.** (CN)

(**) Term: **15 Years**

(21) Appl. No.: **29/609,686**

(22) Filed: **Jul. 4, 2017**

(30) **Foreign Application Priority Data**

May 6, 2017 (CN) 2017 3 0162751

(51) **LOC (11) Cl.** **14-02**

(52) **U.S. Cl.**
USPC **D14/434**; D14/357; D13/133

(58) **Field of Classification Search**
USPC D14/434, 440, 447, 251-253, 432, 451,
D14/452, 454, 140, 142, 149, 217, 240,
D14/299, 496, 356, 358, 204, 207, 209.1,
D14/211, 215, 216, 171, 433; D13/103,
D13/107, 108, 118, 119, 184, 110, 123;
D6/512, 672, 682; D21/333

CPC G06F 1/1616; G06F 1/1626; G06F 1/1632;
G06F 1/1688; G06F 13/00; H01M 10/44;
F16M 11/10; F16M 11/20; H02J 7/0042;
H02J 7/00; H02J 7/0027; H02J 7/0044;
H02J 7/0045; H02J 7/355; H01R 31/065;
H04R 1/025; H04R 5/04

See application file for complete search history.

(56) **References Cited**

U.S. PATENT DOCUMENTS

D361,987 S * 9/1995 Yamazaki D14/434
D405,064 S * 2/1999 Iino D13/147
D430,882 S * 9/2000 Tsai D14/434
D592,138 S * 5/2009 Mahaffey D13/110

D596,636 S * 7/2009 Kim D14/363
D601,961 S * 10/2009 Mahaffey D13/110
D635,978 S * 4/2011 Chen D14/434
D671,945 S * 12/2012 van der Lande D14/433
D683,765 S * 6/2013 Ahn D14/203.3
8,512,079 B2 * 8/2013 Vroom H01R 13/512
361/679.45
D689,858 S * 9/2013 Lo D14/357
D692,024 S * 10/2013 Seong D14/496

(Continued)

OTHER PUBLICATIONS

Multifunction converters. (Design—© Questel) orbit.com.[online PDF] 15 pgs. Print Dates range Jun. 8, 2015 to Aug. 1, 2017. [Retrieved on Jul. 9, 2018] <https://sobjprd.questel.fr/export/QPTUJ214/pdf2/d322cb7c-206c-4340-8091-428e670a862a-201659.pdf>.*

(Continued)

Primary Examiner — Marie D. Fast Horse
(74) *Attorney, Agent, or Firm* — RC Patent Services

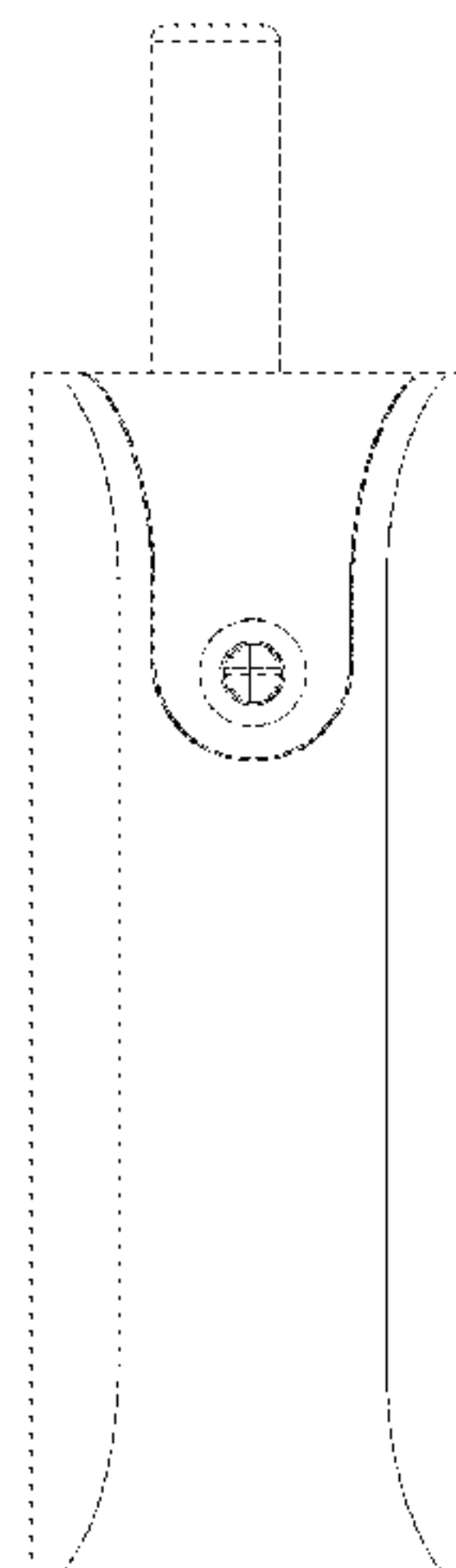
(57) **CLAIM**

The ornamental design for a multi-function docking station, as shown and described.

DESCRIPTION

FIG. 1 is a rear view of a multi-function docking station showing my new design, enlarged for clarity;
FIG. 2 is a front view thereof, shown enlarged for clarity;
FIG. 3 is a top view thereof;
FIG. 4 is a bottom view thereof;
FIG. 5 is a side view thereof, right and left side views being mirror images to each other;
FIG. 6 is a top, front, left side perspective view thereof;
FIG. 7 is a bottom, rear, left side perspective view thereof;
and,
FIG. 8 is a bottom, front, right side perspective view thereof.
The broken lines depict portions of the multi-function docking station that form no part of the claim.

1 Claim, 8 Drawing Sheets



(56)

References Cited

U.S. PATENT DOCUMENTS

D709,892 S * 7/2014 Lui D14/433
 D720,691 S * 1/2015 Lo D14/357
 D750,083 S * 2/2016 Chow D14/434
 D762,169 S * 7/2016 Lei D13/108
 D762,170 S * 7/2016 Lei D13/108
 D763,790 S * 8/2016 Lei D13/108
 D769,188 S * 10/2016 Miller D13/107
 D776,659 S * 1/2017 Hou D14/433
 D782,974 S * 4/2017 Ju D13/108
 D784,340 S * 4/2017 Laffon de Mazieres D14/433
 D788,112 S * 5/2017 Liao D14/433
 D791,070 S * 7/2017 Son D13/103
 D794,028 S * 8/2017 Lin D14/433
 D797,747 S * 9/2017 Xu D14/433
 D798,811 S * 10/2017 Liao D13/110
 D800,730 S * 10/2017 Liao D14/433
 D803,779 S * 11/2017 Jung D13/107

D807,290 S * 1/2018 Liao D13/110
 D813,875 S * 3/2018 Liao D14/434
 D830,366 S * 10/2018 Turksu D14/433
 2006/0085584 A1* 4/2006 Chen G06F 1/1632
 710/303
 2007/0212145 A1* 9/2007 Chu G06F 1/1632
 400/76
 2012/0243156 A1* 9/2012 Cheng G06F 13/4022
 361/679.02
 2015/0171386 A1* 6/2015 Yang H01M 2/1022
 429/163

OTHER PUBLICATIONS

Converters. (Design—© Questel) orbit.com.[online PDF] 32 pgs.
 Print Dates range Sep. 26, 2017-Mar. 27, 2018[Retrieved on Oct.
 12, 2018] <https://sobjprd.questel.fr/export/QPTUJ214/pdf2/a62a5646-9d30-4978-ab75-d5e2809eef54-211032.pdf>.*

* cited by examiner

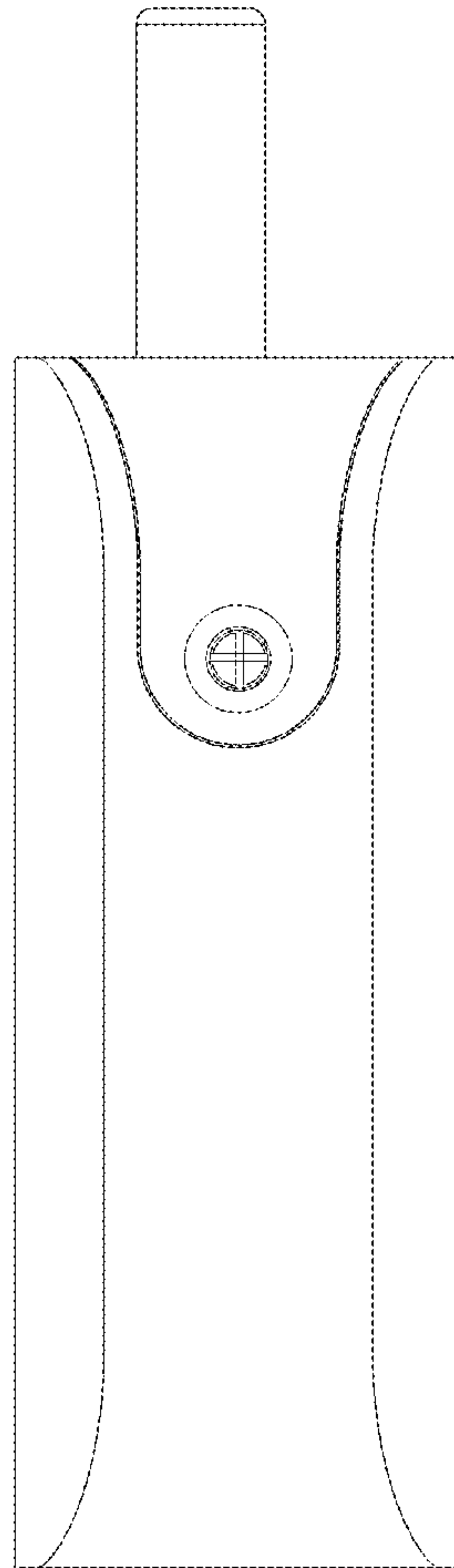


Fig. 1

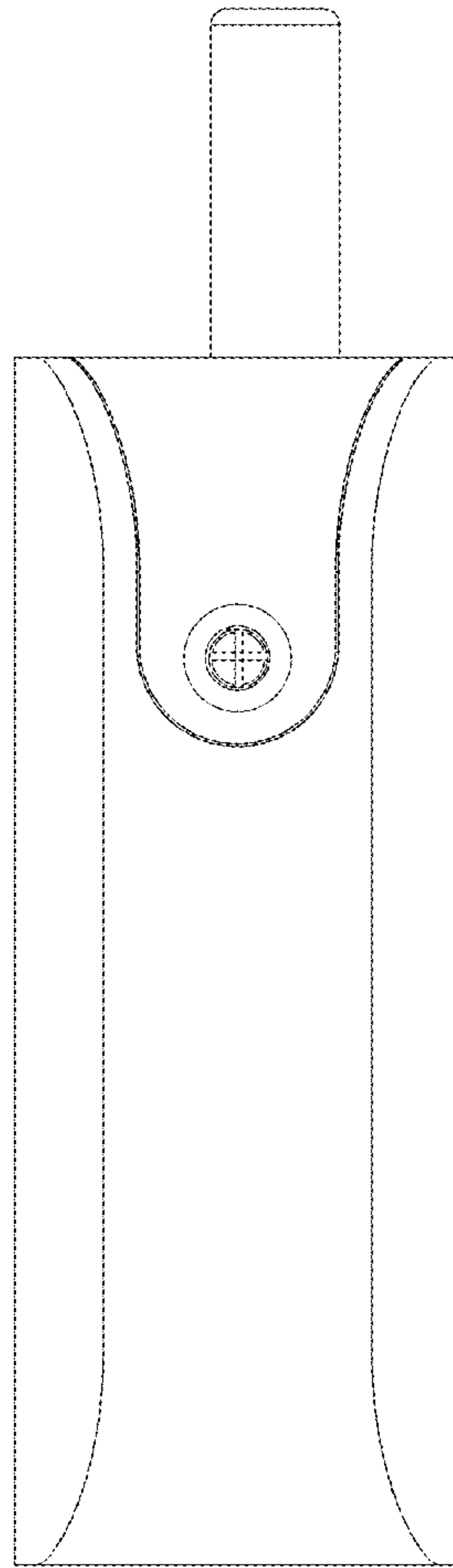


Fig. 2

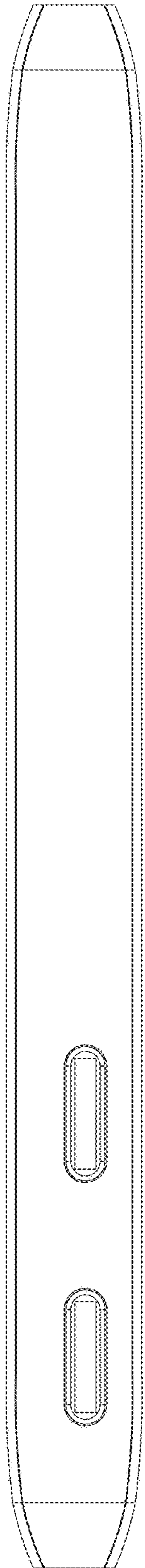


Fig. 3

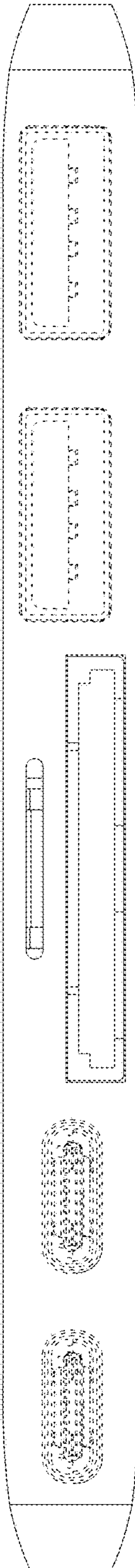


Fig. 4

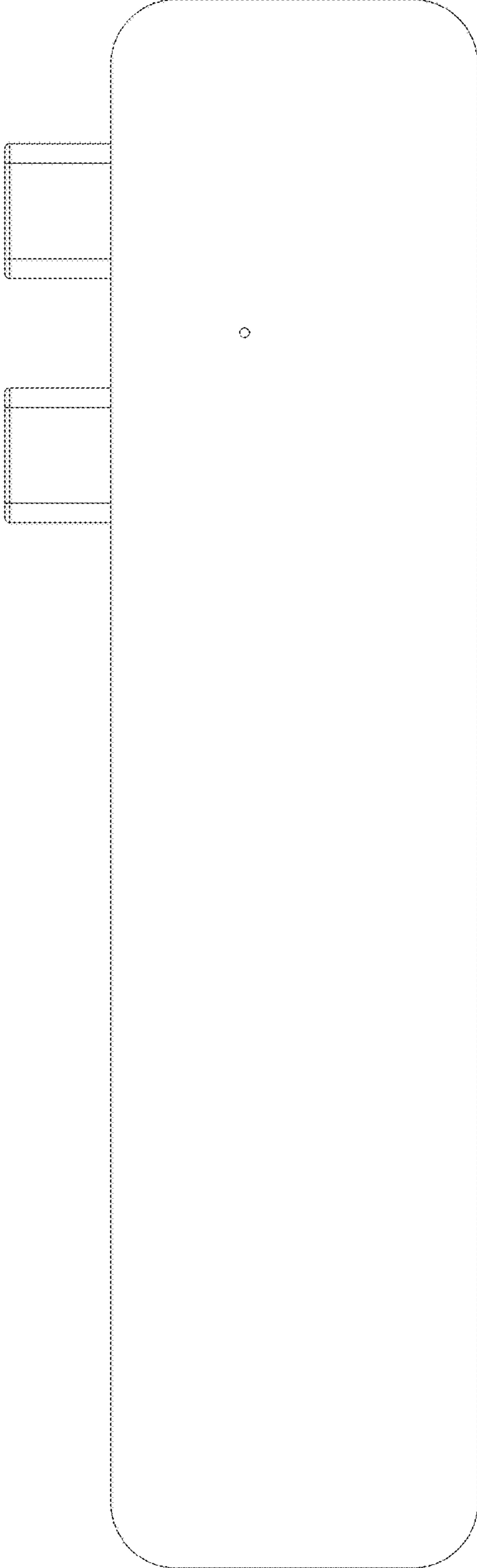


Fig. 5

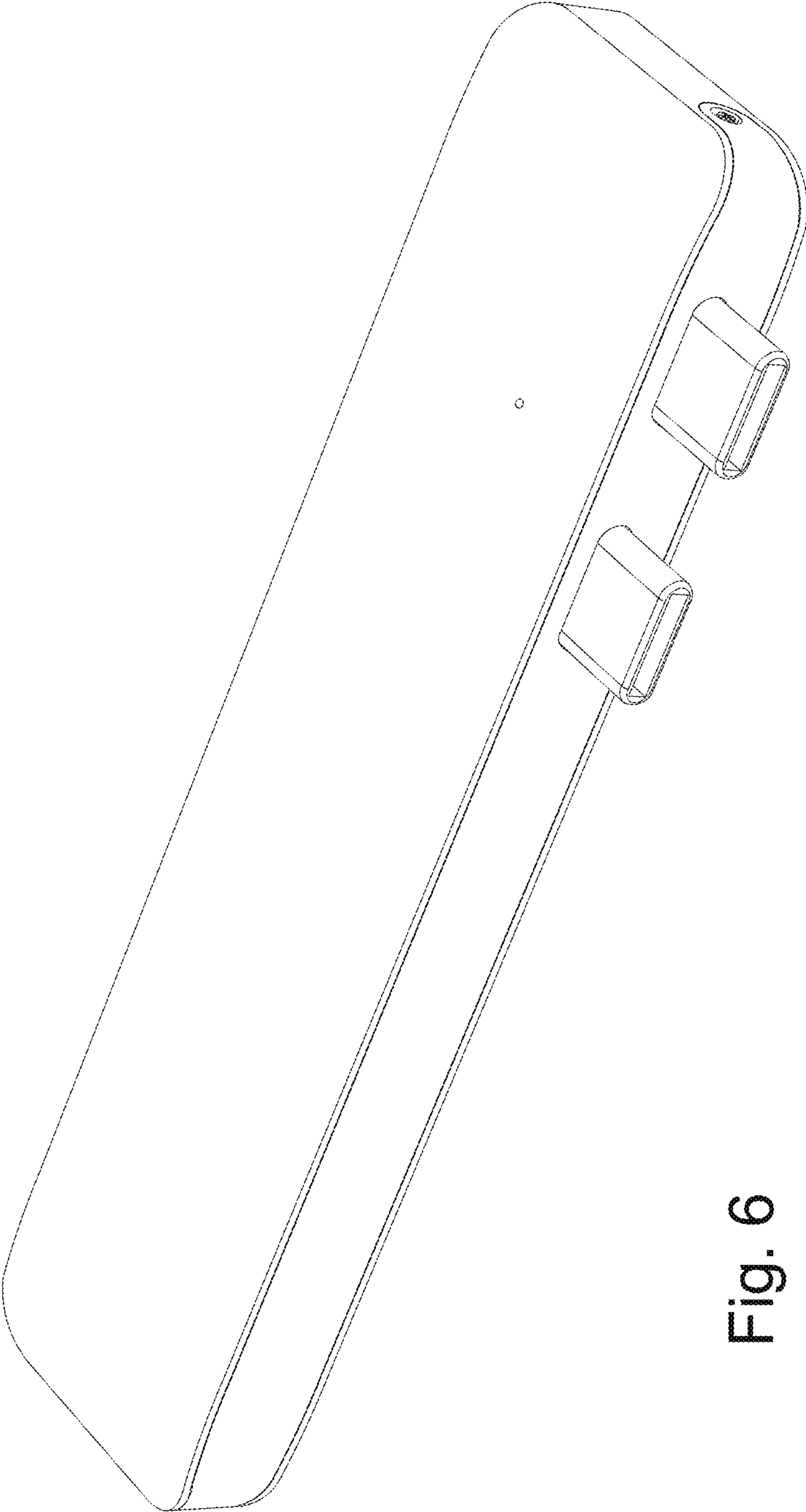


Fig. 6

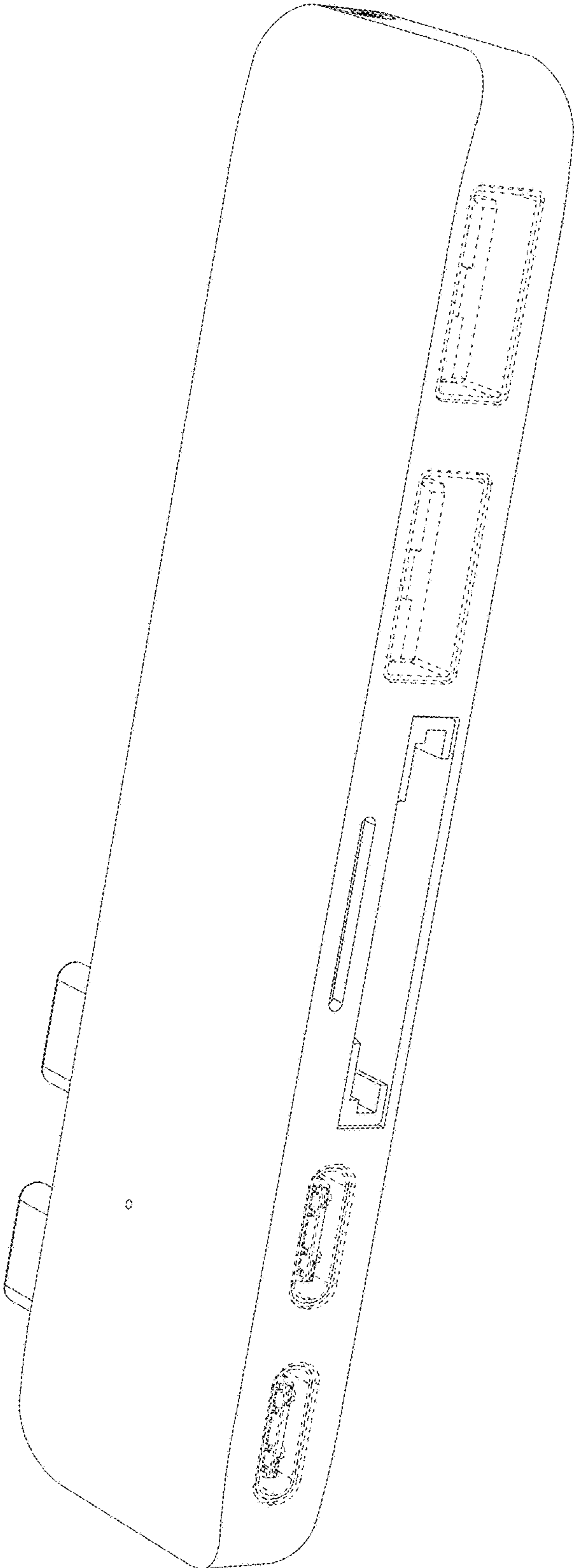


Fig. 7

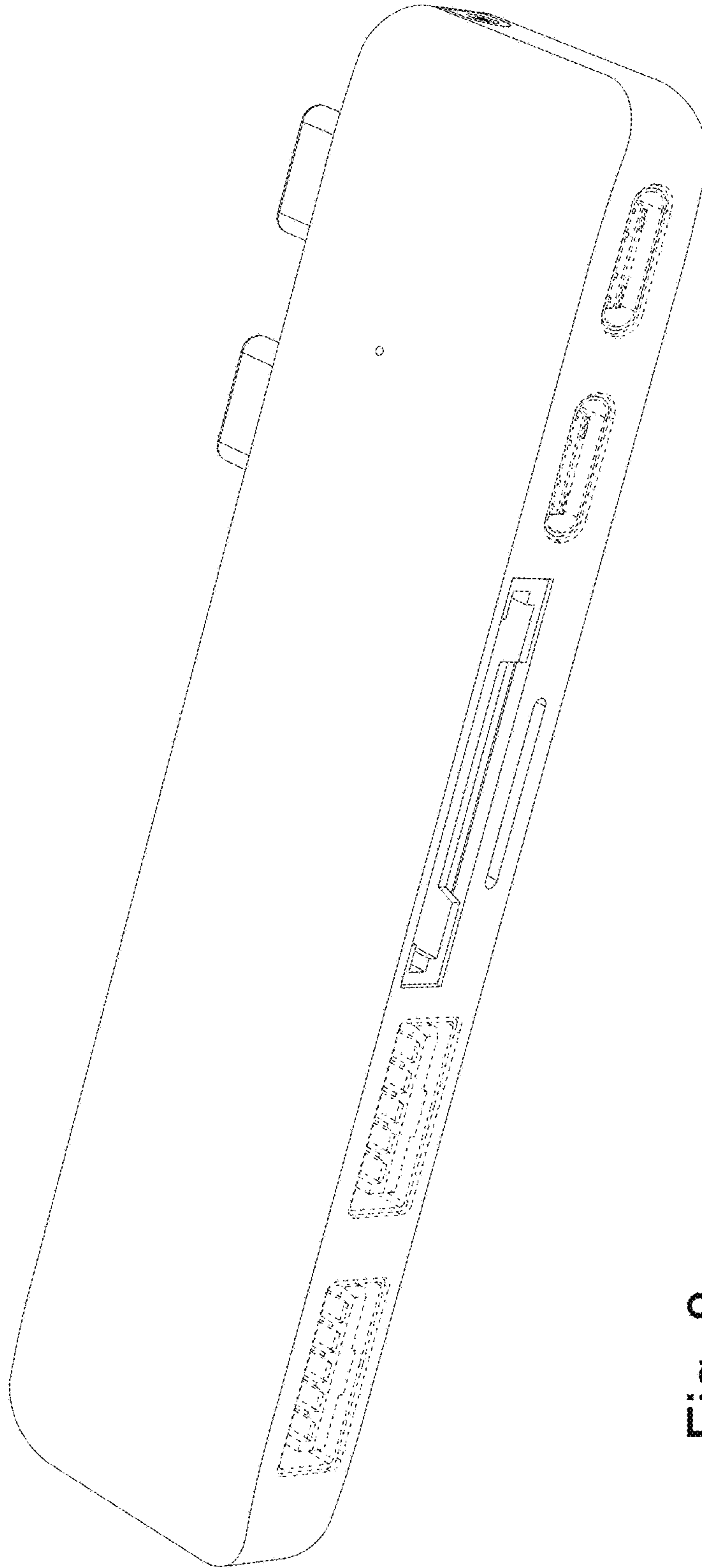


Fig. 8