



US00D844611S

(12) **United States Design Patent**
Ferren et al.

(10) **Patent No.:** **US D844,611 S**

(45) **Date of Patent:** **** Apr. 2, 2019**

(54) **KEYBOARD**

(71) Applicant: **Pioneer Square Brands, Inc.**, Seattle, WA (US)

(72) Inventors: **Michael Cooper Ferren**, Camas, WA (US); **Michael Heecheol Kim**, Seattle, WA (US); **Jaimie Emerald Chan**, Renton, WA (US)

(73) Assignee: **PIONEER SQUARE BRANDS, INC.**, McLean, VA (US)

(**) Term: **15 Years**

(21) Appl. No.: **29/663,914**

(22) Filed: **Sep. 20, 2018**

(51) **LOC (11) Cl.** **14-02**

(52) **U.S. Cl.**

USPC **D14/392**; D14/455

(58) **Field of Classification Search**

USPC D14/388-401, 455, 320, 331, 333, 338, D14/339, 341, 346, 348, 363, 356, 347, D14/379, 380, 384, 218, 250; D13/162, D13/164, 168, 184, 123; D18/12, 12.2, D18/52, 7; D21/324, 333, 566; D10/78

CPC G06F 3/02; G06F 3/0202; G06F 3/0205; G06F 3/0213; G06F 3/0216; G06F 3/0219; G06F 3/0231; G06F 3/0234; G06F 3/002; G06F 3/016; G06F 3/03547; G06F 3/041; G06F 1/1662; G06F 1/1664; G06F 1/1666; G06F 1/1669; G06F 1/1671; G06F 1/1673; H04M 1/23

See application file for complete search history.

(56) **References Cited**

U.S. PATENT DOCUMENTS

D285,922 S 9/1986 Freige et al.
D364,400 S 11/1995 Chen

D366,479 S 1/1996 Lievan
D406,580 S 3/1999 Nien
D414,479 S 9/1999 Oberhofer et al.
D433,412 S 11/2000 Chou
D434,766 S 12/2000 Takada et al.
D439,902 S 4/2001 Oba
D470,501 S 2/2003 Yamada
D510,089 S 9/2005 Chou
D518,052 S 3/2006 Jung et al.
D533,172 S * 12/2006 Lee D14/399
D543,550 S 5/2007 Raeber et al.
D550,677 S 9/2007 O'Neil
D580,936 S * 11/2008 Meyer D14/391
D582,414 S 12/2008 Yim
D594,011 S 6/2009 Casparian et al.
D606,047 S * 12/2009 Lin D14/218
D611,481 S 3/2010 Manalo
D633,497 S 3/2011 Reed et al.
D643,037 S 9/2011 Liang
D668,245 S * 10/2012 Bau D14/250
D670,279 S * 11/2012 Veltz D14/250
D684,576 S 6/2013 Lee

(Continued)

Primary Examiner — Marie D. Fast Horse

(74) *Attorney, Agent, or Firm* — Grandview Law

(57) **CLAIM**

The ornamental design for a keyboard, as shown and described.

DESCRIPTION

FIG. 1 is a rear perspective view of a keyboard showing our new design;

FIG. 2 is a front elevational view thereof;

FIG. 3 is a rear elevational view thereof;

FIG. 4 is a top elevational view thereof;

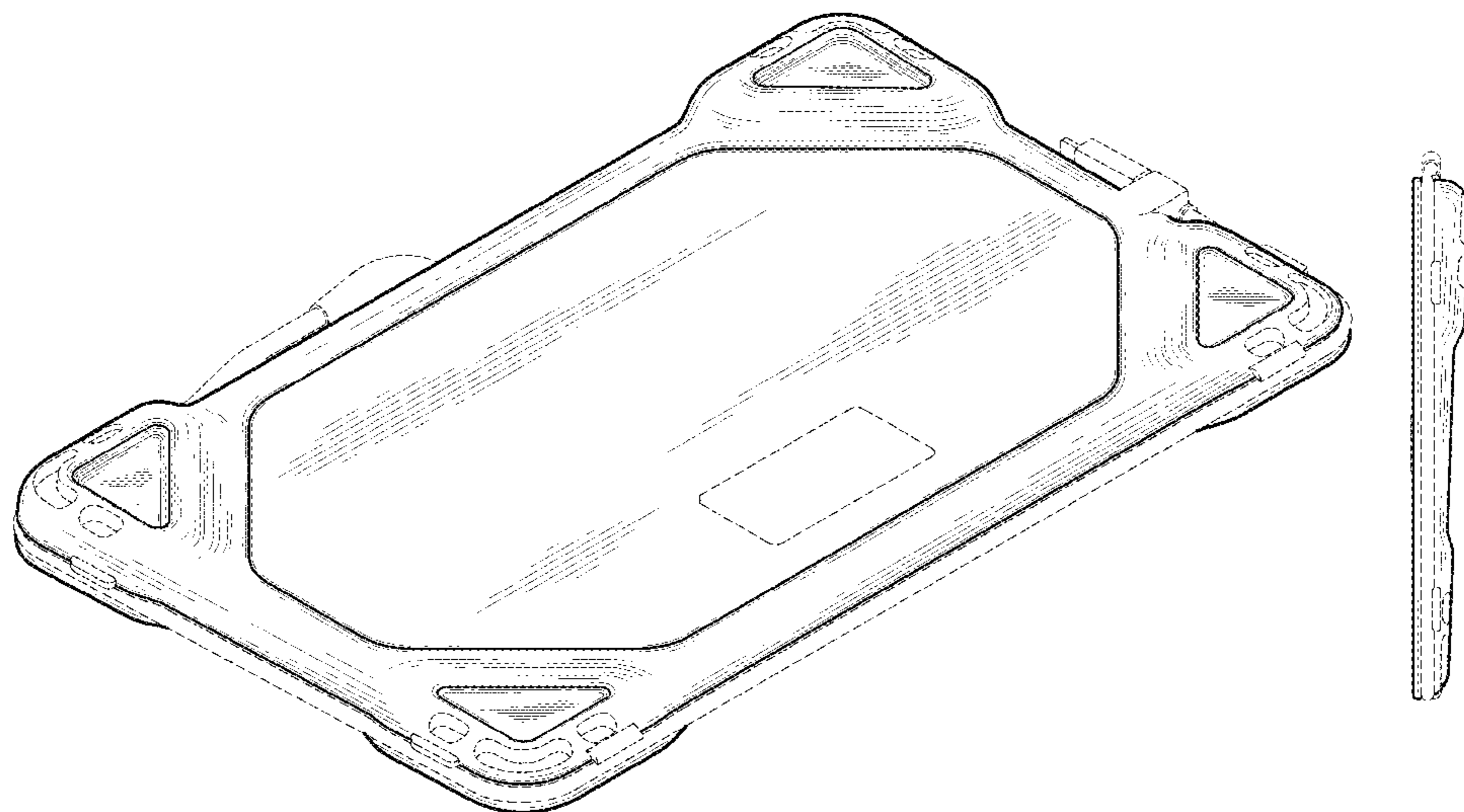
FIG. 5 is a bottom elevational view thereof;

FIG. 6 is a left elevational view thereof; and,

FIG. 7 is a right elevational view thereof.

The broken lines in the drawings depict portions of the keyboard that form no part of the claimed design.

1 Claim, 3 Drawing Sheets



(56)

References Cited

U.S. PATENT DOCUMENTS

D698,337 S *	1/2014	Hirano	D14/218	D780,757 S	3/2017	Crisp et al.	
D706,272 S *	6/2014	Poon	D14/440	D783,604 S *	4/2017	Wesolek	D14/341
D709,510 S *	7/2014	Soare	D14/440	D785,617 S *	5/2017	Bidwell	D14/341
D716,312 S *	10/2014	Fujioka	D14/440	D785,618 S *	5/2017	Schwibner	D14/341
D719,573 S	12/2014	Schake		D785,636 S *	5/2017	Oberpriller	D14/440
D720,749 S	1/2015	He		D786,256 S *	5/2017	Stewart	D14/440
D720,750 S	1/2015	He		D786,869 S *	5/2017	Liunan	D14/396
D723,570 S *	3/2015	Sirichai	D14/440	D789,937 S *	6/2017	Zhang	D14/440
D724,595 S *	3/2015	Sirichai	D14/440	D791,773 S *	7/2017	Moore	D14/440
D727,918 S *	4/2015	Soare	D14/440	D792,886 S *	7/2017	Schwibner	D14/440
D734,334 S	7/2015	Tsuda et al.		D794,625 S *	8/2017	Armstrong	D14/440
D746,293 S	12/2015	Park		D795,260 S *	8/2017	Schlossberg	D14/432
D749,592 S *	2/2016	Huang	D14/440	D801,393 S *	10/2017	Lai	D14/390
D755,772 S *	5/2016	Sasaki	D14/250	D801,976 S *	11/2017	Li	D14/440
D757,022 S	5/2016	Dirksen		D805,517 S *	12/2017	Lai	D14/399
D761,263 S *	7/2016	Brinkman	D14/440	D807,369 S *	1/2018	Chen	D14/440
D762,631 S *	8/2016	Kim	D14/250	D808,369 S *	1/2018	Kim	D14/250
D777,727 S *	1/2017	Maicon	D14/440	D808,395 S *	1/2018	Fenton	D14/440
D778,281 S *	2/2017	Rodrigues	D14/392	D811,396 S	2/2018	Tzeng et al.	
D780,756 S	3/2017	Crisp et al.		D812,055 S	3/2018	Crisp et al.	
				D815,094 S *	4/2018	Jiang	D14/398
				D819,640 S *	6/2018	Lu	D14/391
				D824,893 S *	8/2018	Ahn	D14/250

* cited by examiner

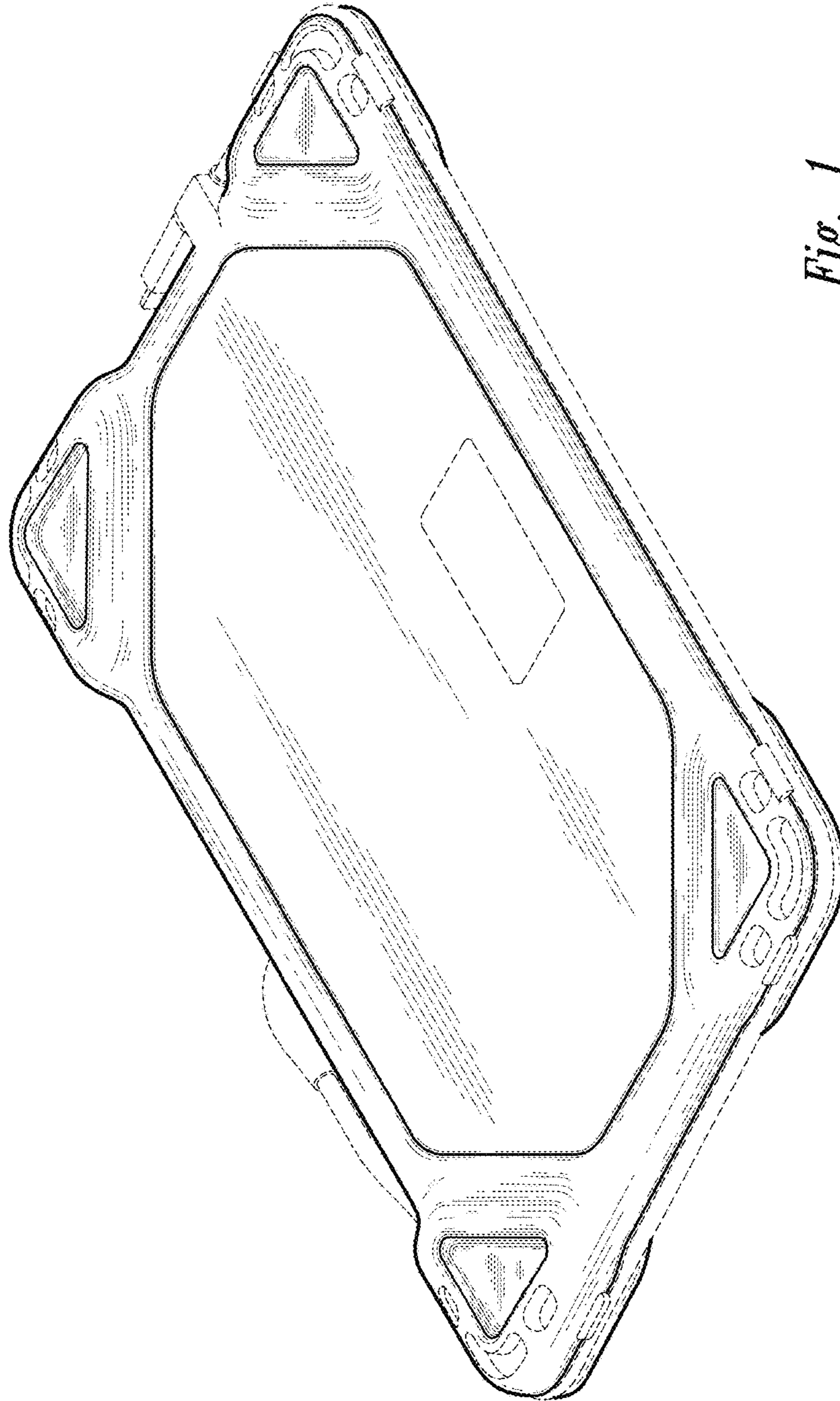


Fig. 1

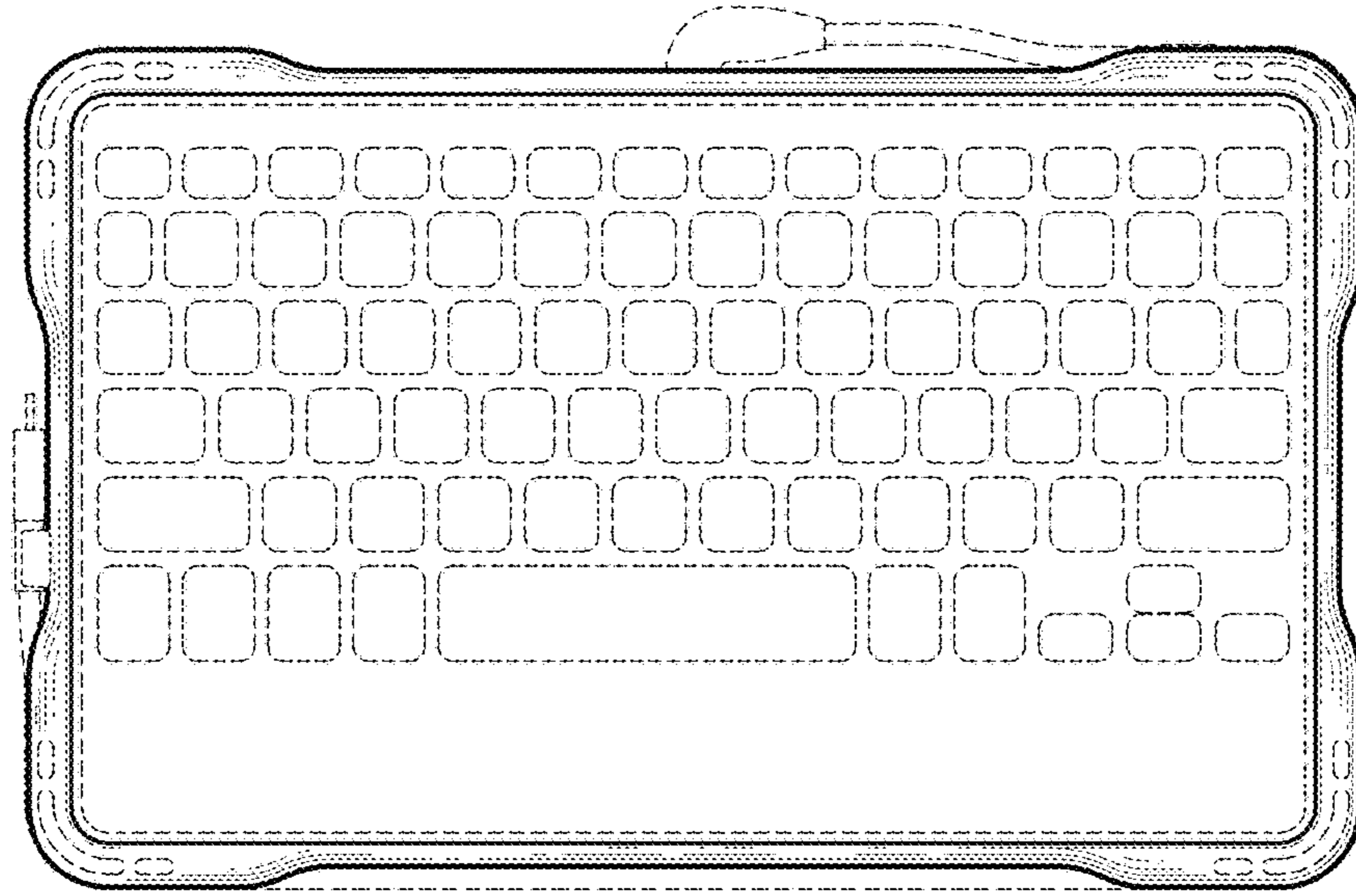


Fig. 2

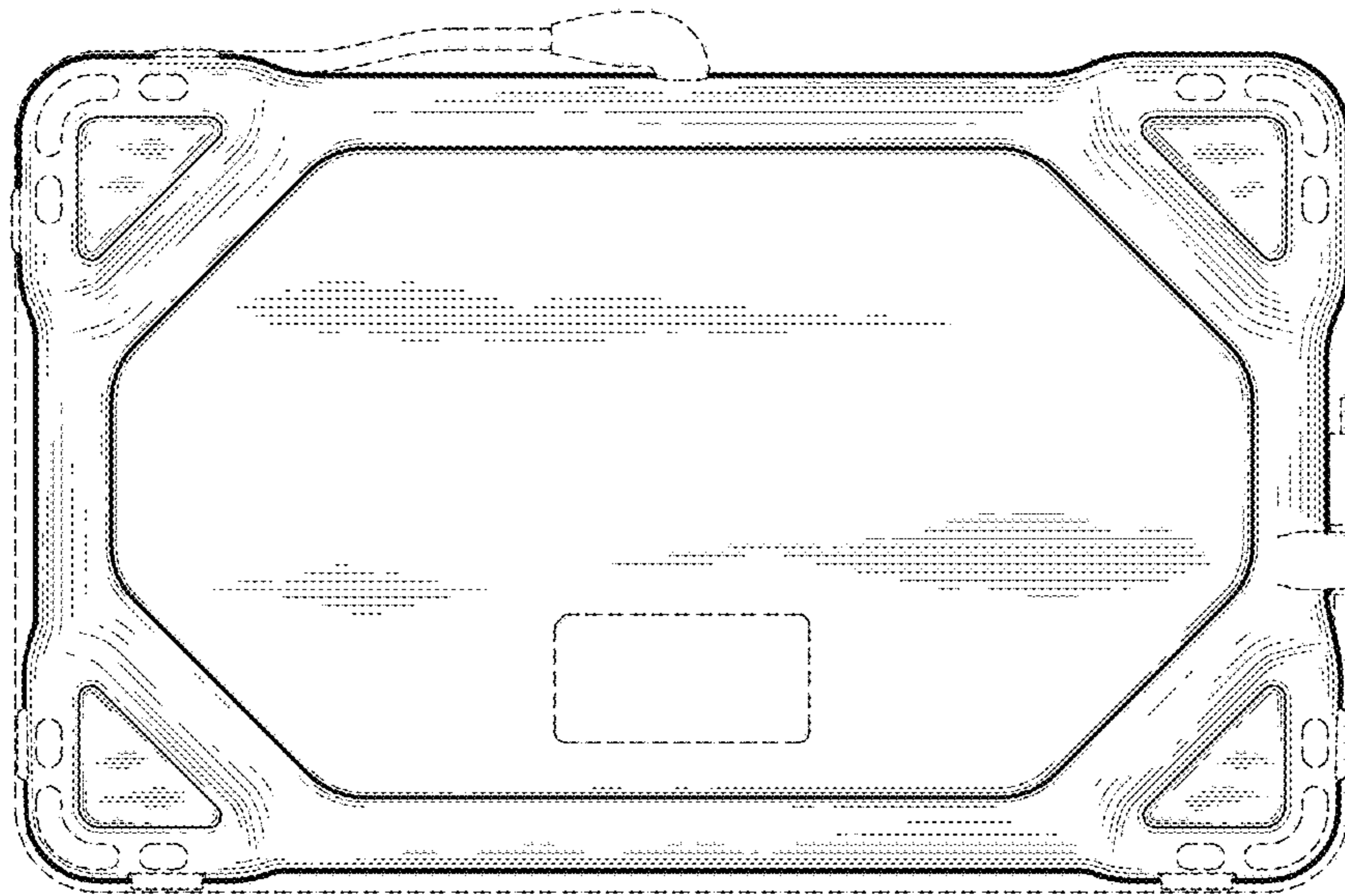


Fig. 3

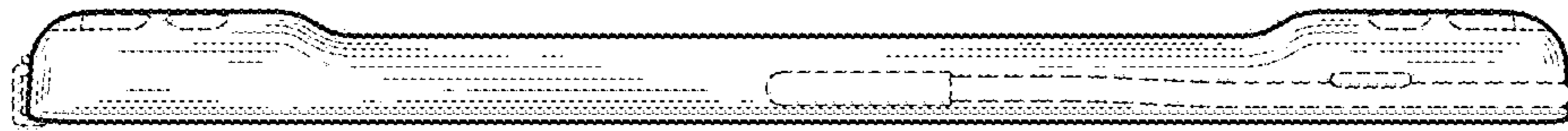


Fig. 4



Fig. 5



Fig. 6

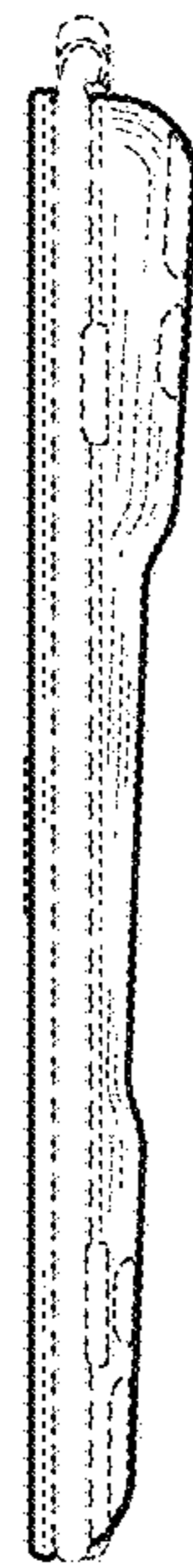


Fig. 7