



US00D844610S

(12) **United States Design Patent** (10) **Patent No.:** **US D844,610 S**  
**Luo** (45) **Date of Patent:** **\*\* Apr. 2, 2019**

- (54) **GRAPHIC TABLET**
- (71) Applicant: **Shenzhen Huion Animation Technology Co., Ltd**, Shenzhen, Guangdong (CN)
- (72) Inventor: **Leo Luo**, Guangdong (CN)
- (73) Assignee: **Shenzhen Huion Animation Technology Co., Ltd**, Shenzhen (CN)
- (\*\*) Term: **15 Years**
- (21) Appl. No.: **29/605,450**
- (22) Filed: **May 26, 2017**
- (30) **Foreign Application Priority Data**  
May 15, 2017 (JP) ..... 2017-010257
- (51) **LOC (11) Cl.** ..... **14-02**
- (52) **U.S. Cl.**  
USPC ..... **D14/390**
- (58) **Field of Classification Search**  
USPC ..... D14/388, 389, 390, 318, 341, 342, 346, D14/356, 130, 218, 454, 455, 299, 371, D14/374, 378, 496, 432, 434, 457, 458; D21/324, 329, 333; D13/162, 164, 168; D10/46, 61, 65; D19/59-61, 113; D20/10, 11, 19, 99  
CPC ..... G06F 3/041; G06F 3/0412; G06F 3/0414; G06F 3/0416; G06F 3/044; G06F 3/048; G06F 3/484; G06F 3/488; G06F 3/4883; G06F 3/03545; G06F 2203/0338; G06F 1/1669; G06F 1/1643; G06F 1/166  
See application file for complete search history.

- (56) **References Cited**  
**U.S. PATENT DOCUMENTS**  
D313,409 S \* 1/1991 Chowdhree ..... D14/389  
D333,125 S \* 2/1993 Komada ..... D14/390  
D353,369 S \* 12/1994 Leibengood ..... D14/455

- D506,195 S \* 6/2005 Leveridge ..... D14/336
  - D519,997 S \* 5/2006 Hirota ..... D14/341
  - D523,445 S \* 6/2006 Toh ..... D14/203.7
  - D524,308 S \* 7/2006 Lai ..... D14/341
  - D525,621 S \* 7/2006 Hirota ..... D14/346
  - D554,098 S \* 10/2007 Lee ..... D14/138 AD
  - D561,204 S \* 2/2008 Toh ..... D14/496
- (Continued)

**OTHER PUBLICATIONS**

Graphics Tablet. (Design—© Questel) orbit.com.[online PDF] 26 pgs. Print Dates range May 4, 2017 to Jan. 26, 2018. [Retrieved on Aug. 13, 2018] <https://sobjprd.questel.fr/export/QPTUJ214/pdf2/a5c62a83-b8f1-48cb-9d6c-54bcf17c0f78-203826.pdf>\*

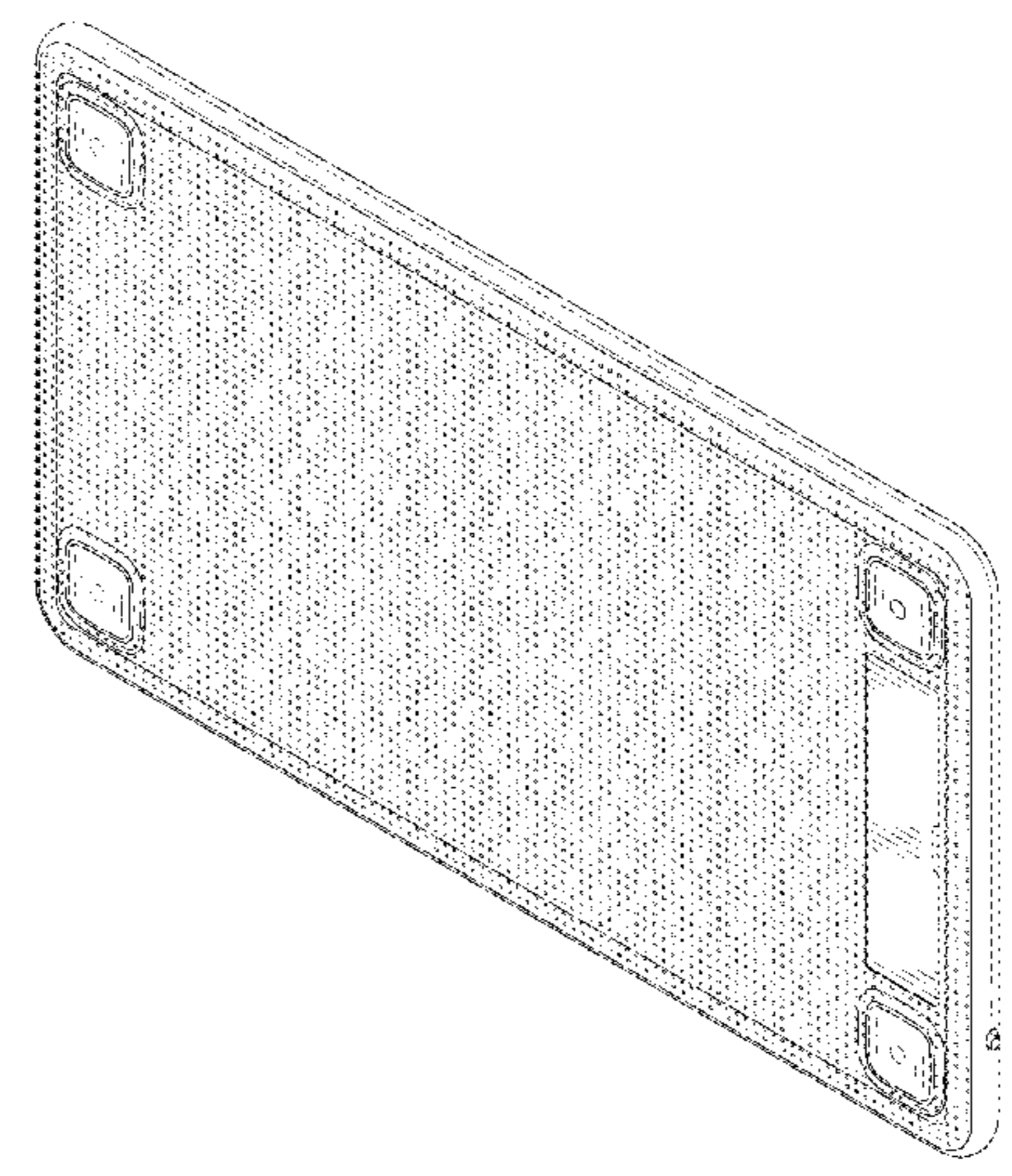
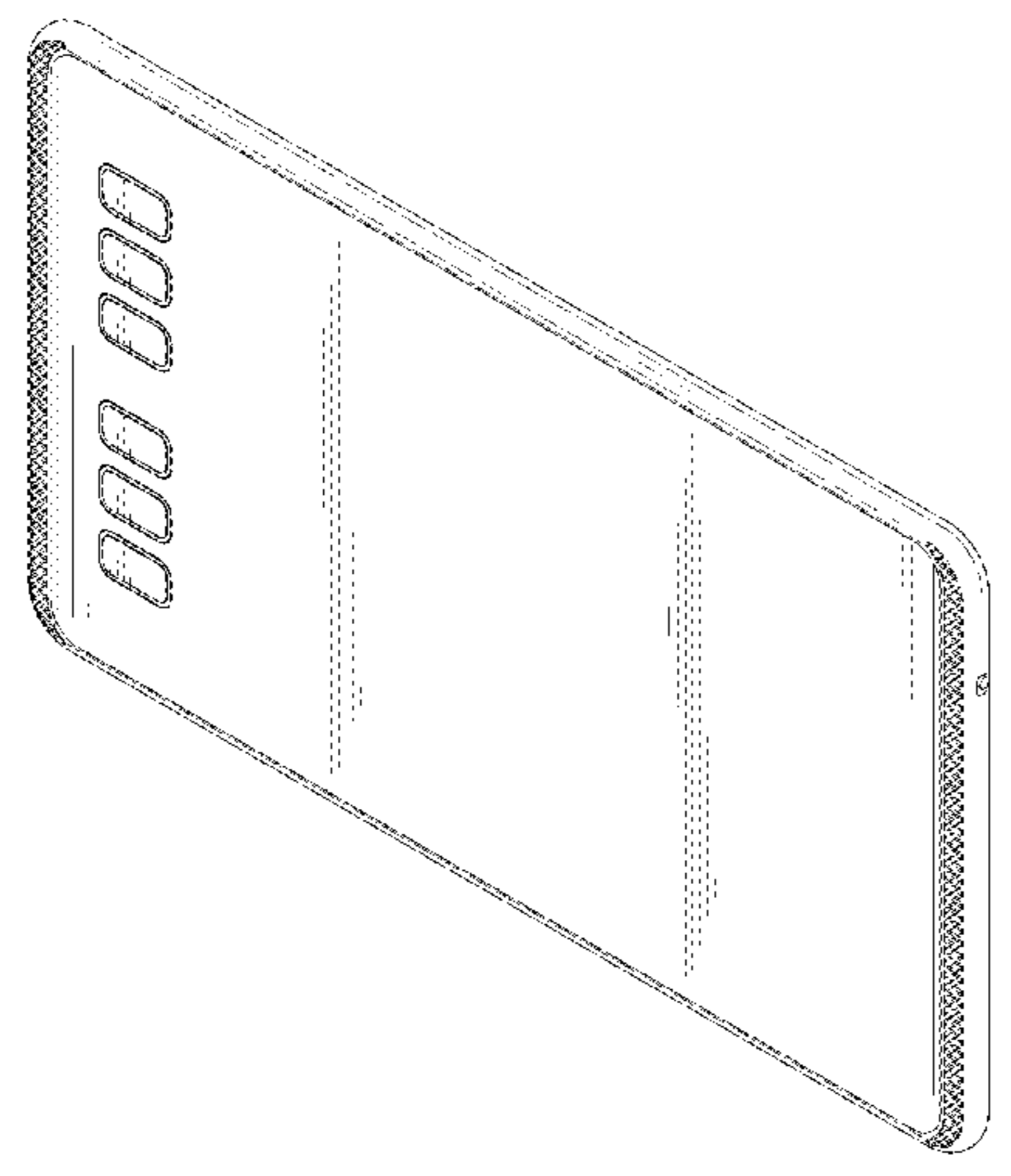
*Primary Examiner* — Marie D. Fast Horse

- (57) **CLAIM**  
The ornamental design for a graphic tablet, as shown and described.

**DESCRIPTION**

FIG. 1 is a first perspective view of a first embodiment of a graphic tablet showing my new design;  
 FIG. 2 is a second perspective view of FIG. 1;  
 FIG. 3 is a front elevational view of FIG. 1;  
 FIG. 4 is a rear elevational view of FIG. 1;  
 FIG. 5 is a left side view of FIG. 1;  
 FIG. 6 is a right side view of FIG. 1;  
 FIG. 7 is a top plan view of FIG. 1;  
 FIG. 8 is a bottom plan view of FIG. 1;  
 FIG. 9 is a first perspective view of a second embodiment of the graphic tablet;  
 FIG. 10 is a second perspective view of FIG. 9;  
 FIG. 11 is a front elevational view of FIG. 9;  
 FIG. 12 is a rear elevational view of FIG. 9;  
 FIG. 13 is a left side view of FIG. 9;  
 FIG. 14 is a right side view of FIG. 9;  
 FIG. 15 is a top plan view of FIG. 9; and,  
 FIG. 16 is a bottom plan view of FIG. 9.

**1 Claim, 16 Drawing Sheets**



(56)

References Cited

U.S. PATENT DOCUMENTS

D576,177 S \* 9/2008 Asanuma ..... D14/496  
 D589,961 S \* 4/2009 Hackenberg ..... D14/389  
 D601,560 S \* 10/2009 Matsumoto ..... D14/346  
 D602,022 S \* 10/2009 Heck ..... D14/389  
 D625,727 S \* 10/2010 Crisp ..... D14/390  
 D625,728 S \* 10/2010 Crisp ..... D14/390  
 D629,400 S \* 12/2010 Harper ..... D14/390  
 D629,401 S \* 12/2010 Crisp ..... D14/390  
 D629,402 S \* 12/2010 Crisp ..... D14/390  
 D631,047 S \* 1/2011 Hirota ..... D14/390  
 D642,174 S \* 7/2011 Hirota ..... D14/374  
 D648,723 S \* 11/2011 Harper ..... D14/390  
 D649,190 S \* 11/2011 Goodall ..... D14/374  
 D690,696 S \* 10/2013 Jonsson ..... D14/390  
 D690,697 S \* 10/2013 Jonsson ..... D14/390  
 D690,698 S \* 10/2013 Jonsson ..... D14/390  
 D690,699 S \* 10/2013 Jonsson ..... D14/390  
 D690,700 S \* 10/2013 Jonsson ..... D14/390  
 D690,701 S \* 10/2013 Jonsson ..... D14/390  
 D702,235 S \* 4/2014 Jonsson ..... D14/390  
 D715,291 S \* 10/2014 Cacioppo ..... D14/341  
 D719,161 S \* 12/2014 Huebner ..... D14/389  
 D726,724 S \* 4/2015 Wahlqvist ..... D14/390  
 D732,526 S \* 6/2015 Ferren ..... D14/341  
 D732,533 S \* 6/2015 Hirota ..... D14/389  
 D733,710 S \* 7/2015 Huebner ..... D14/390  
 D743,392 S \* 11/2015 Ju ..... D14/341  
 D746,278 S \* 12/2015 Chen ..... D14/341  
 D753,223 S \* 4/2016 Chin ..... D19/113  
 D753,651 S \* 4/2016 Hong ..... D14/341  
 D757,820 S \* 5/2016 Leopardi ..... D14/203.3  
 9,335,839 B1 \* 5/2016 Lynch ..... G06F 3/03545

D770,444 S \* 11/2016 Ho ..... D14/341  
 D775,125 S \* 12/2016 Yoshihara ..... D14/341  
 D778,903 S \* 2/2017 Tsai ..... D14/341  
 D780,748 S \* 3/2017 Wang ..... D14/138 G  
 D781,846 S \* 3/2017 Hasegawa ..... D14/341  
 D783,601 S \* 4/2017 Schulte ..... D14/341  
 D785,617 S \* 5/2017 Bidwell ..... D14/341  
 D793,384 S \* 8/2017 Park ..... D14/341  
 D793,389 S \* 8/2017 Kim ..... D14/341  
 D810,745 S \* 2/2018 Luo ..... D14/389  
 D812,050 S \* 3/2018 Mitchell ..... D14/341  
 D816,081 S \* 4/2018 Rosenberg ..... D14/390  
 D817,951 S \* 5/2018 Chang ..... D14/341  
 D818,465 S \* 5/2018 Mitchell ..... D14/341  
 D818,466 S \* 5/2018 Chang ..... D14/341  
 D820,252 S \* 6/2018 Huebner ..... D14/341  
 D820,801 S \* 6/2018 Yeom ..... D14/138 AB  
 2013/0161179 A1 \* 6/2013 Tamura ..... G06F 3/044  
 200/600  
 2013/0222238 A1 \* 8/2013 Sliger ..... G06F 3/0484  
 345/157  
 2013/0300708 A1 \* 11/2013 Kim ..... G06F 3/0416  
 345/174  
 2014/0263930 A1 \* 9/2014 Huebner ..... F16M 11/10  
 248/558  
 2015/0036277 A1 \* 2/2015 Yukawa ..... G06F 1/166  
 361/679.22  
 2015/0049028 A1 \* 2/2015 Pollmann ..... G06F 3/0488  
 345/173  
 2017/0168598 A1 \* 6/2017 Murauyou ..... G06F 3/03545  
 2018/0024653 A1 \* 1/2018 Attarian ..... G06F 3/03545  
 345/179  
 2018/0181212 A1 \* 6/2018 Miyazawa ..... G06F 3/03545

\* cited by examiner

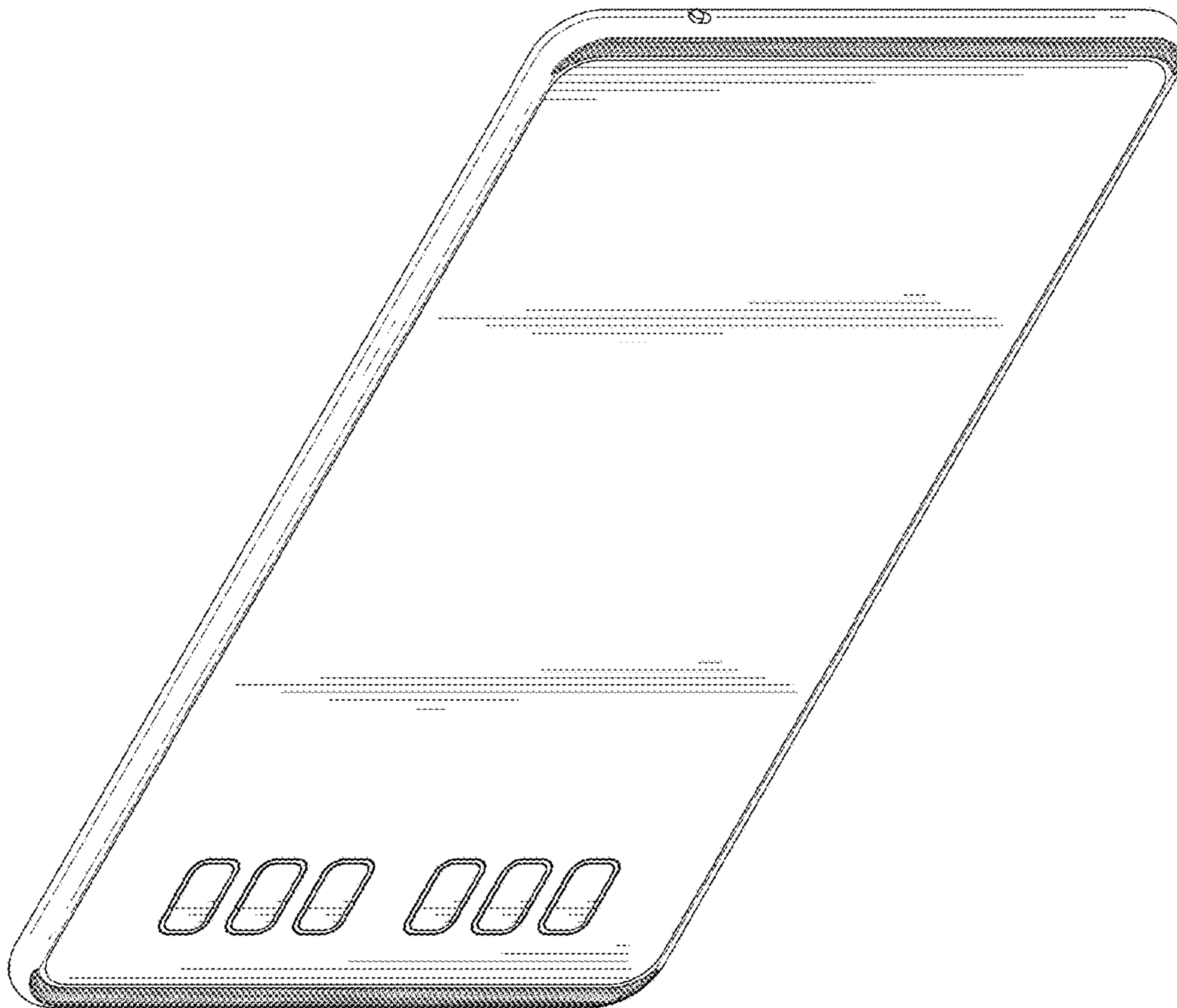


Fig. 1

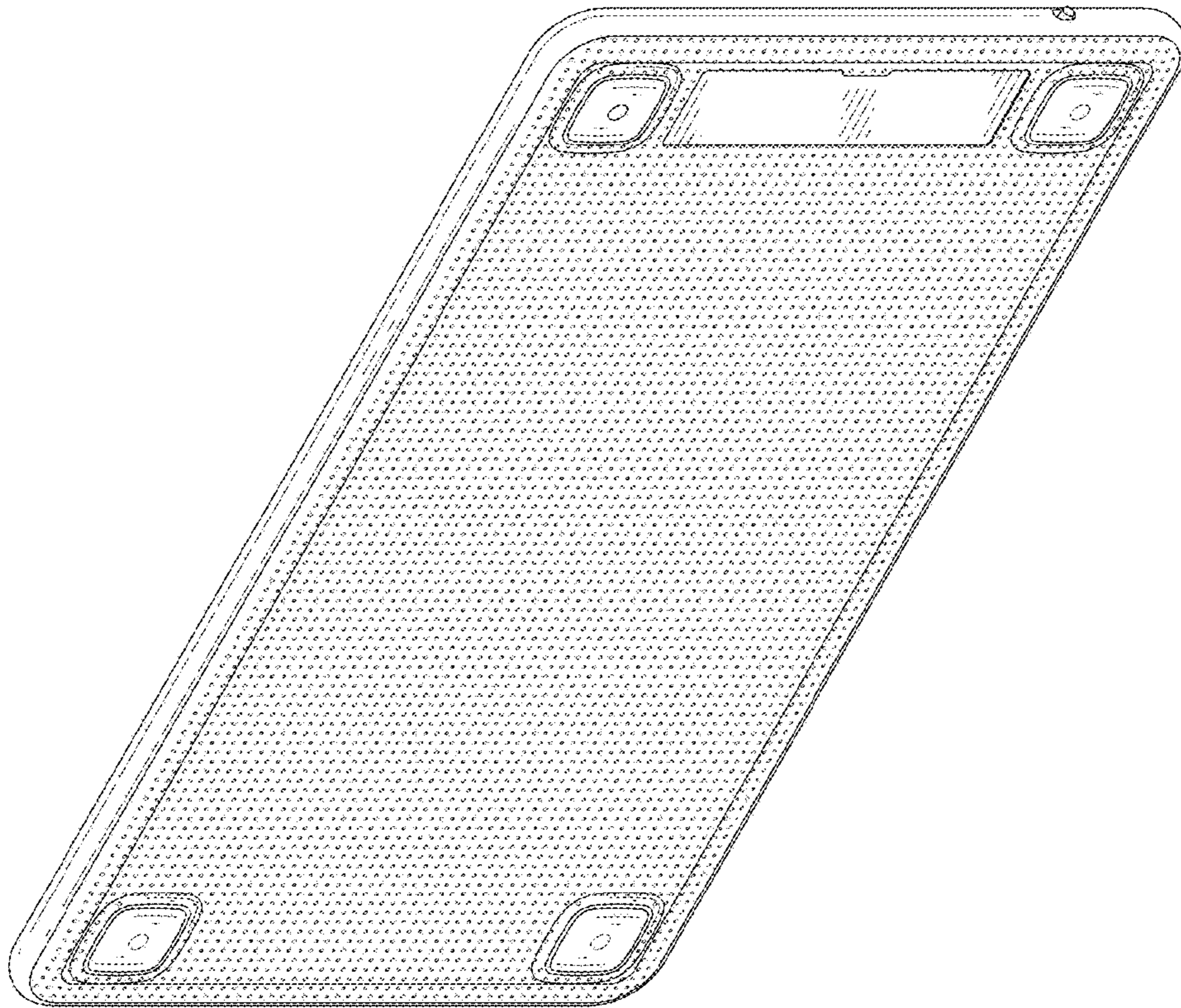


Fig. 2

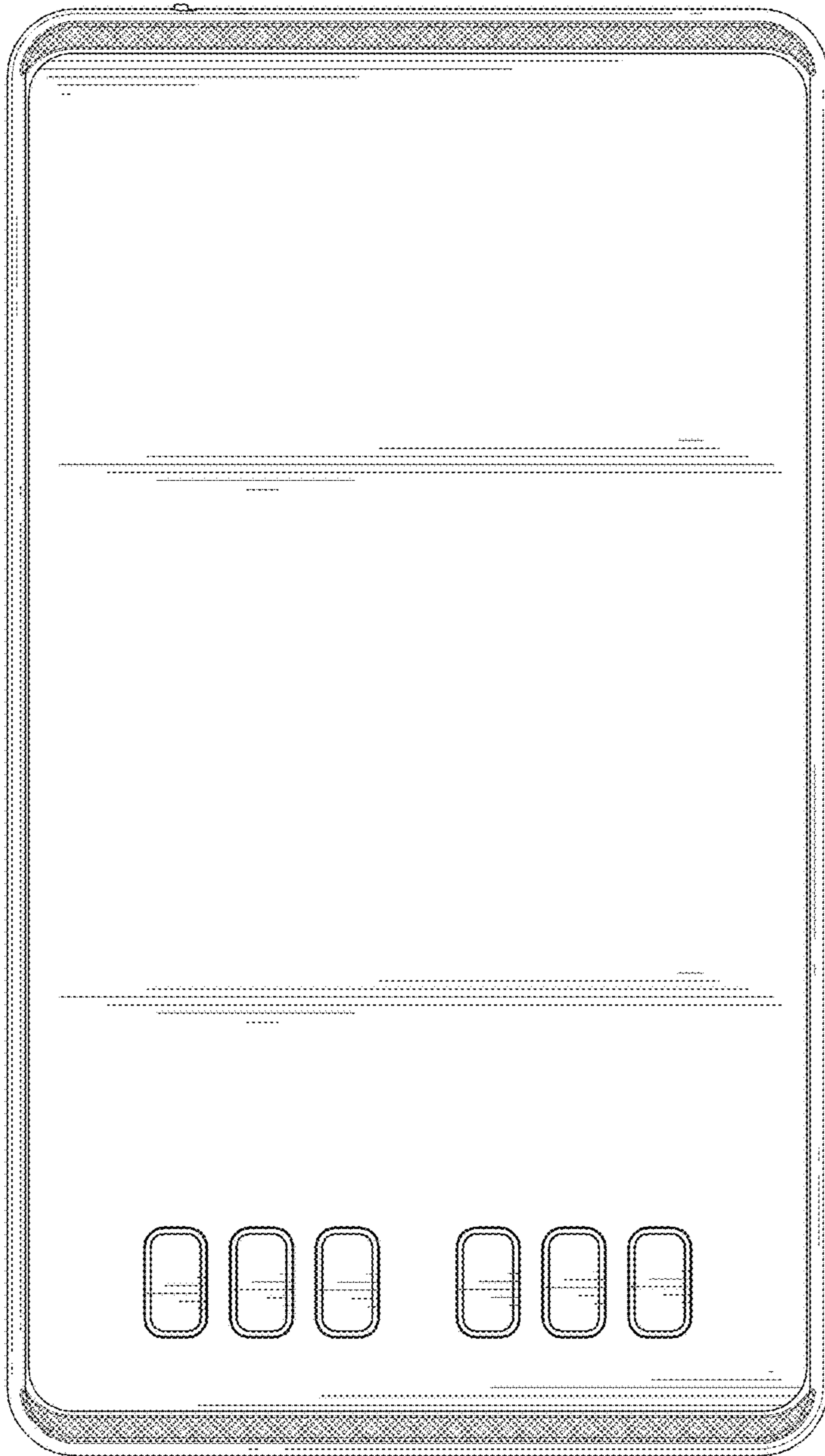


Fig. 3

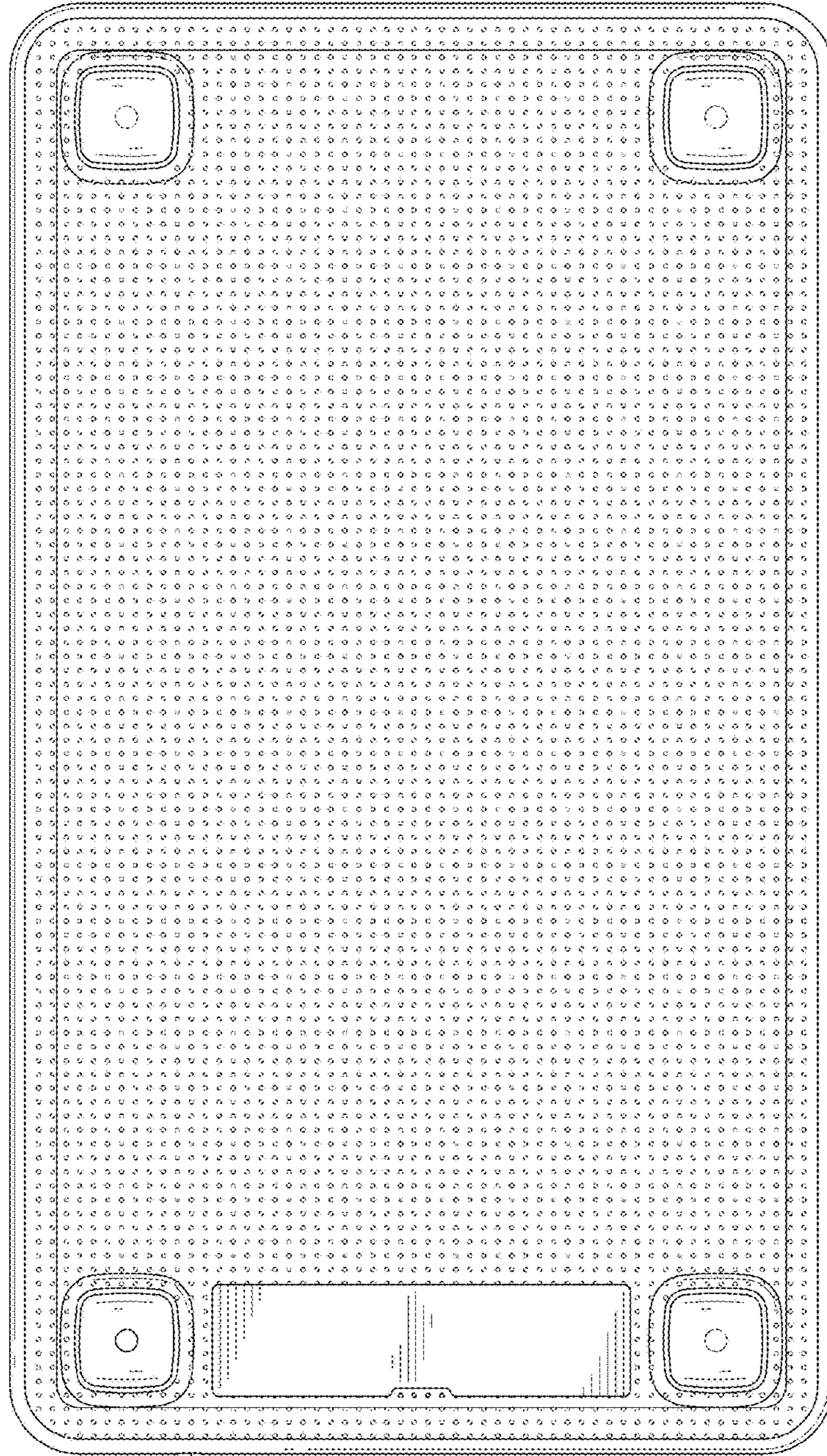


Fig. 4

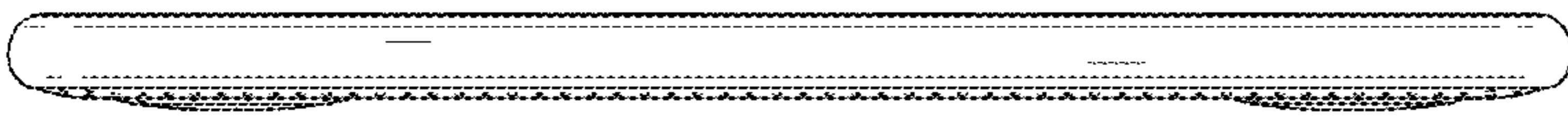


Fig. 5

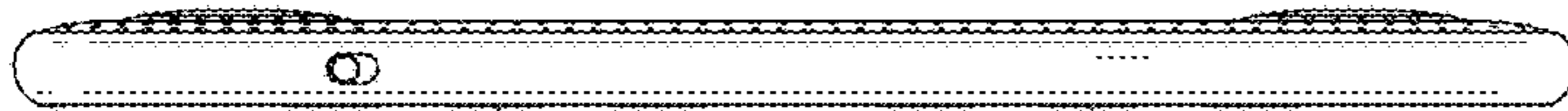


Fig. 6



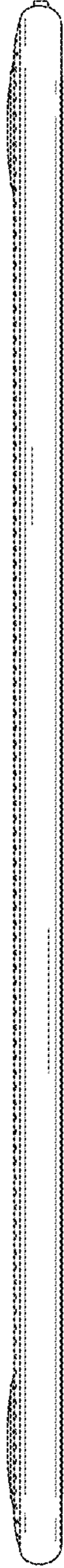


Fig. 7

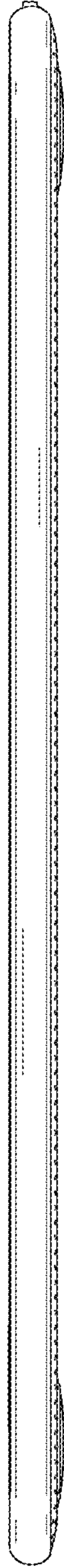


Fig. 8

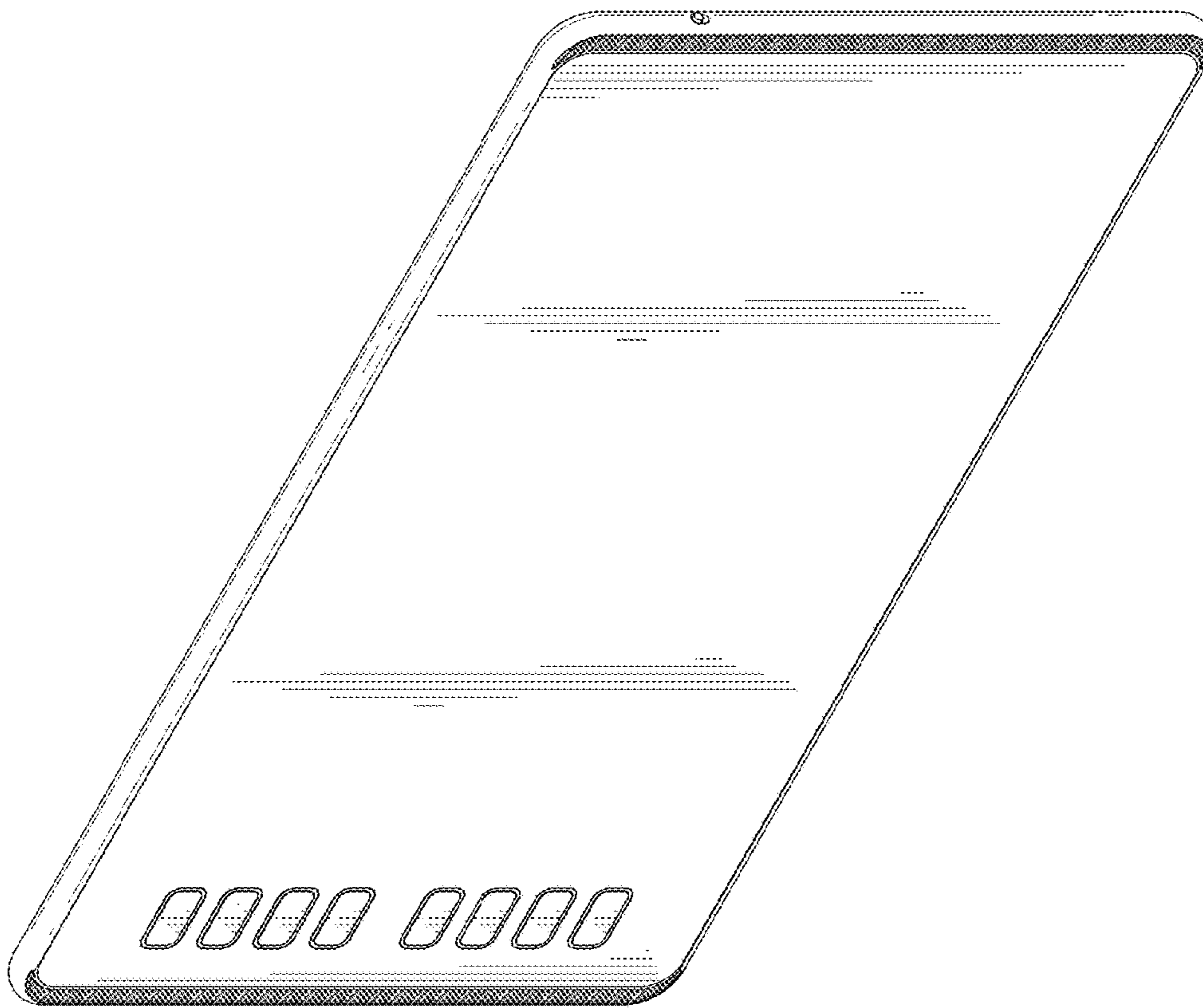


Fig. 9

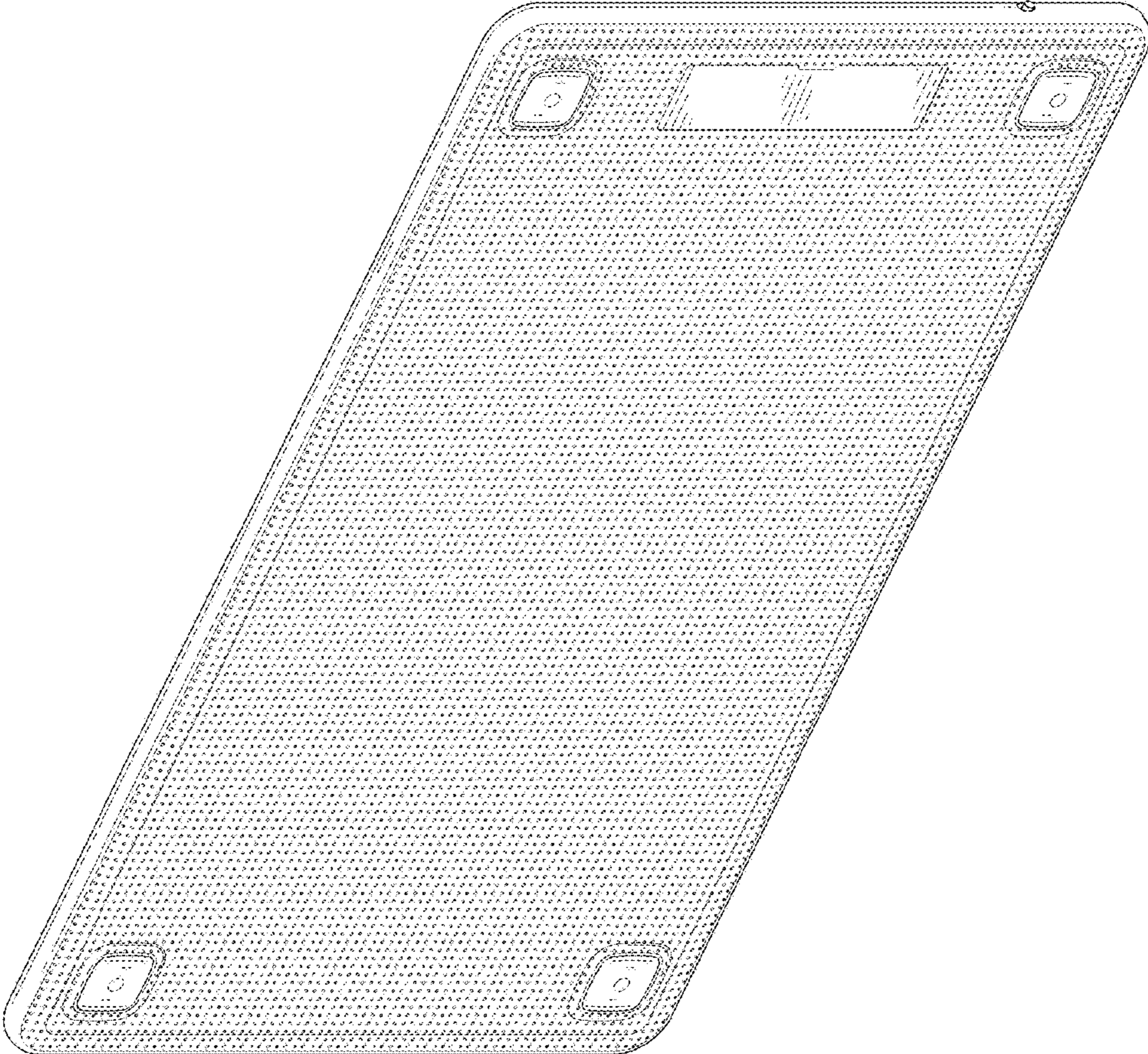


Fig. 10

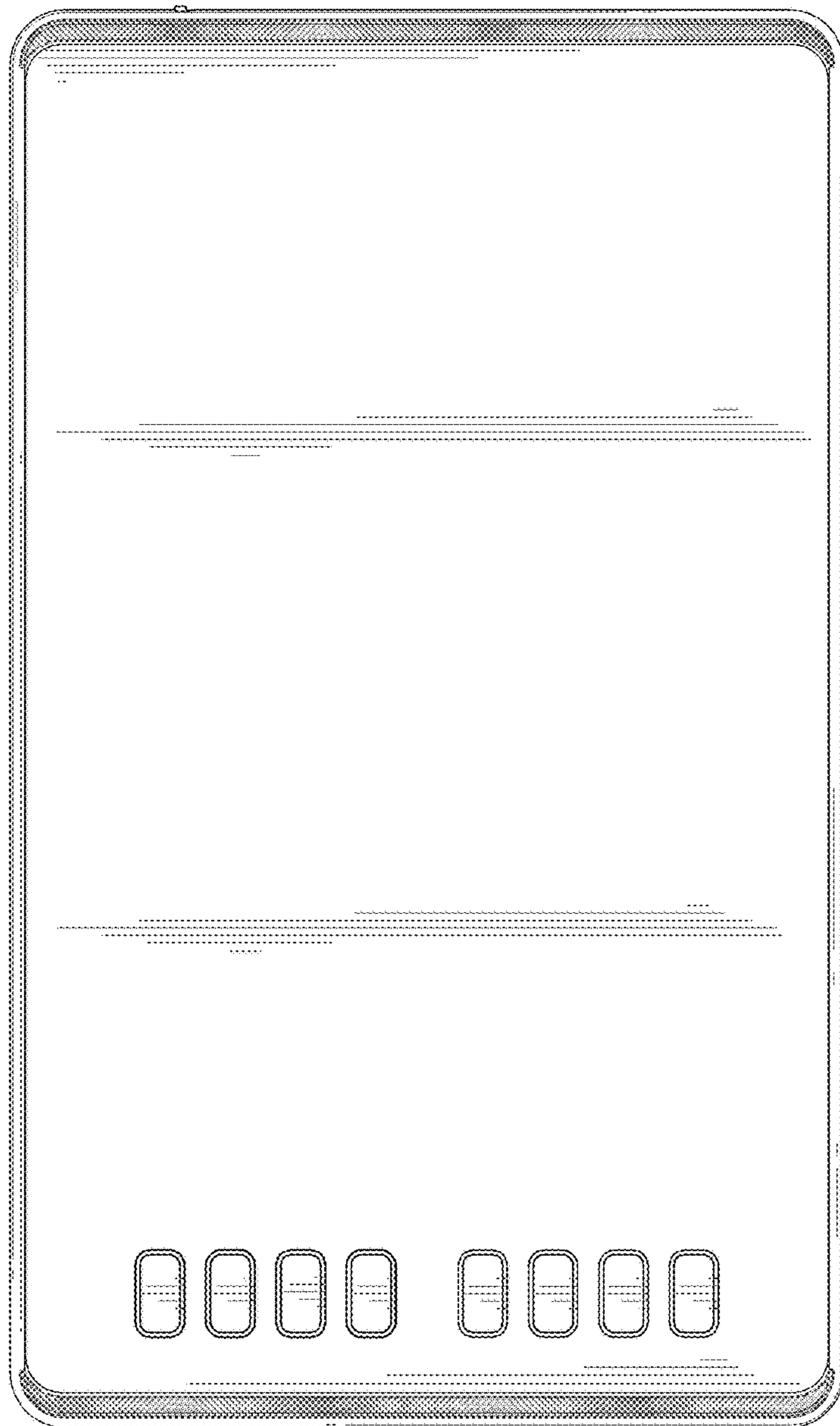


Fig. 11

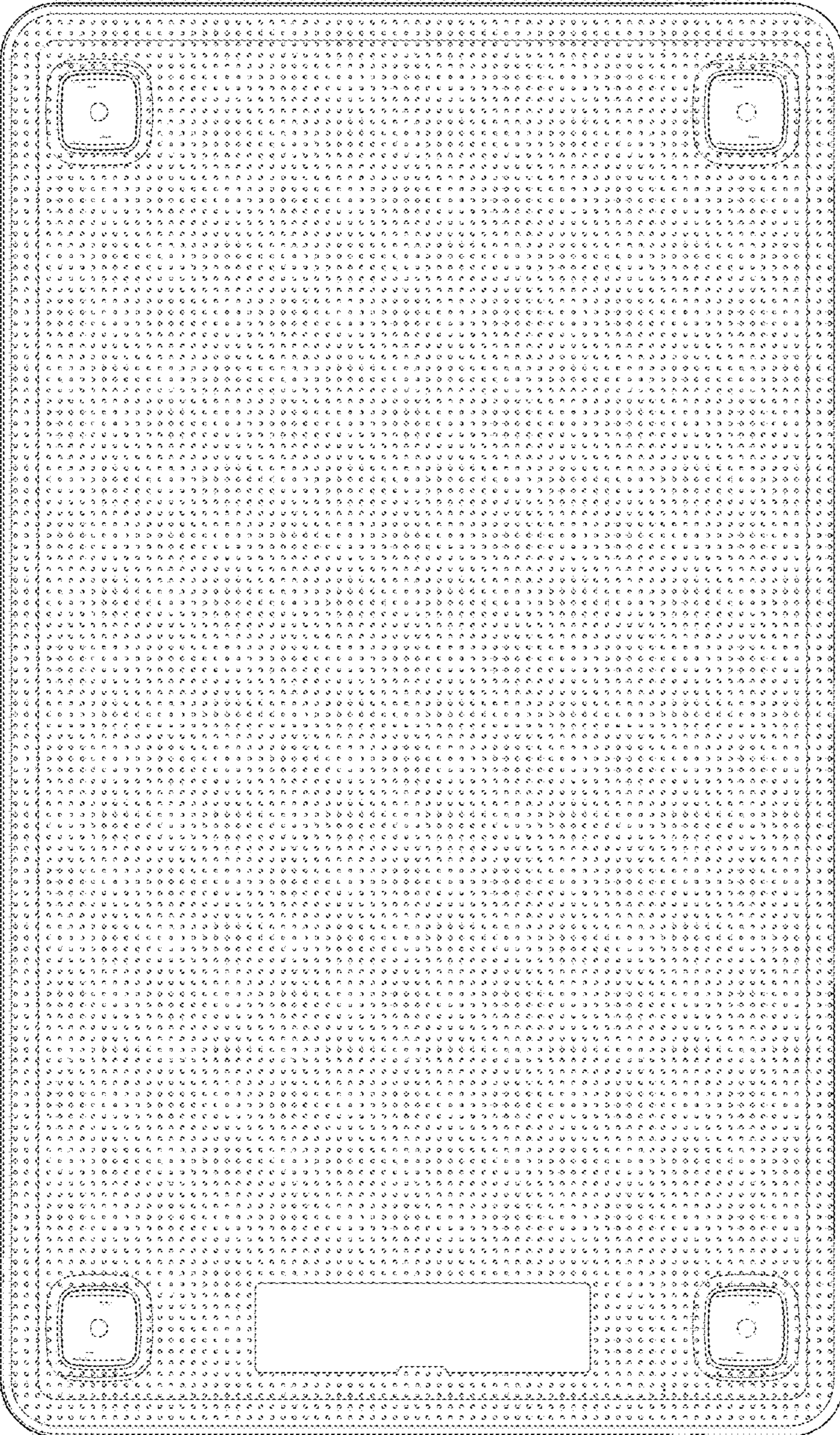


Fig. 12

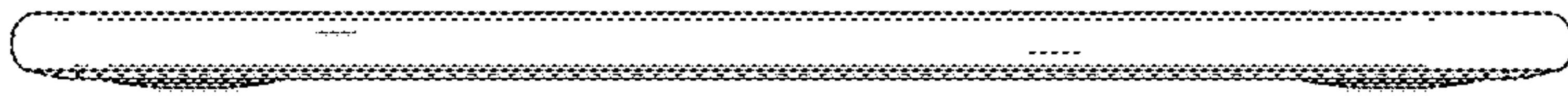


Fig. 13

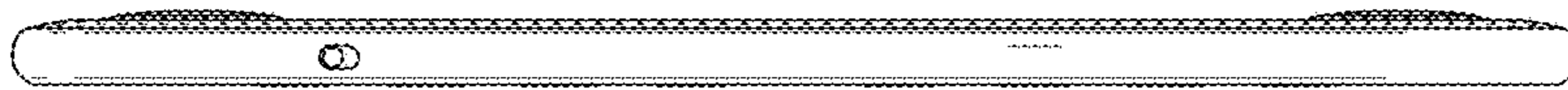


Fig. 14





Fig. 15

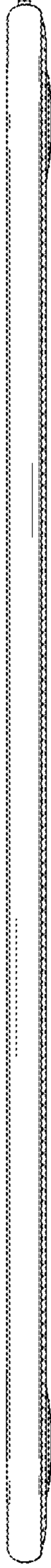


Fig. 16