



US00D844608S

(12) **United States Design Patent**
Chen et al.

(10) **Patent No.:** **US D844,608 S**

(45) **Date of Patent:** **** Apr. 2, 2019**

(54) **ELECTRONIC INPUT DEVICE**

(71) Applicant: **Facebook Technologies, LLC**, Menlo Park, CA (US)

(72) Inventors: **Yi-Yaun Chen**, Seattle, WA (US); **Peter Wesley Bristol**, Seattle, WA (US)

(73) Assignee: **Facebook Technologies, LLC**, Menlo Park, CA (US)

(**) Term: **15 Years**

(21) Appl. No.: **29/602,272**

(22) Filed: **Apr. 28, 2017**

(51) **LOC (11) Cl.** **14-02**

(52) **U.S. Cl.**
USPC **D14/388**; D21/333; D14/400

(58) **Field of Classification Search**
USPC D14/388, 218, 454, 299, 496, 400, 401, D14/402, 405, 409, 410, 412; D21/333; D13/168

CPC A63F 13/24; A63F 13/213; A63F 13/214; A63F 13/00; A63F 13/212; A63F 13/20; G06F 3/014; G06F 3/017; G06F 3/02; G06F 3/03547; G06F 3/03549; G06F 3/041; G06F 3/0416; G06F 3/044; G06F 3/047; G05G 9/047

See application file for complete search history.

(56) **References Cited**

U.S. PATENT DOCUMENTS

D327,674 S	*	7/1992	Kuo	D14/412
D366,655 S	*	1/1996	Sanchez	D14/412
D368,901 S	*	4/1996	Currid	D14/417
D380,473 S	*	7/1997	Otani	D14/218
D383,134 S	*	9/1997	Patton	D14/218
D385,537 S	*	10/1997	Walker	D14/388
D405,071 S	*	2/1999	Gambaro	D14/347

(Continued)

FOREIGN PATENT DOCUMENTS

CN	303870834 S	9/2017
JP	1235697 S	4/2005
JP	1551686 S	6/2016

OTHER PUBLICATIONS

Virtual reality remotes. (Design—© Questel) orbit.com.[online PDF] 17 pgs. Print Dates range Jun. 26, 2016 to Jun. 26, 2018. [Retrieved on Aug. 29, 2018] <https://sobjprd.questel.fr/export/QPTUJ214/pdf2/79b3e79e-ea92-4639-96ae-0fc6086dfcb3-230807.pdf>*

Primary Examiner — Marie D. Fast Horse

(74) *Attorney, Agent, or Firm* — Fenwick & West LLP

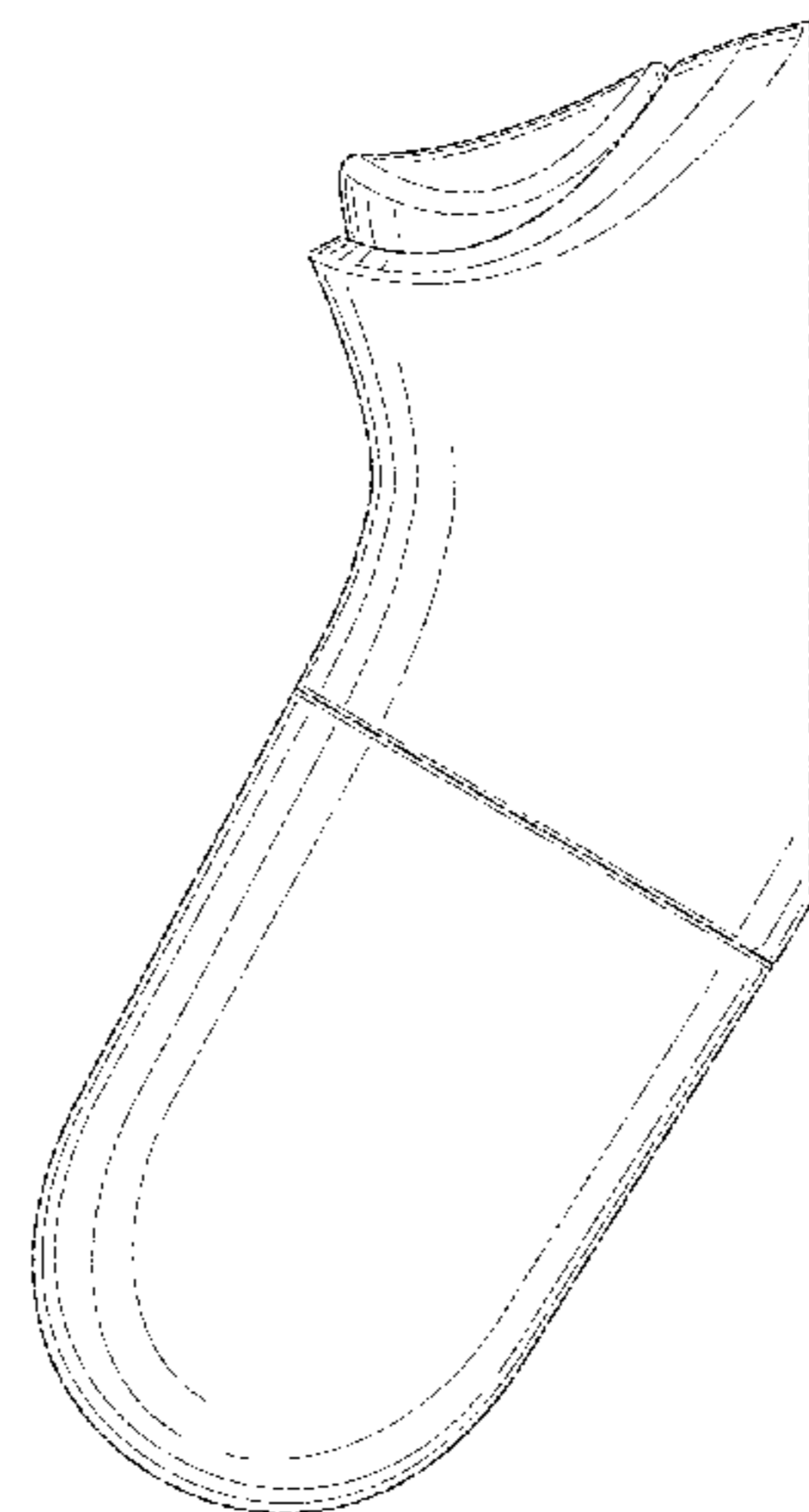
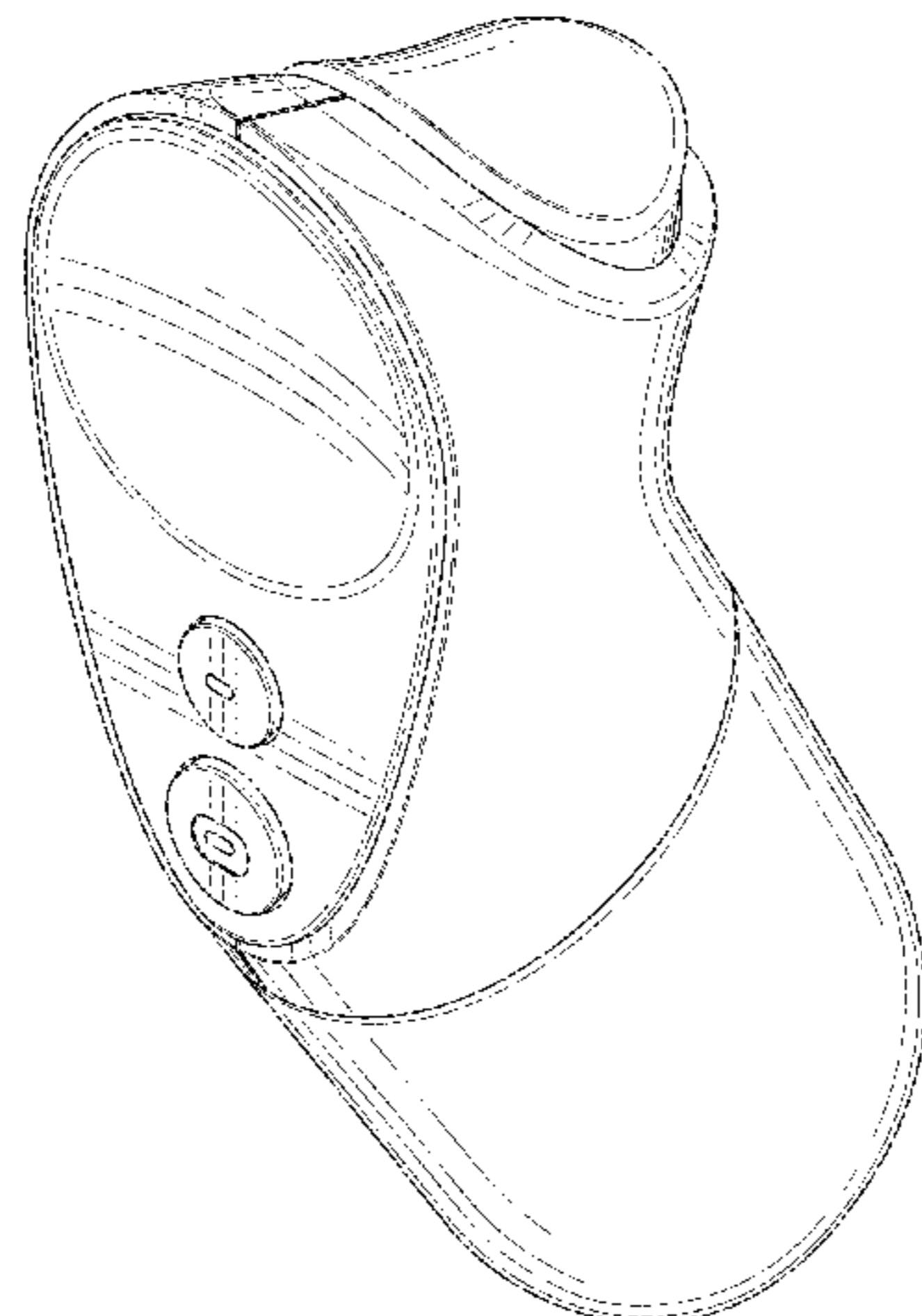
(57) **CLAIM**

The ornamental design for an electronic input device, as shown and described.

DESCRIPTION

FIG. 1 is a perspective view of a first embodiment of an electronic input device;
FIG. 2 is a front view thereof;
FIG. 3 is a rear view thereof;
FIG. 4 is a left side view thereof;
FIG. 5 is a right side view thereof;
FIG. 6 is a top view thereof; and
FIG. 7 is a bottom view thereof.
FIG. 8 is a perspective view of a second embodiment of an electronic input device;
FIG. 9 is a front view thereof;
FIG. 10 is a rear view thereof;
FIG. 11 is a left side view thereof;
FIG. 12 is a right side view thereof;
FIG. 13 is a top view thereof; and
FIG. 14 is a bottom view thereof.
The broken lines in the figures depict portions of the electronic input device that form no part of the claimed design.

1 Claim, 14 Drawing Sheets



(56)

References Cited

U.S. PATENT DOCUMENTS

5,894,303	A *	4/1999	Barr	G06F 3/03543			
						345/163		
D420,006	S *	2/2000	Tonino		D14/218		
D441,367	S *	5/2001	Alviar		D14/412		
D444,785	S *	7/2001	Whitehorn		D14/412		
D450,702	S *	11/2001	Sagawa		D14/412		
D466,510	S *	12/2002	Yang		D14/402		
D494,584	S *	8/2004	Schlieffers		D14/346		
D494,592	S *	8/2004	Zicolello		D14/409		
D540,882	S *	4/2007	Crook		D21/333		
D556,201	S *	11/2007	Ashida		D21/333		
D556,760	S *	12/2007	Ashida		D21/333		
D567,243	S *	4/2008	Ashida		D21/333		
D575,284	S *	8/2008	Ashida		D21/333		
D575,285	S *	8/2008	Ashida		D21/333		
D579,015	S *	10/2008	Ashida		D14/412		
D579,936	S *	11/2008	Hu		D14/412		
D584,312	S *	1/2009	Bishop		D14/412		
D587,713	S *	3/2009	Sutton		D21/333		
D589,515	S *	3/2009	Brunner		D14/412		
D594,065	S *	6/2009	Oikawa		D21/333		
D594,066	S *	6/2009	Oikawa		D21/333		
D594,067	S *	6/2009	Oikawa		D21/333		
D602,097	S *	10/2009	Oikawa		D21/333		
D603,841	S *	11/2009	Foley		D14/218		
D611,477	S *	3/2010	Brunner		D14/412		
D620,925	S *	8/2010	Geck		D14/218		
D636,772	S *	4/2011	Cheng		D14/400		
D638,841	S *	5/2011	Musick, Jr.		D14/412		
D669,885	S *	10/2012	Kim		D14/218		
D671,919	S *	12/2012	Kim		D14/218		
D690,684	S *	10/2013	Lee		D14/218		
D691,217	S *	10/2013	Condon		D21/566		
D693,333	S *	11/2013	Joe		D14/218		
D695,274	S *	12/2013	Barnsteiner		D14/218		
D696,668	S *	12/2013	Chen		D14/402		
D697,057	S *	1/2014	Kwon		D14/218		
D703,186	S *	4/2014	Zaslaysky		D14/218		
D713,528	S *	9/2014	Li		D24/158		
D715,774	S *	10/2014	Lee		D14/218		
D716,767	S *	11/2014	Lee		D14/218		
D716,768	S *	11/2014	Lee		D14/218		
D717,279	S *	11/2014	Wai		D14/218		
D723,008	S *	2/2015	Kim		D14/218		
D734,743	S *	7/2015	Geck		D14/218		
D753,235	S *	4/2016	Choi		D14/401		
D753,236	S *	4/2016	Choi		D21/333		
D772,821	S *	11/2016	Bristol		D13/168		
D772,986	S *	11/2016	Chen		D21/333		
D776,091	S *	1/2017	Spio		D14/218		
D776,640	S *	1/2017	Simonian		D14/218		
D779,487	S *	2/2017	Rothfuß		D14/388		
D780,807	S *	3/2017	Chen		D21/333		
D784,990	S *	4/2017	Huang		D14/400		
D790,483	S *	6/2017	Yoon		D13/168		
D790,484	S *	6/2017	Bristol		D13/168		
D795,959	S *	8/2017	Chen		D14/203.3		
D797,743	S *	9/2017	Awad		D21/333		
D798,274	S *	9/2017	Huang		D14/218		
D798,275	S *	9/2017	Huang		D14/218		
D800,841	S *	10/2017	Chen		D21/333		
D802,055	S *	11/2017	Chen		D21/333		
D804,579	S *	12/2017	Britt		D21/333		
D804,580	S *	12/2017	Britt		D21/333		
D805,484	S *	12/2017	Bristol		D13/168		
D806,173	S *	12/2017	Britt		D21/333		
D810,083	S *	2/2018	Kirkland		D14/412		
D812,693	S *	3/2018	Chen		D21/333		
D813,203	S *	3/2018	Hardi		D14/218		
D814,370	S *	4/2018	Kim		D13/168		
D815,209	S *	4/2018	Chen		D21/333		
D815,210	S *	4/2018	Chen		D21/333		
D815,697	S *	4/2018	Chen		D21/333		
D817,300	S *	5/2018	Bristol		D21/333		
D817,408	S *	5/2018	Peng		D21/333		
D819,638	S *	6/2018	Lo		D14/388		
D820,263	S *	6/2018	Rebello		D14/426		
10,061,458	B1 *	8/2018	Bristol	G06F 3/044			
2016/0363996	A1 *	12/2016	Higgins	G06F 3/014			
2017/0135236	A1 *	5/2017	Tompkins	H05K 5/0221			
2017/0170446	A1 *	6/2017	Tompkins	H01M 2/34			
2017/0189798	A1 *	7/2017	Rogoza	A63F 13/24			
2018/0104576	A1 *	4/2018	Hope	A63F 13/24			
2018/0161670	A1 *	6/2018	Boev	A63F 13/24			

* cited by examiner

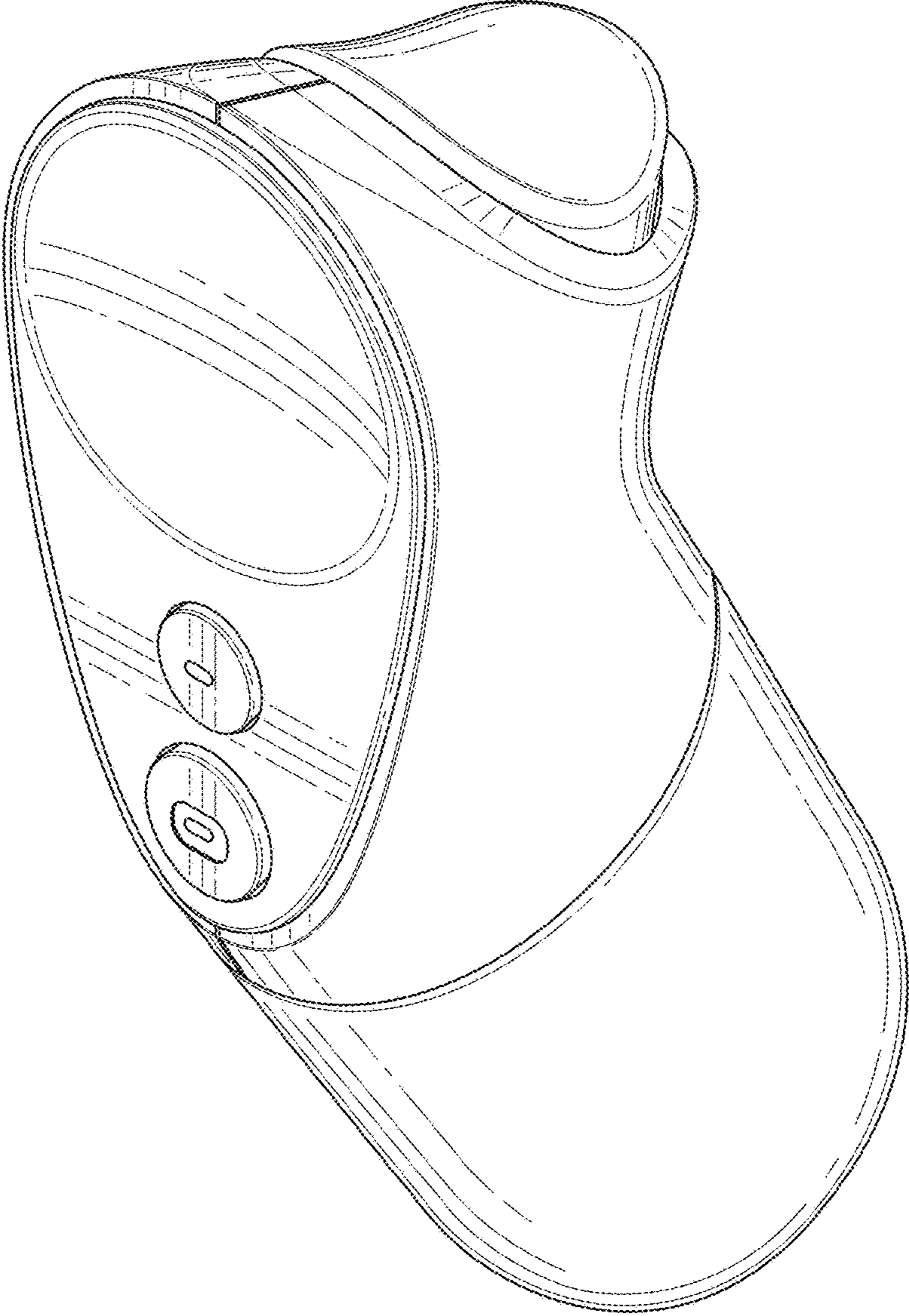


FIG. 1

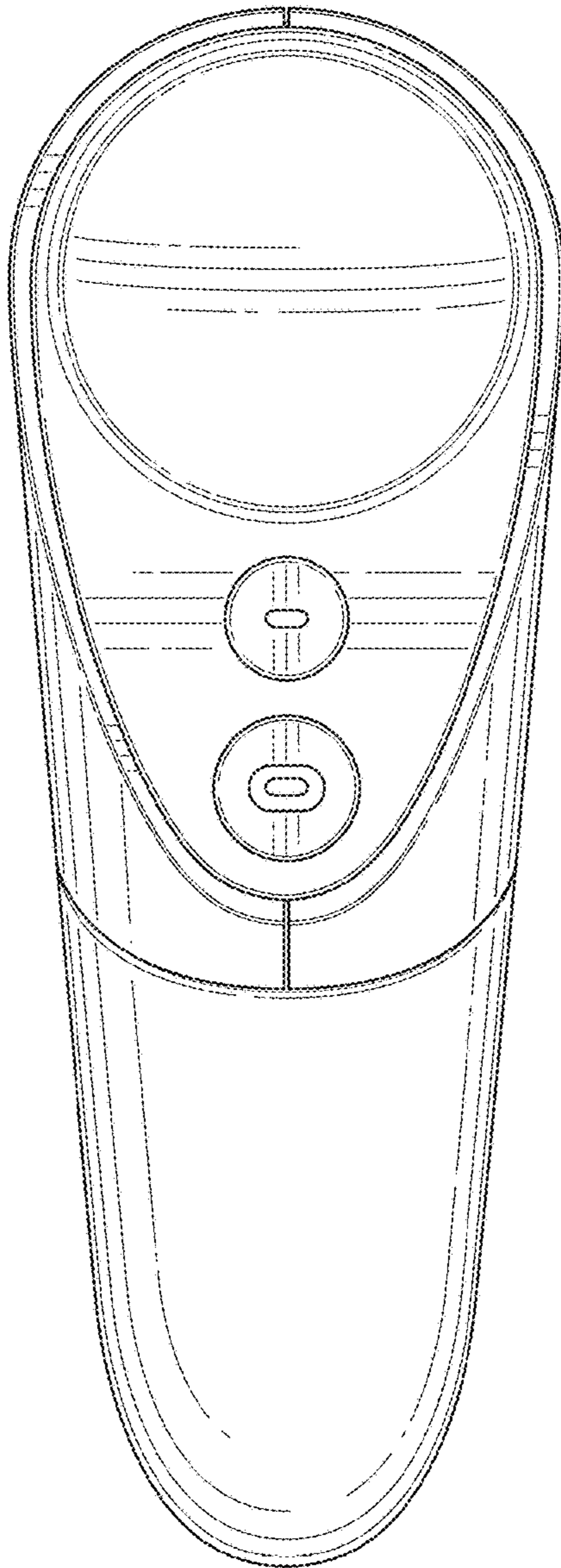


FIG. 2

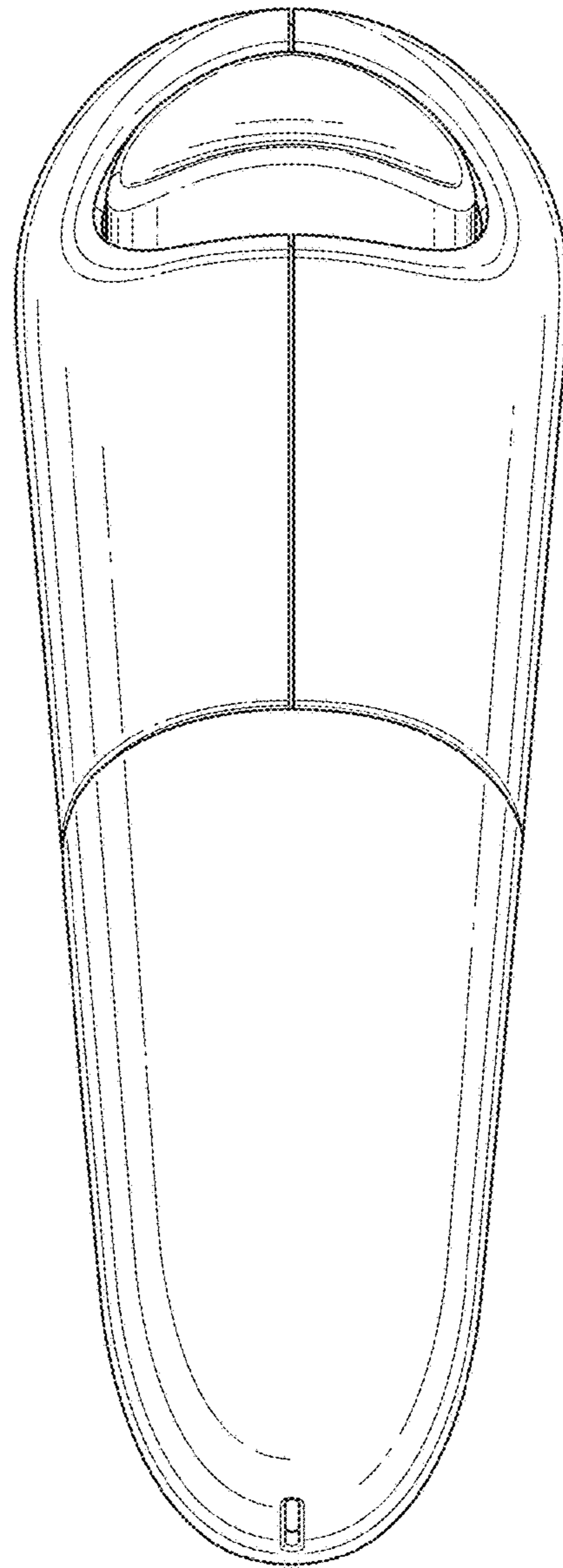


FIG. 3

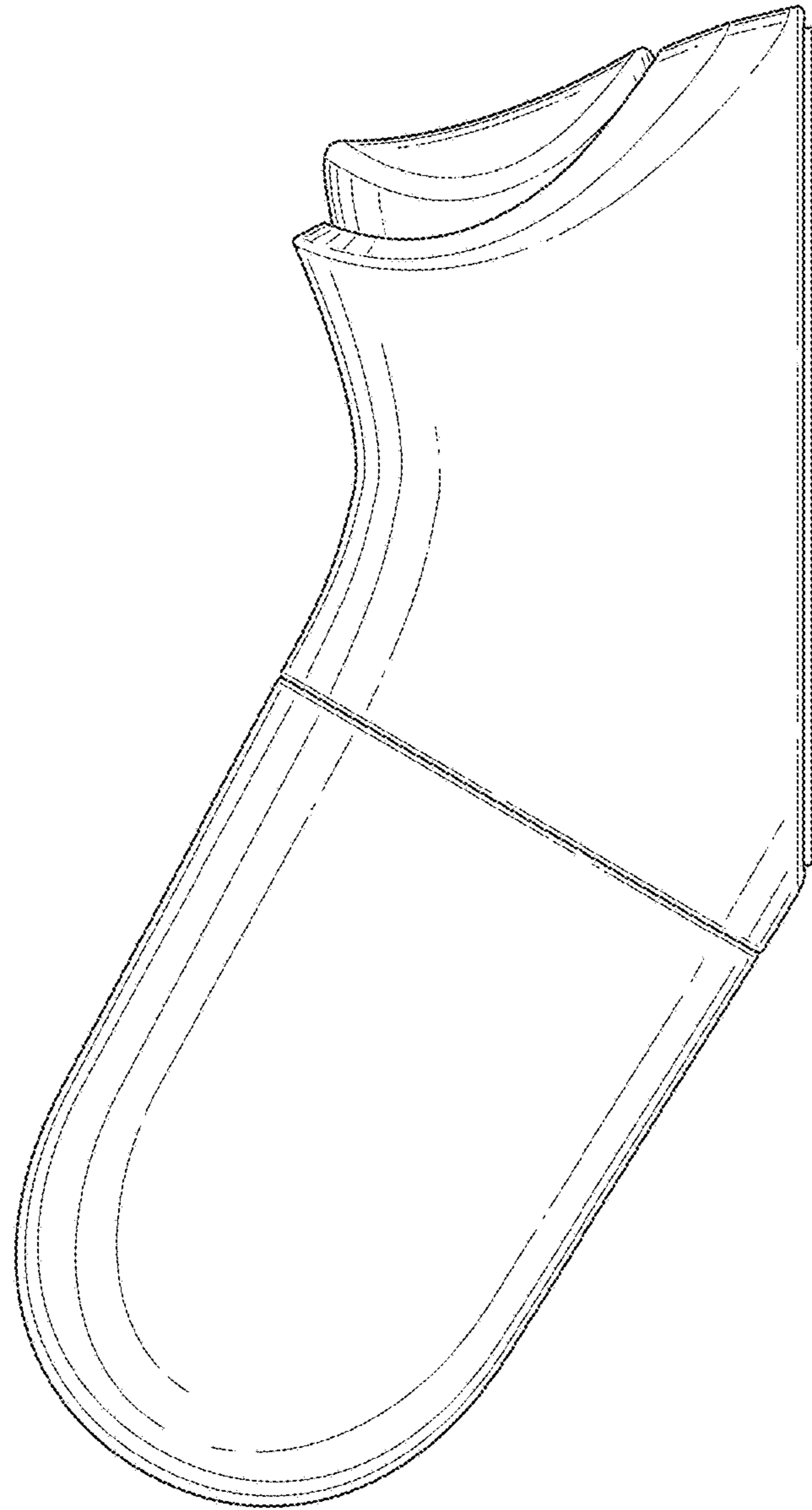


FIG. 4

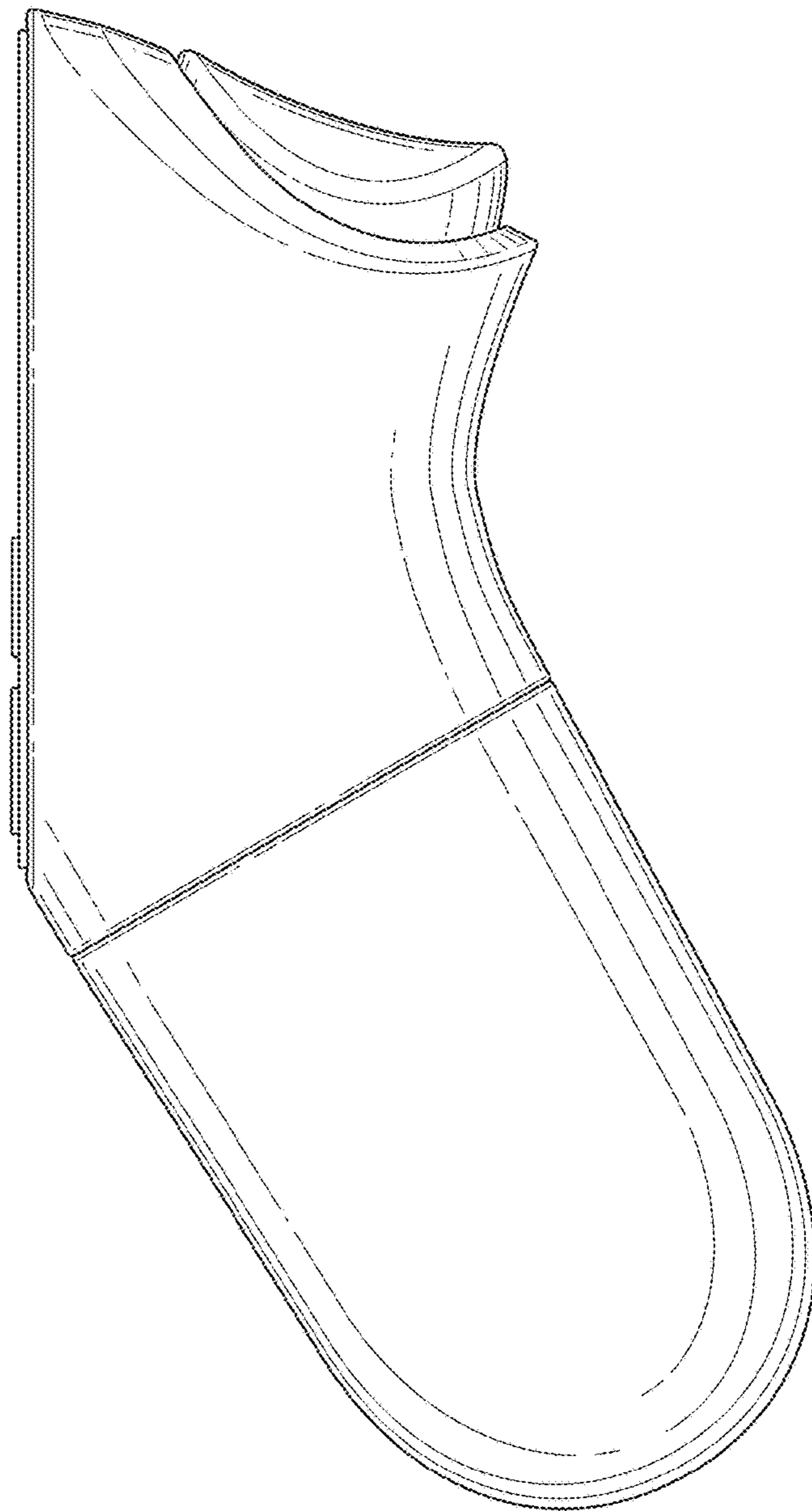


FIG. 5

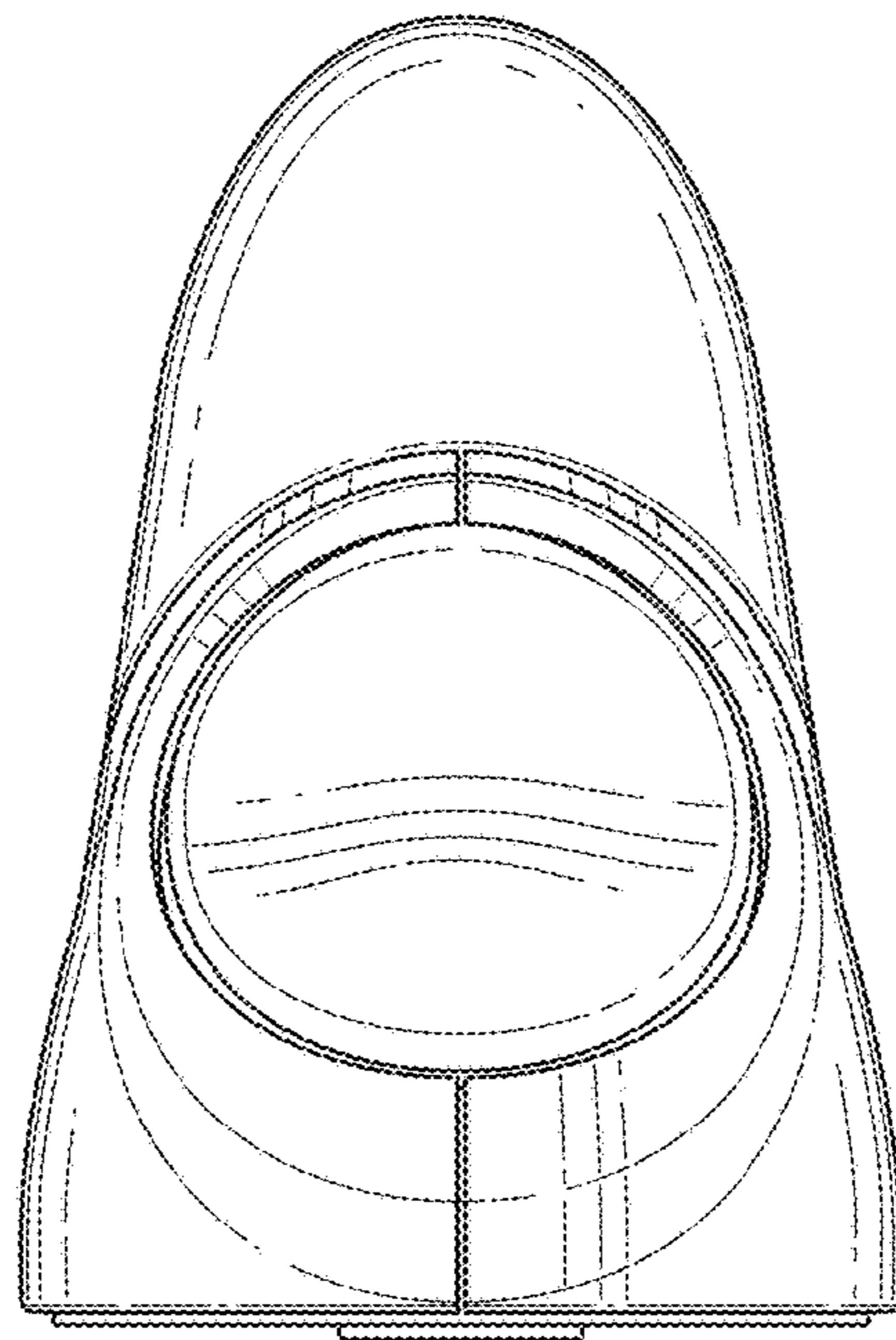


FIG. 6

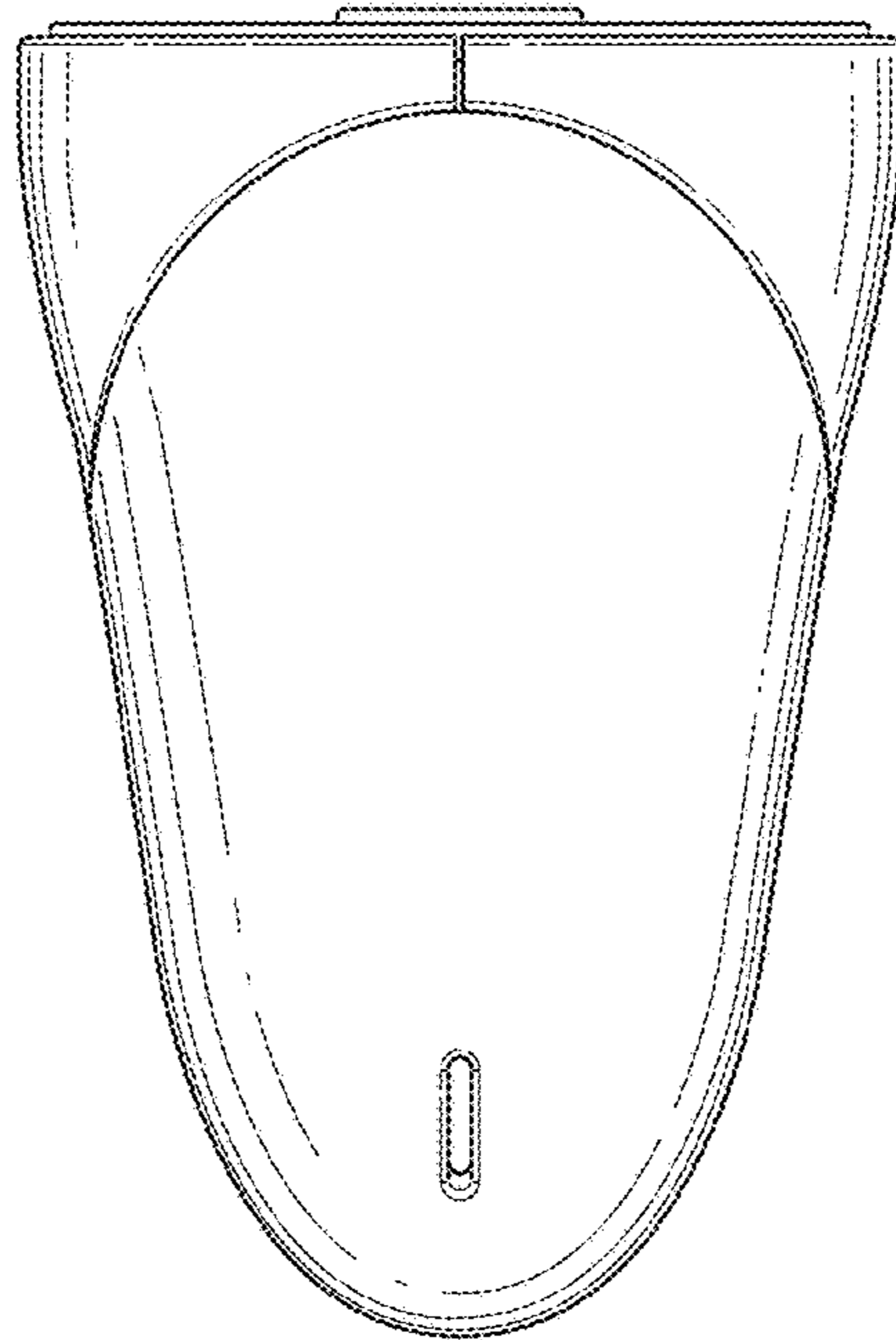


FIG. 7

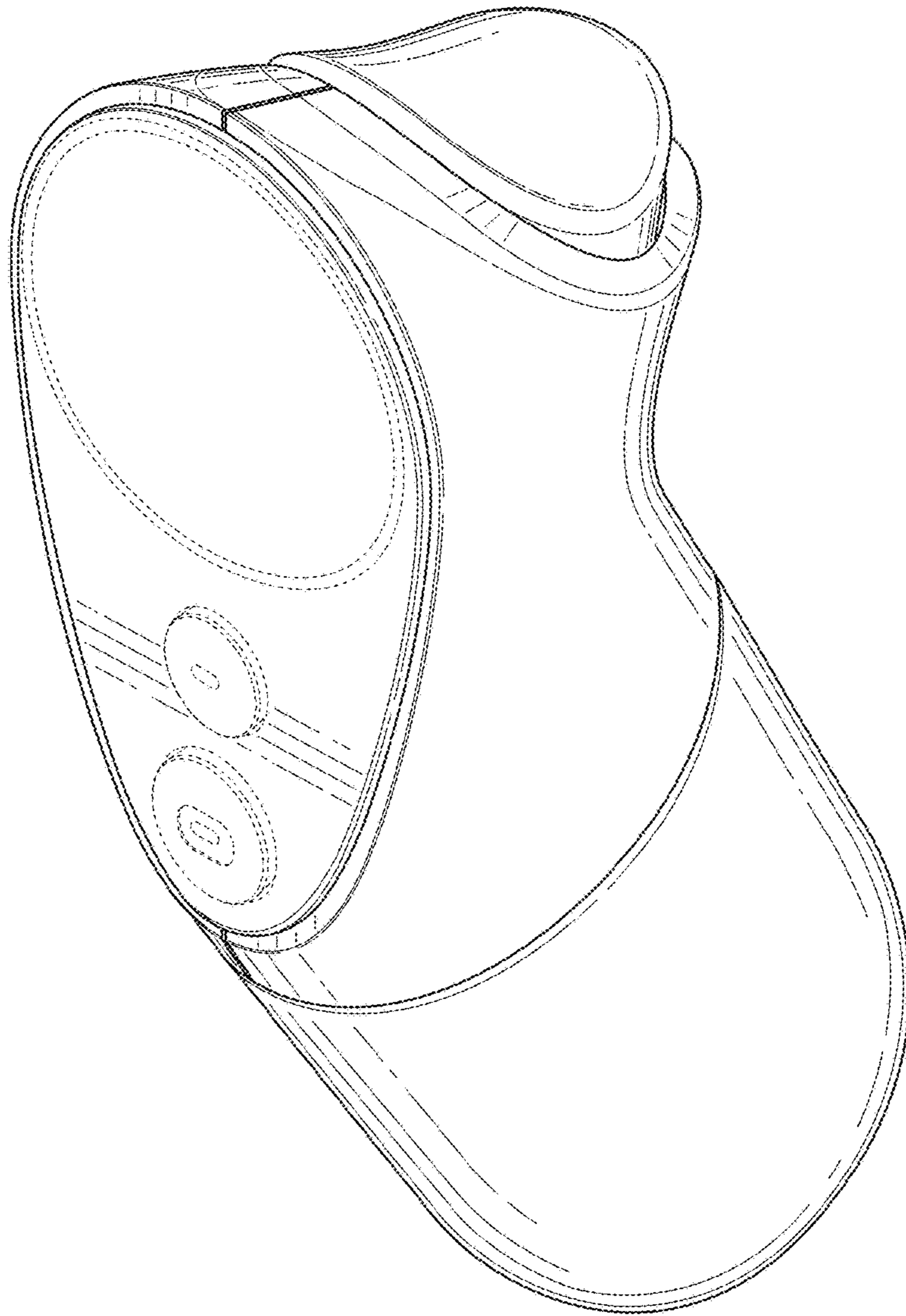


FIG. 8

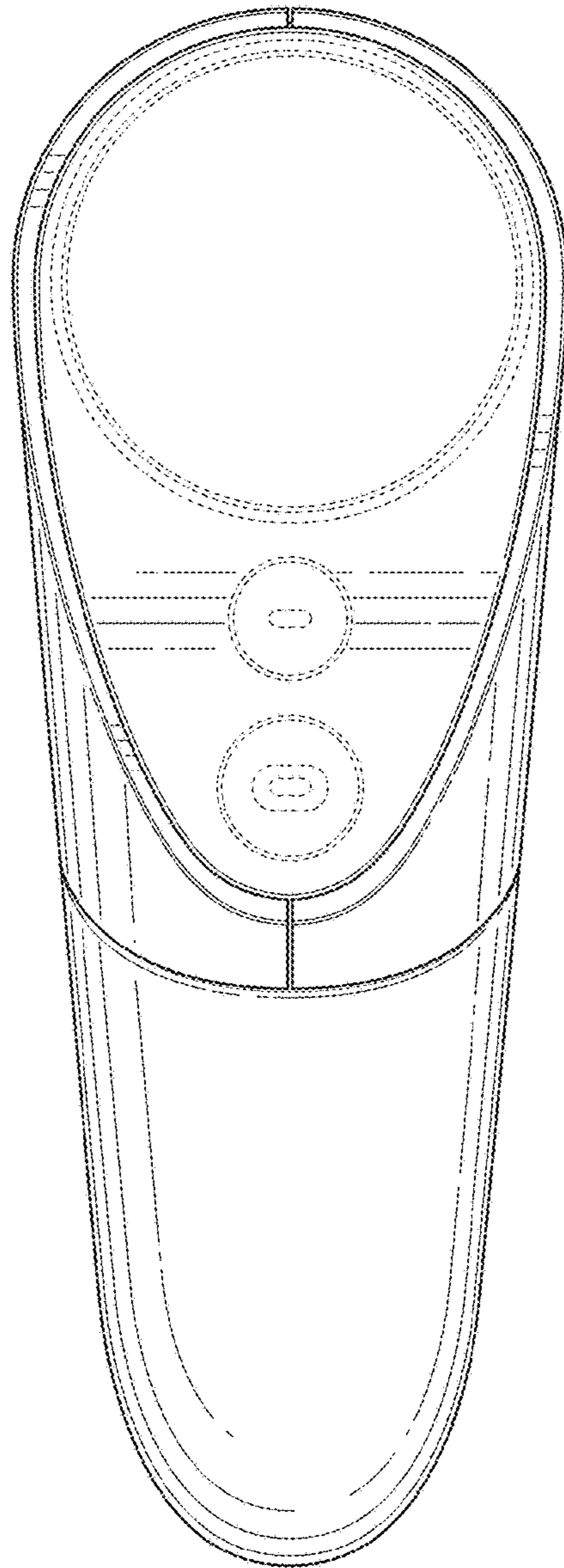


FIG. 9

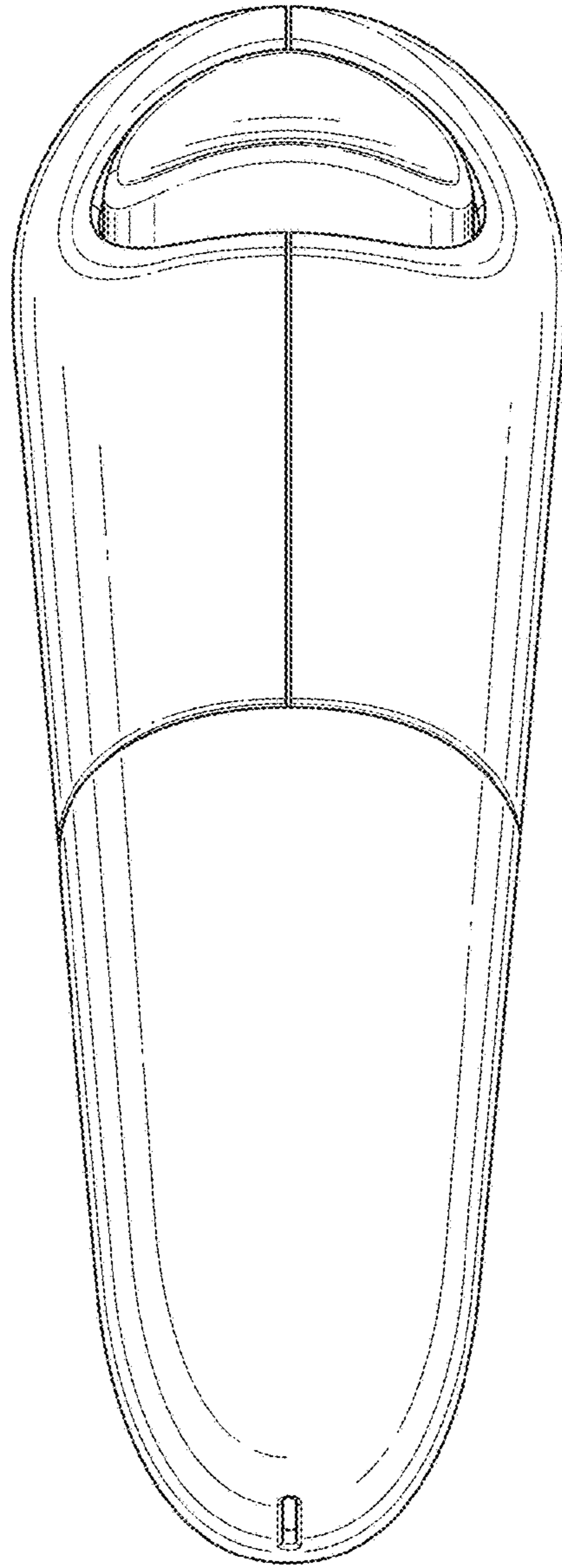


FIG. 10

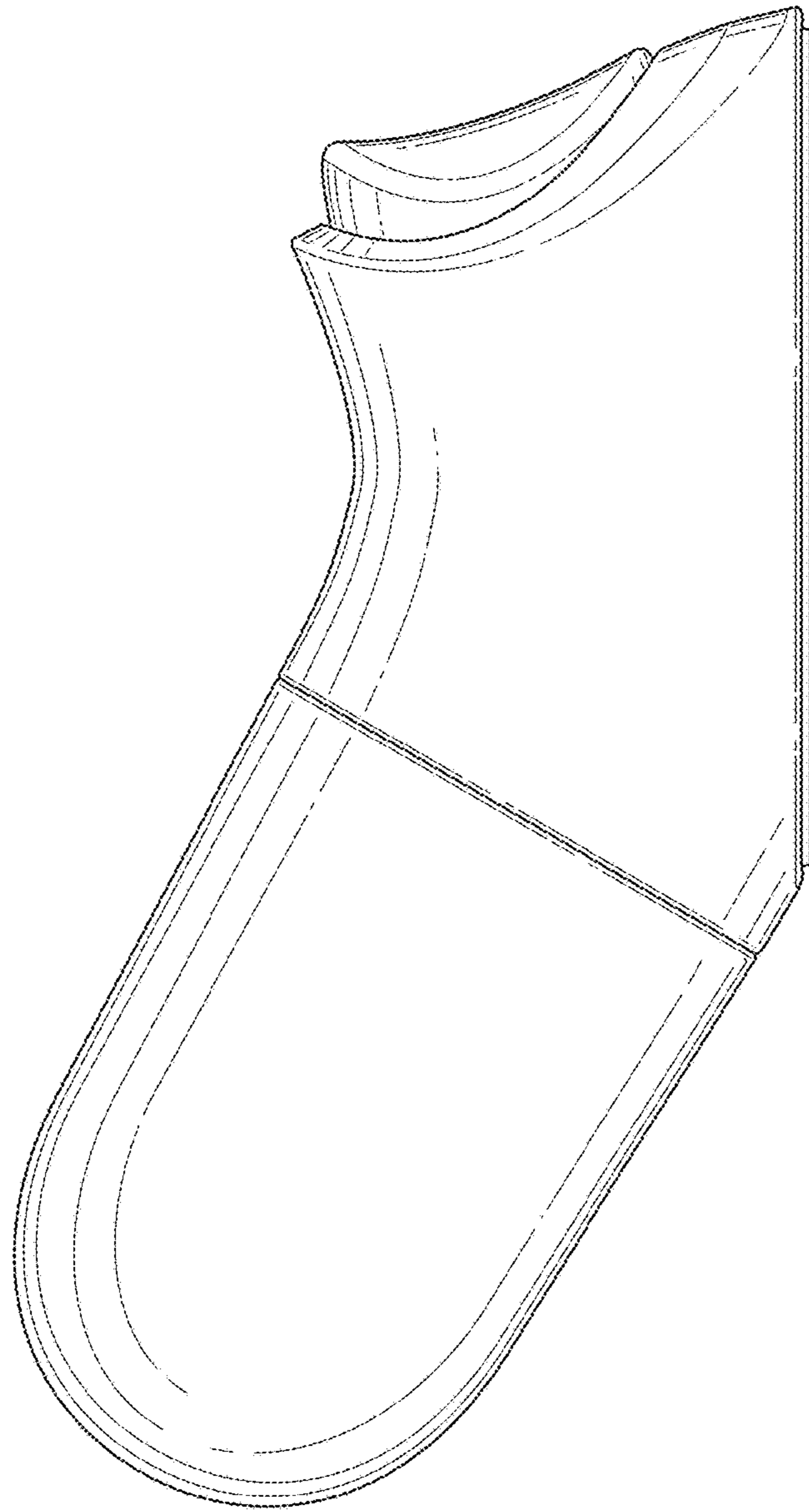


FIG. 11

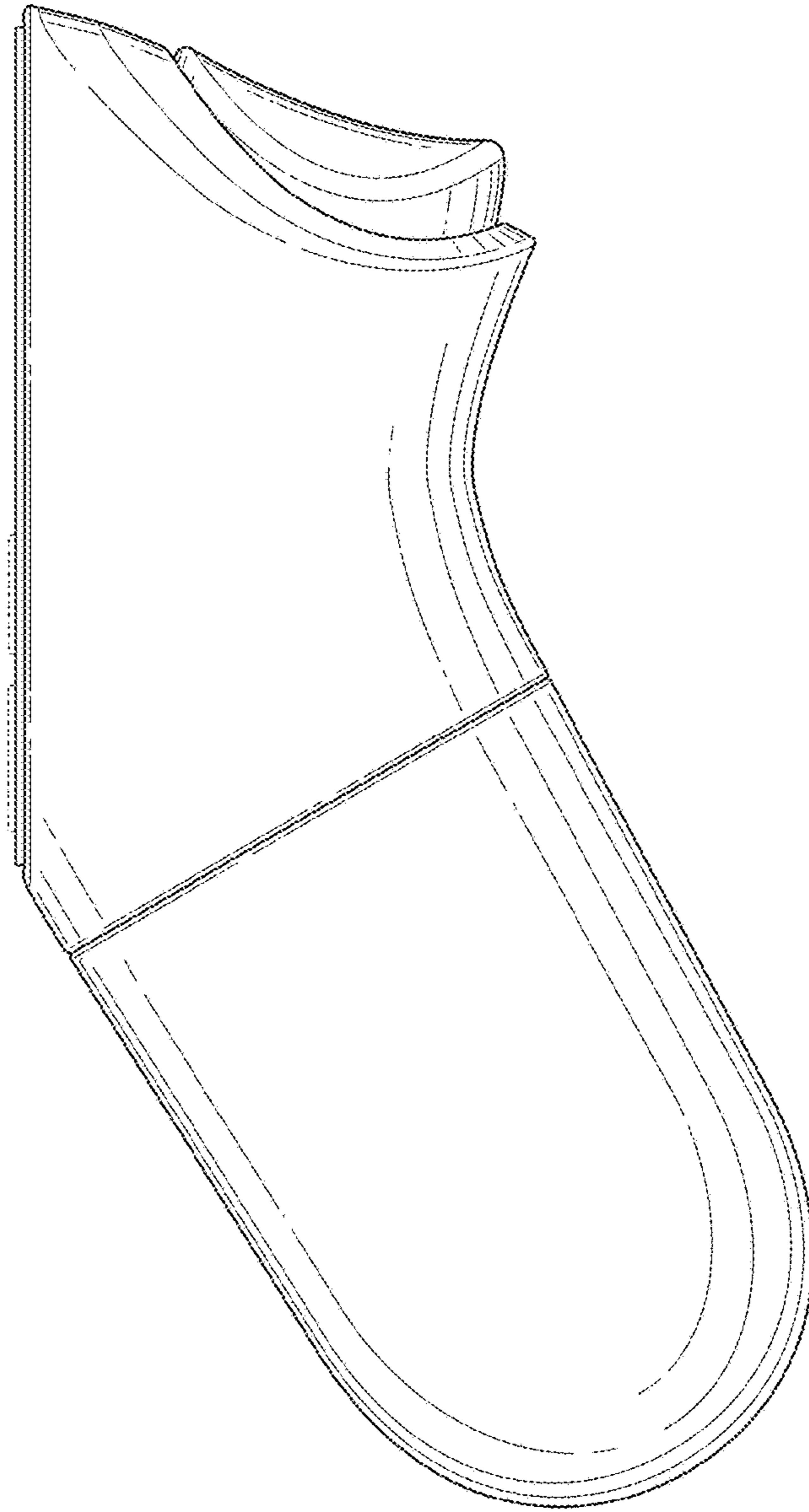


FIG. 12

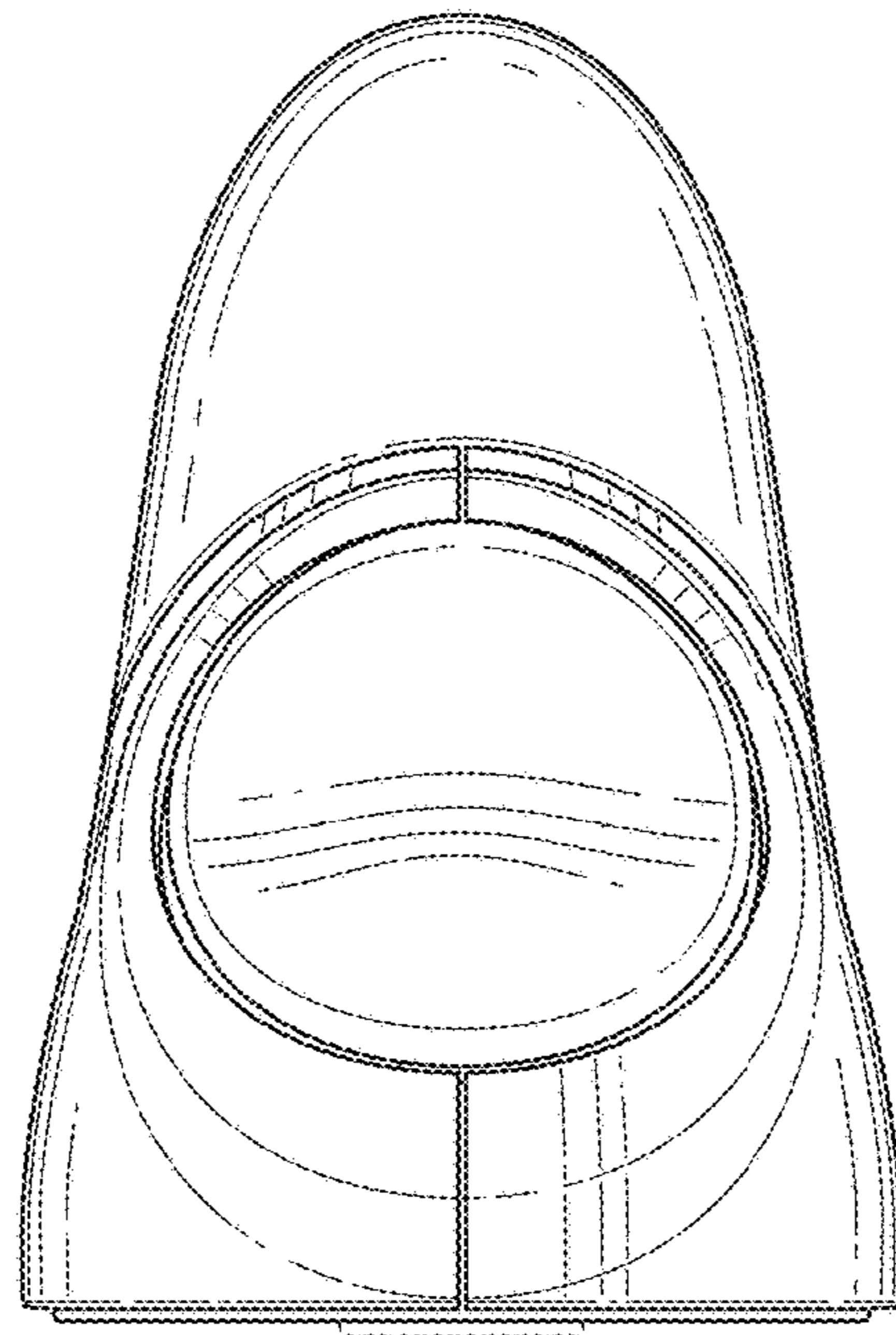


FIG. 13

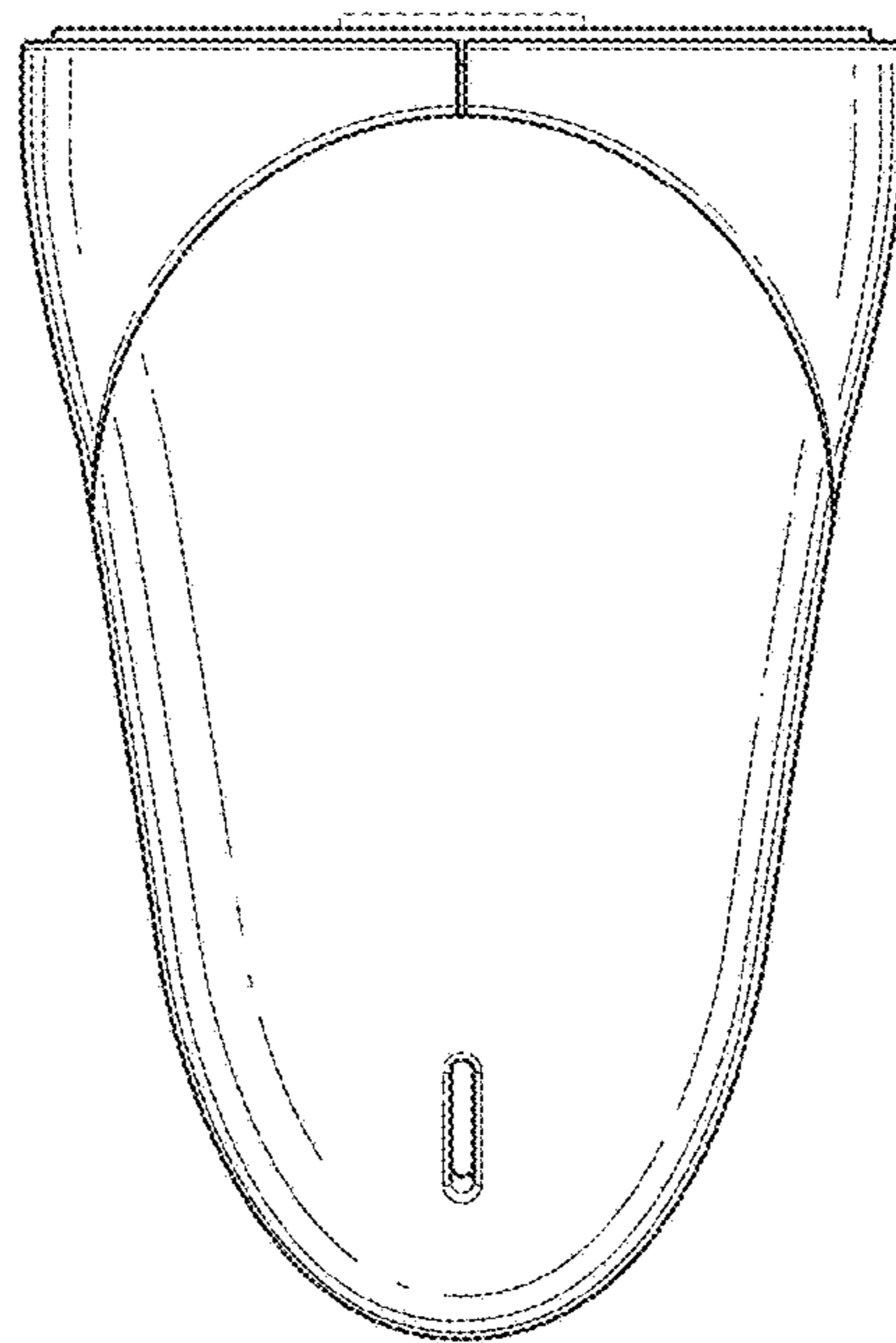


FIG. 14