



US00D844607S

(12) **United States Design Patent**  
**Fredette et al.**

(10) **Patent No.:** **US D844,607 S**

(45) **Date of Patent:** **\*\* Apr. 2, 2019**

(54) **ELECTRONIC DEVICE**

(71) Applicant: **TOAST, INC.**, Boston, MA (US)

(72) Inventors: **Stephen Fredette**, Boston, MA (US);  
**Yueyue Wang**, Boston, MA (US)

(73) Assignee: **TOAST, INC.**, Boston, MA (US)

(\*\*) Term: **15 Years**

(21) Appl. No.: **29/618,666**

(22) Filed: **Sep. 22, 2017**

(51) **LOC (11) Cl.** ..... **14-02**

(52) **U.S. Cl.**  
USPC ..... **D14/385**; D18/4.6; D14/341

(58) **Field of Classification Search**  
USPC ..... D18/4.4, 4.5, 4.6, 2, 11, 50, 14, 19-21,  
D18/54, 99; D14/300, 307, 338, 339,  
D14/341, 356, 357, 383, 385, 386, 388,  
D14/426, 453-455, 496, 507, 509, 510,  
D14/154, 155, 158, 168, 218, 225, 226,  
D14/248, 299, 137, 344; D10/46, 61, 62,  
D10/70, 104.1, 104.2, 106.2, 106.6, 65,  
D10/66; D20/1; D13/168  
CPC ..... H04W 8/22; H04W 52/0225; H04W  
52/0254; G06Q 20/00; G06Q 20/08;  
G06Q 20/20; G07F 7/0873; G07F 7/088;  
G07G 1/0009; G07G 1/0018  
See application file for complete search history.

(56) **References Cited**

**U.S. PATENT DOCUMENTS**

D327,882 S *	7/1992	George	.....	D14/344
D344,494 S *	2/1994	Cardenas	.....	D14/344
D413,582 S *	9/1999	Tompkins	.....	D14/344
D469,761 S *	2/2003	Nussberger	.....	D14/385
D624,115 S *	9/2010	Ausems	.....	G07F 7/0886 D18/4.6
D626,550 S *	11/2010	Julien	.....	D14/341
D638,012 S *	5/2011	Tian	.....	D18/4.6

D643,034 S *	8/2011	Tasselli	.....	D14/347
D659,565 S *	5/2012	Bowman	.....	D10/65
D672,386 S *	12/2012	Matunuma	.....	D18/4.6
D705,346 S *	5/2014	Blacken	.....	D18/14
D706,337 S *	6/2014	Blacken	.....	D18/14
D716,371 S *	10/2014	Lee	.....	D18/4.6
D741,816 S *	10/2015	Kroll	.....	D13/168
D754,650 S *	4/2016	Curtis	.....	D14/250
D759,748 S *	6/2016	Beatty	.....	D18/14
D762,766 S *	8/2016	Bedier	.....	D18/4.4
D770,420 S *	11/2016	Choi	.....	D14/218
D771,181 S *	11/2016	Jung	.....	D18/50
D781,847 S *	3/2017	Kim	.....	D14/341
D787,510 S *	5/2017	Kitade	.....	D14/341
D790,536 S *	6/2017	Kitade	.....	D14/341
9,721,439 B2 *	8/2017	Tanaka	.....	G07G 1/0018
D797,106 S *	9/2017	Paolizzi	.....	D14/426
D806,158 S *	12/2017	Yaginuma	.....	D18/4.6

(Continued)

*Primary Examiner* — Marie D. Fast Horse

(74) *Attorney, Agent, or Firm* — Richard K. Huffman

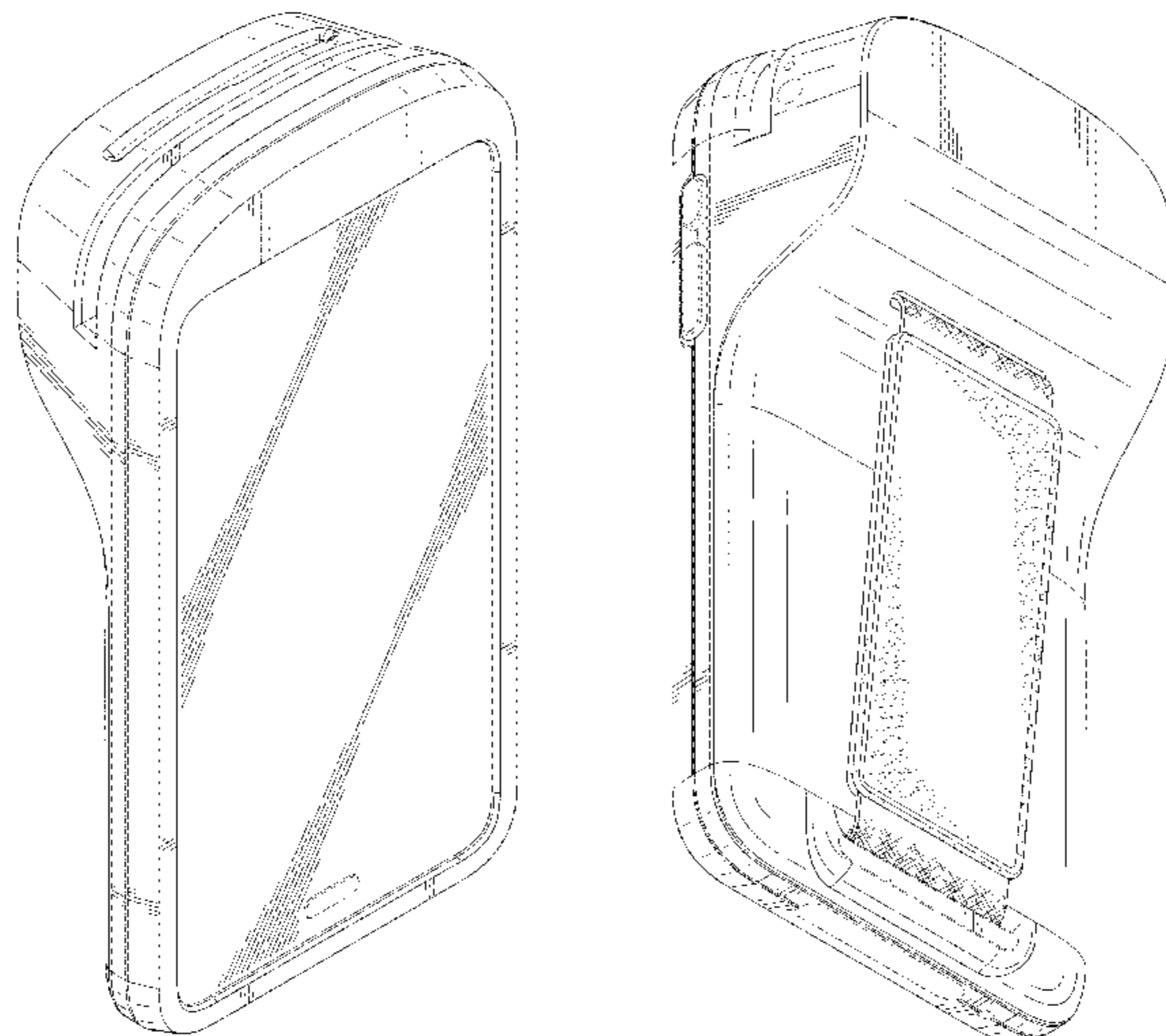
(57) **CLAIM**

The ornamental design for an electronic device, as shown and described.

**DESCRIPTION**

FIG. 1 is a front perspective view of an electronic device showing our new design;  
FIG. 2 is a front elevational view thereof;  
FIG. 3 is a rear elevational view thereof;  
FIG. 4 is a right side elevational view thereof;  
FIG. 5 is a left side elevational view thereof;  
FIG. 6 is a top plan view thereof;  
FIG. 7 is a bottom plan view thereof; and,  
FIG. 8 is a rear perspective view thereof.  
The broken lines in FIGS. 1-4 and 6-8 show portions of the electronic device that form no part of the claimed design.

**1 Claim, 6 Drawing Sheets**



(56)

**References Cited**

U.S. PATENT DOCUMENTS

2016/0335037 A1\* 11/2016 Baranowski ..... G07G 1/0018  
2017/0061746 A1\* 3/2017 Tanaka ..... G07G 1/0018

\* cited by examiner

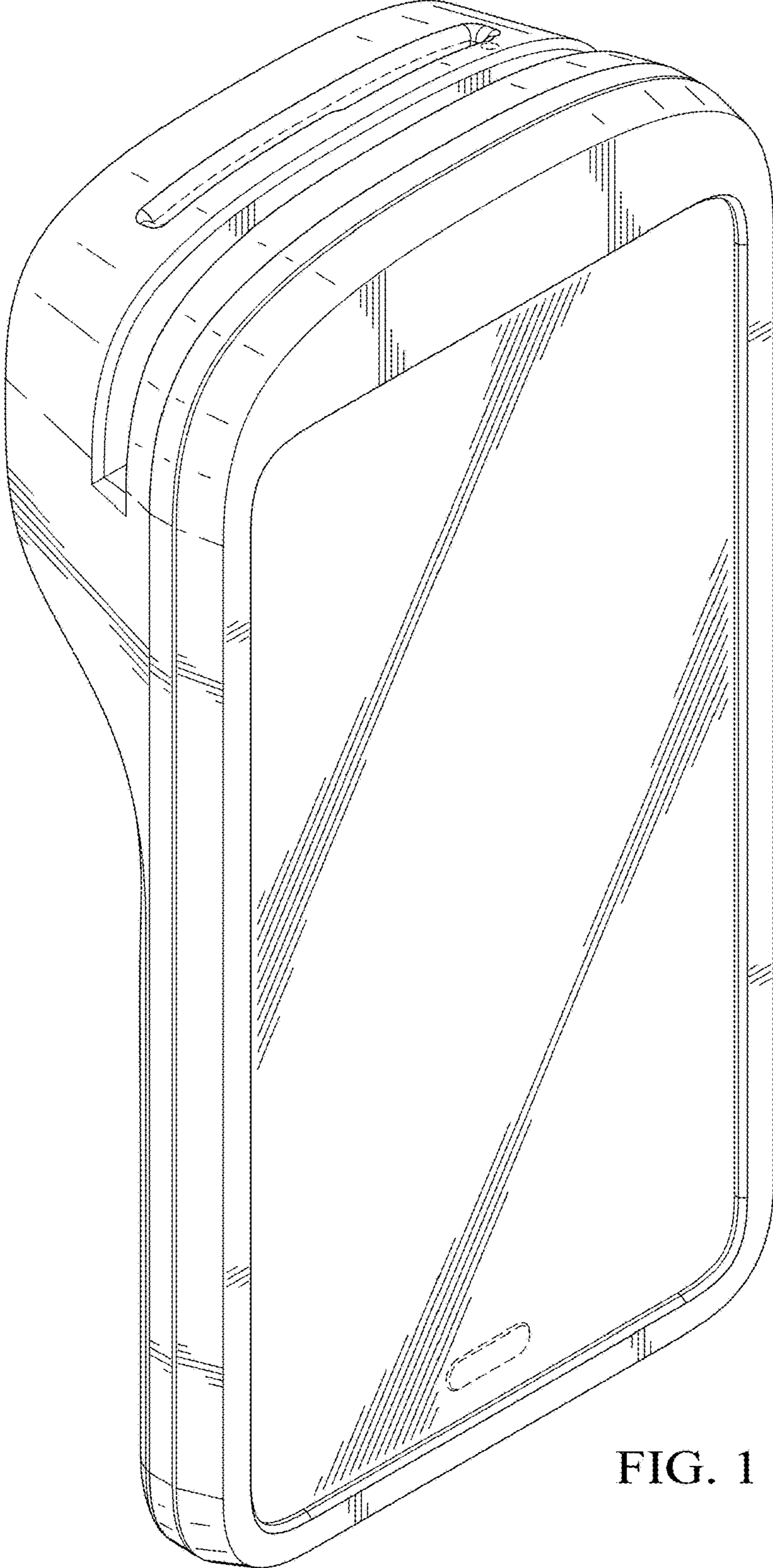


FIG. 1



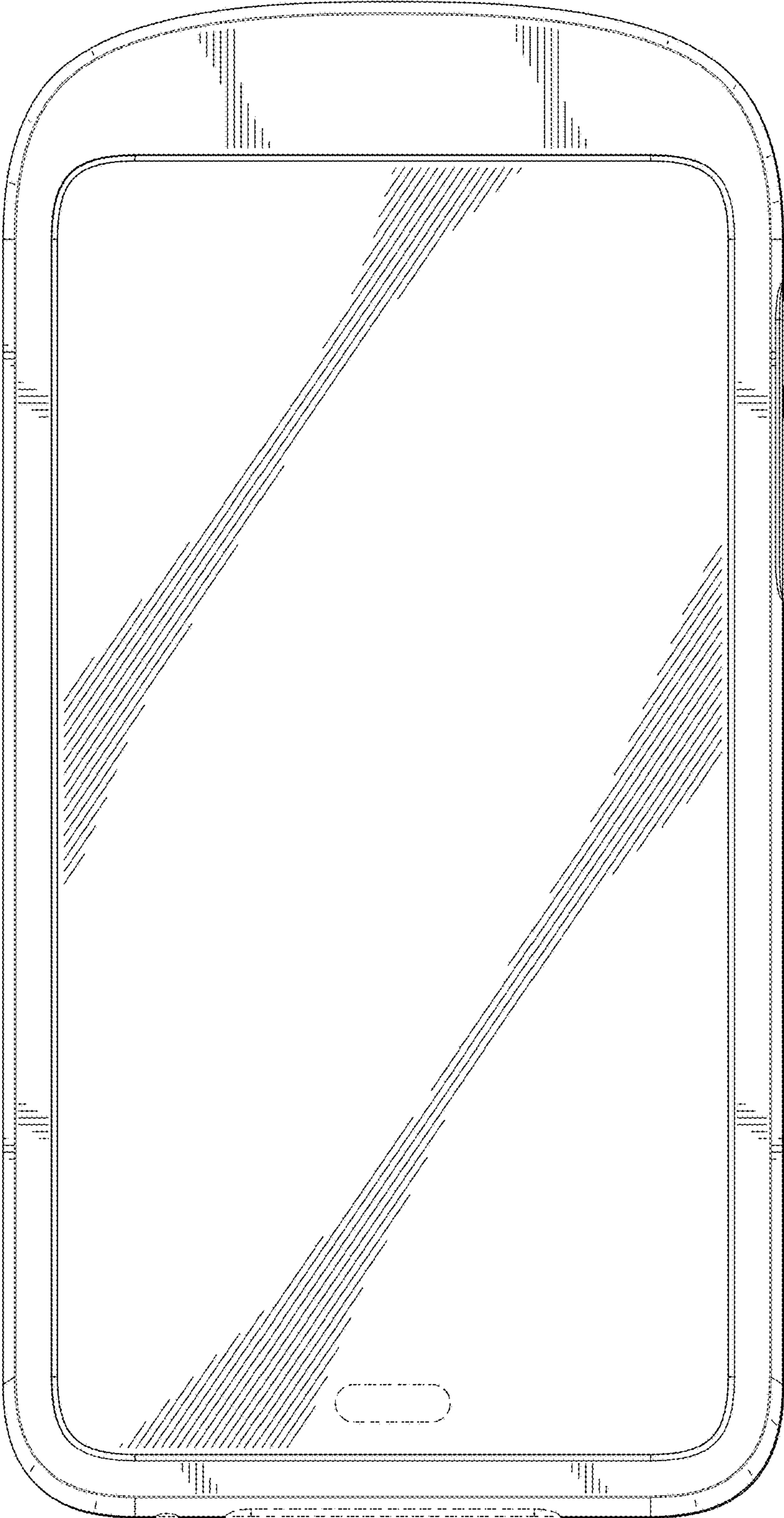


FIG. 2

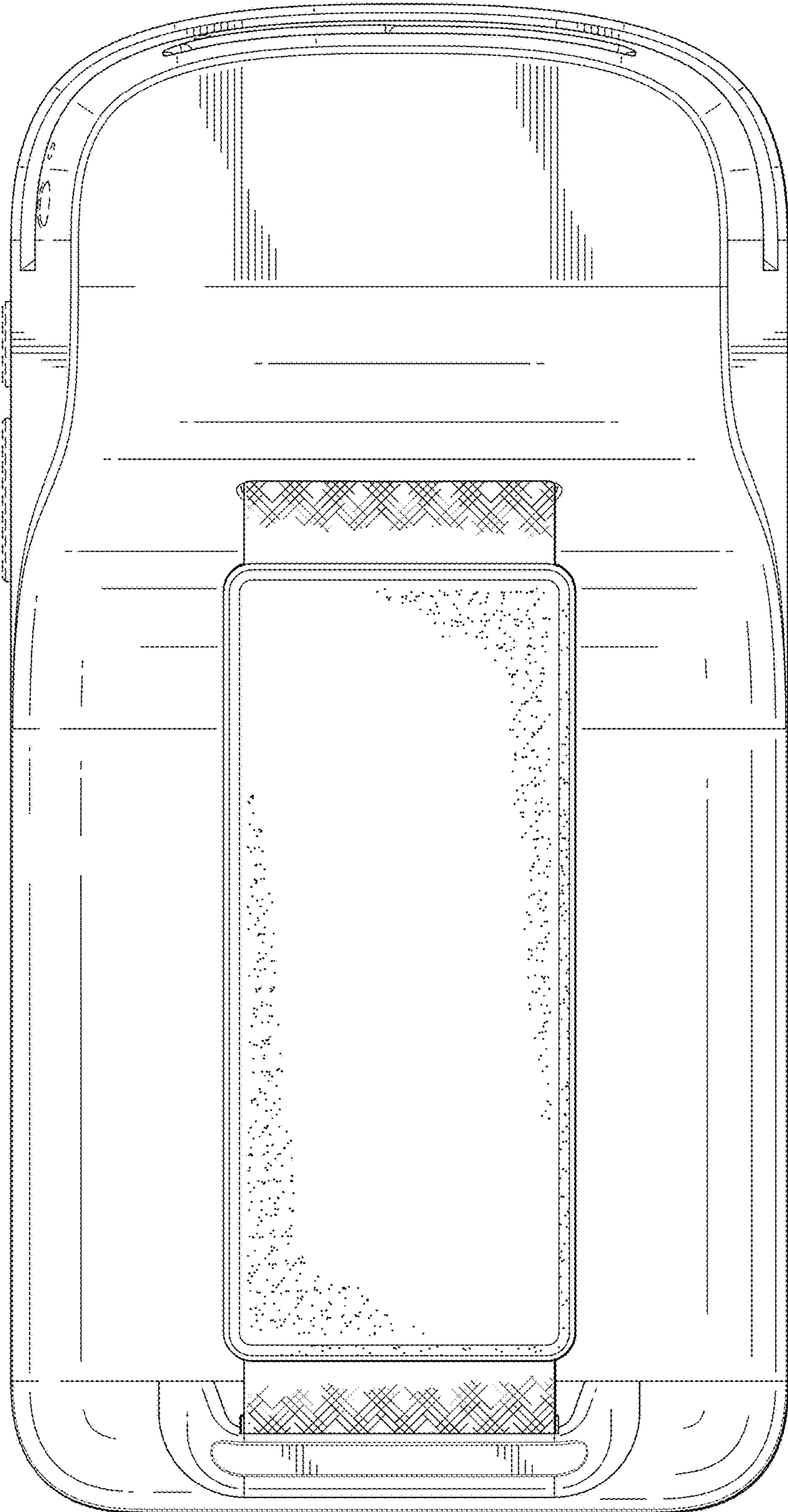


FIG. 3

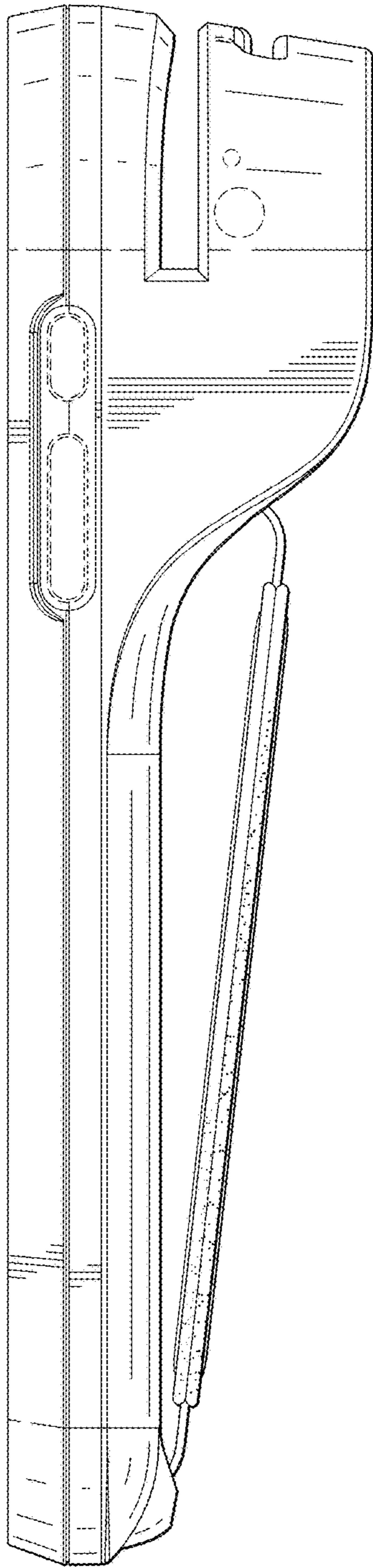


FIG. 4

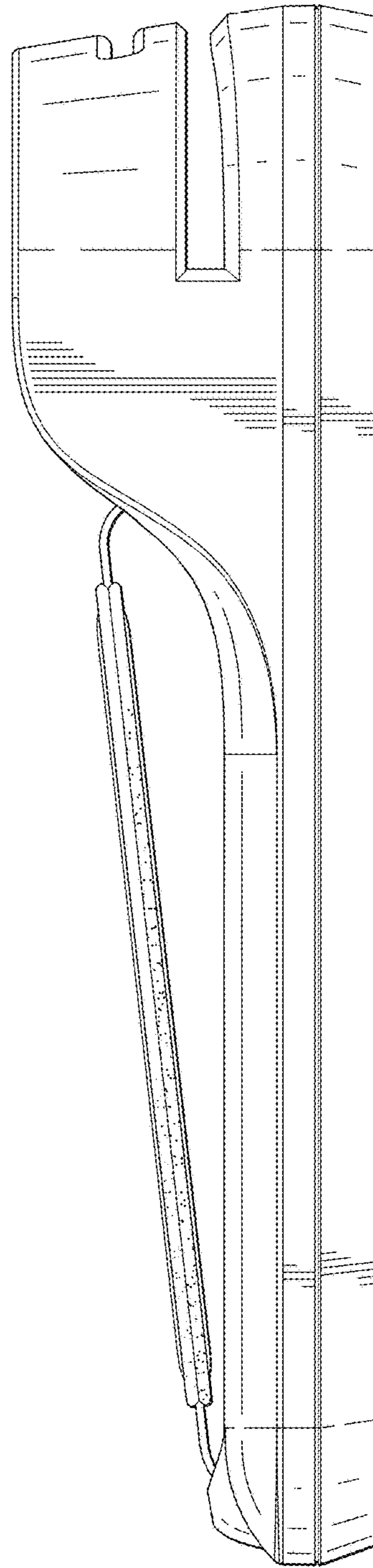


FIG. 5

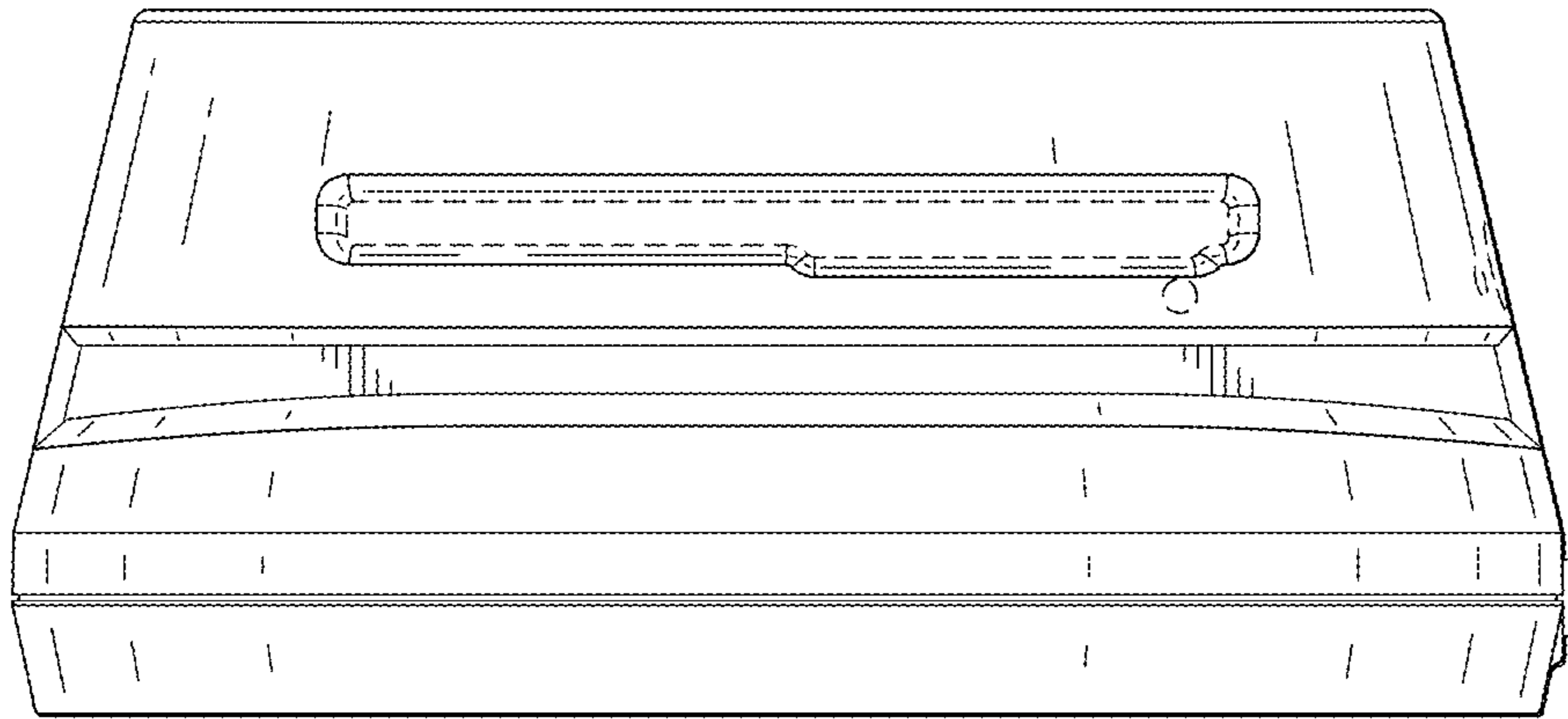


FIG. 6

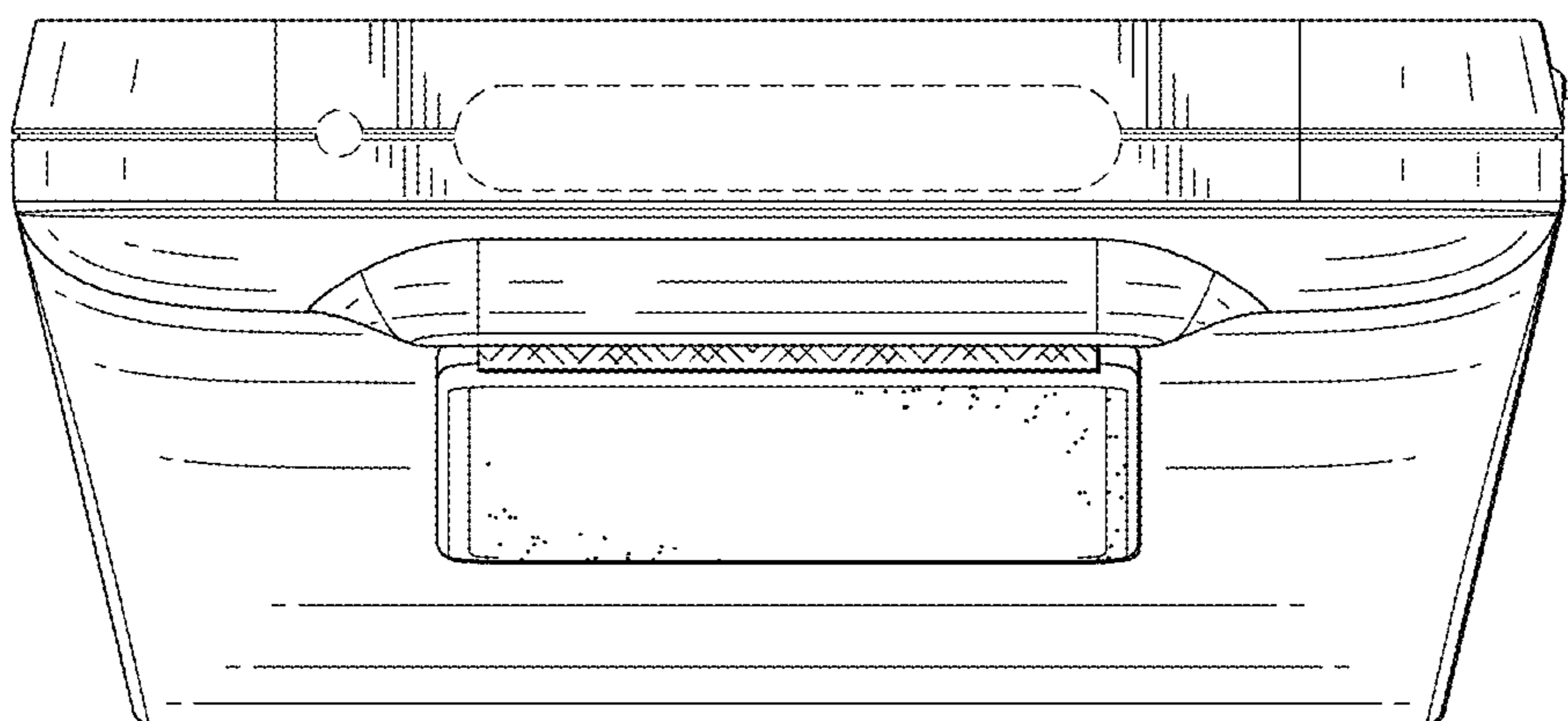


FIG. 7



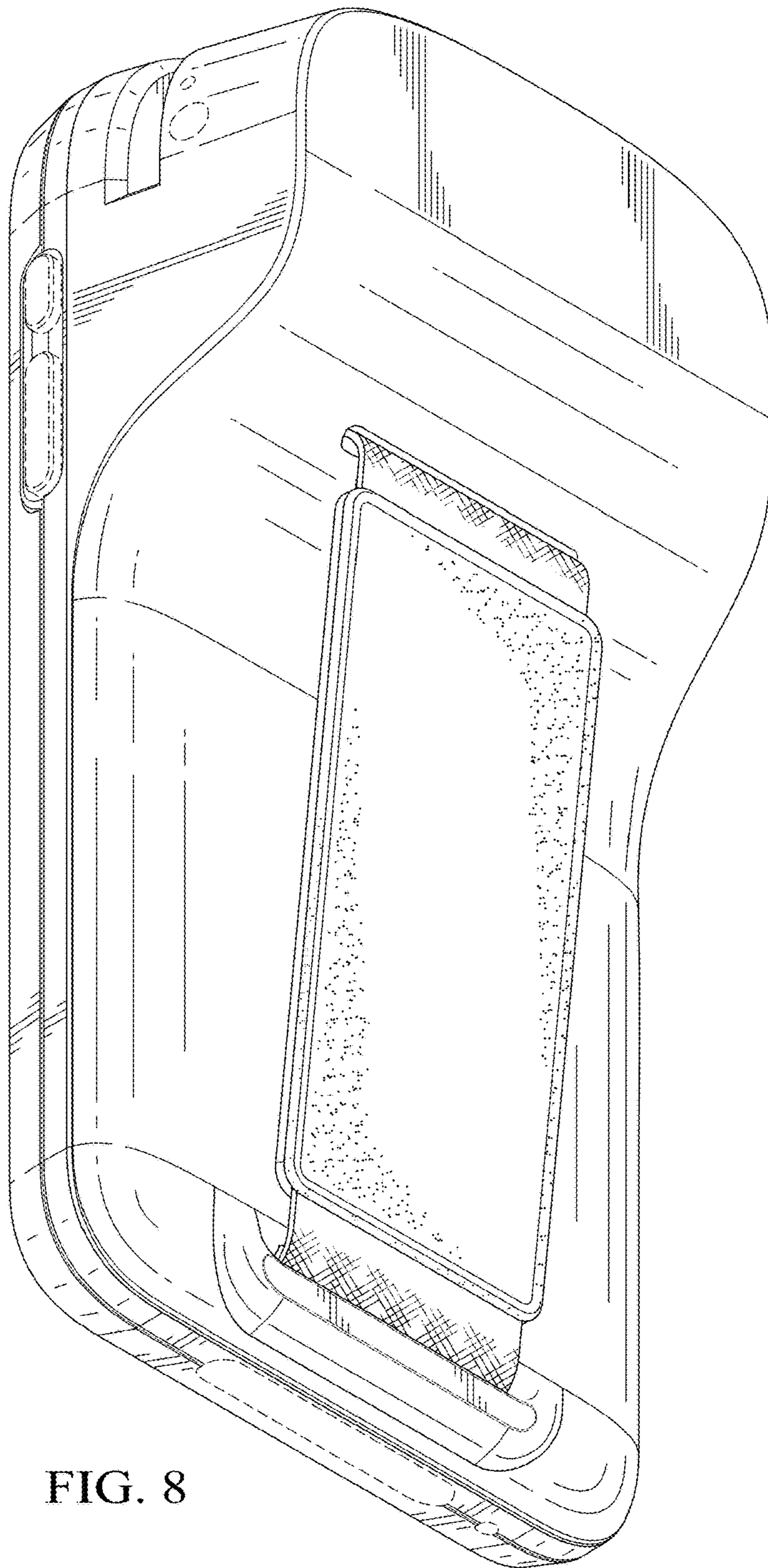


FIG. 8