



US00D844606S

(12) **United States Design Patent** (10) **Patent No.:** **US D844,606 S**
Howell et al. (45) **Date of Patent:** **** Apr. 2, 2019**

(54) **CAPTURE DEVICE**
(71) Applicant: **GEMALTO SA**, Meudon (FR)
(72) Inventors: **Brett A. Howell**, Ramsey, MN (US);
Chin-Yee Ng, Oakdale, MN (US);
Arthur V. Lang, Maplewood, MN
(US); **Steven E. Turch**, Blaine, MN
(US); **Brian L Linzie**, Stillwater, MN
(US)
(73) Assignee: **GEMALTO SA**, Meudon (FR)
(**) Term: **15 Years**
(21) Appl. No.: **29/601,775**
(22) Filed: **Apr. 26, 2017**
(51) **LOC (11) Cl.** **14-02**
(52) **U.S. Cl.**
USPC **D14/384**
(58) **Field of Classification Search**
USPC D14/300-302, 313, 314, 341, 348-370,
D14/383, 385, 432, 436, 496, 125, 135,
D14/134, 155, 167, 168, 230, 231, 233,
D14/235, 237, 240-242, 299, 420-427,
D14/453, 384, 356; D13/103, 149, 162,
D13/184, 19; D18/4.4-4.6, 12.1, 56;
D3/201, 273; D10/46, 65, 75, 78, 96,
D10/104.1, 106.6; D8/343
CPC G06K 9/00006; G06K 9/00026; G06K
9/00033; G06K 7/0013; G06F 21/00;
G06Q 30/00
See application file for complete search history.

(56) **References Cited**
U.S. PATENT DOCUMENTS
4,792,226 A * 12/1988 Fishbine G06K 9/00046
356/71
D302,153 S * 7/1989 Karecki D14/384

D346,158 S * 4/1994 Stanger D14/384
D351,144 S * 10/1994 Fishbine D14/384
D393,837 S * 4/1998 Umetsu D14/384
D478,905 S * 8/2003 Byrne D14/384
D487,266 S * 3/2004 Morimiya D14/384
D518,050 S * 3/2006 Wood D14/384
D542,291 S * 5/2007 Kang D14/384
D571,474 S * 6/2008 Sjo-Gaber D24/186
D584,730 S * 1/2009 Lin D14/383
D593,559 S * 6/2009 Lin D14/384
7,792,337 B2 * 9/2010 Higuchi G06K 9/00033
382/126
D701,508 S * 3/2014 Bauermeister D14/384
D703,205 S * 4/2014 Tamura D14/383
D724,088 S * 3/2015 Giometti D14/420
D730,355 S * 5/2015 Daniel D14/307
D751,076 S * 3/2016 Buessler D14/385
D755,181 S * 5/2016 Mistkawi D14/420

(Continued)

Primary Examiner — Marie D. Fast Horse
(74) Attorney, Agent, or Firm — The Jansson Firm; Pehr
B. Jansson

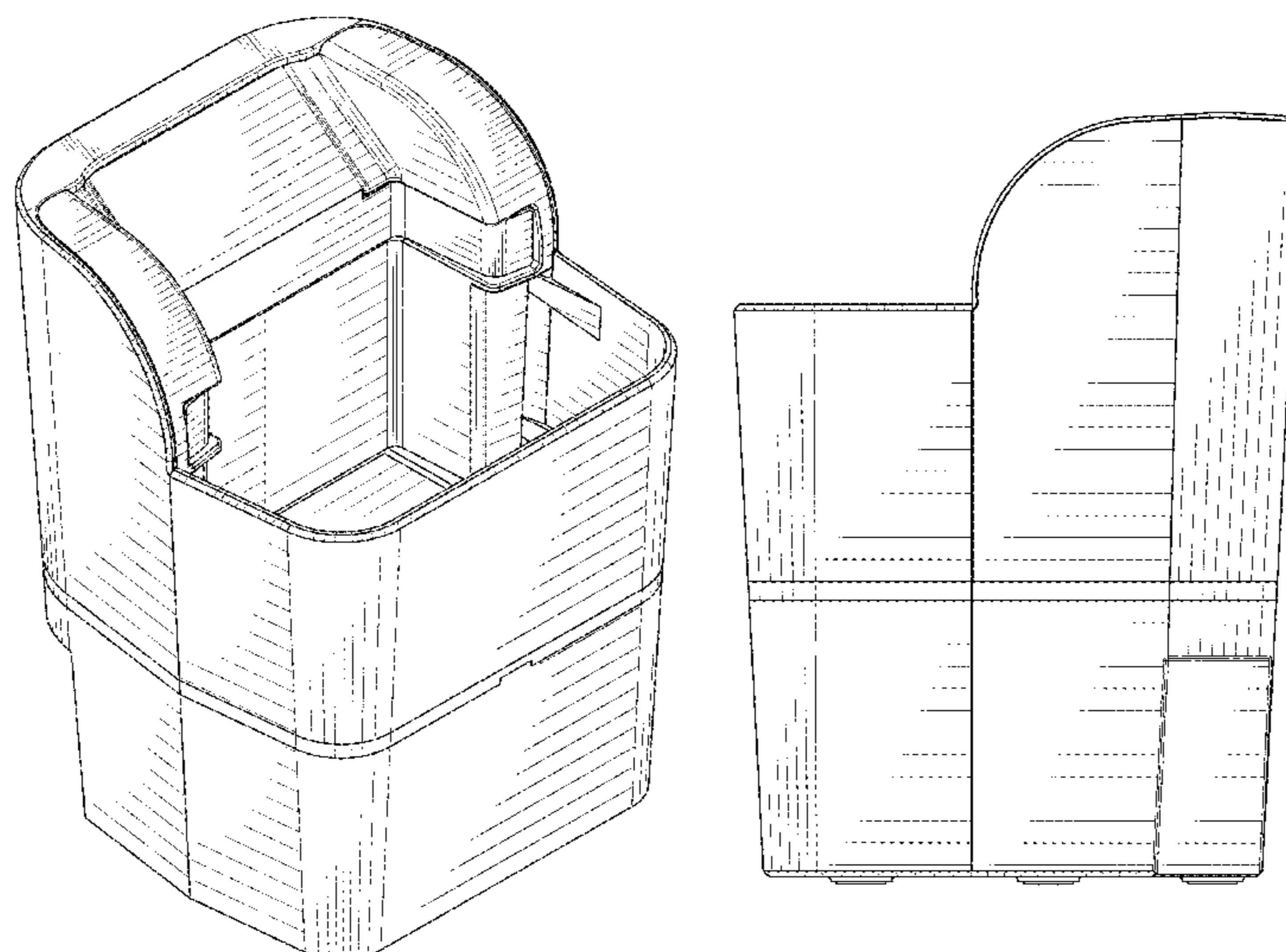
(57) **CLAIM**

The ornamental design for a capture device, as shown and described.

DESCRIPTION

FIG. 1 is a perspective view of a capture device, showing our new design;
FIG. 2 is a top view thereof;
FIG. 3 is a bottom view thereof;
FIG. 4 is a front view thereof;
FIG. 5 is a rear view thereof;
FIG. 6 is a left side view thereof; and,
FIG. 7 is a right side view thereof.
The broken lines in the drawings depict portions of the capture device that form no part of the claim. Any surface shading illustrated in the drawings is provided merely to highlight contour of design and is not intended to be illustrative of texture or gloss.

1 Claim, 6 Drawing Sheets



(56)

References Cited

U.S. PATENT DOCUMENTS

D786,873	S	*	5/2017	Yamamoto	D14/428
D791,133	S	*	7/2017	Brownlee	D14/384
D801,971	S	*	11/2017	Howell	D14/384
D801,972	S	*	11/2017	Howell	D14/384
D807,360	S	*	1/2018	Isozaki	D14/420
2009/0204010	A1	*	8/2009	Mochizuki	G06K 9/00033 600/476

* cited by examiner

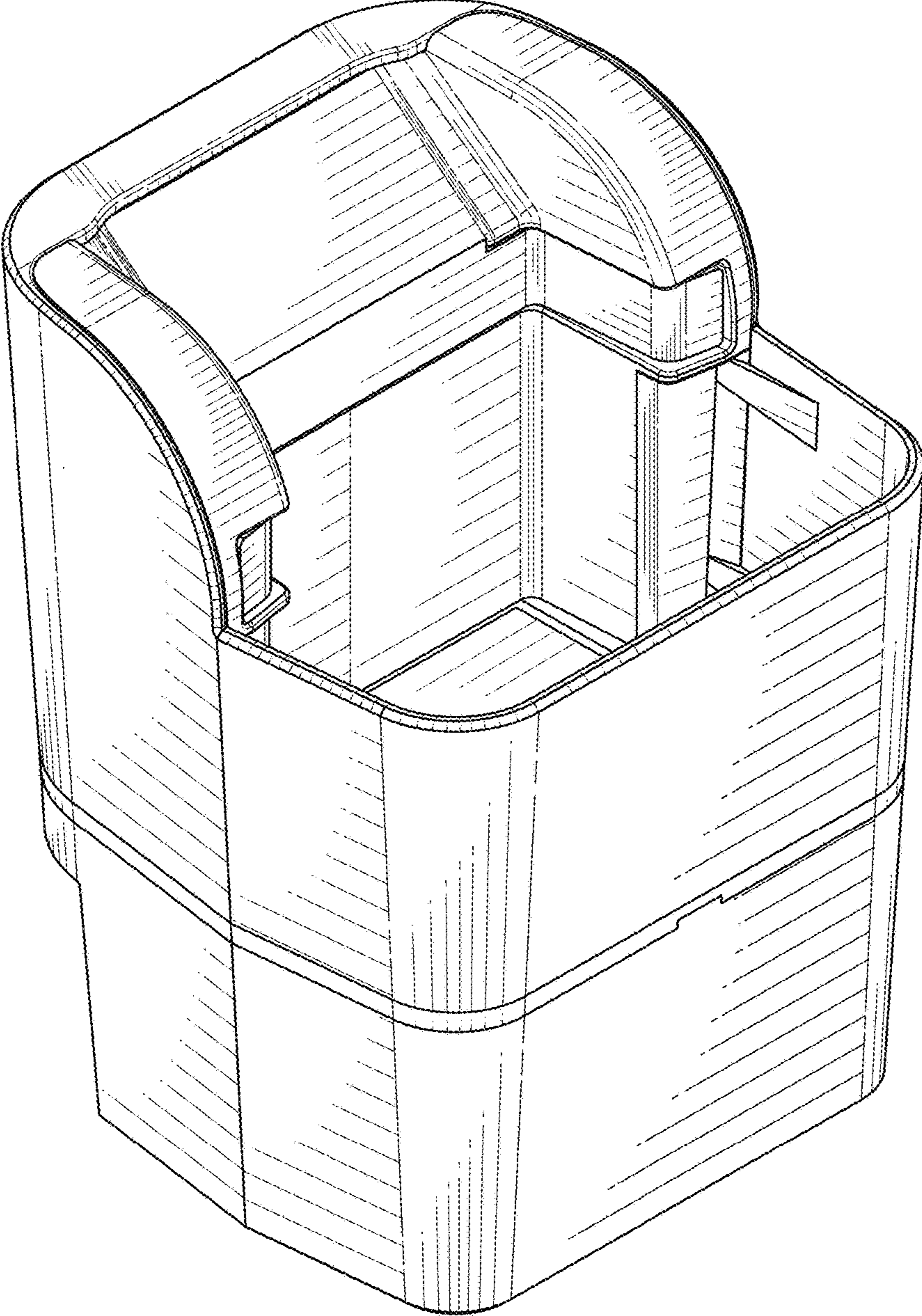


FIG. 1

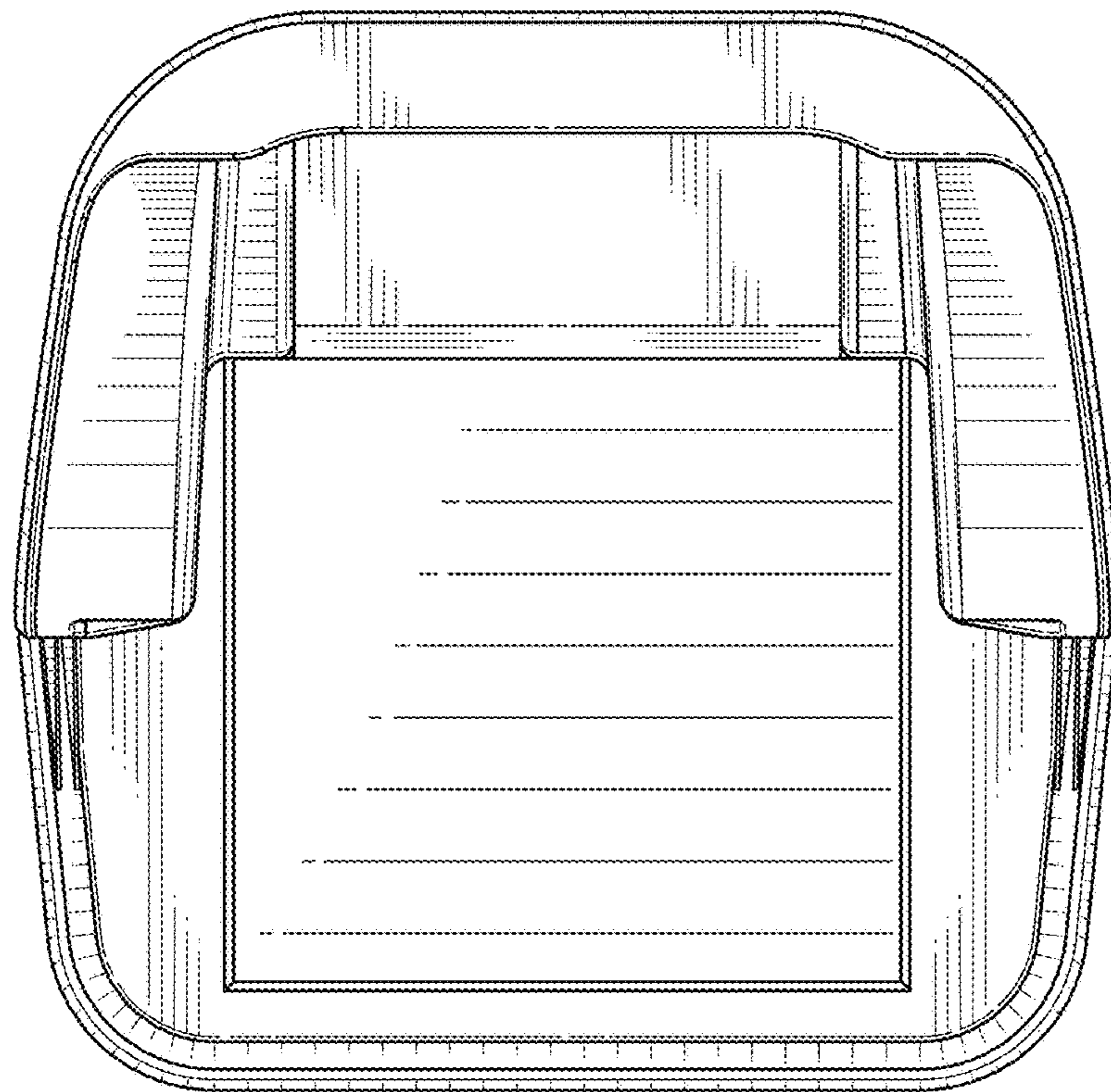


FIG. 2

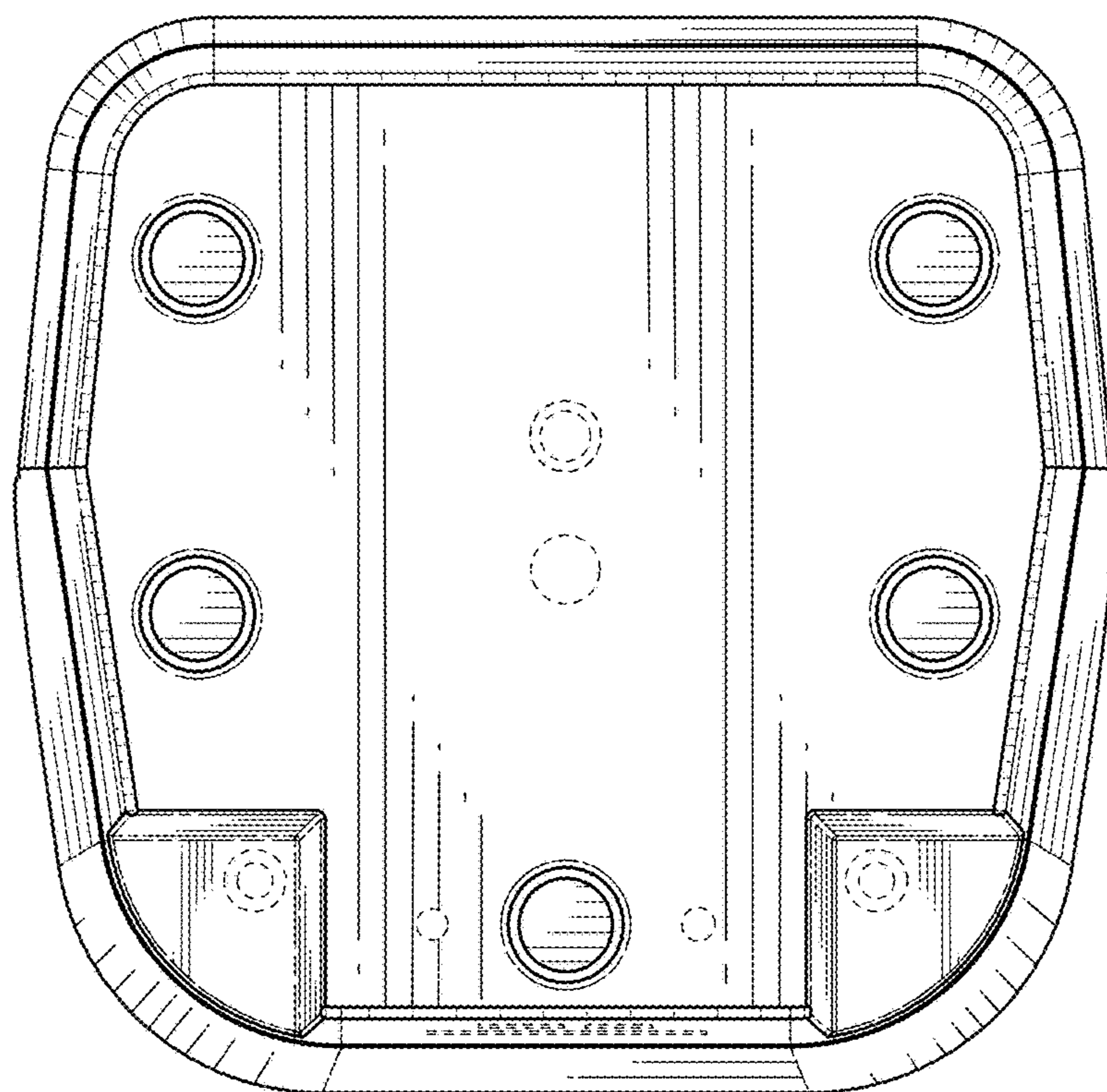


FIG. 3

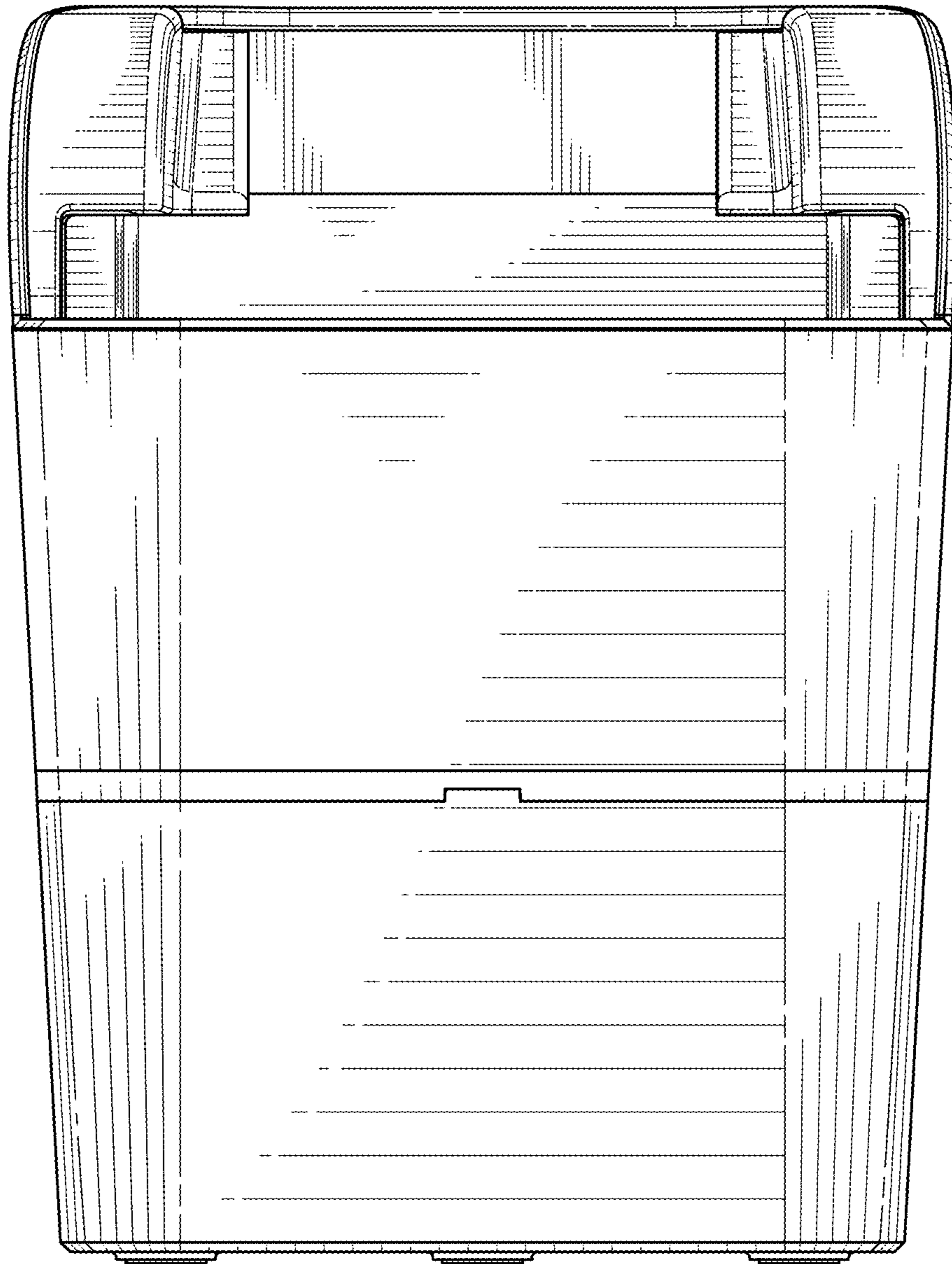


FIG. 4

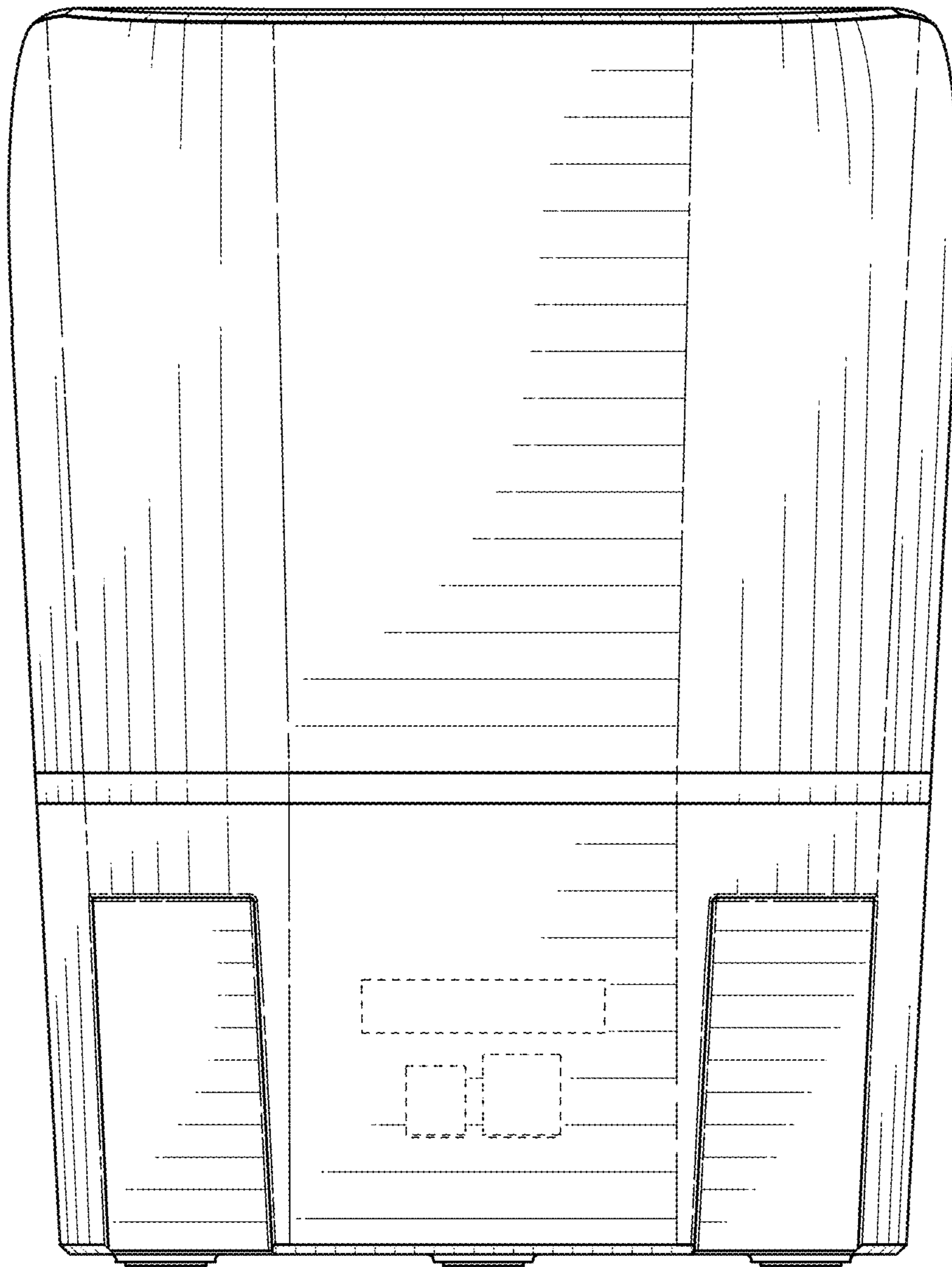


FIG. 5

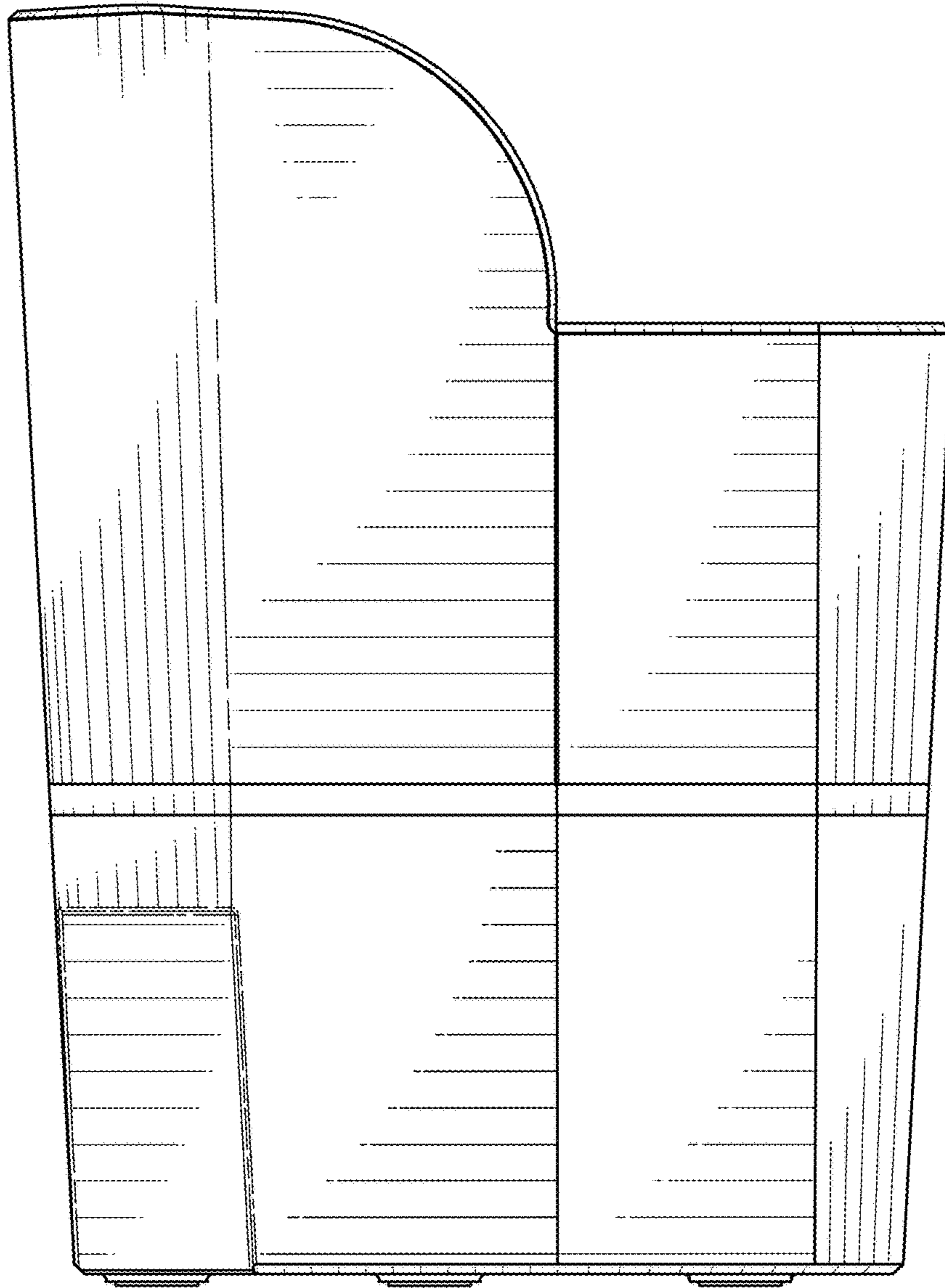


FIG. 6

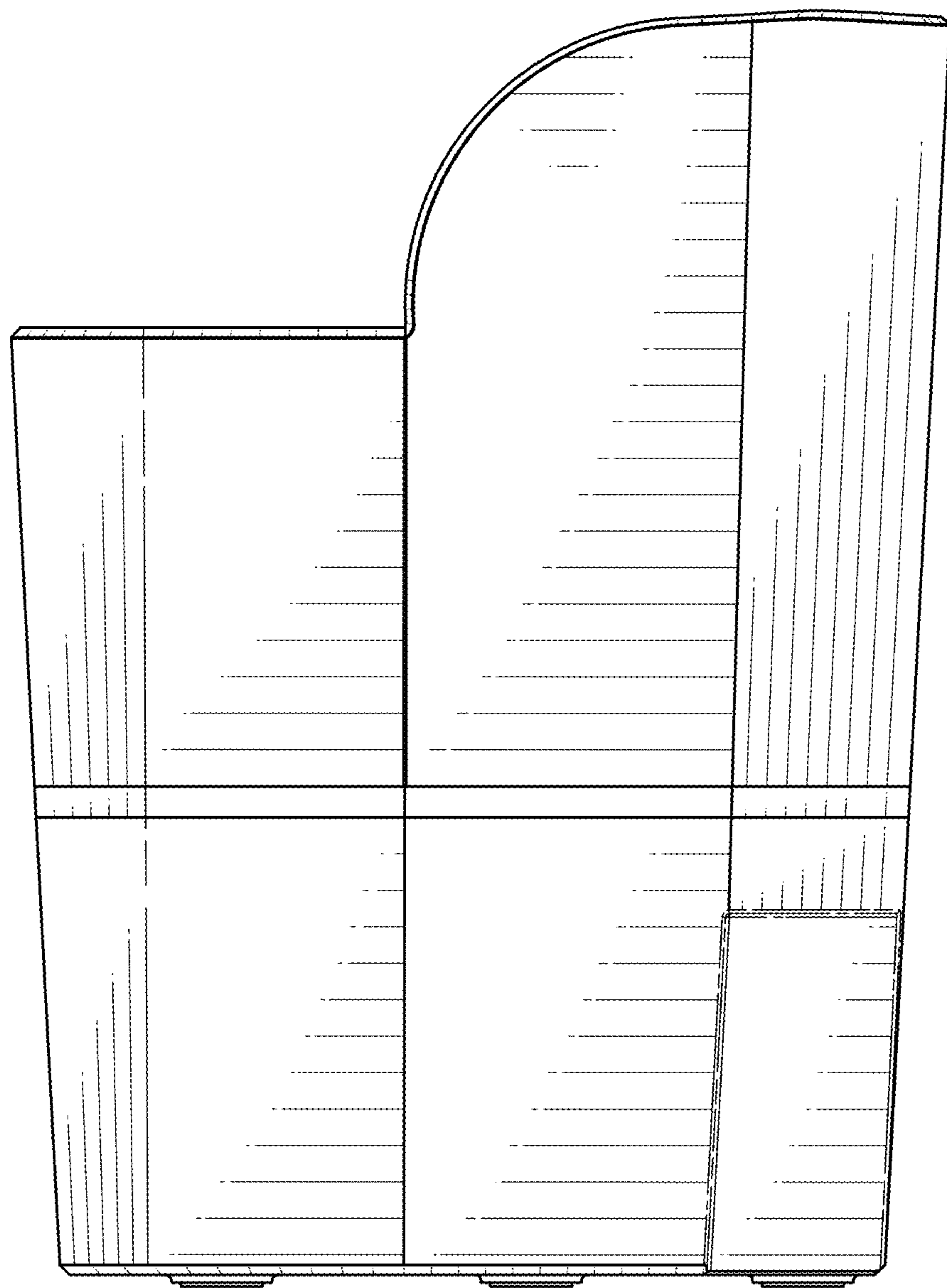


FIG. 7