



US00D844605S

(12) **United States Design Patent** (10) **Patent No.:** **US D844,605 S**
Yeh et al. (45) **Date of Patent:** **** Apr. 2, 2019**

(54) **DISPLAY DEVICE**

(71) Applicant: **Quanta Computer Inc.**, Taoyuan (TW)

(72) Inventors: **Chia-Hsien Yeh**, Taoyuan (TW);
Shih-Yun Lee, Taoyuan (TW);
Gwo-Chyuan Chen, Taoyuan (TW)

(73) Assignee: **QUANTA COMPUTER INC.**,
Guishan Dist., Taoyuan (TW)

(**) Term: **15 Years**

(21) Appl. No.: **29/633,186**

(22) Filed: **Jan. 12, 2018**

(30) **Foreign Application Priority Data**

Dec. 13, 2017 (TW) 106307298

(51) **LOC (11) Cl.** **14-02**

(52) **U.S. Cl.**
USPC **D14/372**

(58) **Field of Classification Search**
USPC D14/372, 496, 432, 371, 125, 126, 129,
D14/299; D16/300-342; 351/158, 153,
351/144; 345/7-9, 905; 455/344;
348/115, 53, 121, 739
CPC G02B 27/017; G02B 27/0158; G02B
27/0161; G02B 27/0181; G02B 27/0185;
G02B 27/0189

See application file for complete search history.

(56) **References Cited**

U.S. PATENT DOCUMENTS

D759,654 S * 6/2016 Sullivan D14/372
D773,460 S * 12/2016 Yang D14/372

D792,399 S * 7/2017 Thomas D14/372
D805,515 S * 12/2017 Bowes D14/372
D806,073 S * 12/2017 Li D14/372
9,857,839 B1 * 1/2018 Bristol G06F 1/163
D810,743 S * 2/2018 Yee D14/372
D815,637 S * 4/2018 Li D14/372
D822,659 S * 7/2018 Spio D14/372
D822,661 S * 7/2018 Robertson D14/372
D831,029 S * 10/2018 Gu D14/372
D835,102 S * 12/2018 Raffle D14/372

* cited by examiner

Primary Examiner — Austin Murphy

(74) *Attorney, Agent, or Firm* — McClure, Qualey &
Rodack, LLP

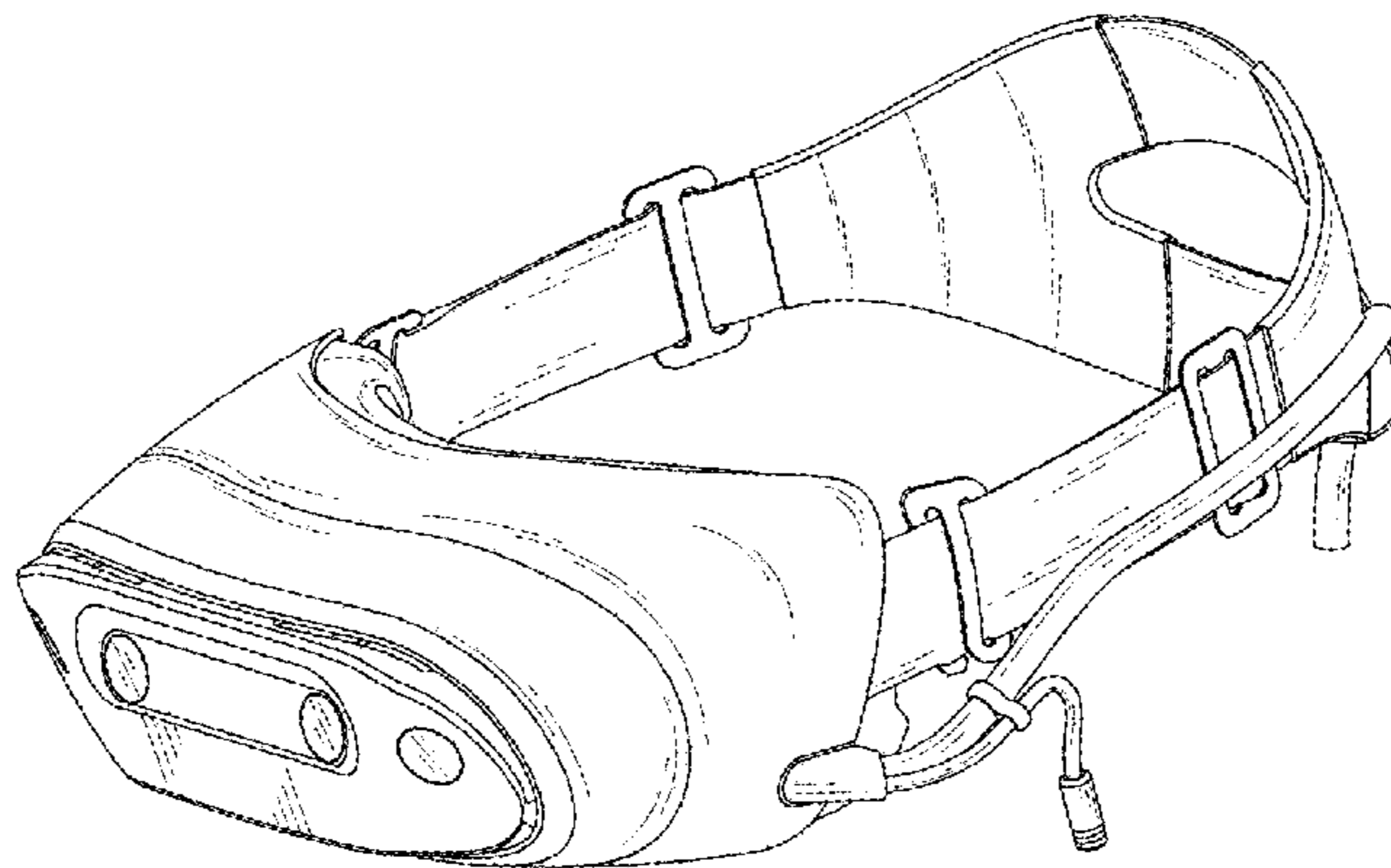
(57) **CLAIM**

The ornamental design for a display device, as shown and described.

DESCRIPTION

FIG. 1 is a front perspective view of a display device, such as a head mounted display, a virtual reality display, an augmented reality display, or a mixed reality display, in accordance with our new design;
FIG. 2 is a front view thereof;
FIG. 3 is a rear view thereof;
FIG. 4 is a left side view thereof;
FIG. 5 is a right side view thereof;
FIG. 6 is a top view thereof;
FIG. 7 is a bottom view thereof; and,
FIG. 8 is a rear perspective view thereof.

1 Claim, 6 Drawing Sheets



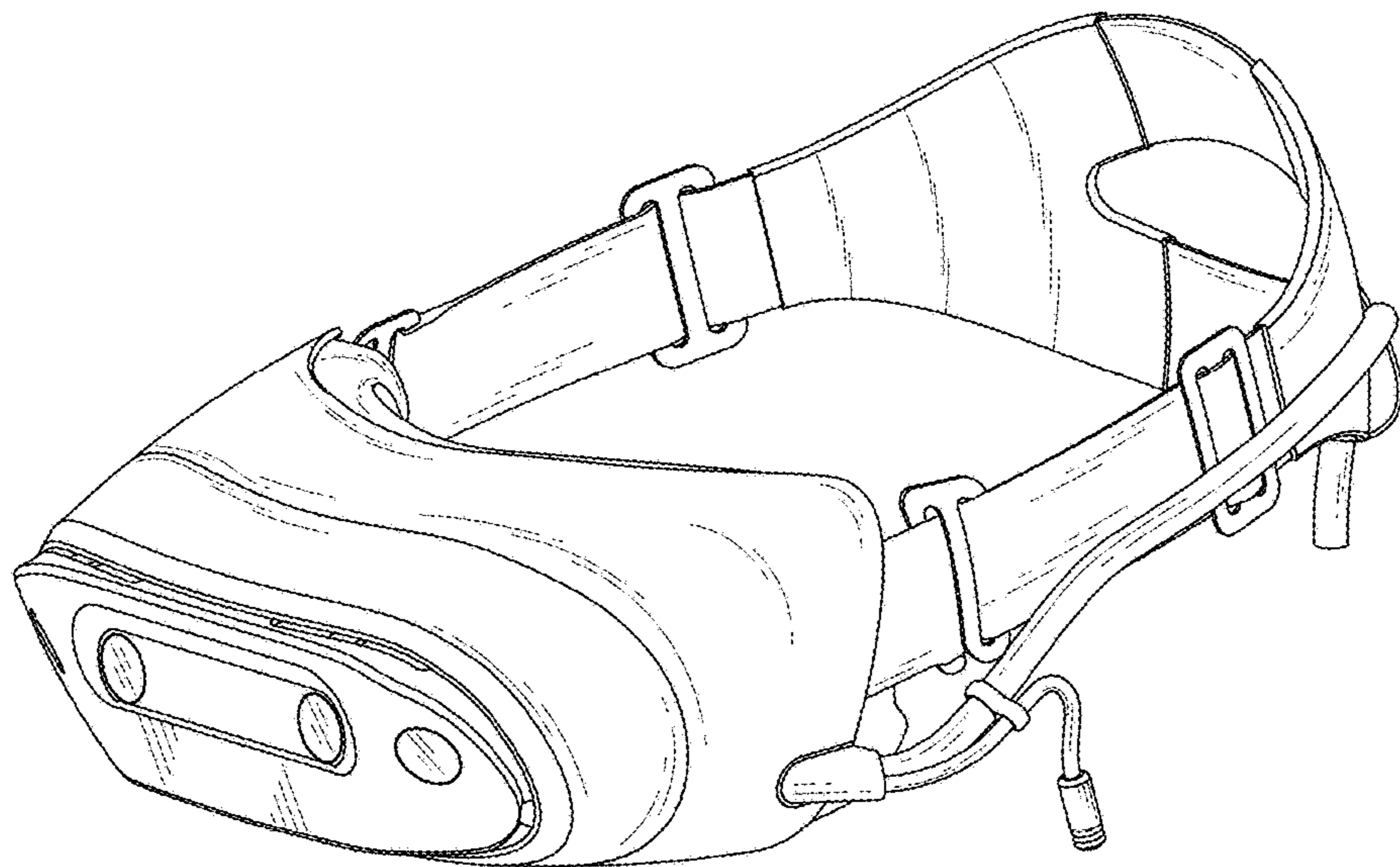


FIG. 1

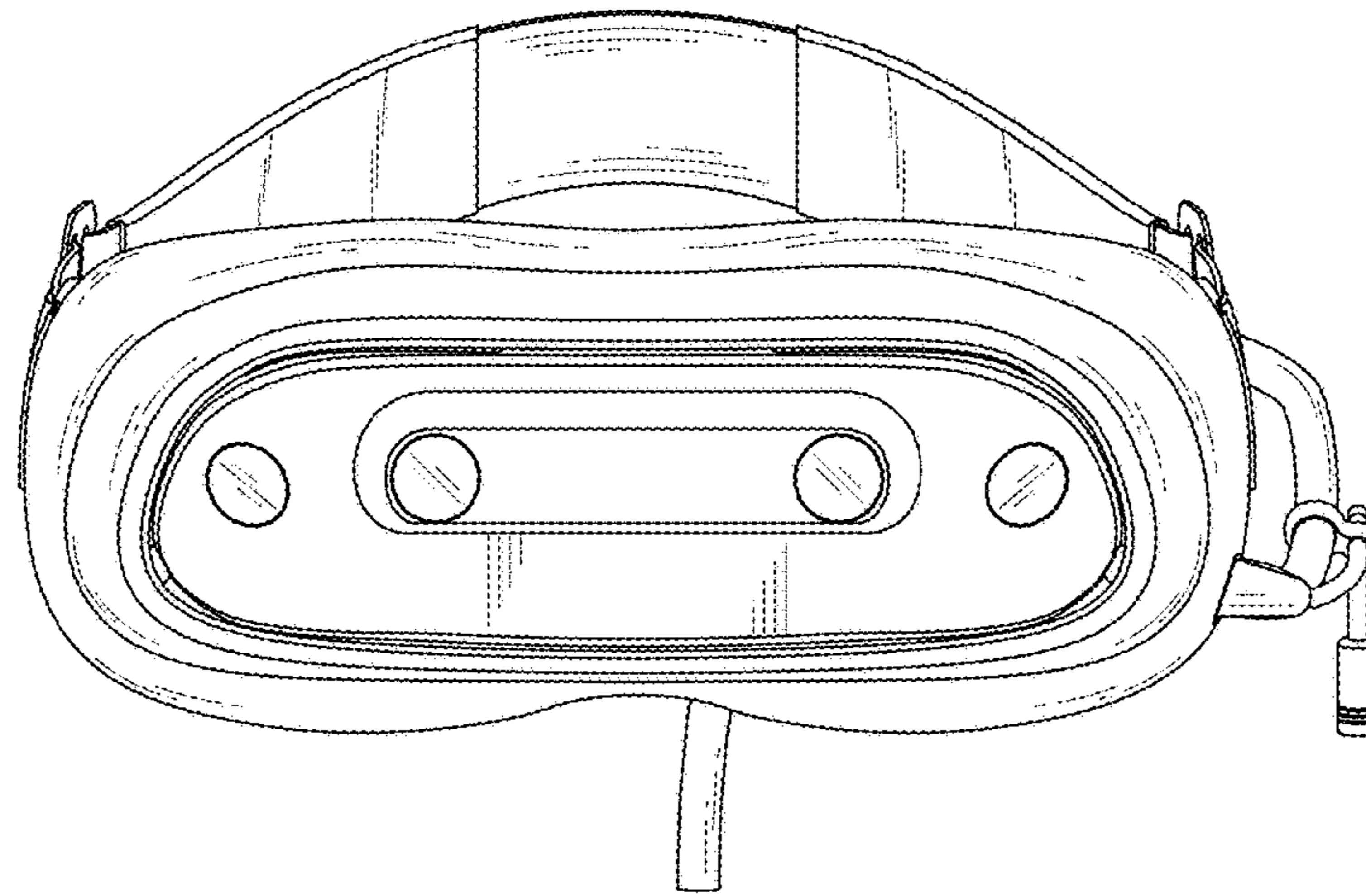


FIG. 2

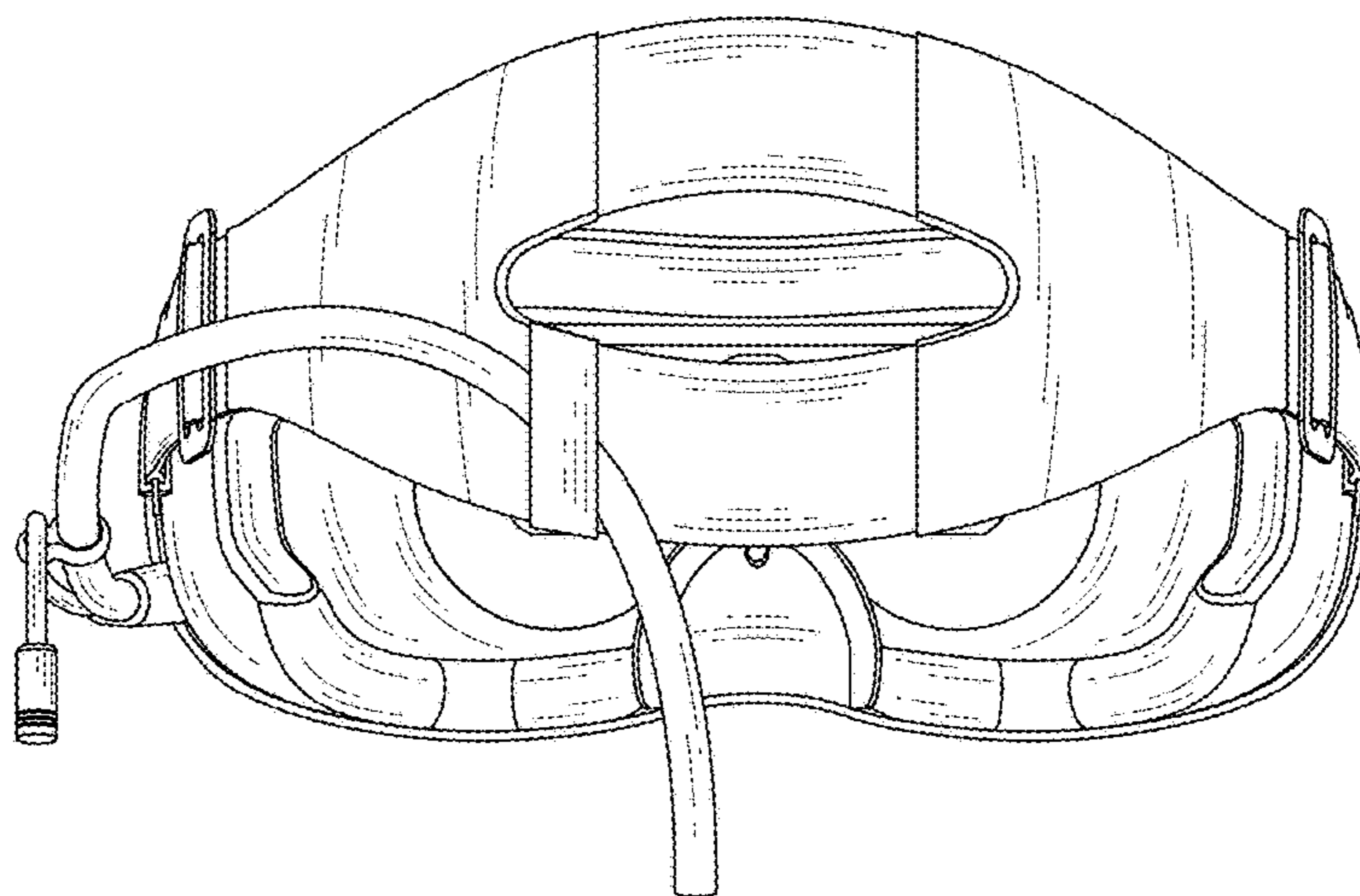


FIG. 3

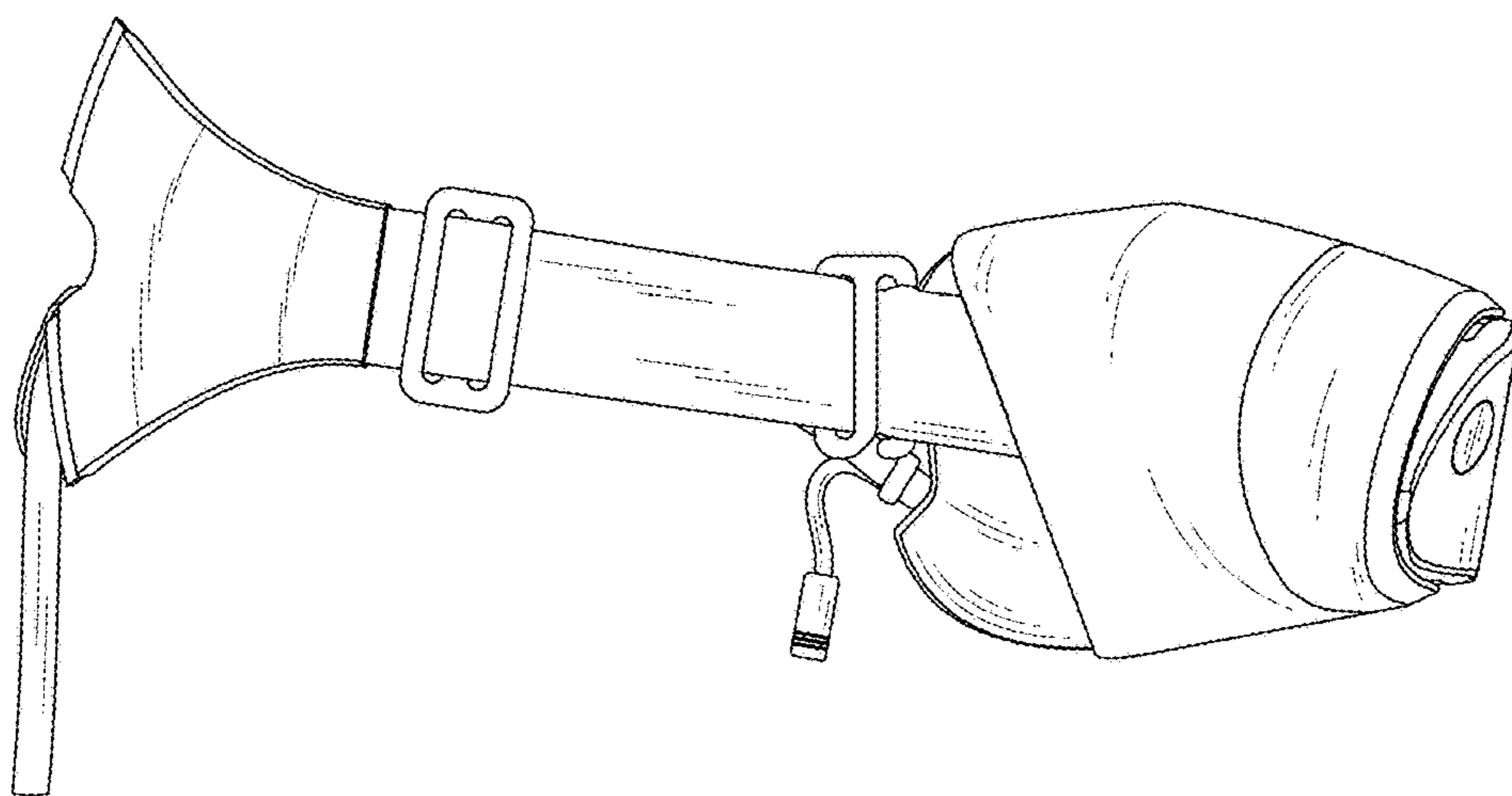


FIG. 4

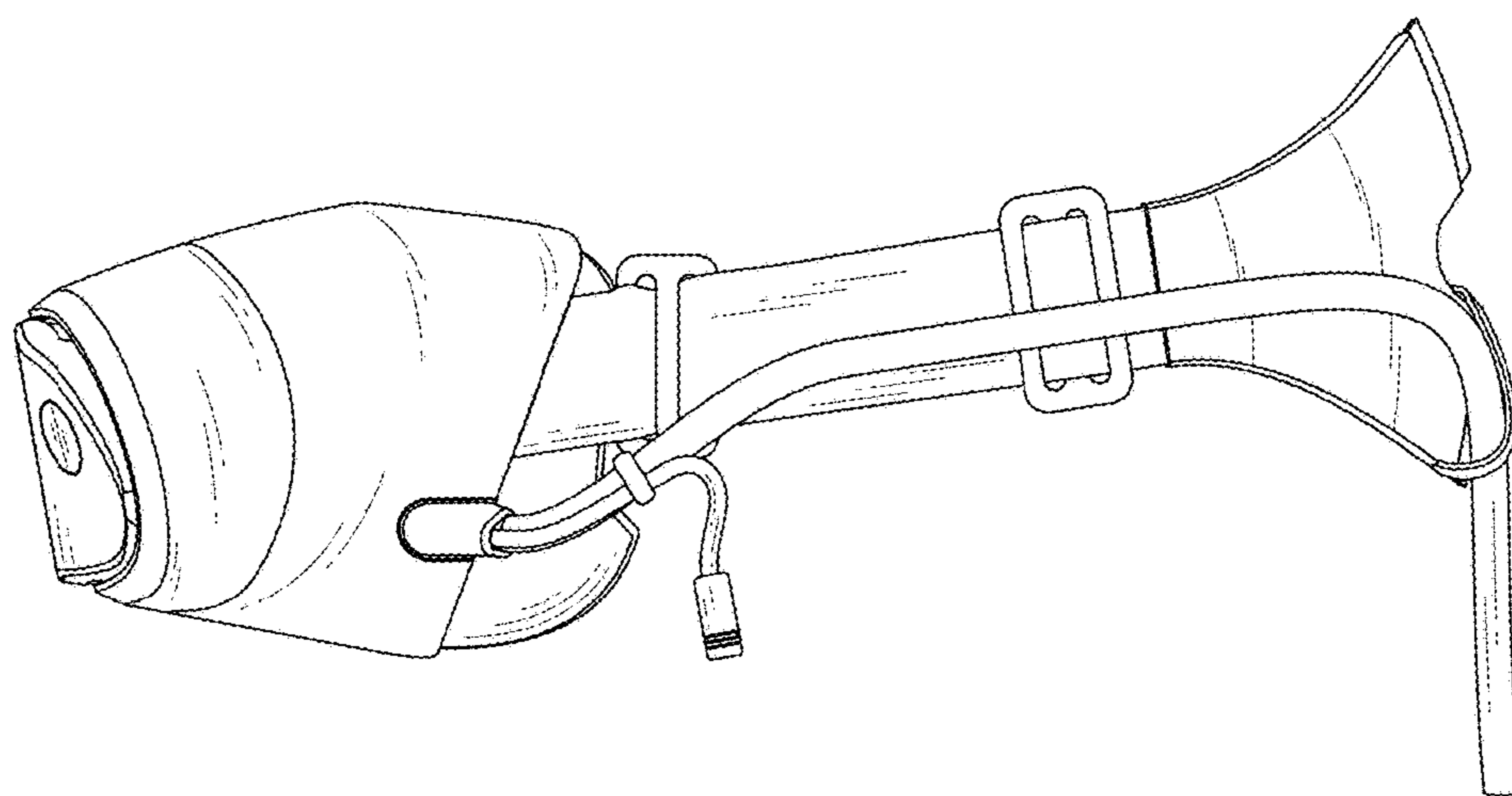


FIG. 5

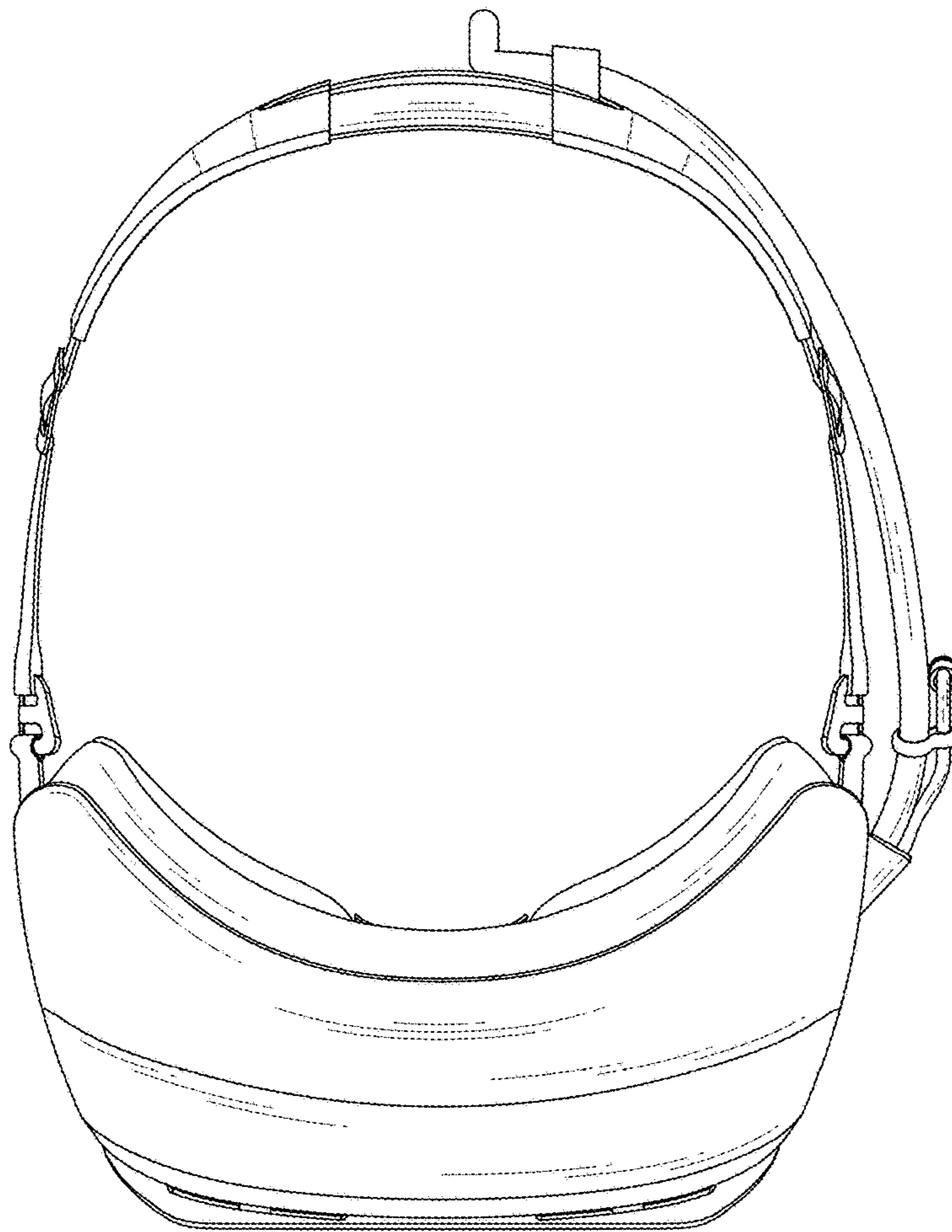


FIG. 6

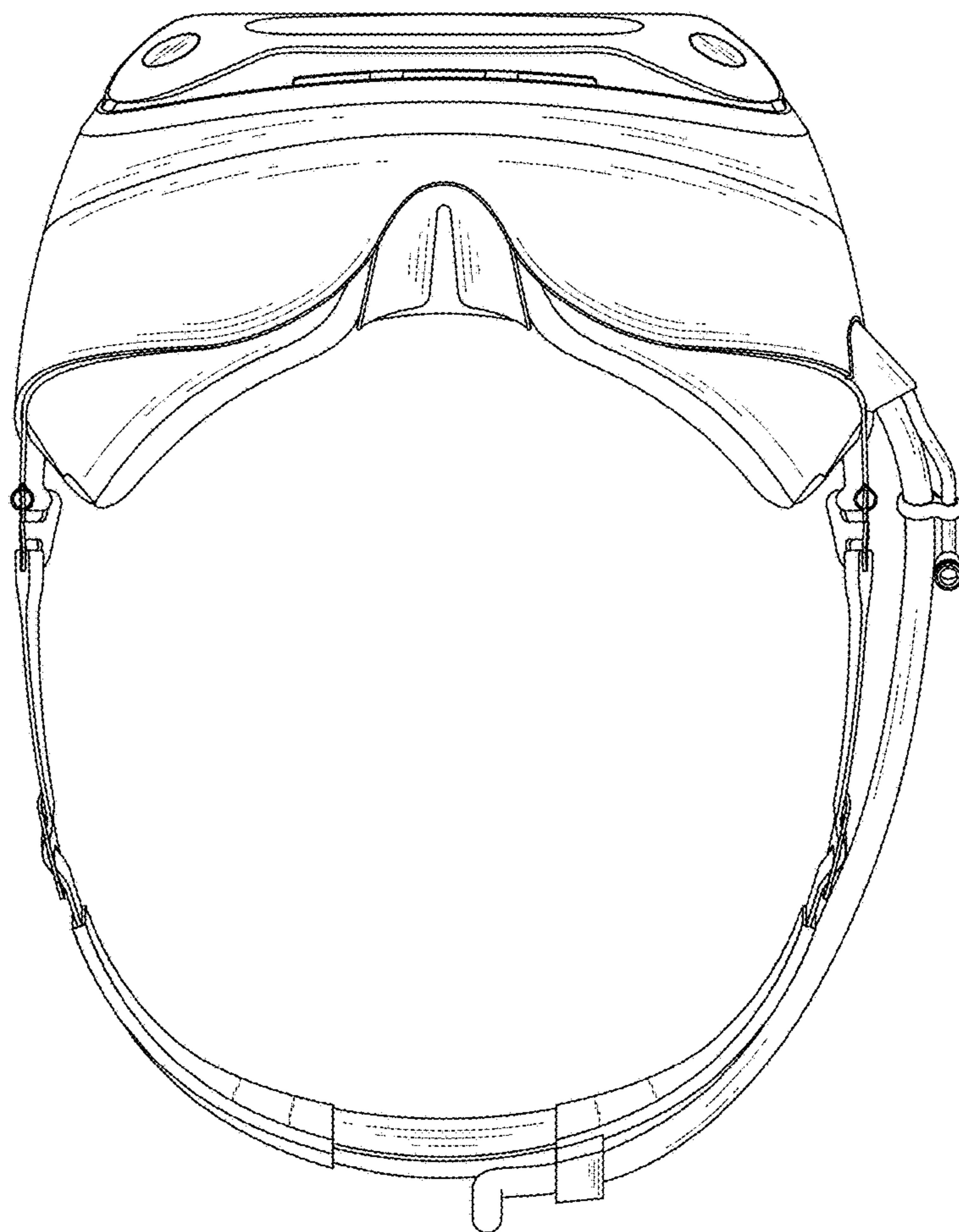


FIG. 7

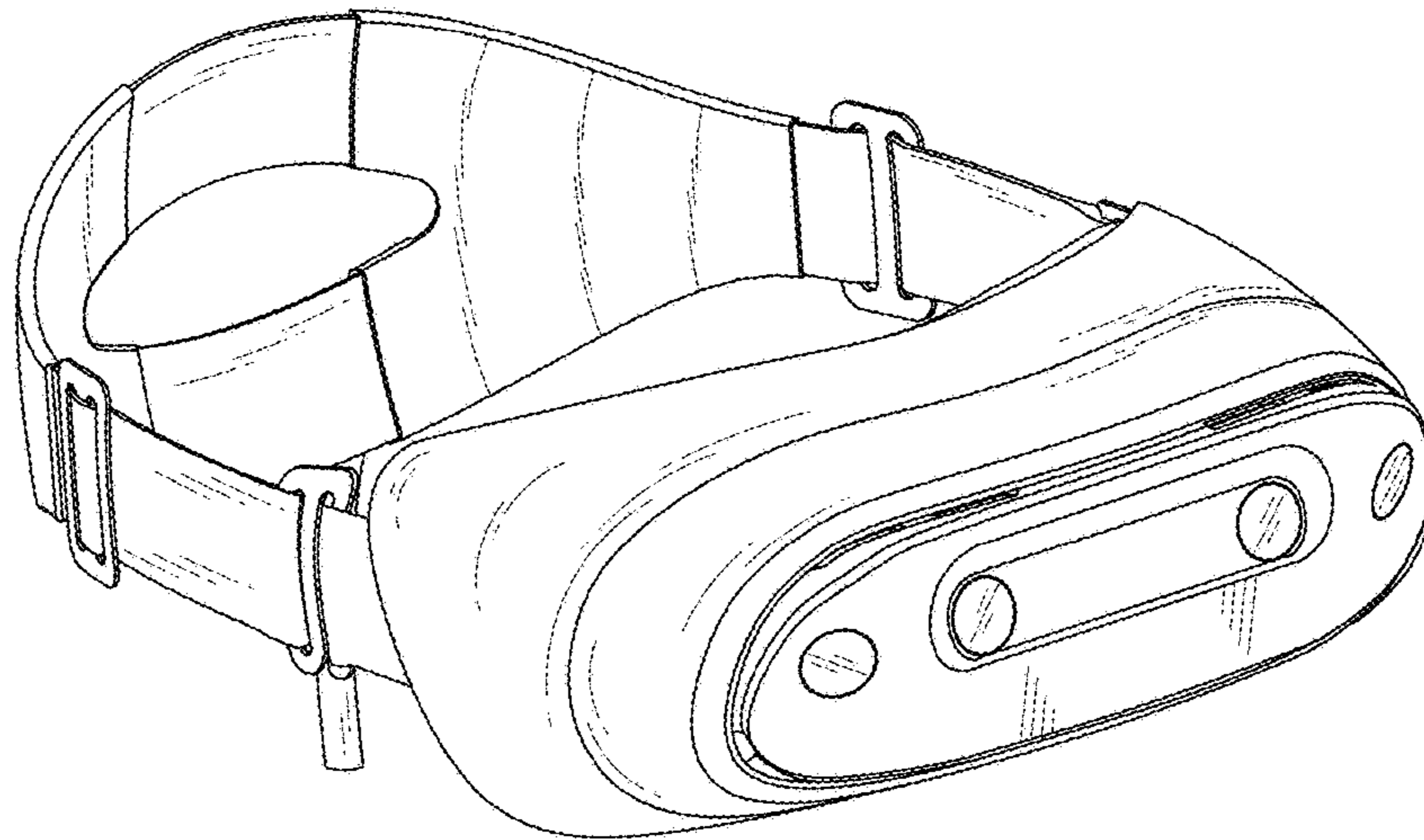


FIG. 8