



US00D844602S

(12) **United States Design Patent**
Yamazaki et al.

(10) **Patent No.:** **US D844,602 S**

(45) **Date of Patent:** **** Apr. 2, 2019**

(54) **PORTABLE INFORMATION TERMINAL**

(71) Applicant: **Semiconductor Energy Laboratory Co., Ltd.**, Atsugi-shi, Kanagawa-ken (JP)

(72) Inventors: **Shunpei Yamazaki**, Setagaya (JP);
Tomoe Matsubara, Hachioji (JP)

(73) Assignee: **Semiconductor Energy Laboratory Co., Ltd.**, Kanagawa-ken (JP)

(**) Term: **15 Years**

(21) Appl. No.: **29/598,102**

(22) Filed: **Mar. 23, 2017**

(30) **Foreign Application Priority Data**

Sep. 30, 2016 (JP) 2016-021244

(51) **LOC (11) Cl.** **14-02**

(52) **U.S. Cl.**
USPC **D14/345**

(58) **Field of Classification Search**
USPC D14/125–129, 137, 138 AA, 138 AB,
D14/138 G, 138 C, 138 R, 154, 159–165,
(Continued)

(56) **References Cited**

U.S. PATENT DOCUMENTS

D713,841 S * 9/2014 Lim D14/341
D719,540 S * 12/2014 Lee D14/138 AB
(Continued)

FOREIGN PATENT DOCUMENTS

JP 1259801 1/2006
JP 1511775 11/2014
(Continued)

OTHER PUBLICATIONS

Samsung's foldable phone could transform into a 7-inch tablet, announced Jan. 11, 2017 [online], [retrieved Jul. 16, 2018]. Available from Internet, URL: <<https://mashable.com/2017/01/11/samsung-foldable-phone-transforms-into-tablet/#A.00WaP3B5qi>> (Year: 2017).*
(Continued)

Primary Examiner — Barbara Fox
Assistant Examiner — Dana K Weiland
(74) *Attorney, Agent, or Firm* — Robinson Intellectual Property Law Office; Eric J. Robinson

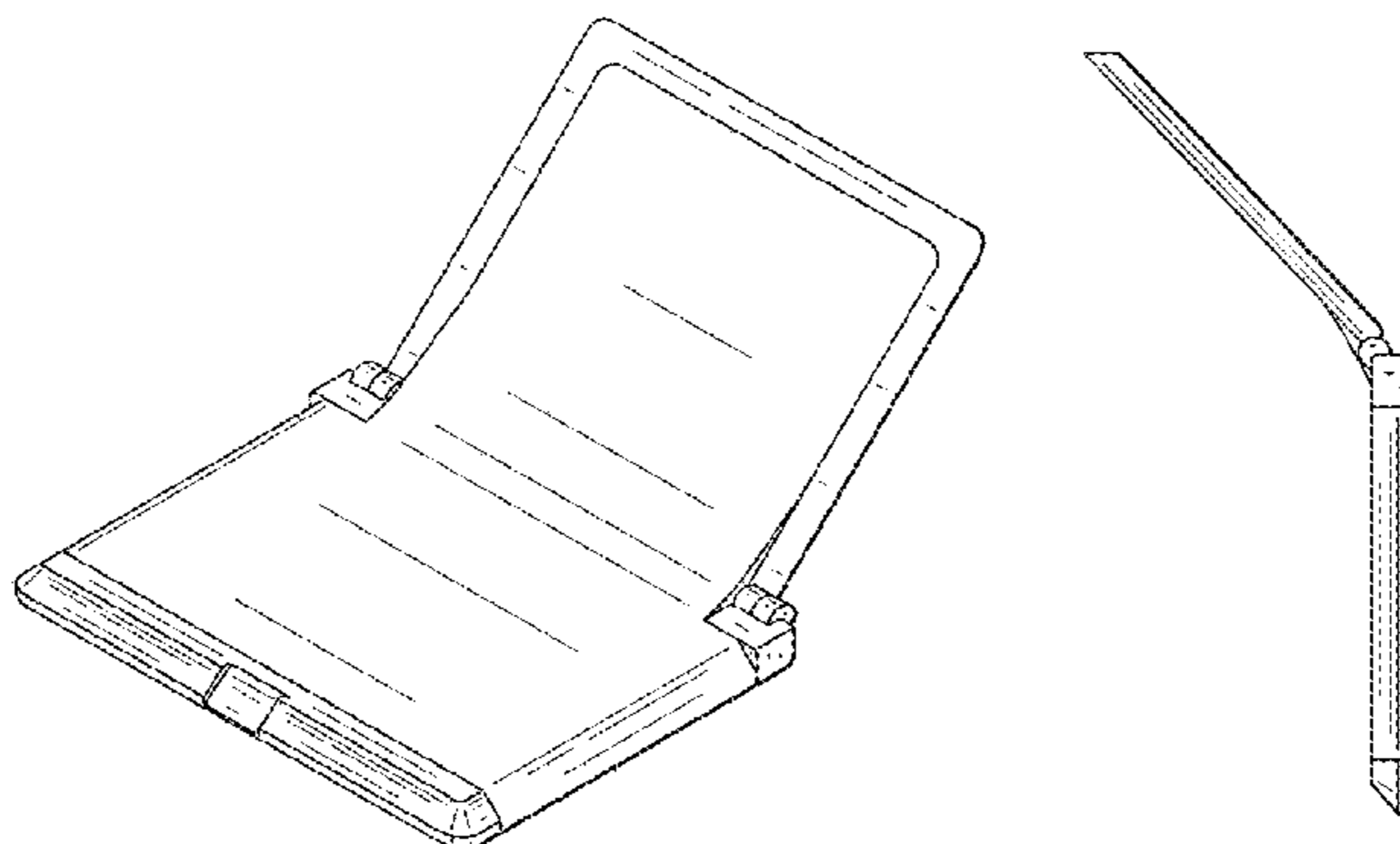
(57) **CLAIM**

We claim, the ornamental design for a portable information terminal, as shown and described.

DESCRIPTION

FIG. 1 is a perspective view of a portable information terminal showing our new design;
FIG. 2 is a perspective view thereof;
FIG. 3 is a perspective view thereof in a folded state;
FIG. 4 is a perspective view thereof in a folded state;
FIG. 5 is a front view of the portable information terminal in an unfolded state;
FIG. 6 is a rear view thereof;
FIG. 7 is a right side view thereof;
FIG. 8 is a left side view thereof;
FIG. 9 is a plan view thereof;
FIG. 10 is a bottom view thereof;
FIG. 11 is a front view thereof in a folded state; and,
FIG. 12 is a right side view thereof in a folded state.
The portable information terminal can function as a computer, a wireless communication device, a media reproducing device (e.g., a music player or a video player), a game machine, or the like, for example. The portable information terminal includes a flexible display portion and can be folded with the display portion facing inward. The display portion extends to a side surface of a main body to cover it. The portable information terminal is used in a folded or unfolded state.

1 Claim, 6 Drawing Sheets



(58) **Field of Classification Search**

USPC D14/167, 168, 170–172, 188, 192, 194,
 D14/203.1, 0.3, 0.4, 0.7, 204, 205, 207,
 D14/214–216, 223, 224, 238.1, 239, 248,
 D14/250, 251, 253, 308, 317, 331, 336,
 D14/337, 341–347, 371–377, 388, 389,
 D14/420, 432, 439, 440, 447, 448, 451,
 D14/452, 457, 496; D6/308, 310,
 D6/406.1–406.6, 601; D10/104.1, 50, 65;
 D21/329–332; D13/108
 CPC G06F 1/1601; G06F 1/1605; G06F 1/162;
 G06F 1/1613; G06F 1/1647; G06F
 1/1641; G06F 1/1616; G06F 1/1652;
 G06F 3/04883; G06F 3/0486; G06F
 3/0487; G06F 3/0484; H04M 1/0214;
 H04R 1/02; H04R 5/00; H04R 9/06;
 G08B 21/0288; G08B 21/02; F16M 11/00
 See application file for complete search history.

9,720,455 B2 * 8/2017 Jang G06F 1/1681
 D800,112 S * 10/2017 Park D14/345
 9,791,891 B2 * 10/2017 Jung G06F 1/1652
 D816,079 S * 4/2018 Yamazaki D14/341
 2011/0242026 A1 * 10/2011 Ishigaki G06F 17/30991
 345/173
 2012/0002360 A1 * 1/2012 Seo G06F 1/1616
 361/679.01
 2012/0264489 A1 * 10/2012 Choi H04M 1/0216
 455/566
 2013/0307805 A1 * 11/2013 Arai G06F 3/04883
 345/173
 2015/0062028 A1 * 3/2015 Go G06F 1/1616
 345/173
 2015/0378397 A1 * 12/2015 Park G06F 1/1652
 361/679.27

FOREIGN PATENT DOCUMENTS

JP 1465491 3/2015
 KR 30-0689166 4/2013

(56) **References Cited**

U.S. PATENT DOCUMENTS

D719,541 S 12/2014 Lee et al.
 9,013,368 B1 * 4/2015 Kim G06F 3/1446
 345/1.1
 D741,856 S * 10/2015 Yamazaki D14/341
 D745,516 S * 12/2015 Yamazaki D14/341
 D747,284 S * 1/2016 Endo D14/126
 D753,652 S 1/2016 Endo et al.
 D749,575 S * 2/2016 Park D14/203.4
 D761,254 S * 7/2016 Yamazaki D14/341
 D768,624 S * 10/2016 Bae D14/331
 D770,448 S * 11/2016 Endo D14/341
 9,655,235 B2 * 5/2017 Hwang G09F 9/301

OTHER PUBLICATIONS

Lenovo's Flexible Display Wrist Phone and Foldable Tablet, announced Sep. 11, 2016 [online], [retrieved Jul. 18, 2018]. Available from Internet, URL: <<http://www.shelltechnos.com/gadgets/lenovo-flexible-display-wrist-phone-and-foldable-tablet/>> (Year: 2016).
 * Specification and Drawings of Design U.S. Appl. No. 29/598,104, filed Mar. 23, 2017.
 * Specification and Drawings of Design U.S. Appl. No. 29/598,103, filed Mar. 23, 2017.
 * Specification and Drawings of Design U.S. Appl. No. 29/598,105, filed Mar. 23, 2017.

* cited by examiner

FIG. 1

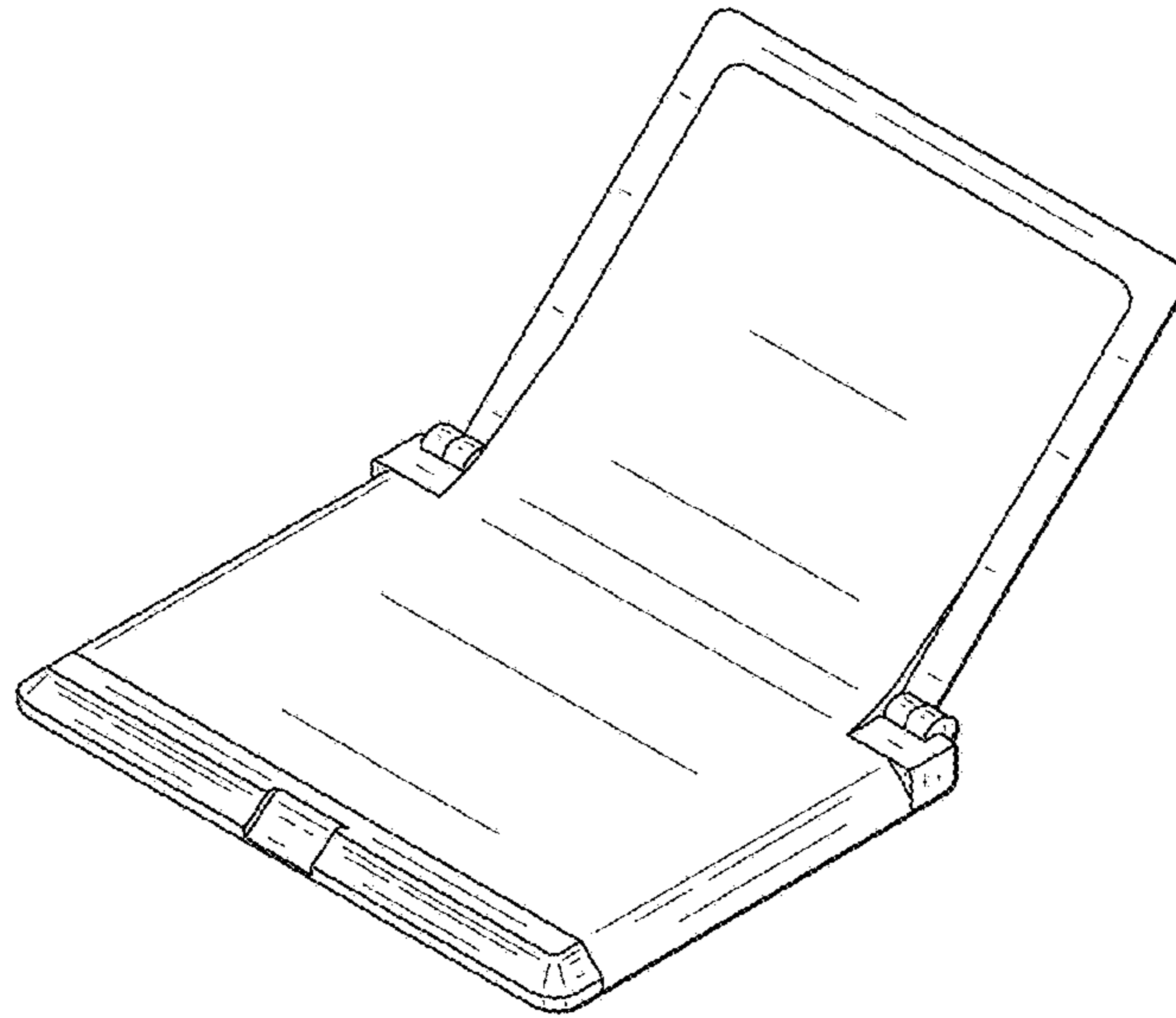


FIG. 2

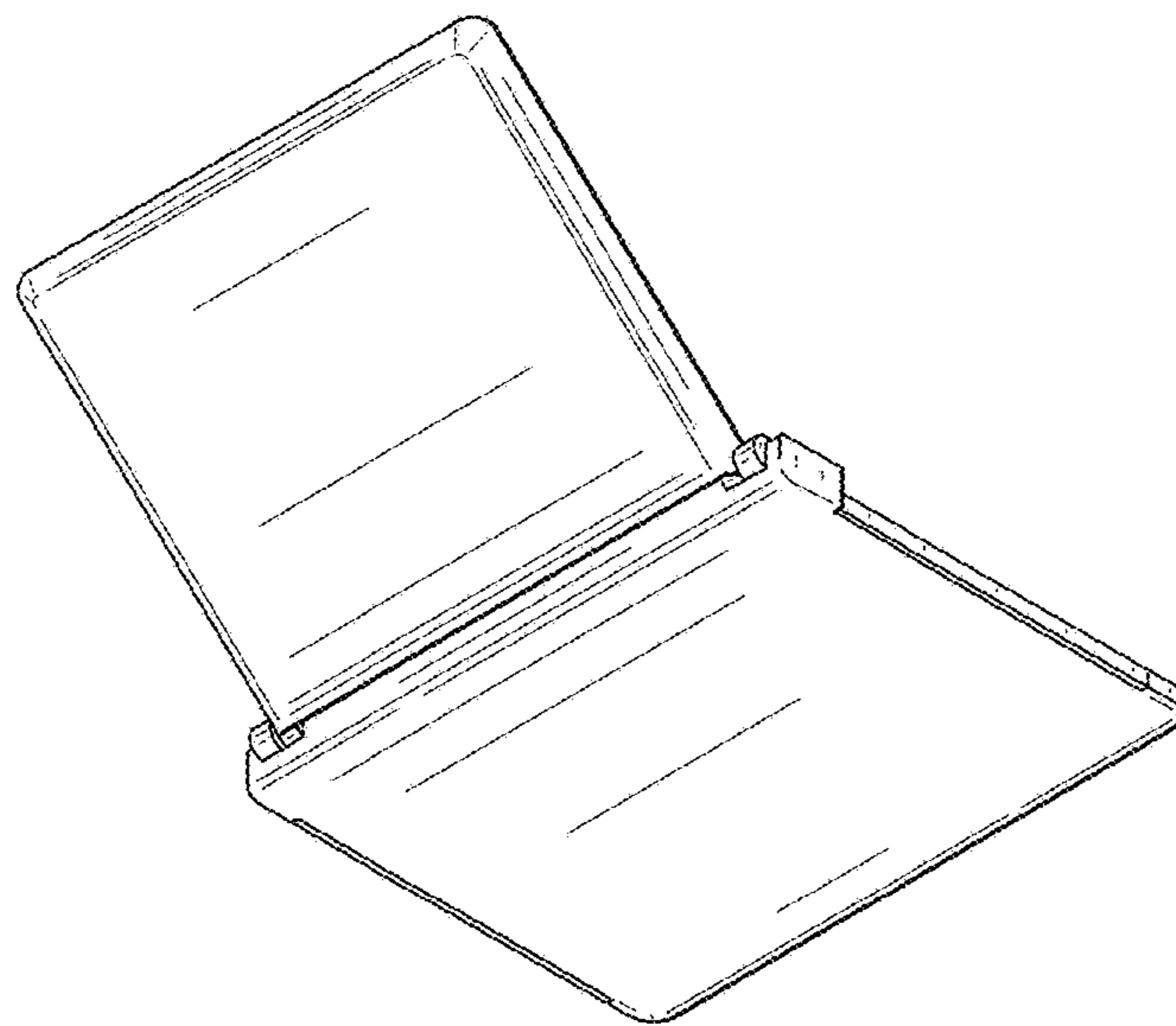


FIG. 3

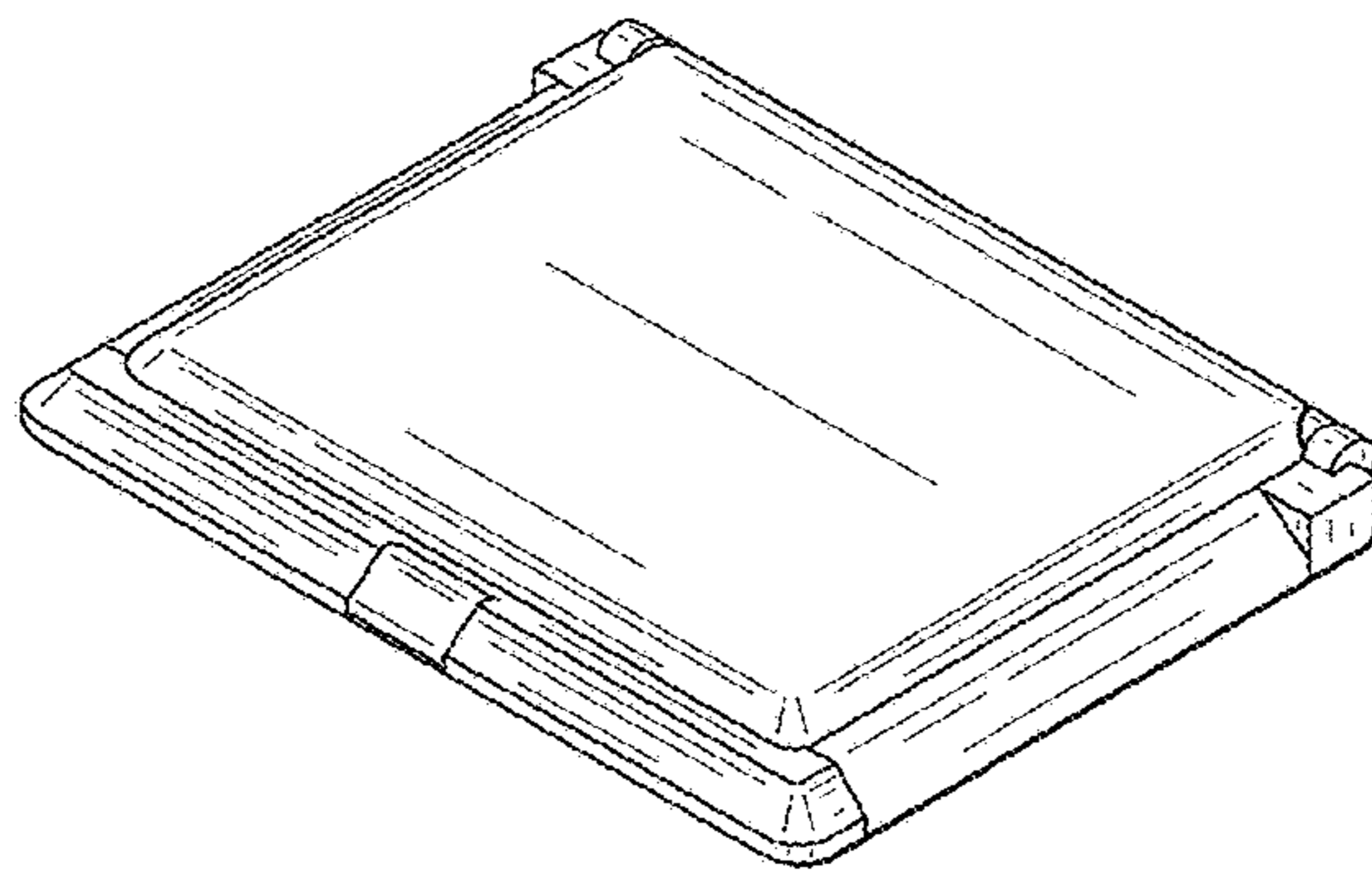


FIG. 4

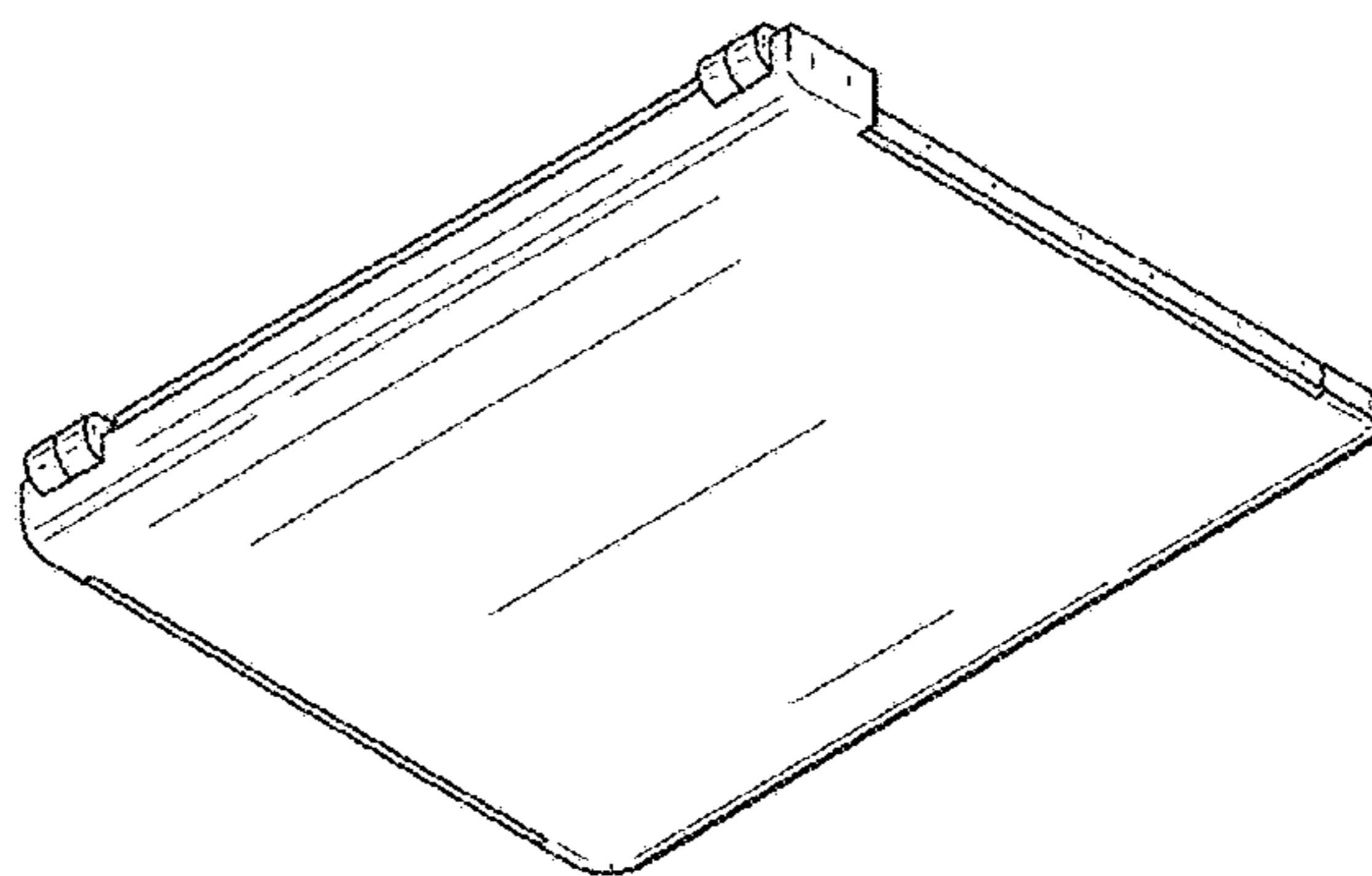


FIG. 5

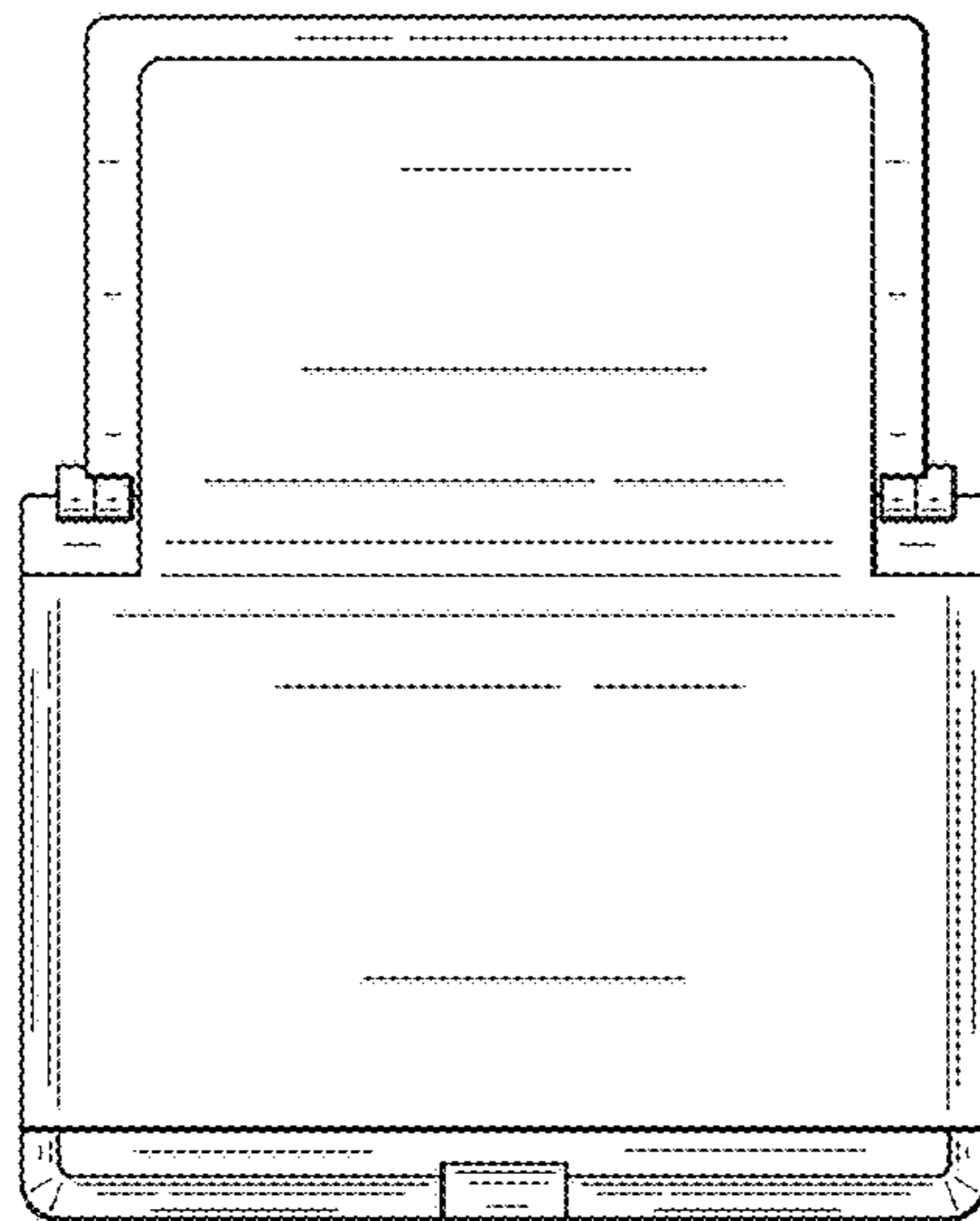


FIG. 6

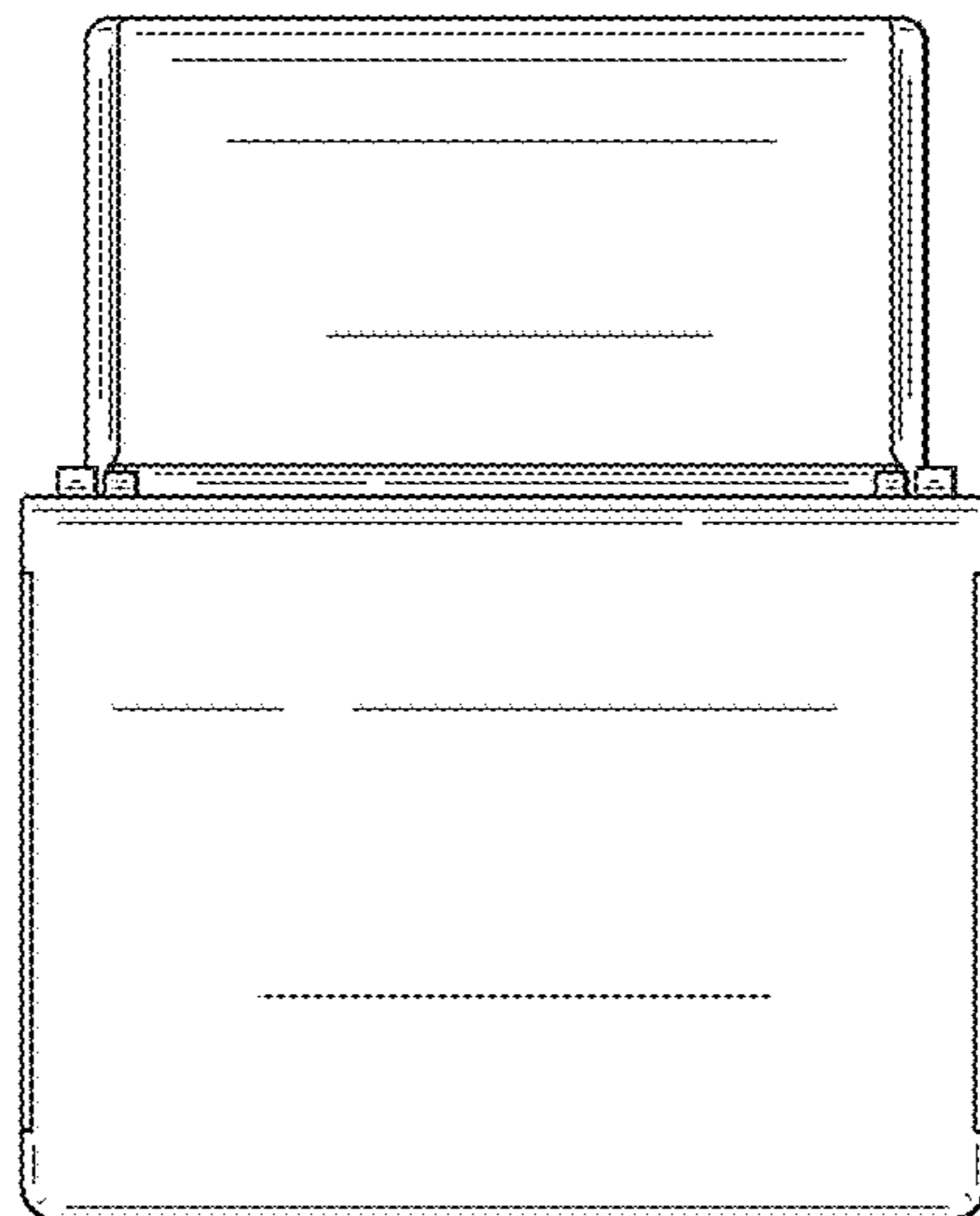


FIG. 7

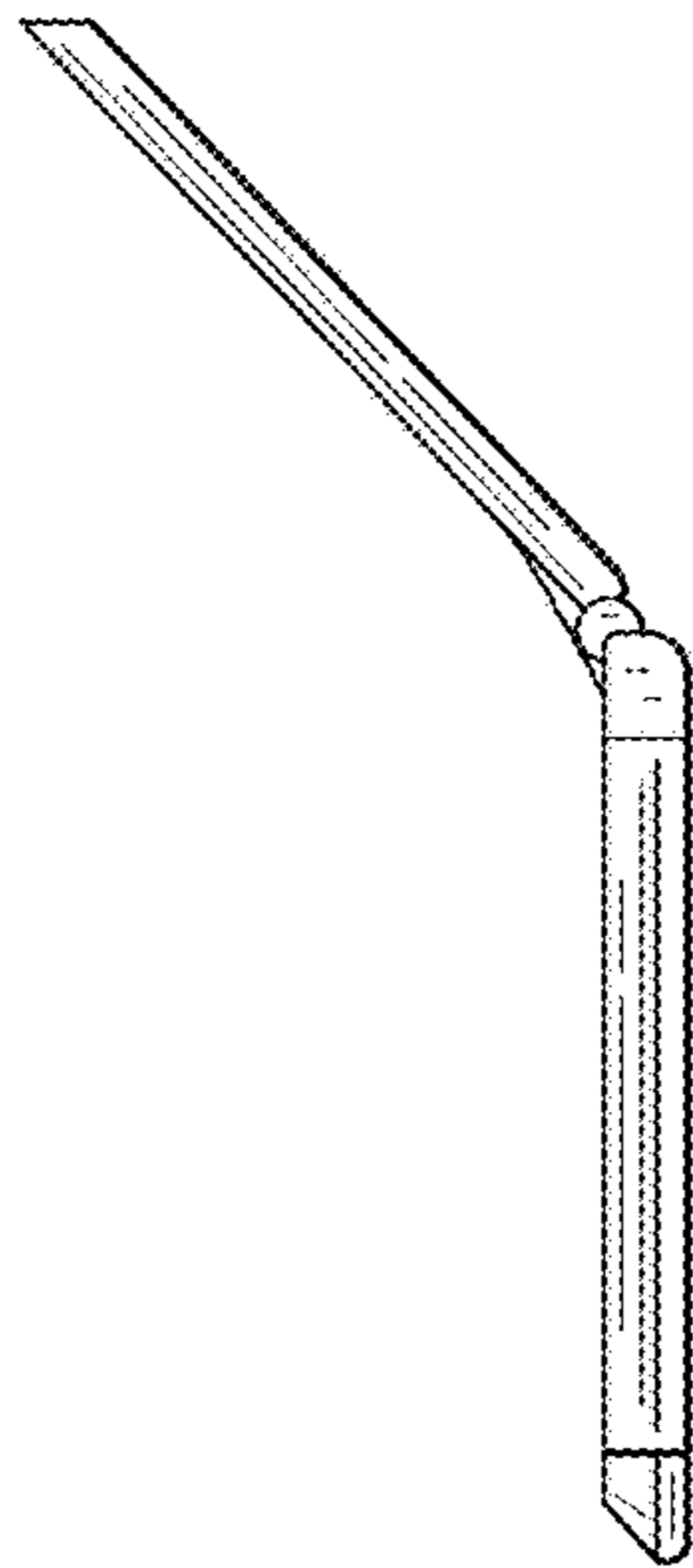


FIG. 8

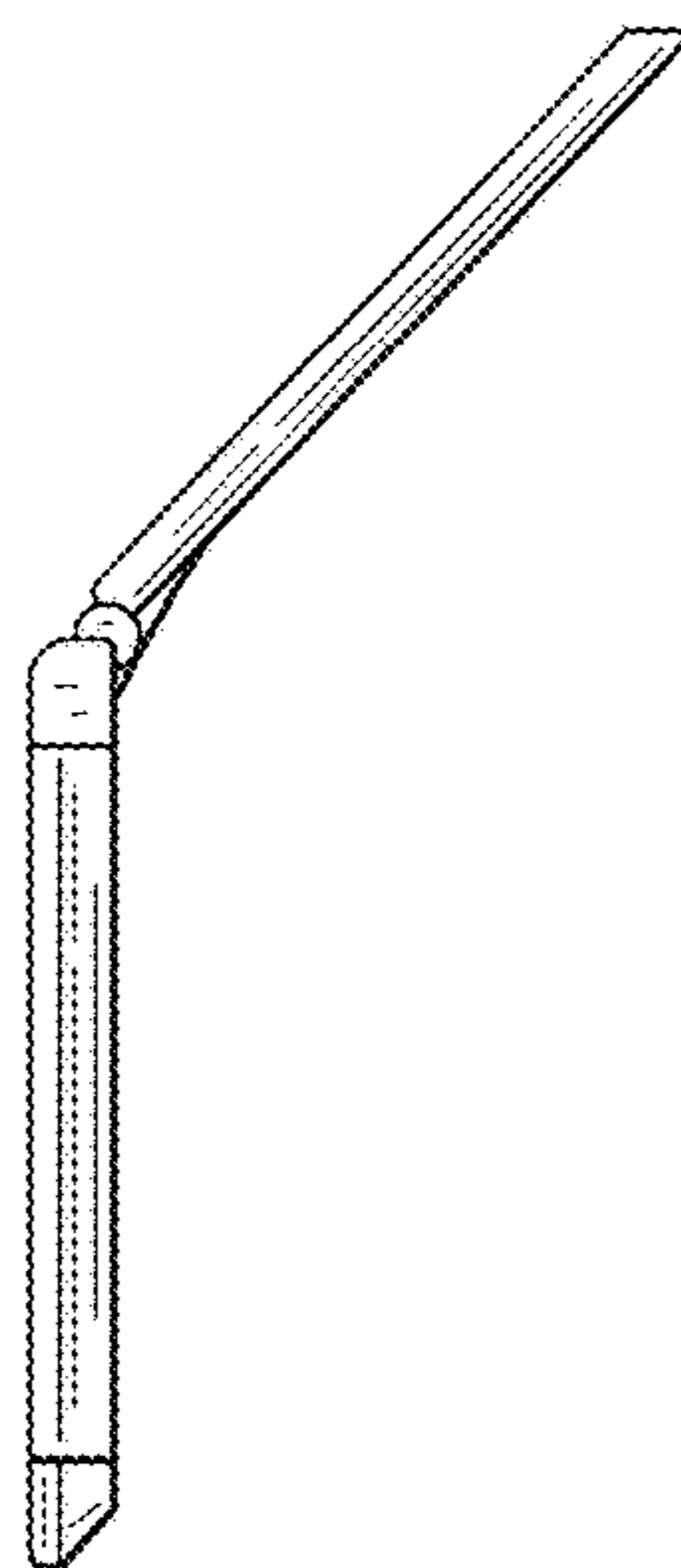


FIG. 9

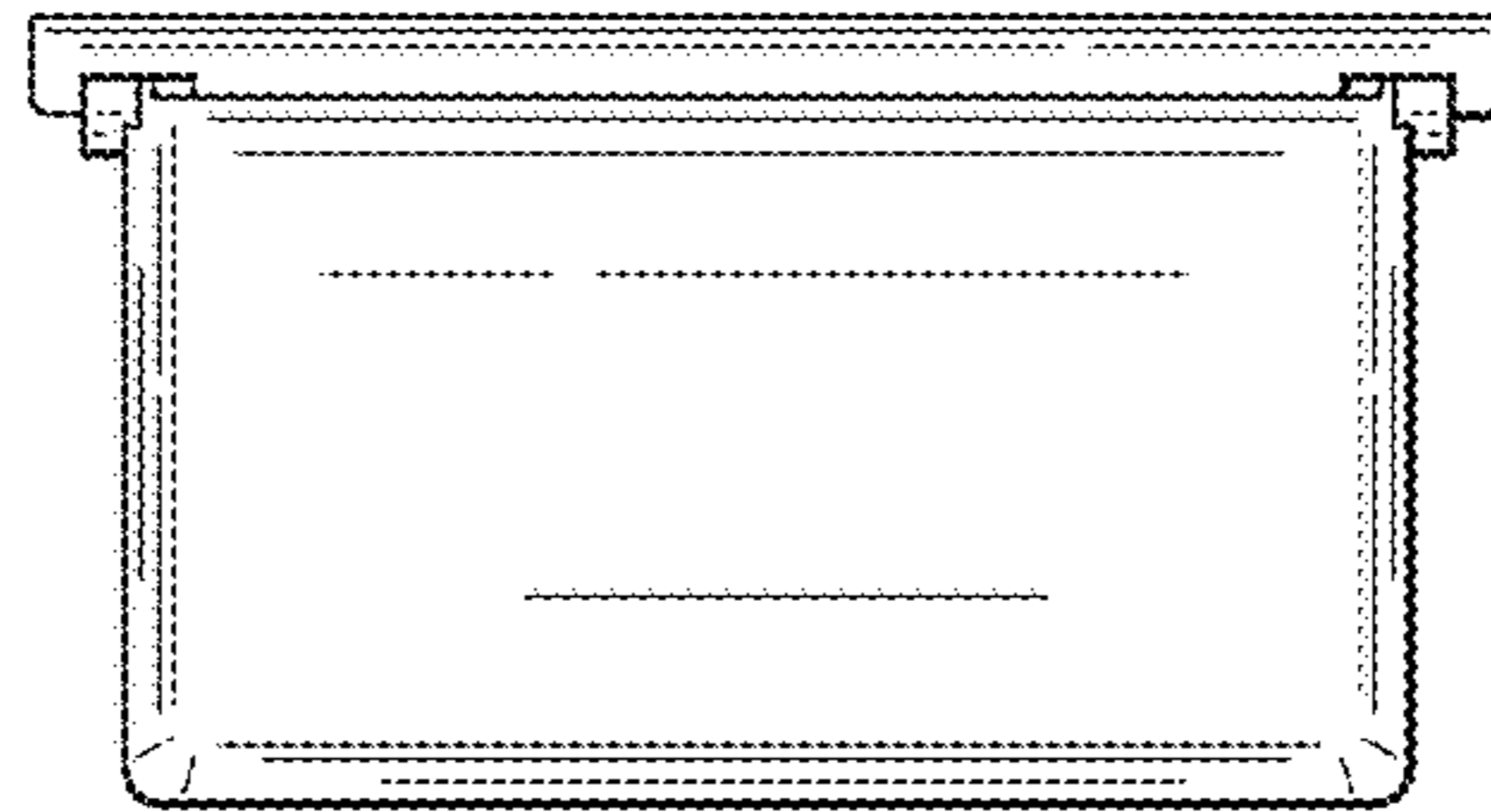


FIG. 10

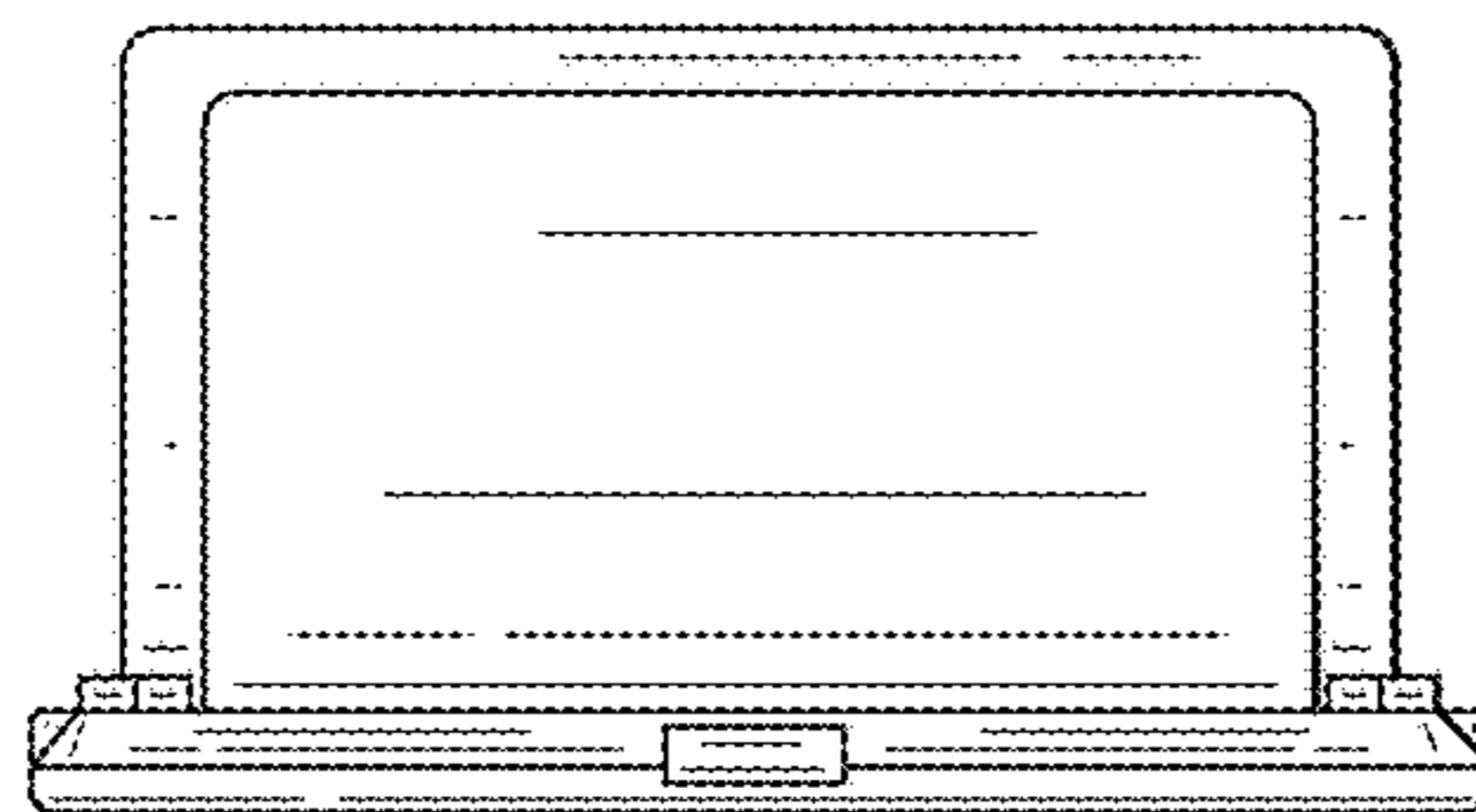


FIG. 11

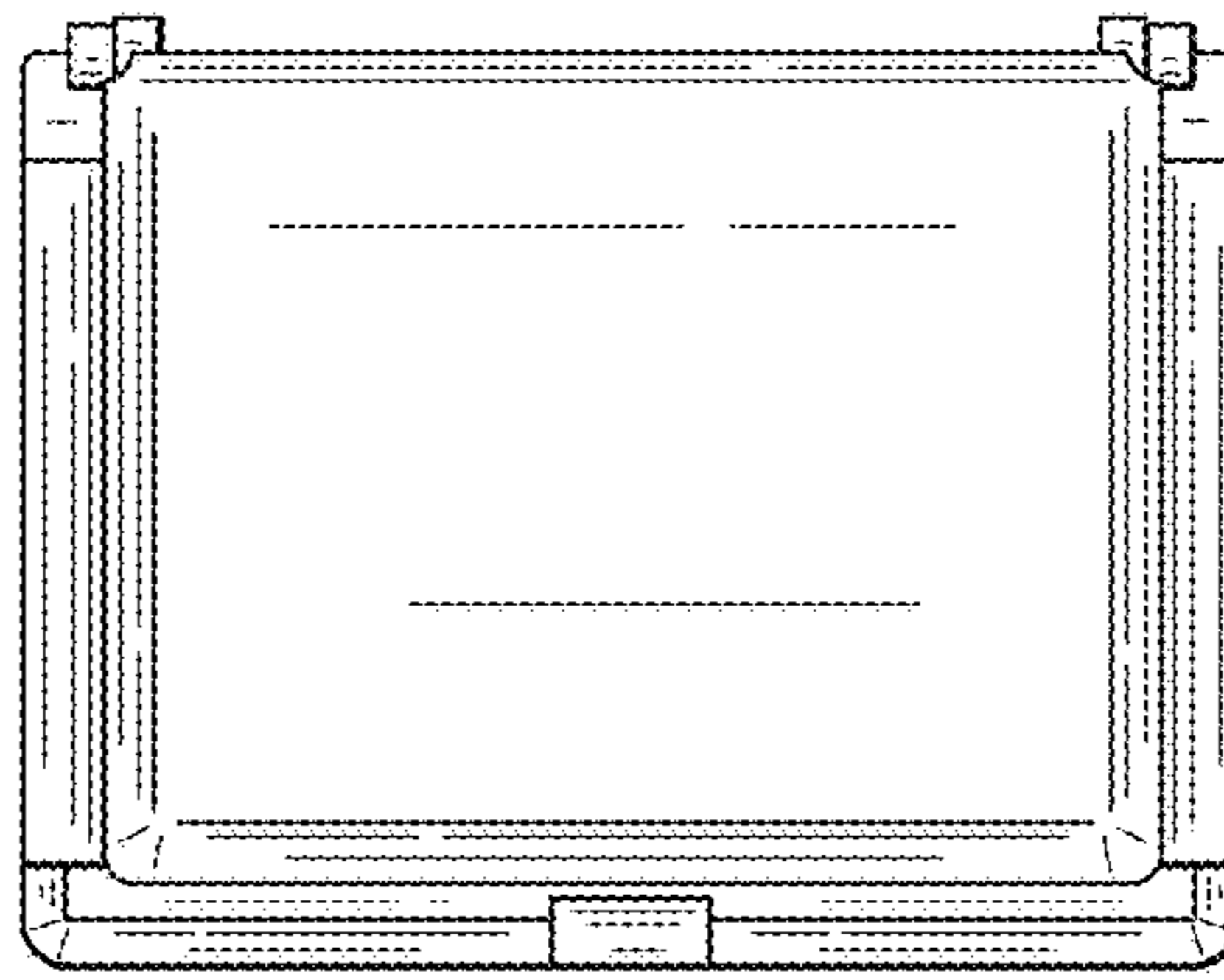


FIG. 12

