

US00D844601S

(12) **United States Design Patent**  
**Yamazaki et al.**

(10) **Patent No.:** **US D844,601 S**  
(45) **Date of Patent:** **\*\* Apr. 2, 2019**

(54) **PORTABLE INFORMATION TERMINAL**

(71) Applicant: **Semiconductor Energy Laboratory Co., Ltd.**, Atsugi-shi, Kanagawa-ken (JP)

(72) Inventors: **Shunpei Yamazaki**, Setagaya (JP); **Kensuke Yoshizumi**, Isehara (JP)

(73) Assignee: **Semiconductor Energy Laboratory Co., Ltd.**, Kanagawa-ken (JP)

(\*\*) Term: **15 Years**

(21) Appl. No.: **29/598,091**

(22) Filed: **Mar. 23, 2017**

(30) **Foreign Application Priority Data**

Sep. 30, 2016 (JP) ..... 2016-021232

(51) **LOC (11) Cl.** ..... **14-02**

(52) **U.S. Cl.**  
USPC ..... **D14/345**

(58) **Field of Classification Search**  
USPC ..... D14/125-129, 137, 138 AA, 138 AB, D14/138 G, 138 C, 138 R, 154, 159-165,  
(Continued)

(56) **References Cited**

**U.S. PATENT DOCUMENTS**

D713,841 S \* 9/2014 Lim ..... D14/341  
D719,540 S \* 12/2014 Lee ..... D14/138 AB  
(Continued)

**FOREIGN PATENT DOCUMENTS**

JP Des. 1259801 1/2006  
JP Des. 1511775 11/2014  
(Continued)

**OTHER PUBLICATIONS**

Samsung's foldable phone could transform into a 7-inch tablet, announced Jan. 11, 2017 [online], [retrieved Jul. 16, 2018]. Avail-

able from Internet, URL: <<https://mashable.com/2017/01/11/samsung-foldable-phone-transforms-into-tablet/#A.00WaP3B5qi>> (Year: 2017).\*

(Continued)

*Primary Examiner* — Barbara Fox

*Assistant Examiner* — Dana K Weiland

(74) *Attorney, Agent, or Firm* — Robinson Intellectual Property Law Office; Eric J. Robinson

(57) **CLAIM**

We claim, the ornamental design for a portable information terminal, as shown and described.

**DESCRIPTION**

FIG. 1 is a front view of a portable information terminal showing our new design;

FIG. 2 is a rear view thereof;

FIG. 3 is a right side view thereof;

FIG. 4 is a left side view thereof;

FIG. 5 is a top view thereof;

FIG. 6 is a bottom view thereof;

FIG. 7 is a perspective view thereof;

FIG. 8 is a perspective view thereof;

FIG. 9 is a front view thereof in which the portable information terminal is folded;

FIG. 10 is a right side view thereof in which the portable information terminal is folded;

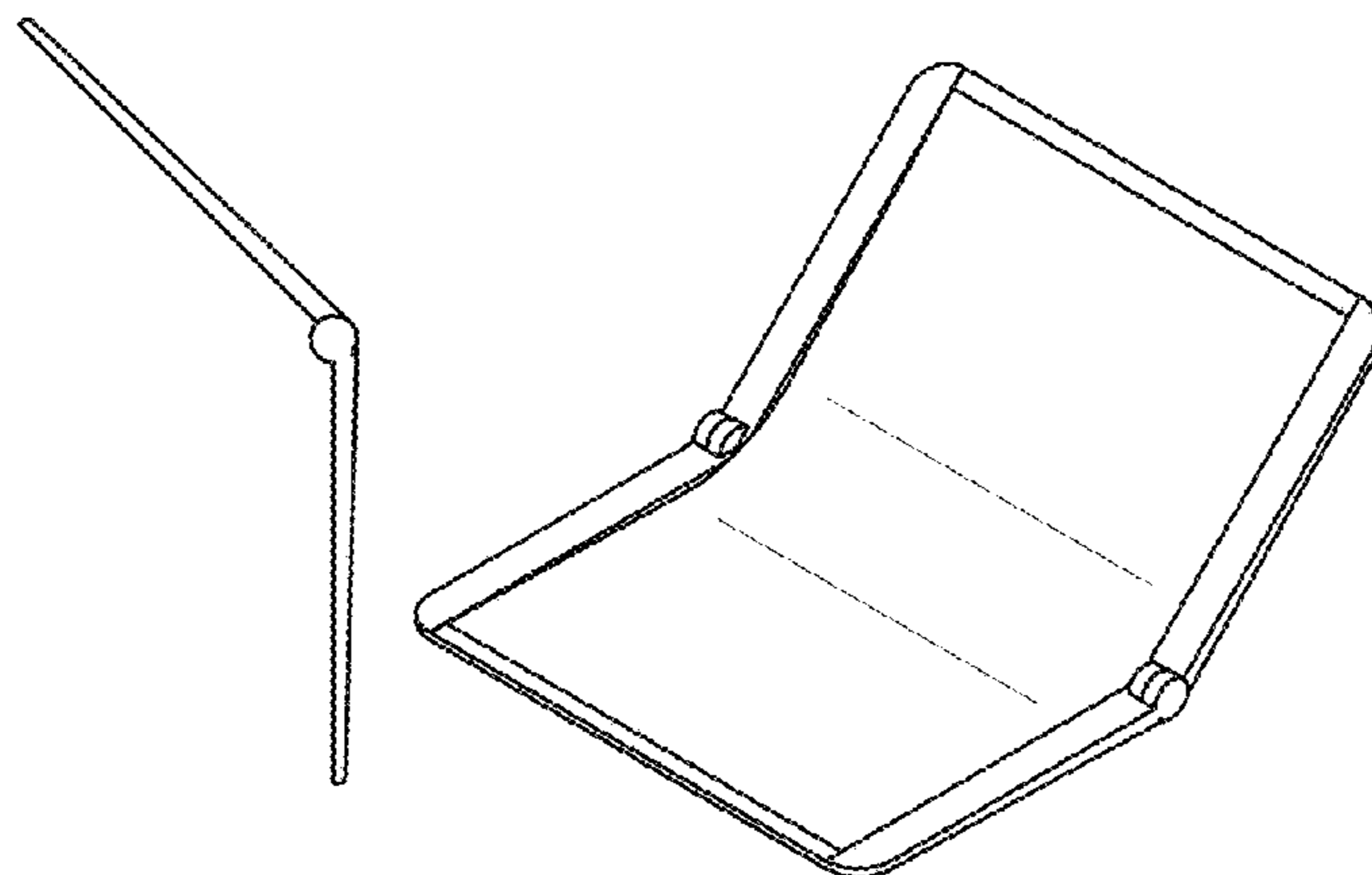
FIG. 11 is a perspective view thereof in which the portable information terminal is folded;

FIG. 12 is a perspective view thereof in which the portable information terminal is folded; and,

FIG. 13 is an enlarged sectional view taken along line 13-13 in FIG. 1 with internal mechanisms omitted.

The portable information terminal can function as a computer, a wireless communication device, a media reproducing device (e.g., a music player or a video player), a game machine, or the like. The portable information terminal can be folded so that a display portion is inside. The portable information terminal is used in a folded or unfolded state as necessary.

**1 Claim, 7 Drawing Sheets**



(58) **Field of Classification Search**

USPC ..... D14/167, 168, 170–172, 188, 192, 194,  
 D14/203.1, 0.3, 0.4, 0.7, 204, 205, 207,  
 D14/214–216, 223, 224, 238.1, 239, 248,  
 D14/250, 251, 253, 308, 317, 331, 336,  
 D14/337, 341–347, 371–377, 388, 389,  
 D14/420, 432, 439, 440, 447, 448, 451,  
 D14/452, 487, 496; D6/308, 310,  
 D6/406.1–406.6, 601; D10/104.1, 50, 65;  
 D21/329–332; D13/108  
 CPC ..... G06F 1/1601; G06F 1/1605; G06F 1/162;  
 G06F 1/1613; G06F 1/1647; G06F  
 1/1641; G06F 1/1616; G06F 1/1652;  
 G06F 3/04883; G06F 3/0486; G06F  
 3/0487; G06F 3/0484; H04M 1/0214;  
 H04R 1/02; H04R 5/00; H04R 9/06;  
 G08B 21/0288; G08B 21/02; F16M 11/00  
 See application file for complete search history.

9,655,235 B2 \* 5/2017 Hwang ..... G09F 9/301  
 9,720,455 B2 \* 8/2017 Jang ..... G06F 1/1681  
 D800,112 S \* 10/2017 Park ..... D14/345  
 9,791,891 B2 \* 10/2017 Jung ..... G06F 1/1652  
 D816,079 S \* 4/2018 Yamazaki ..... D14/341  
 2011/0242026 A1 \* 10/2011 Ishigaki ..... G06F 17/30991  
 345/173  
 2012/0002360 A1 \* 1/2012 Seo ..... G06F 1/1616  
 361/679.01  
 2012/0264489 A1 \* 10/2012 Choi ..... H04M 1/0216  
 455/566  
 2013/0307805 A1 \* 11/2013 Arai ..... G06F 3/04883  
 345/173  
 2015/0062028 A1 \* 3/2015 Go ..... G06F 1/1616  
 345/173  
 2015/0378397 A1 \* 12/2015 Park ..... G06F 1/1652  
 361/679.27

**FOREIGN PATENT DOCUMENTS**

JP	Des. 1465491	3/2015
KR	30-0608375	8/2011
KR	30-0689166	4/2013

(56) **References Cited**

**U.S. PATENT DOCUMENTS**

D719,541 S 12/2014 Leey et al.  
 9,013,368 B1 \* 4/2015 Kim ..... G06F 3/1446  
 345/1.1  
 D741,856 S \* 10/2015 Yamazaki ..... D14/341  
 D745,516 S \* 12/2015 Yamazaki ..... D14/341  
 D747,284 S \* 1/2016 Endo ..... D14/126  
 D761,254 S \* 7/2016 Yamazaki ..... D14/341  
 D768,624 S \* 10/2016 Bae ..... D14/331  
 D770,448 S \* 11/2016 Endo ..... D14/341

**OTHER PUBLICATIONS**

Lenovo's Flexible Display Wrist Phone and Foldable Tablet, announced Sep. 11, 2016 [online], [retrieved Jul. 18, 2018]. Available from Internet, URL: <<http://www.shelltechnos.com/gadgets/lenovo-flexible-display-wrist-phone-and-foldable-tablet/>> (Year: 2016).\*  
 Specification and Drawings of Design U.S. Appl. No. 29/597,729, filed Mar. 20, 2017.

\* cited by examiner

Fig. 1

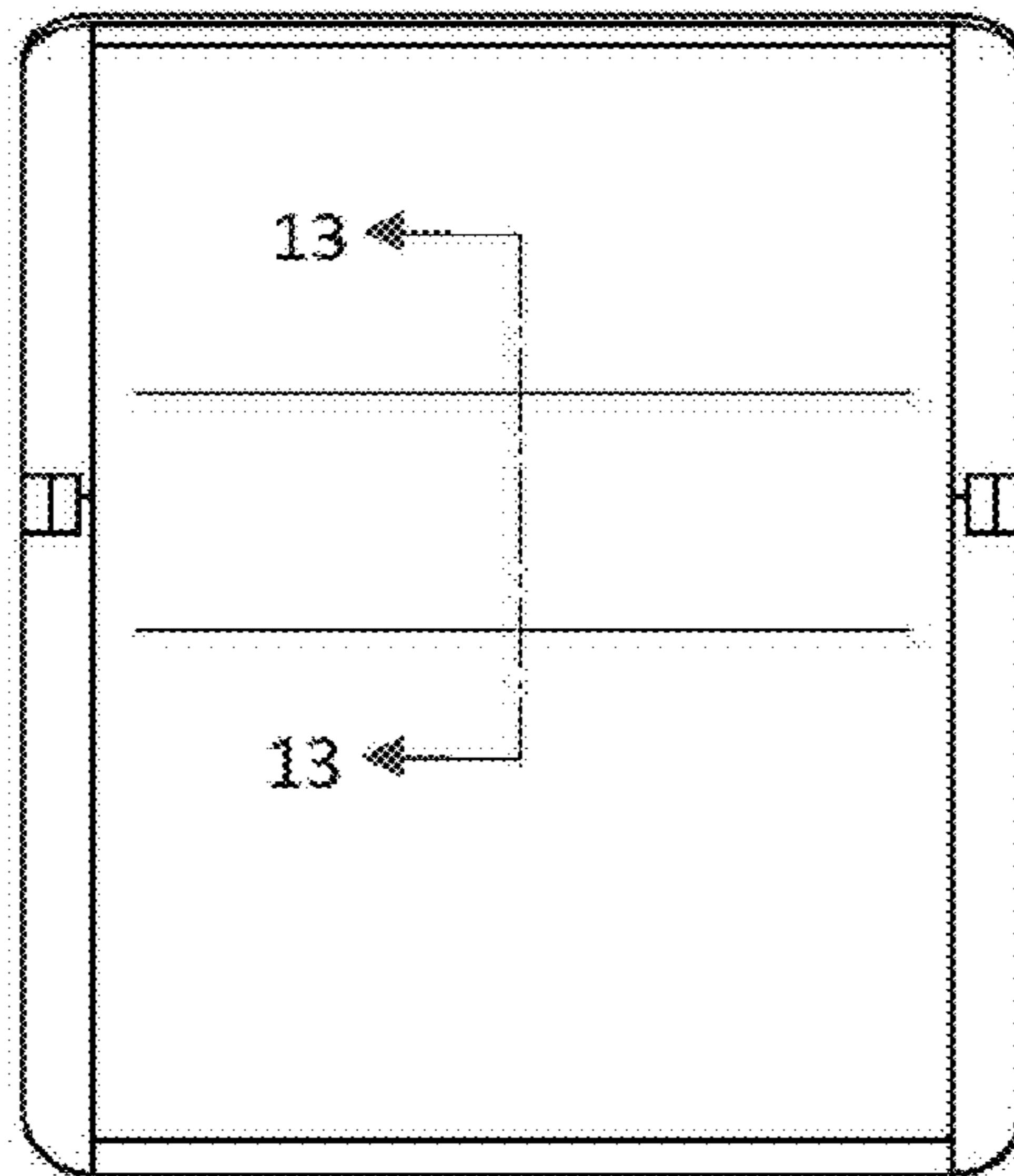


Fig. 2

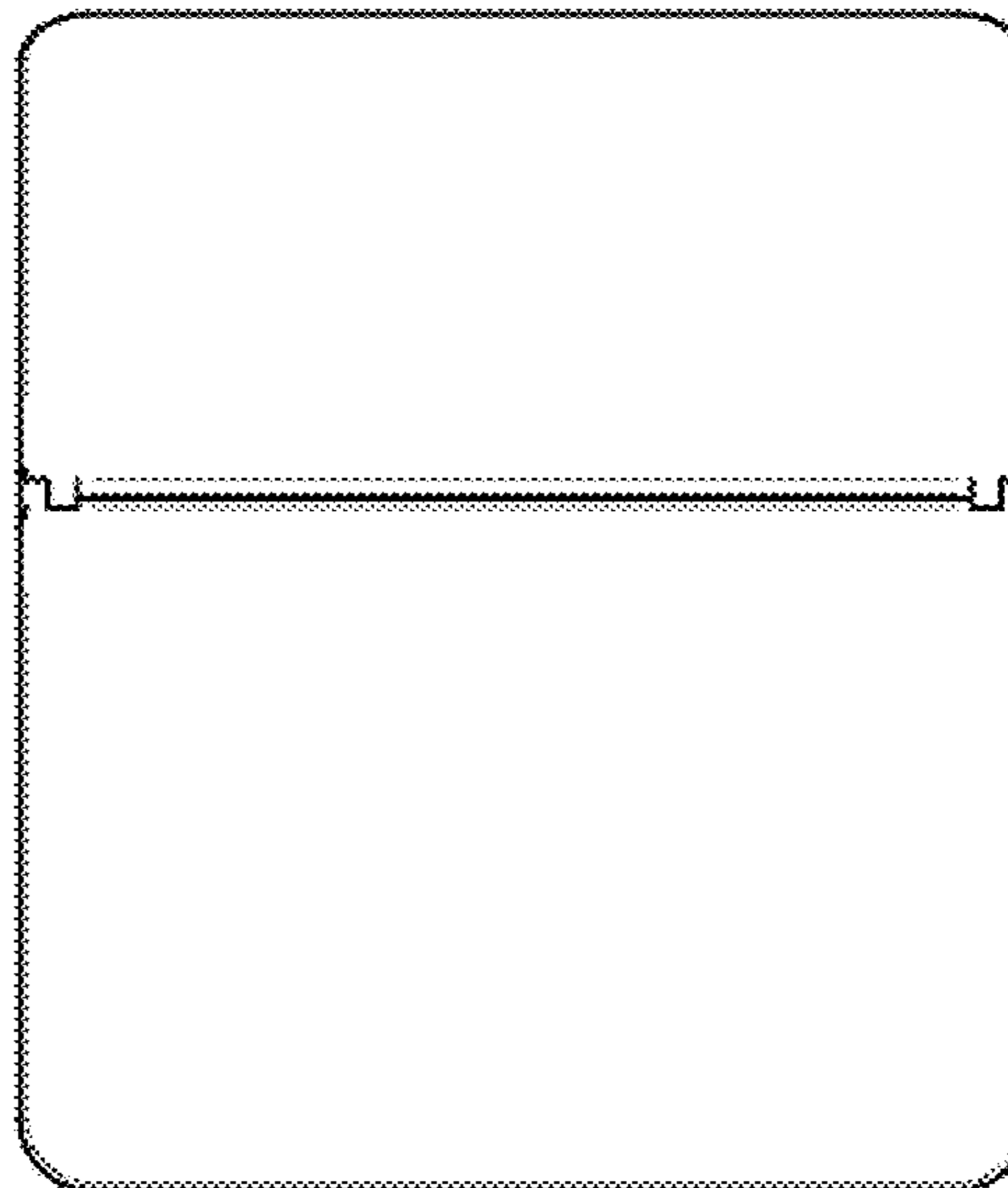


Fig. 3

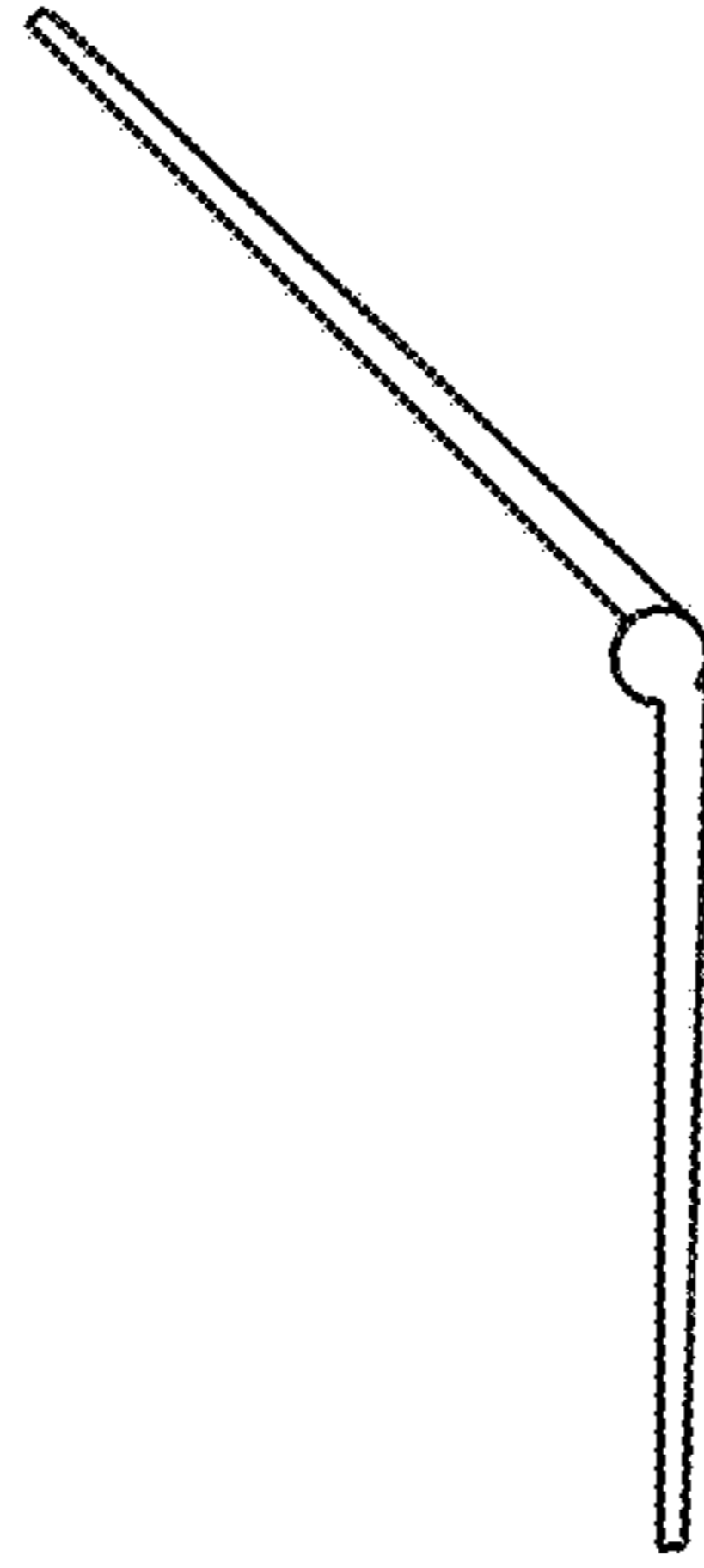


Fig. 4

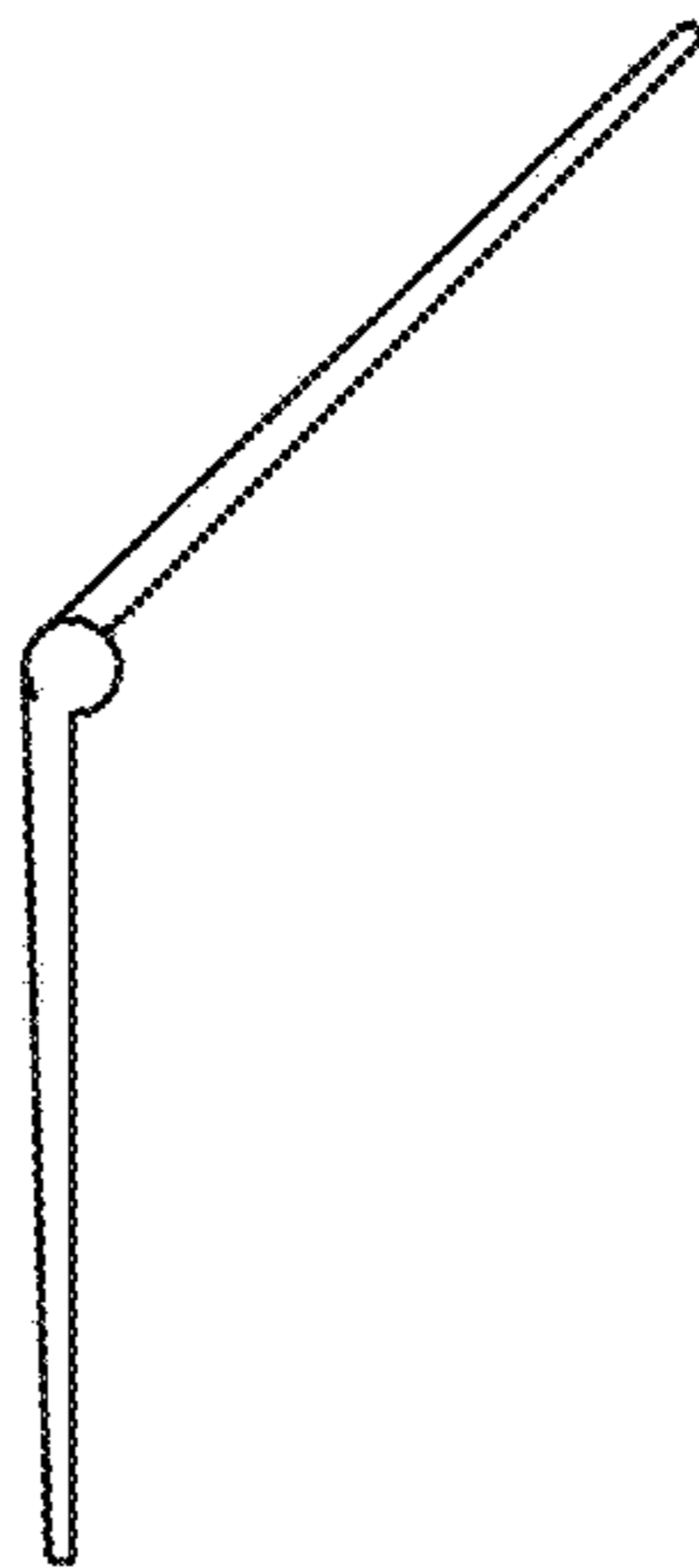


Fig. 5



Fig. 6



Fig. 7

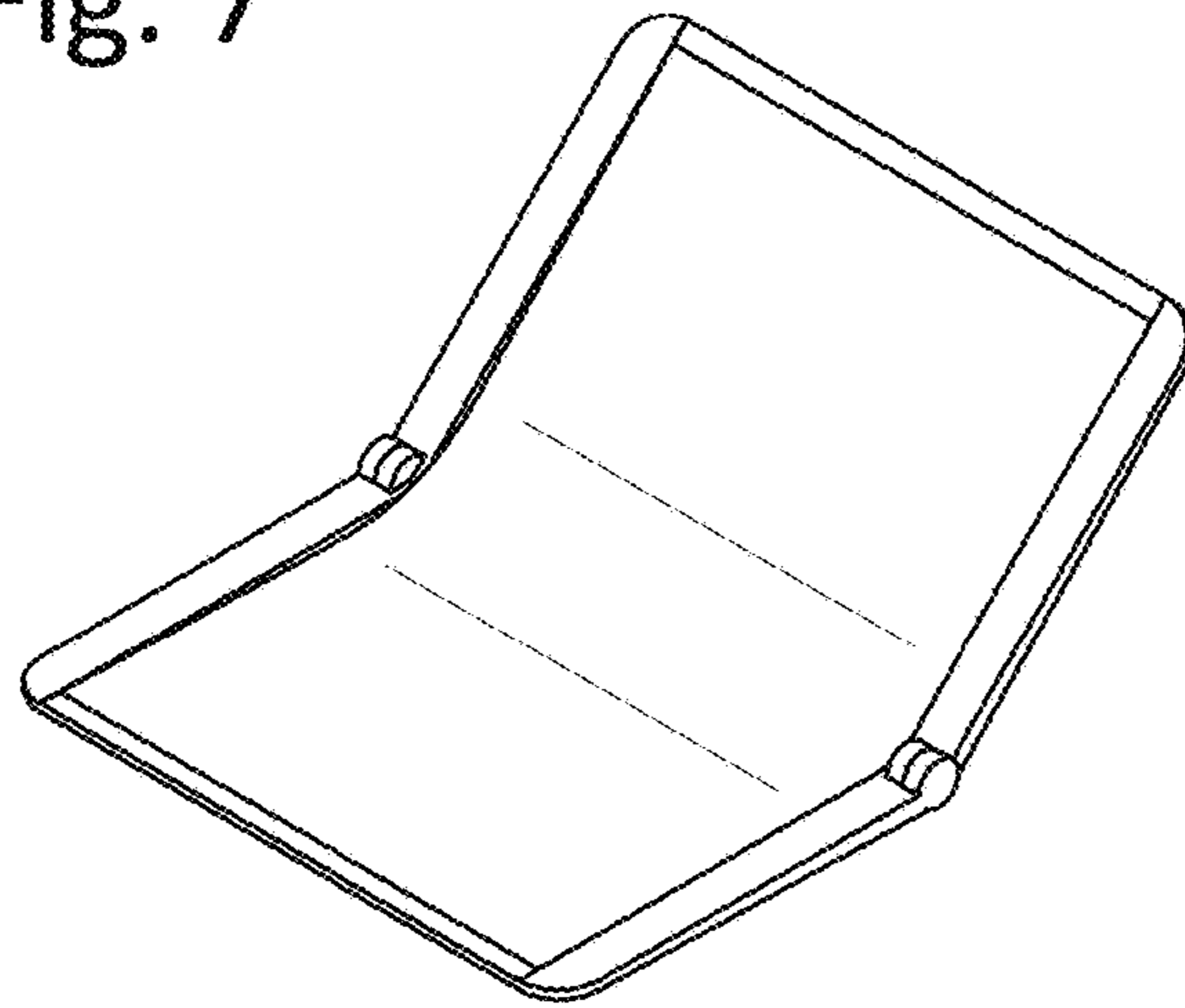


Fig. 8

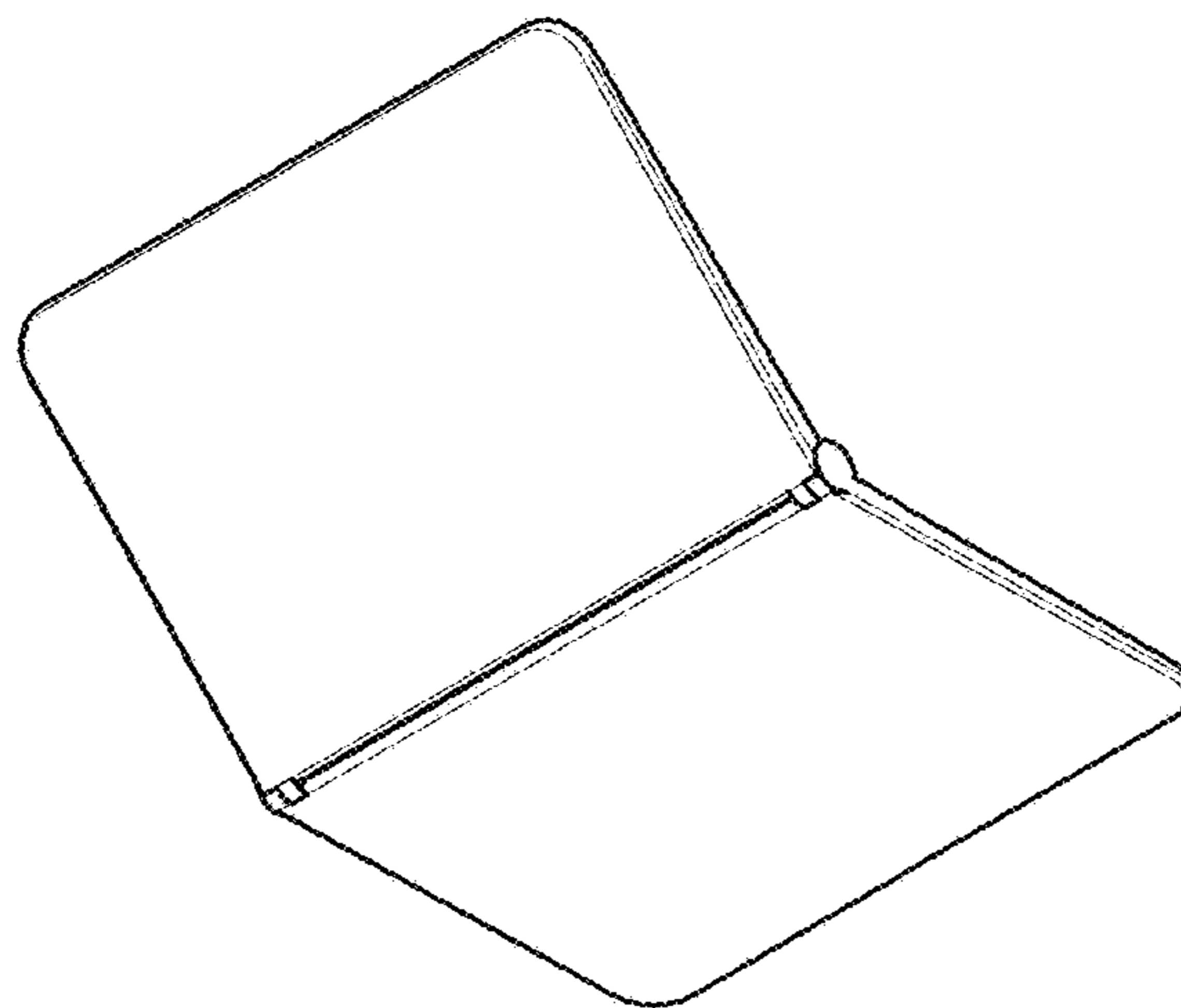


Fig. 9

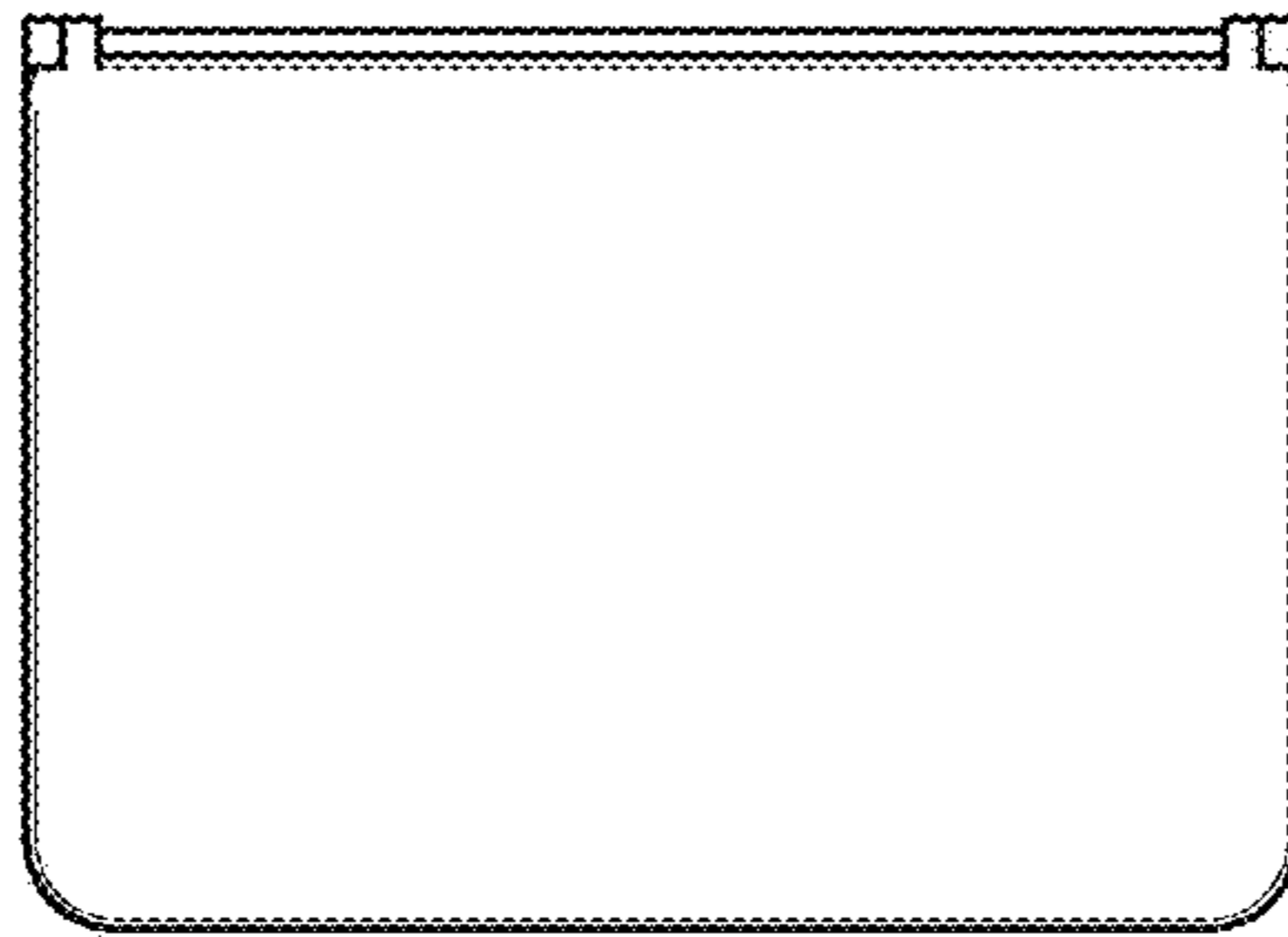


Fig. 10

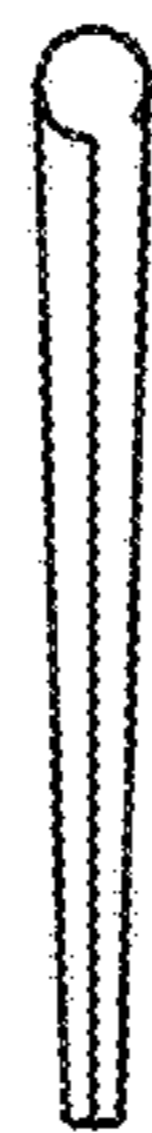


Fig. 11

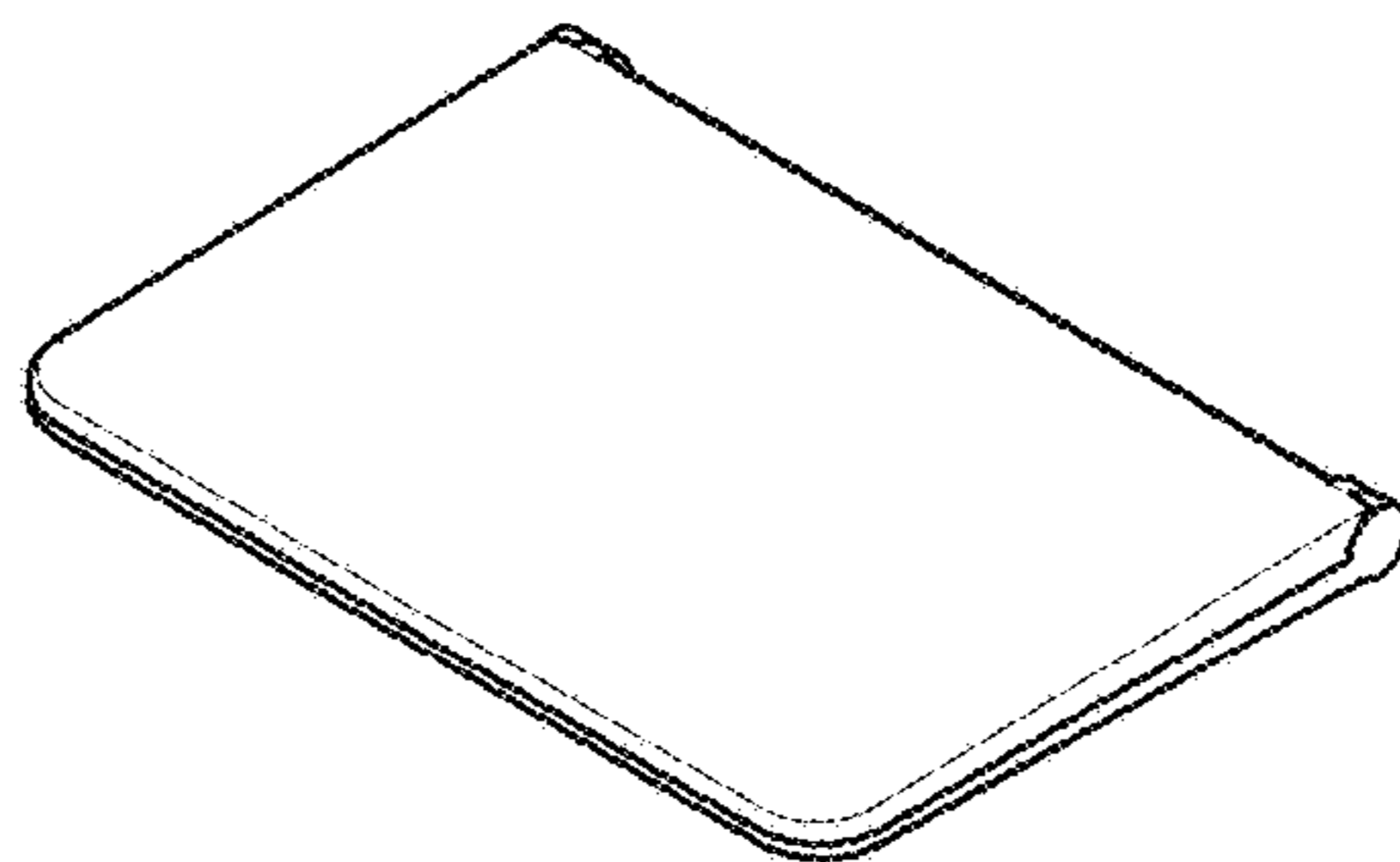


Fig. 12

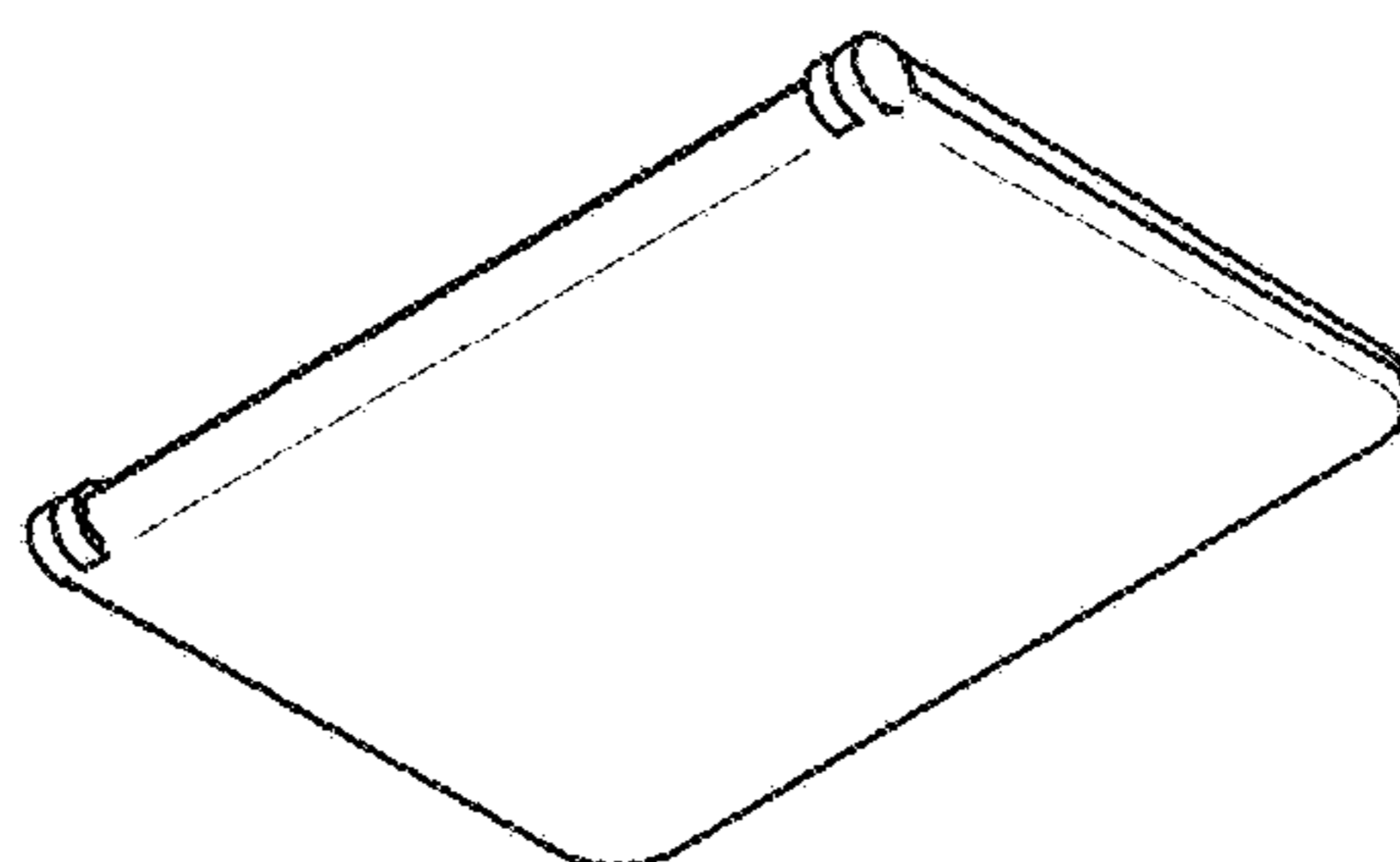




Fig. 13

