

US00D844597S

(12) **United States Design Patent**  
**Ahn**

(10) **Patent No.:** **US D844,597 S**  
(45) **Date of Patent:** **\*\* Apr. 2, 2019**

(54) **CASE FOR ELECTRONIC COMMUNICATIONS DEVICE**

(71) Applicant: **SPIGEN KOREA CO., LTD.**, Seoul (KR)

(72) Inventor: **Deok Hyun Ahn**, Seoul (KR)

(73) Assignee: **SPIGEN KOREA CO., LTD.**, Seoul (KR)

(\*\*) Term: **15 Years**

(21) Appl. No.: **29/616,239**

(22) Filed: **Sep. 5, 2017**

(51) **LOC (11) Cl.** ..... **14-03**

(52) **U.S. Cl.**  
USPC ..... **D14/250**

(58) **Field of Classification Search**  
USPC ..... D3/218, 232, 233, 239, 242, 245-251, D3/269, 273, 301, 303; D13/103, 107,  
(Continued)

(56) **References Cited**

U.S. PATENT DOCUMENTS

D528,110 S \* 9/2006 Cohn ..... D14/248  
D577,904 S 10/2008 Sasaki  
(Continued)

*Primary Examiner* — Susan E Krakower  
*Assistant Examiner* — L. A. Grabenstetter  
(74) *Attorney, Agent, or Firm* — Heedong Chae; Lucem, PC

(57) **CLAIM**

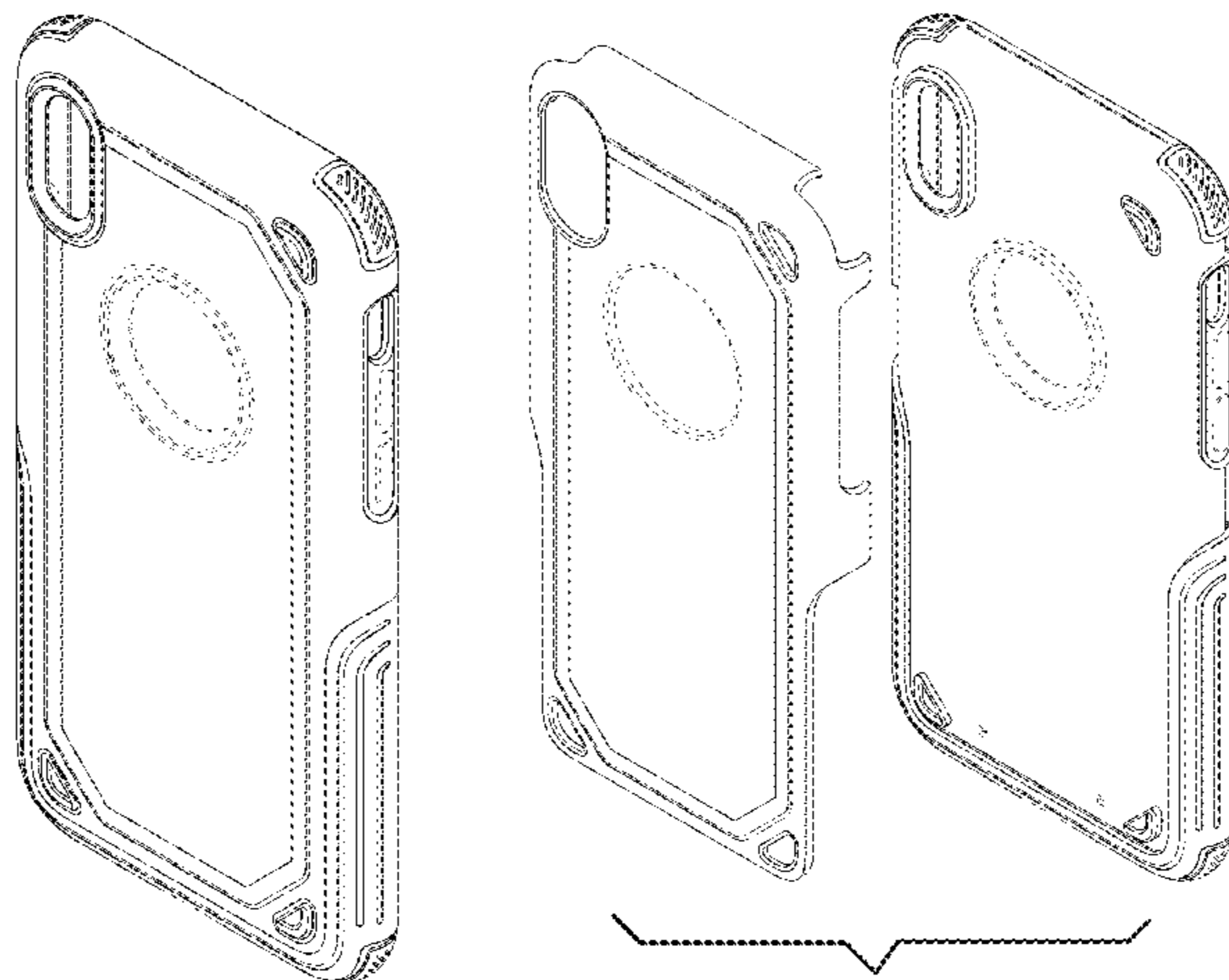
The ornamental design for a case for electronic communications device, as shown and described.

**DESCRIPTION**

FIG. 1 is a front elevational view of a case for electronic communications device showing my new design;

FIG. 2 is a rear elevational view thereof;  
FIG. 3 is a left side elevational view thereof;  
FIG. 4 is a right side elevational view thereof;  
FIG. 5 is a top plan view thereof;  
FIG. 6 is a bottom plan view thereof;  
FIG. 7 is a front perspective view thereof;  
FIG. 8 is a rear perspective view thereof;  
FIG. 9 is a front perspective view of the inner shell component of the case, shown isolated for clarity of disclosure;  
FIG. 10 is a rear perspective view of the inner shell component of the case, shown isolated for clarity of disclosure;  
FIG. 11 is a front perspective view of the outer frame component of the case, shown isolated for clarity of disclosure;  
FIG. 12 is a rear perspective view of the outer frame component of the case, shown isolated for clarity of disclosure;  
FIG. 13 is an exploded front perspective view of the components of the case, in which the inner shell and outer frame components are shown separated for clarity of disclosure; and,  
FIG. 14 is an exploded rear perspective view of the components of the case, in which the inner shell and outer frame components are shown separated for clarity of disclosure.  
The case for electronic communications device, in which the claimed design is embodied, consists of the two components, an outer frame and an inner shell, shown as separately in FIGS. 9-14. However, the claim is directed to the overall ornamental appearance of the case for electronic communications device in its entirety and does not extend to the ornamental appearance of each of the individual components.  
The broken lines and regions bounded by broken lines depict portions of the case for electronic communications device that form no part of the claimed design. Except for the interior surfaces bounded by solid lines that immediately surround the interior of the camera opening and the interior of the side opening, the interior of the case for electronic communications device shown in FIGS. 1, 7, 9, and 13 forms no part of the claimed design.

**1 Claim, 14 Drawing Sheets**



(58) **Field of Classification Search**  
 USPC .... D13/108, 119; D14/137, 138 R, 138 AA,  
 D14/138 C, 138 G, 203.3–203.7, 217,  
 D14/238.1, 247, 248, 250, 251–253, 440  
 CPC ..... H04B 1/3888; H04M 1/0283;  
 H04M 1/0202; A45C 1/06; A45C  
 2011/002; A45C 11/00; A45F 2005/028;  
 A45F 2200/0525  
 See application file for complete search history.

(56) **References Cited**

U.S. PATENT DOCUMENTS

D620,000 S \* 7/2010 Bau ..... D14/250  
 D633,089 S 2/2011 Hsu  
 D638,005 S 5/2011 Richardson et al.  
 D646,673 S 10/2011 Fathollahi  
 D654,491 S 2/2012 Melanson et al.  
 D656,135 S \* 3/2012 Swartz ..... D14/238.1  
 D656,495 S \* 3/2012 Andre ..... D14/250  
 D668,646 S 10/2012 Li  
 D669,889 S 10/2012 Li  
 D670,279 S 11/2012 Veltz  
 D671,933 S \* 12/2012 Rodgers ..... D14/250  
 D673,541 S 1/2013 Weller et al.  
 D673,939 S 1/2013 Chang et al.  
 D675,604 S 2/2013 Limber  
 D675,605 S 2/2013 Adelman  
 D675,606 S 2/2013 Adelman  
 D683,338 S 5/2013 Wilson et al.  
 D685,361 S 7/2013 Goradesky et al.  
 D691,122 S 10/2013 Bau  
 D696,234 S 12/2013 Wright  
 D703,649 S 4/2014 Wikel et al.  
 D705,769 S \* 5/2014 Esses ..... D14/250  
 D706,255 S 6/2014 Akana et al.  
 D709,063 S 7/2014 Chang et al.  
 D709,485 S 7/2014 Bishop  
 D714,276 S 9/2014 Hu et al.  
 D716,294 S 10/2014 Park  
 D717,779 S \* 11/2014 Dong ..... D14/250  
 D721,072 S 1/2015 Laffon de Mazieres et al.  
 D721,360 S 1/2015 Laffon de Mazieres et al.  
 D724,065 S 3/2015 Fathollahi  
 D728,549 S 5/2015 Su  
 D733,154 S 6/2015 Armstrong  
 D741,310 S 10/2015 Bertrand

D745,505 S \* 12/2015 Barfoot ..... D14/250  
 D745,524 S 12/2015 Hung  
 D745,866 S \* 12/2015 Adelman ..... D14/250  
 D755,722 S 5/2016 Sasaki et al.  
 D755,772 S 5/2016 Sasaki  
 D762,631 S 8/2016 Kim  
 D762,633 S 8/2016 Fife  
 D763,243 S 8/2016 Adelman  
 D763,842 S 8/2016 Chang et al.  
 D763,854 S 8/2016 Domke  
 D765,633 S 9/2016 Northrup et al.  
 D765,635 S 9/2016 Chang et al.  
 D765,644 S 9/2016 Witter et al.  
 D766,885 S \* 9/2016 Armstrong ..... D14/250  
 D767,551 S 9/2016 Sasaki et al.  
 D767,552 S 9/2016 Sasaki et al.  
 D769,855 S 10/2016 Deng  
 D772,856 S \* 11/2016 Taylor ..... D14/250  
 D775,100 S 12/2016 Teruyama  
 D775,617 S 1/2017 Samson  
 D776,104 S 1/2017 Tien  
 D776,105 S 1/2017 Han  
 D776,649 S \* 1/2017 Kim ..... D14/250  
 D777,727 S 1/2017 Maicon  
 D779,471 S 2/2017 Tien  
 D780,167 S 2/2017 Tien  
 D780,741 S 3/2017 Yin  
 D783,588 S 4/2017 Chang  
 D785,612 S 5/2017 Kim  
 D786,226 S 5/2017 Kim  
 D786,230 S \* 5/2017 Yang ..... D14/250  
 D786,853 S 5/2017 Friedland  
 D794,006 S 8/2017 Dong  
 D794,626 S 8/2017 Armstrong et al.  
 D798,287 S 9/2017 Wright et al.  
 D800,103 S 10/2017 Andre et al.  
 D800,712 S 10/2017 Lai et al.  
 D800,716 S 10/2017 Akana et al.  
 D806,082 S 12/2017 Armstrong et al.  
 2003/0003956 A1 1/2003 Maenpaa  
 2012/0325720 A1 12/2012 Tages  
 2013/0271897 A1 10/2013 Limber  
 2014/0049476 A1 2/2014 Bragin  
 2015/0068934 A1 3/2015 Armstrong  
 2016/0021996 A1 1/2016 Tien  
 2016/0058143 A1 3/2016 Tien  
 2016/0219999 A1 8/2016 Chang  
 2016/0285497 A1 \* 9/2016 Roberts ..... A45F 5/00

\* cited by examiner

FIG. 1

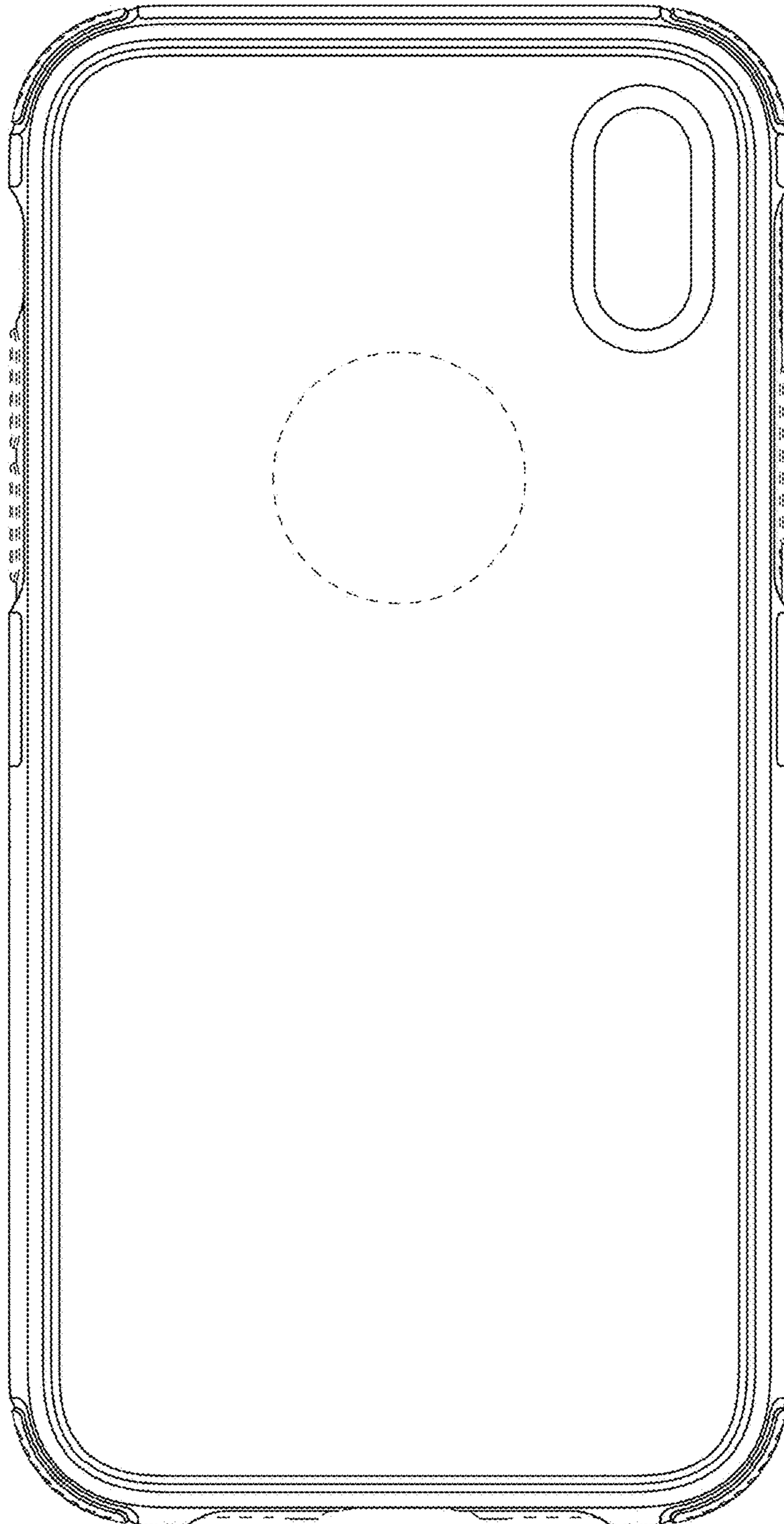


FIG. 2

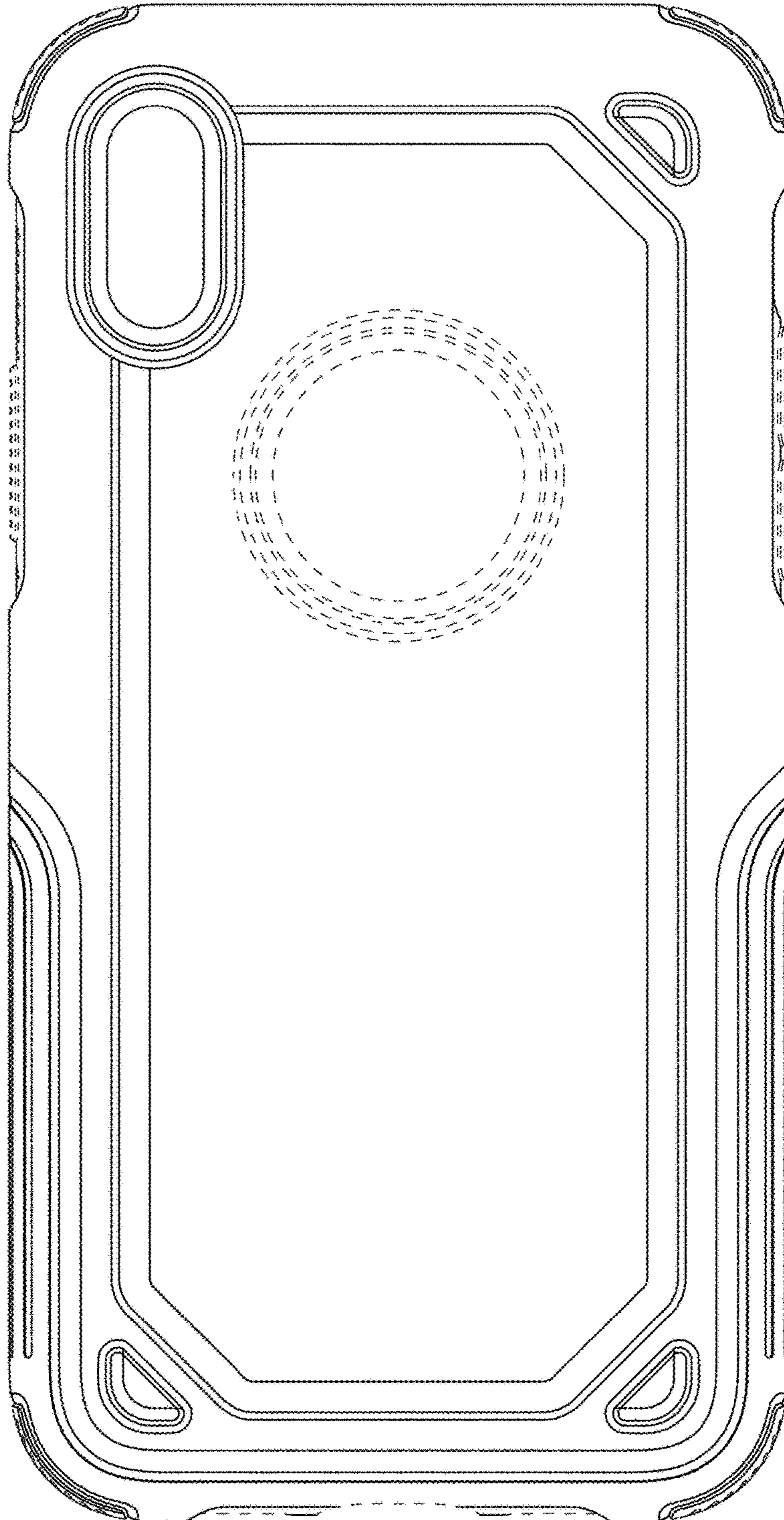


FIG. 3

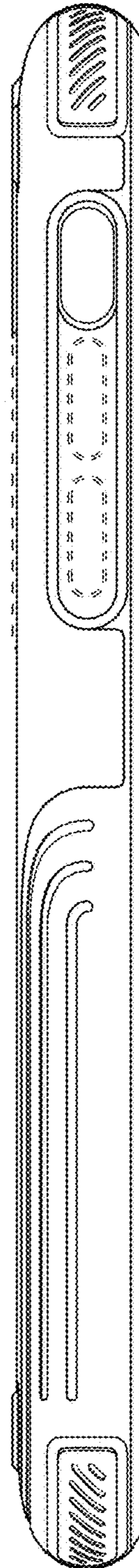


FIG. 4

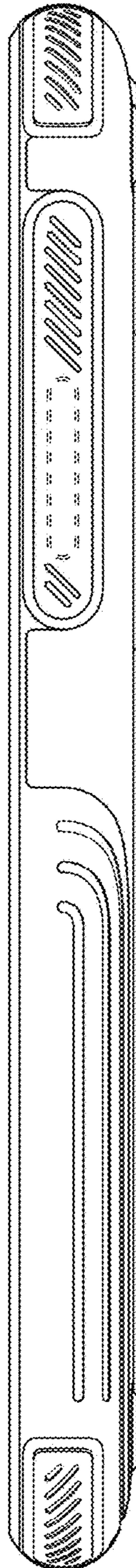


FIG. 5

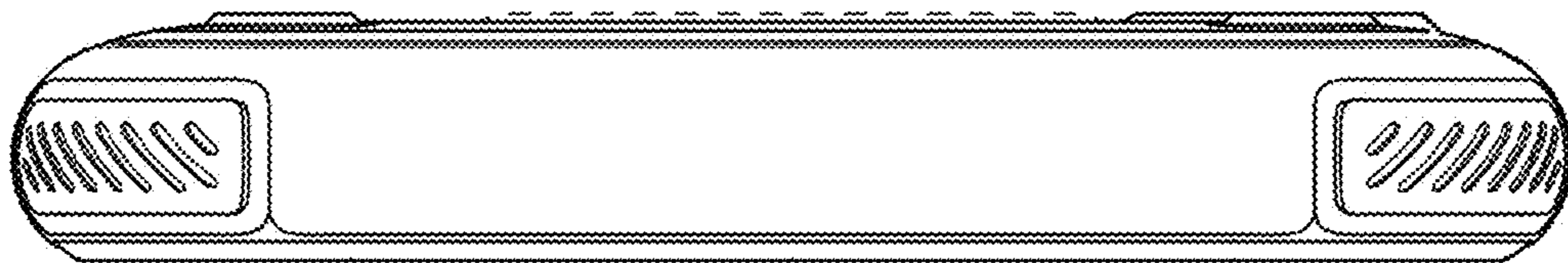


FIG. 6

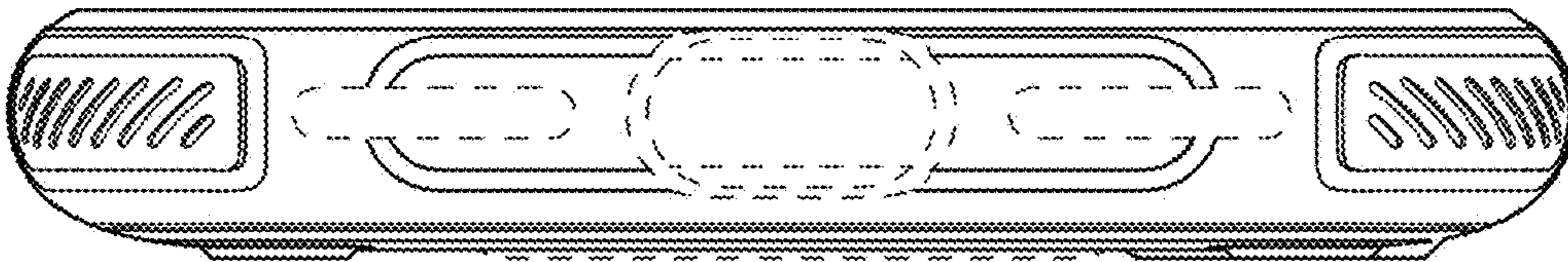




FIG. 7

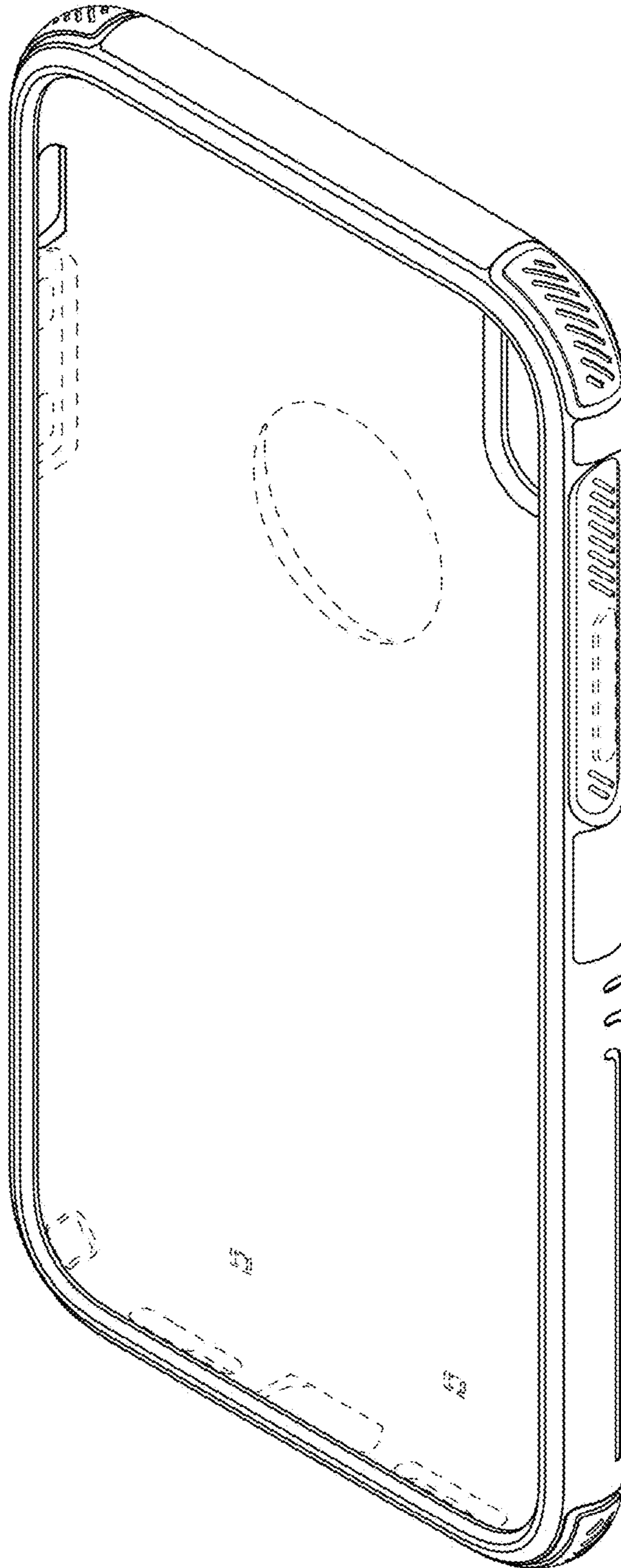


FIG. 8

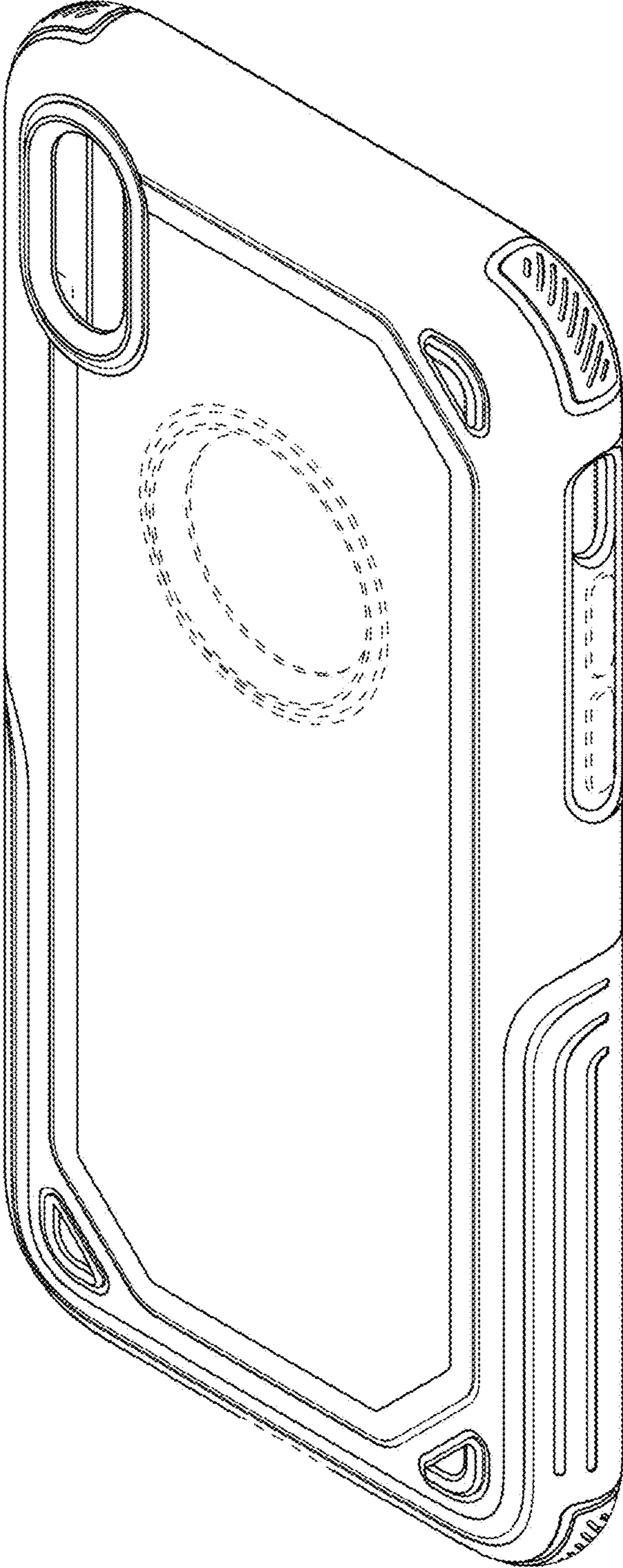


FIG. 9

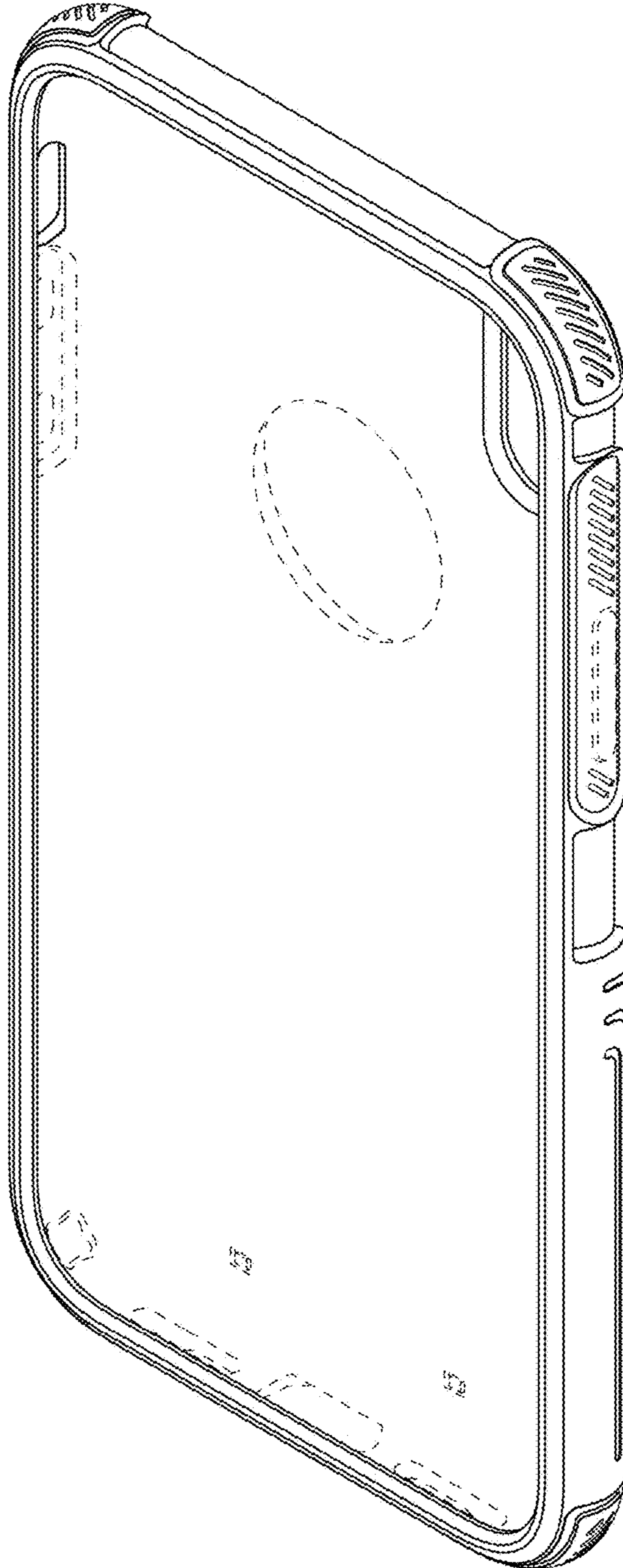


FIG. 10

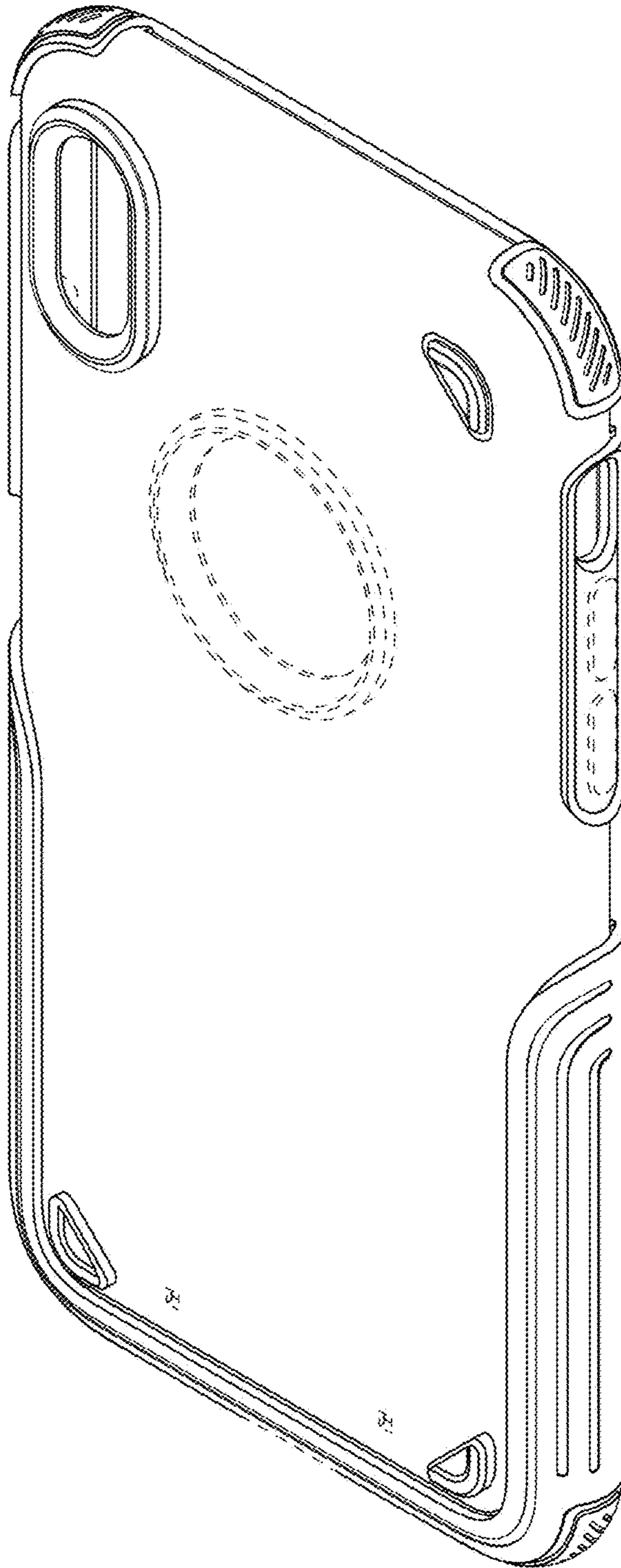


FIG. 11

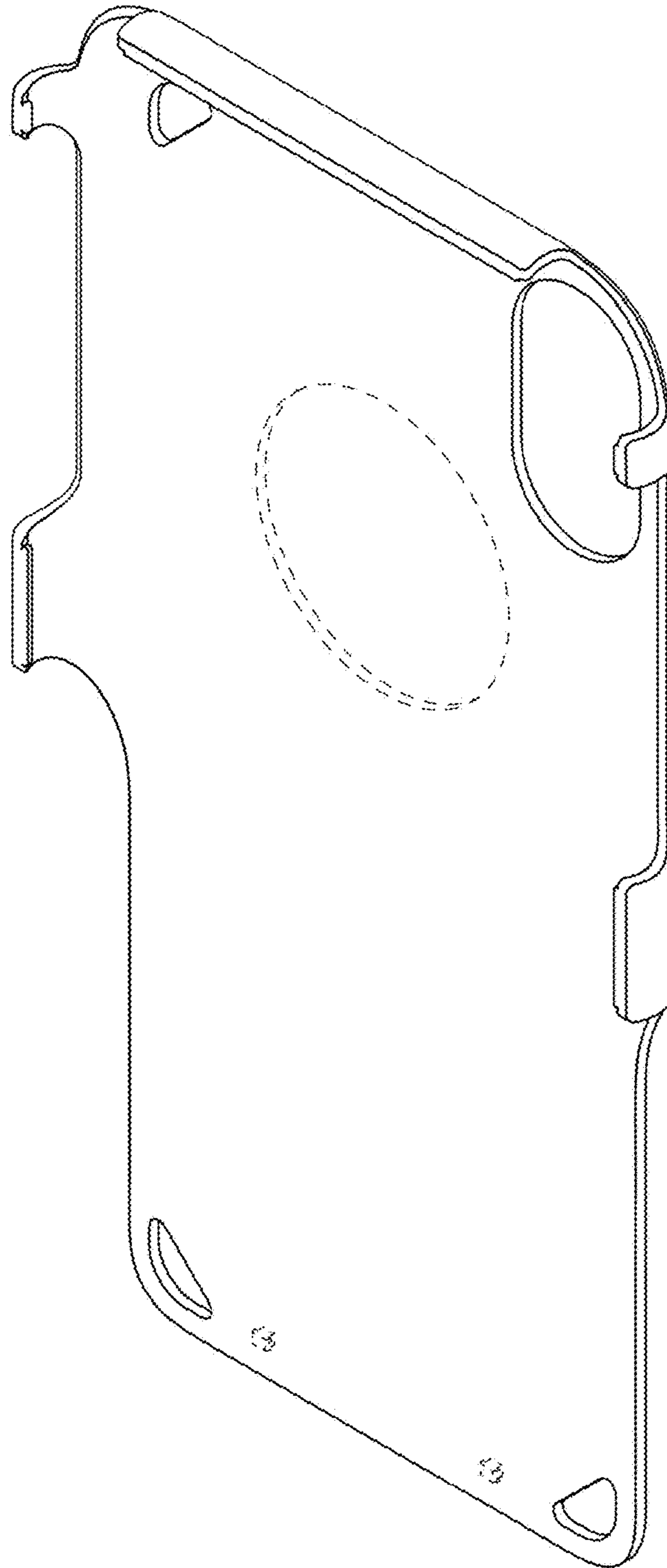


FIG. 12

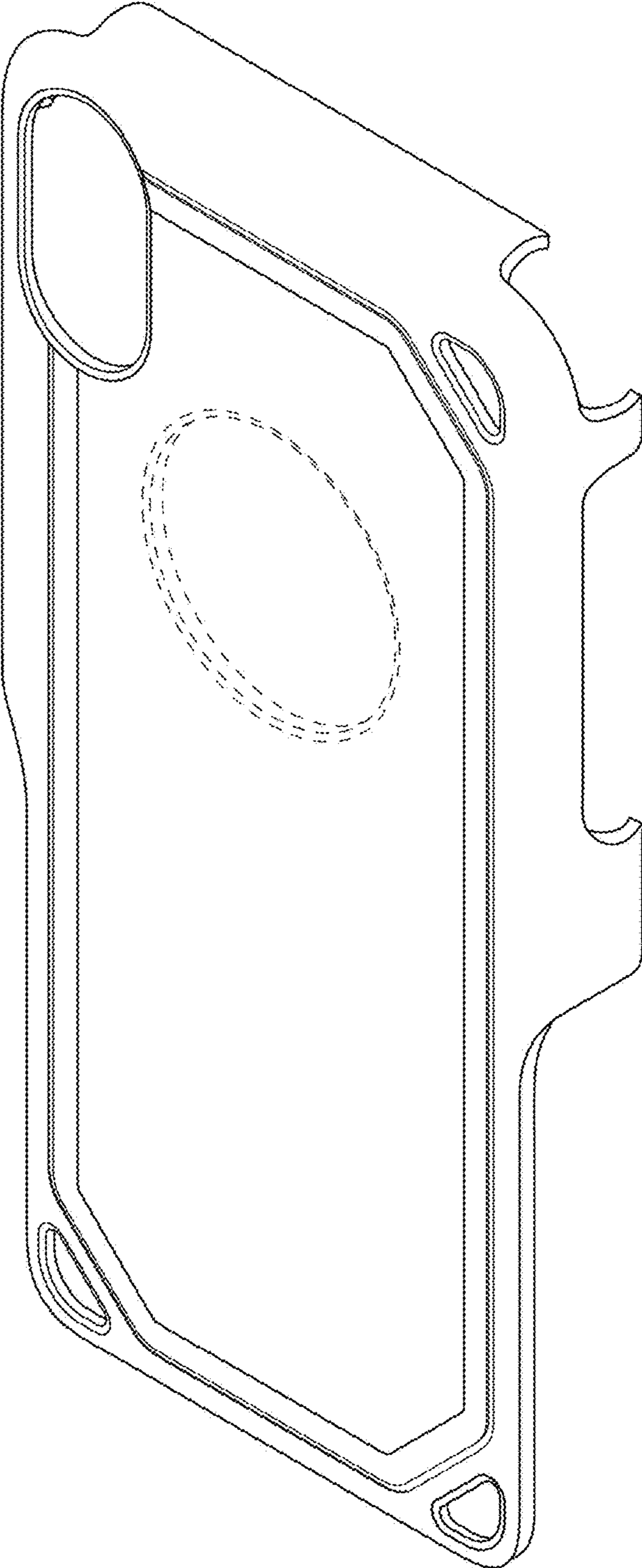


FIG. 13

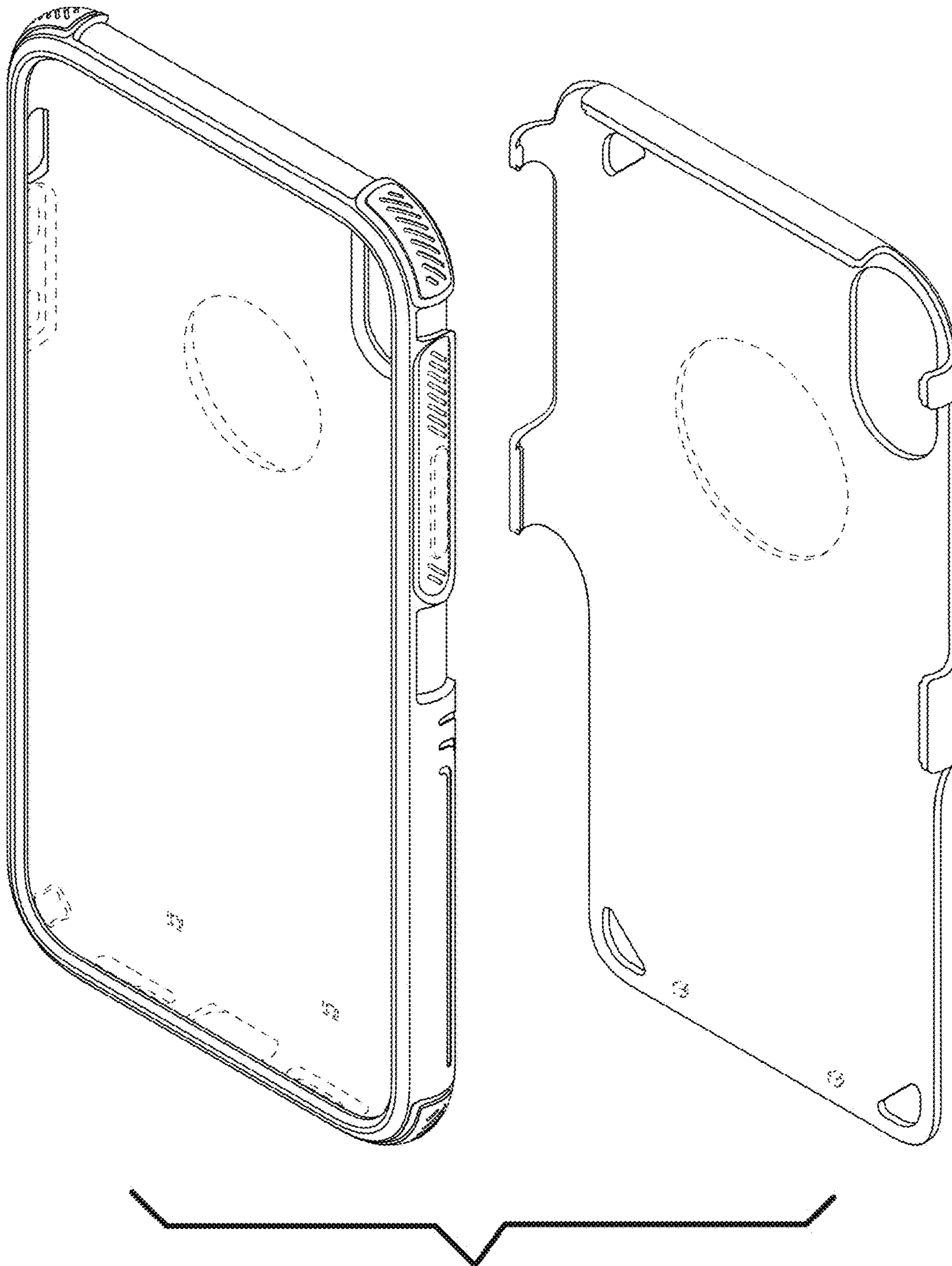


FIG. 14

