



US00D844596S

(12) **United States Design Patent** (10) **Patent No.:** **US D844,596 S**
Liu (45) **Date of Patent:** **** Apr. 2, 2019**

- (54) **WALLET FOR CARD, CASH AND CELLPHONE**
- (71) Applicant: **Ying Liu**, Hubei (CN)
- (72) Inventor: **Ying Liu**, Hubei (CN)
- (**) Term: **15 Years**
- (21) Appl. No.: **29/582,310**
- (22) Filed: **Oct. 26, 2016**
- (51) **LOC (11) Cl.** **14-03**
- (52) **U.S. Cl.**
USPC **D14/250**
- (58) **Field of Classification Search**
USPC D14/248, 439, 203.3–203.7, 447, 238.1,
D14/251–253, 217, 240, 250, 440;
D3/201, 218, 247, 269, 273, 301, 303;
D13/103, 107–108, 119
CPC H04B 1/3888; H04M 1/0283;
H04M 1/0202; A45C 1/06; A45C
2011/002; A45C 11/00; A45C 13/02;
A45F 2005/026; A45F 2200/0525; A45F
2200/0516
See application file for complete search history.

(56) **References Cited**

U.S. PATENT DOCUMENTS

D352,604 S	*	11/1994	Johnson	D3/301
D414,033 S	*	9/1999	Rohm	D3/201
D582,405 S	*	12/2008	Andre	D3/299
D621,396 S	*	8/2010	Lee	D14/252
D639,552 S	*	6/2011	Du	
D646,892 S	*	10/2011	Littleton	D3/299
D691,367 S	*	10/2013	Chappell	
D712,140 S	*	9/2014	Klüsener	
D714,054 S	*	9/2014	Kershenstein	D3/269
D715,545 S	*	10/2014	McDaniel	
D716,045 S	*	10/2014	Requa	
D729,522 S	*	5/2015	Kim	D3/218
D737,828 S	*	9/2015	Albano	D14/440
D738,620 S	*	9/2015	Schmole	D3/249

D741,867 S	*	10/2015	Liu	D14/440
D745,780 S	*	12/2015	Feng	D3/269
D748,915 S	*	2/2016	Reyes	D3/301
D750,888 S	*	3/2016	Johnson et al.	
D755,168 S	*	5/2016	Kim	D14/250
D757,431 S	*	5/2016	Requa	
D759,966 S	*	6/2016	Pignotti	
D760,708 S	*	7/2016	Hirst	D14/250
D761,563 S	*	7/2016	Requa	
D762,615 S	*	8/2016	Kim	D14/203.4
D773,181 S	*	12/2016	Tappeiner	
D777,421 S	*	1/2017	Grote	

(Continued)

Primary Examiner — Carla J Wright

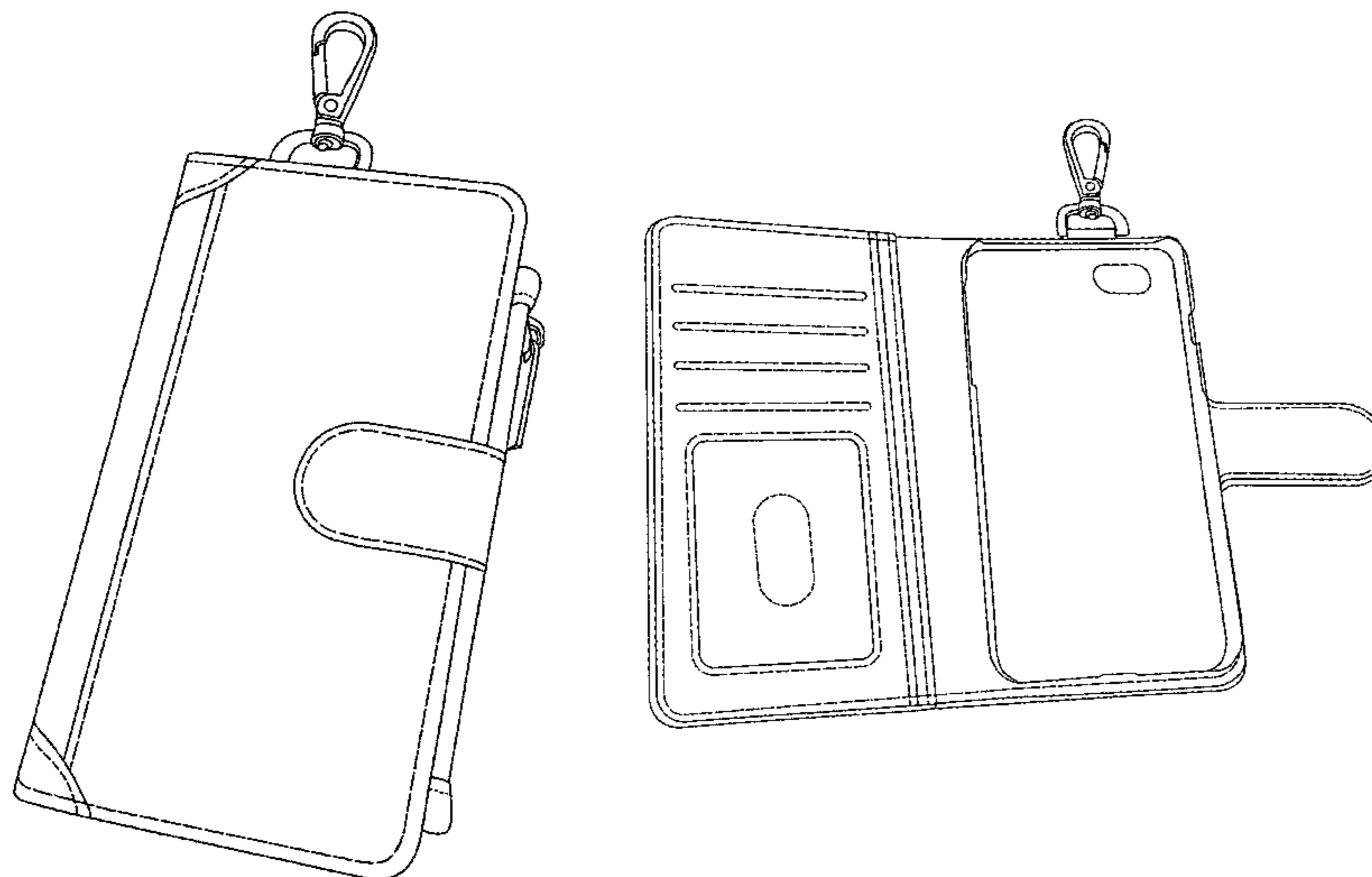
(57) **CLAIM**

The ornamental design for wallet for card, cash and cell-phone, as shown and described.

DESCRIPTION

FIG. 1 is a front elevation view of a wallet for card, cash, and cellphone showing my new design;
 FIG. 2 is a rear elevation view thereof;
 FIG. 3 is a left-side elevation view thereof;
 FIG. 4 is a right-side elevation view thereof;
 FIG. 5 is a top plan view thereof;
 FIG. 6 is a bottom view thereof;
 FIG. 7 is a front perspective view thereof showing the case in a folded configuration;
 FIG. 8 is a perspective view of the interior thereof showing the case in an unfolded configuration;
 FIG. 9 is an elevation view of the exterior thereof showing the case in an unfolded configuration; and,
 FIG. 10 is an elevation view of the interior thereof showing the case in an unfolded configuration and showing the rear of the cell phone holder which is separated from the wallet for clarity of disclosure.
 The broken lines in the drawing figures depict stitching, which is part of the claimed design.

1 Claim, 10 Drawing Sheets



(56)

References Cited

U.S. PATENT DOCUMENTS

D778,896 S *	2/2017	Park	D14/250
D779,472 S *	2/2017	Lee	D14/250
D779,474 S *	2/2017	Kim	D14/250
D789,342 S *	6/2017	Sirichai	D14/250
D793,082 S	8/2017	Zhang	
D793,725 S	8/2017	Zhang	
D793,726 S	8/2017	Zhang	
D794,952 S *	8/2017	Feng	D3/247
D803,558 S *	11/2017	Liu	D3/247
D804,815 S *	12/2017	Chen	D3/247
D806,378 S *	1/2018	Lerenthal	D3/201
D809,793 S	2/2018	Hahn et al.	
D818,708 S *	5/2018	An	D3/247
D822,989 S *	7/2018	Persson	D3/249
2015/0230570 A1 *	8/2015	Kim	A45C 1/06 150/139

* cited by examiner

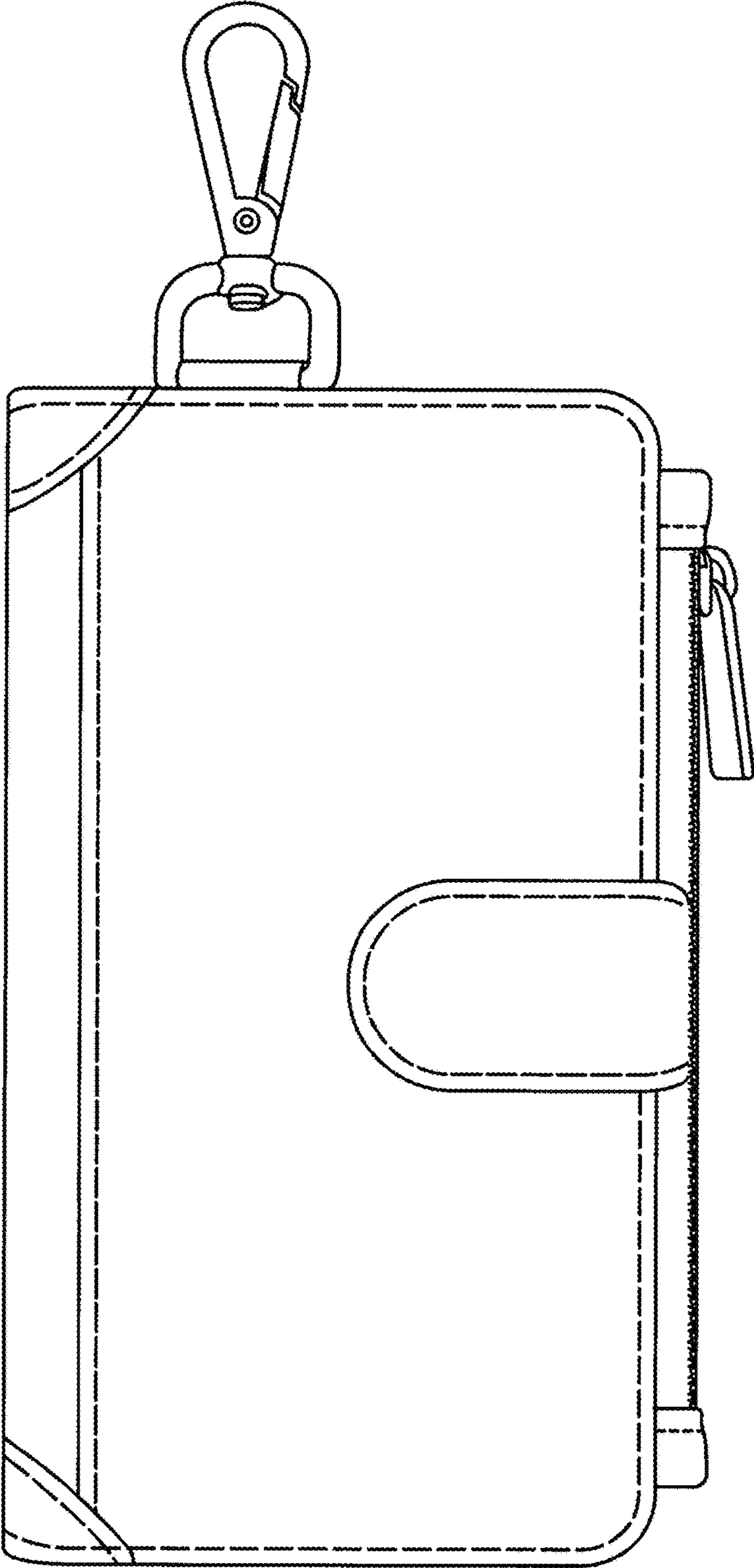


Figure 1

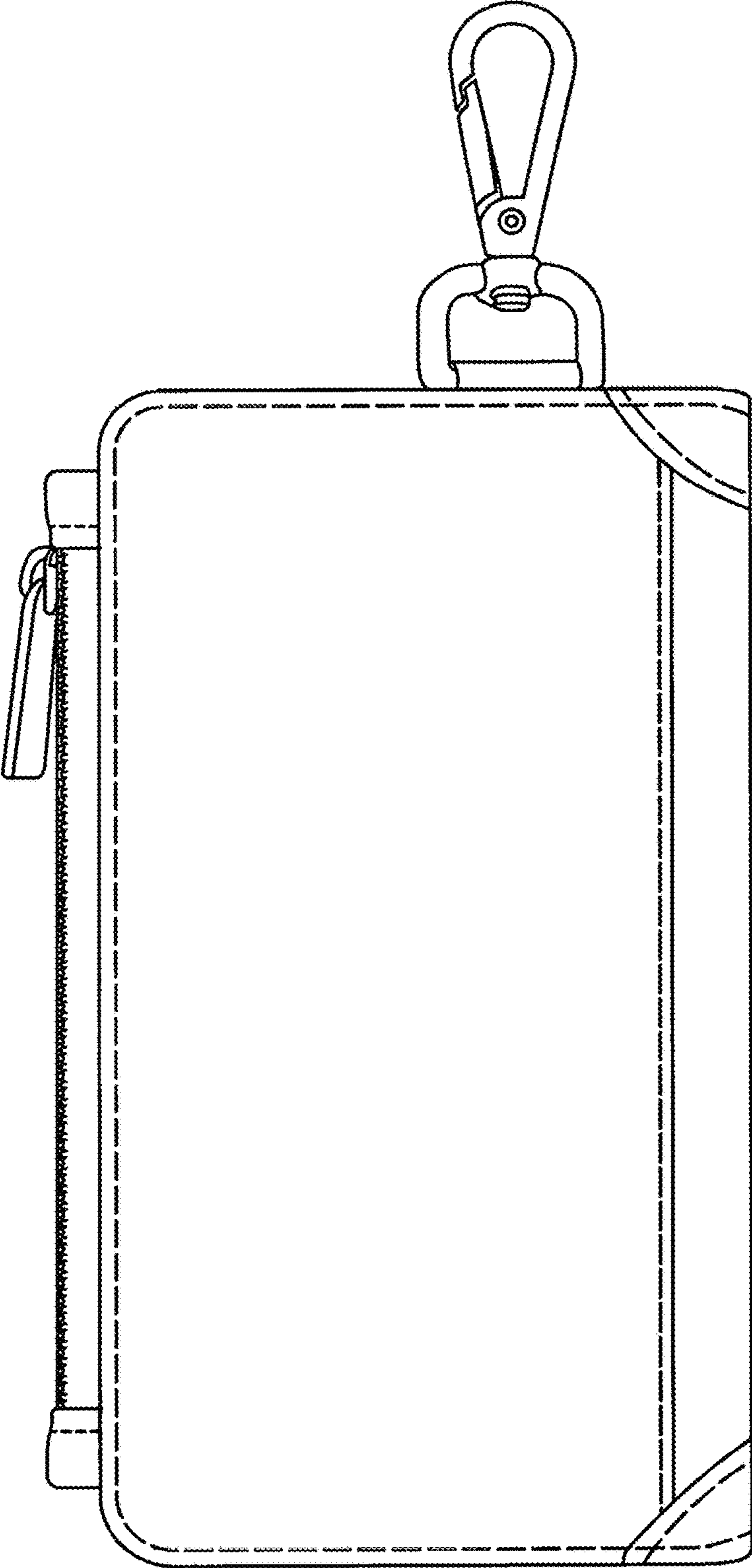


Figure 2

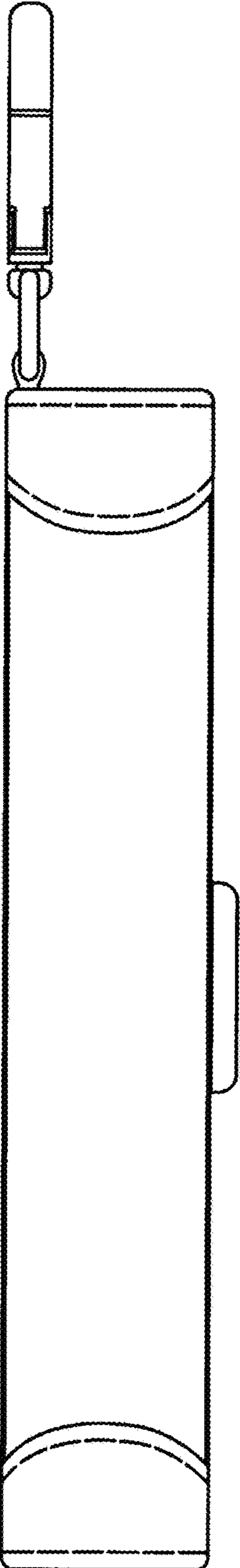


Figure 3

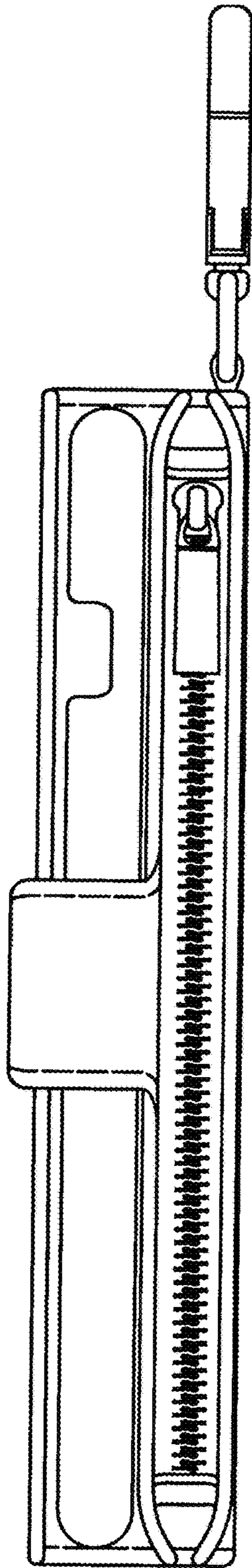


Figure 4

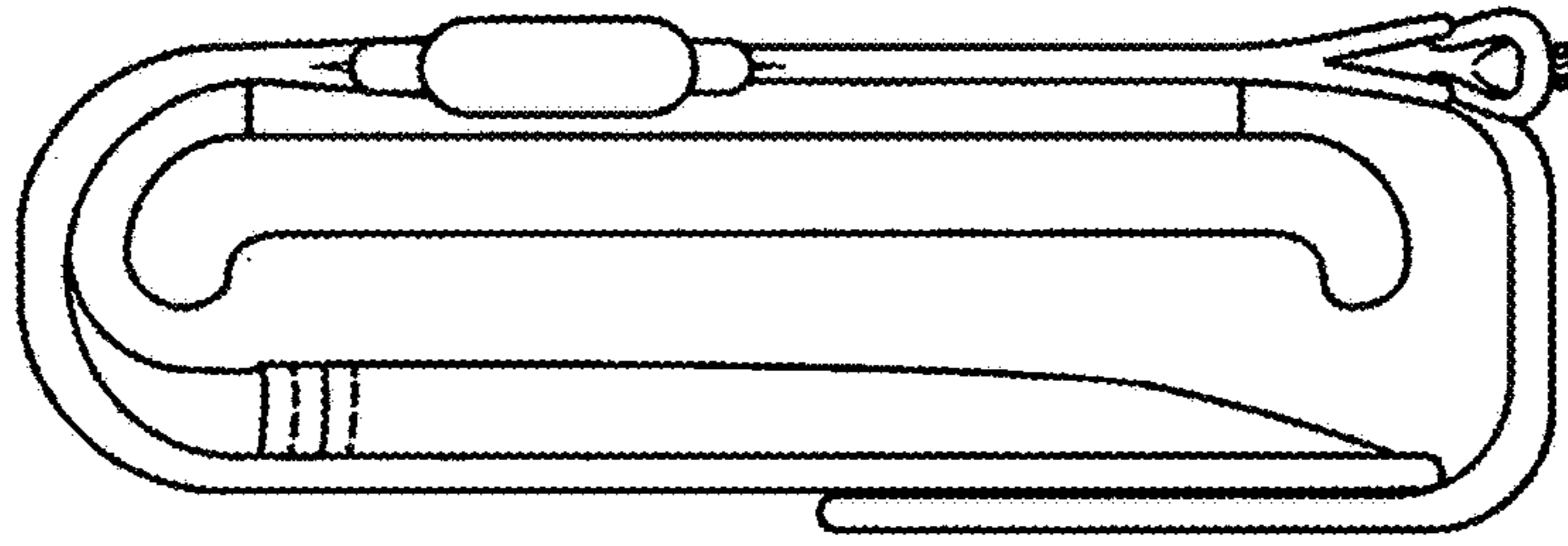


Figure 5



Figure 6

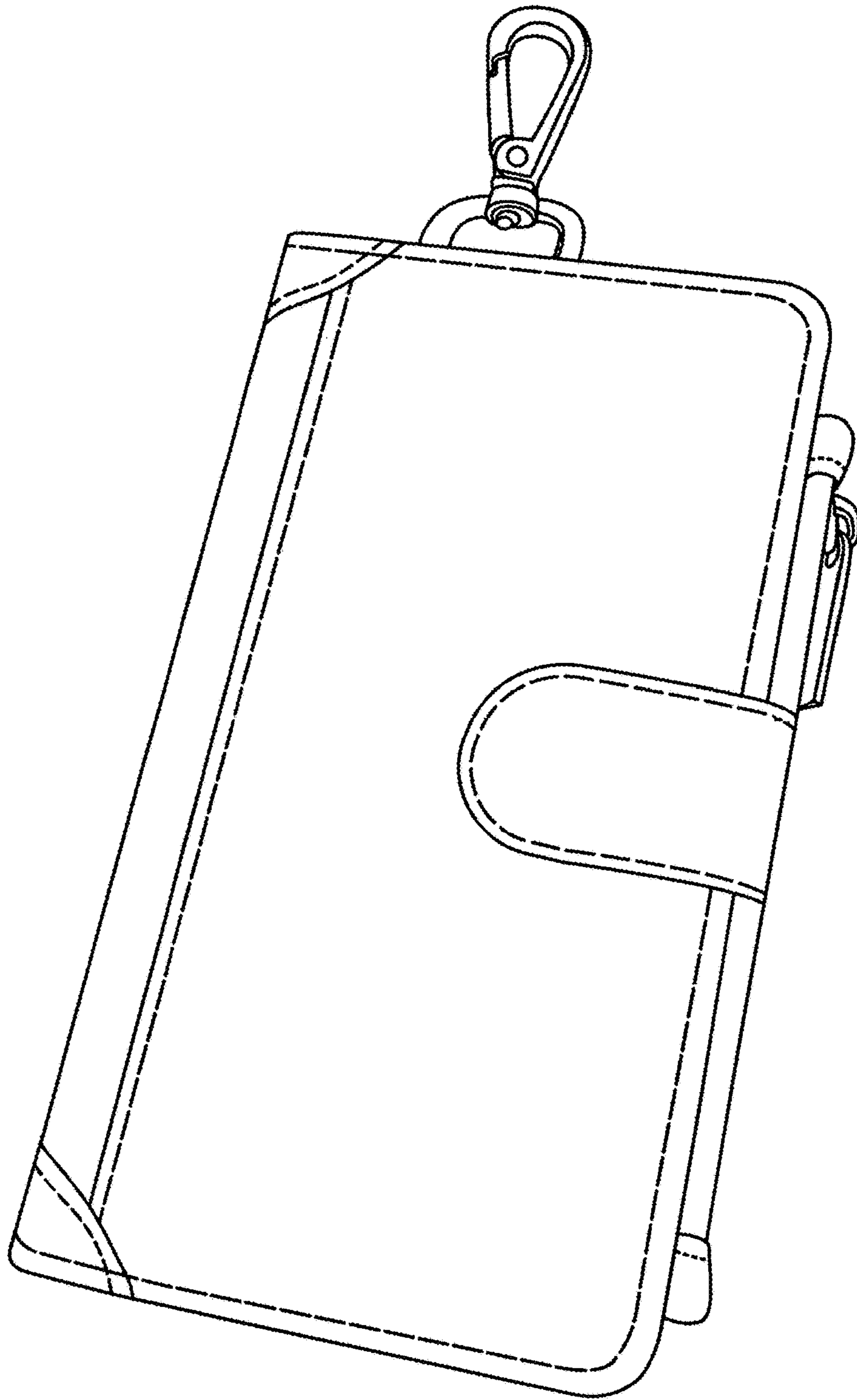


FIG.7

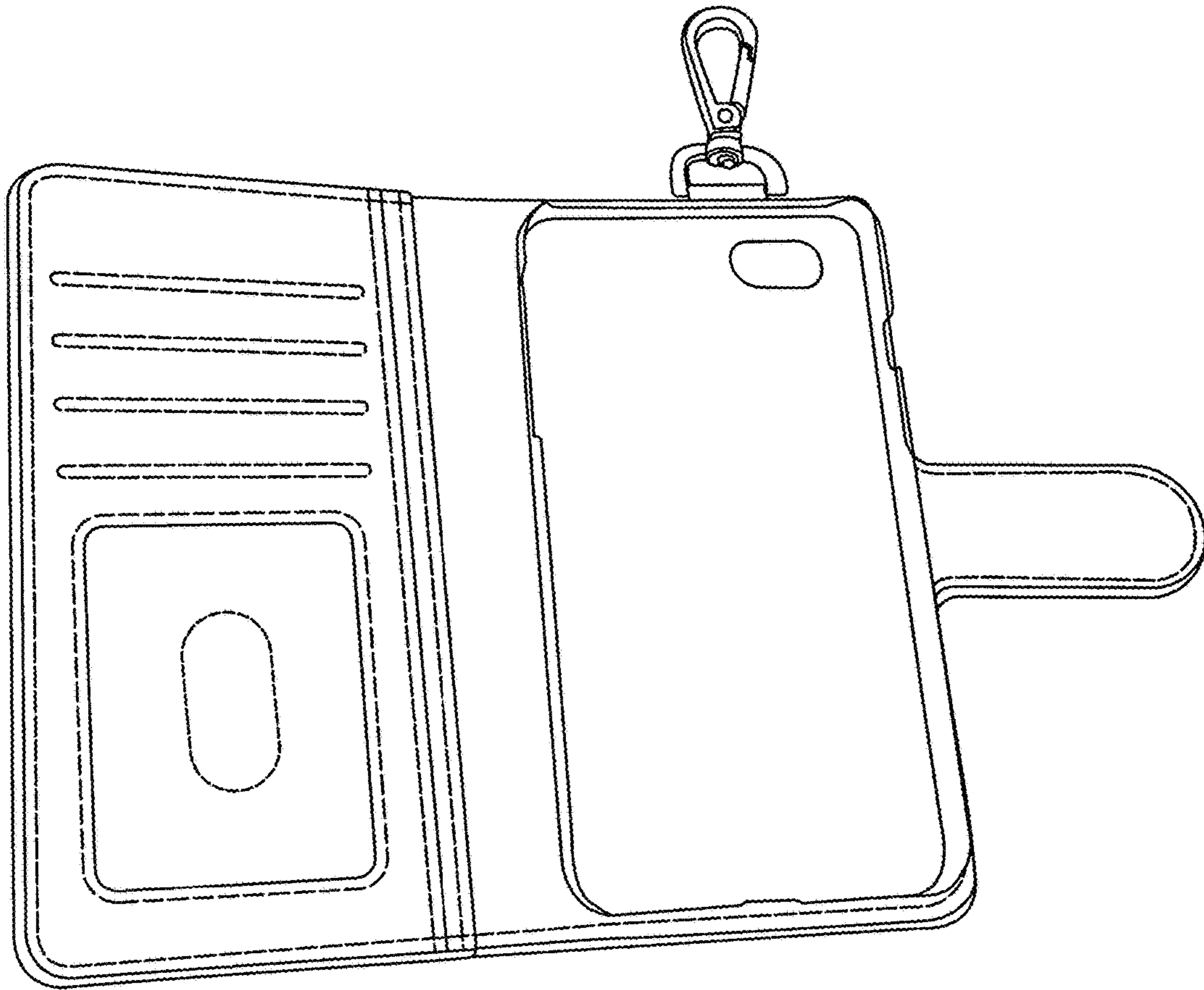


FIG.8

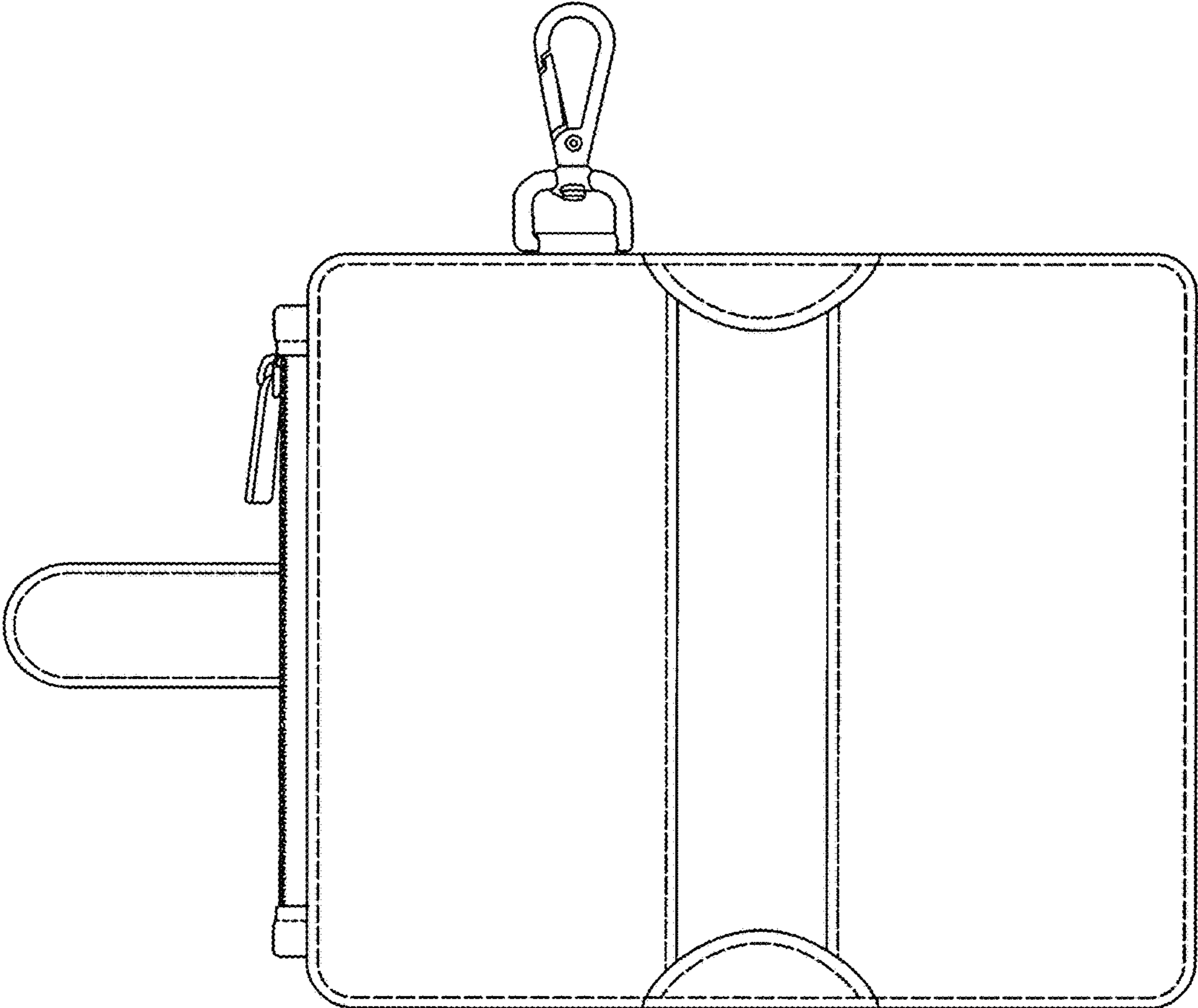


FIG.9

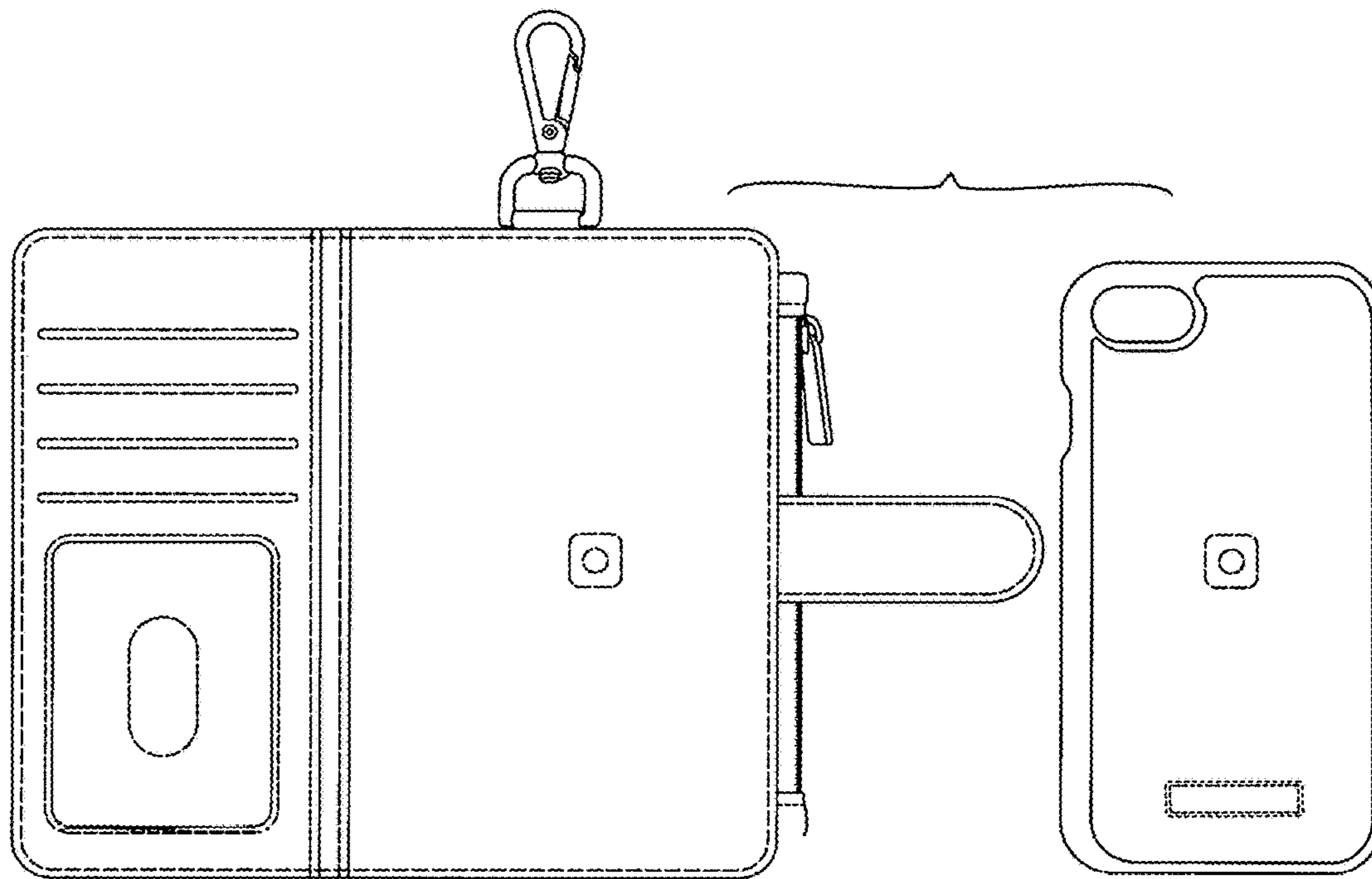


FIG.10