



US00D844589S

(12) **United States Design Patent** (10) **Patent No.:** **US D844,589 S**  
**Yang et al.** (45) **Date of Patent:** **\*\* Apr. 2, 2019**

(54) **ANTENNA**

(71) Applicant: **SHENZHEN ANTOP TECHNOLOGY LIMITED**, Shenzhen (CN)

(72) Inventors: **Ruidian Yang**, Shenzhen (CN); **Bosen Yang**, Shenzhen (CN)

(73) Assignee: **SHENZHEN ANTOP TECHNOLOGY LIMITED**, Shenzhen (CN)

(\*\*) Term: **15 Years**

(21) Appl. No.: **29/614,610**

(22) Filed: **Aug. 21, 2017**

(51) **LOC (11) Cl.** ..... **14-03**

(52) **U.S. Cl.**  
USPC ..... **D14/230**

(58) **Field of Classification Search**  
USPC ... D14/230.1, 203.3, 203.6, 230-238, 238.1, D14/204, 216, 221, 240, 242, 299, 314, D14/343, 496, 509, 497, 498, 500, 506, D14/168-172, 188, 195, 211, 265; D21/324, 332, 333, 487  
CPC ..... H01Q 1/12; H01Q 1/22; H01Q 1/007; H01Q 1/38; H01Q 7/00; H01Q 9/40; H01Q 9/285; H01Q 9/065; H01Q 9/44; H01Q 9/265; H01Q 19/10; H01Q 19/106; H01Q 19/12; H01Q 19/13; H01Q 19/15; H01Q 19/30; H01Q 21/28; H01Q 21/06; H01Q 21/062; H01Q 21/293; G05D 1/02; G05D 1/0234

See application file for complete search history.

(56) **References Cited**

**U.S. PATENT DOCUMENTS**

D414,773 S \* 10/1999 Heiligenstein ..... D14/238  
D540,291 S \* 4/2007 Heath ..... D14/137

D599,379 S \* 9/2009 Ryu ..... D14/203.3  
D647,502 S \* 10/2011 Holzer ..... D14/168  
D693,814 S \* 11/2013 Park ..... D14/434  
D697,046 S \* 1/2014 Hanna ..... D14/204  
D720,752 S \* 1/2015 Bleads ..... D14/420  
D726,156 S \* 4/2015 Gillespie-Brown ..... D14/216  
D727,877 S \* 4/2015 Seoc ..... D14/209.1  
D752,552 S \* 3/2016 D'Ascanio ..... D14/216  
D783,002 S \* 4/2017 Pool ..... D14/218  
D801,305 S \* 10/2017 Vaclavik ..... D14/215  
D801,306 S \* 10/2017 Czaniecki ..... D14/215  
D808,926 S \* 1/2018 Kim ..... D14/216  
D822,716 S \* 7/2018 Mangum ..... D14/496  
D830,646 S \* 10/2018 Kerr ..... D30/129

\* cited by examiner

*Primary Examiner* — Jeffrey D Asch

*Assistant Examiner* — Rebekah A Caruso

(74) *Attorney, Agent, or Firm* — Muncy, Geissler, Olds & Lowe, P.C.

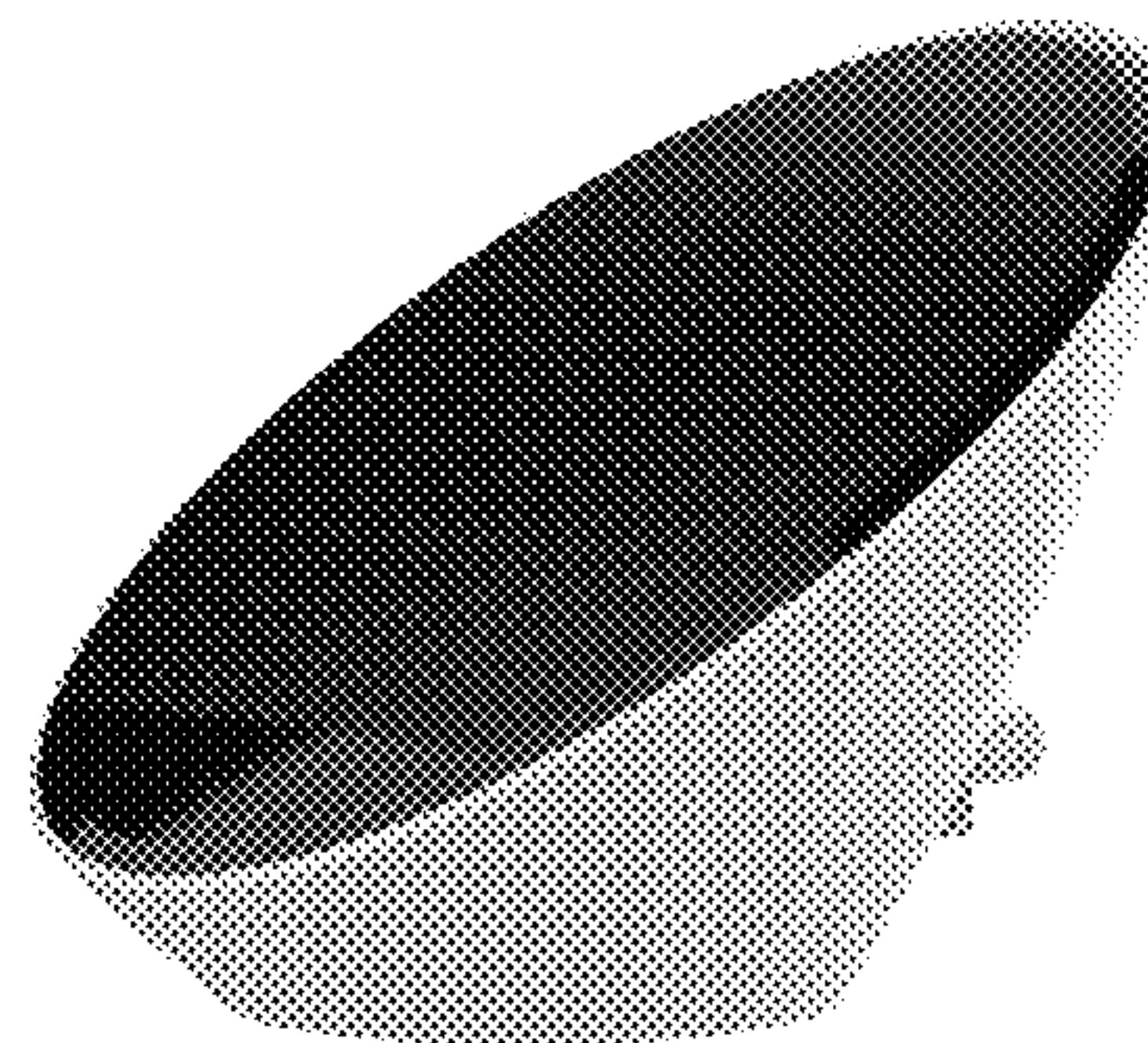
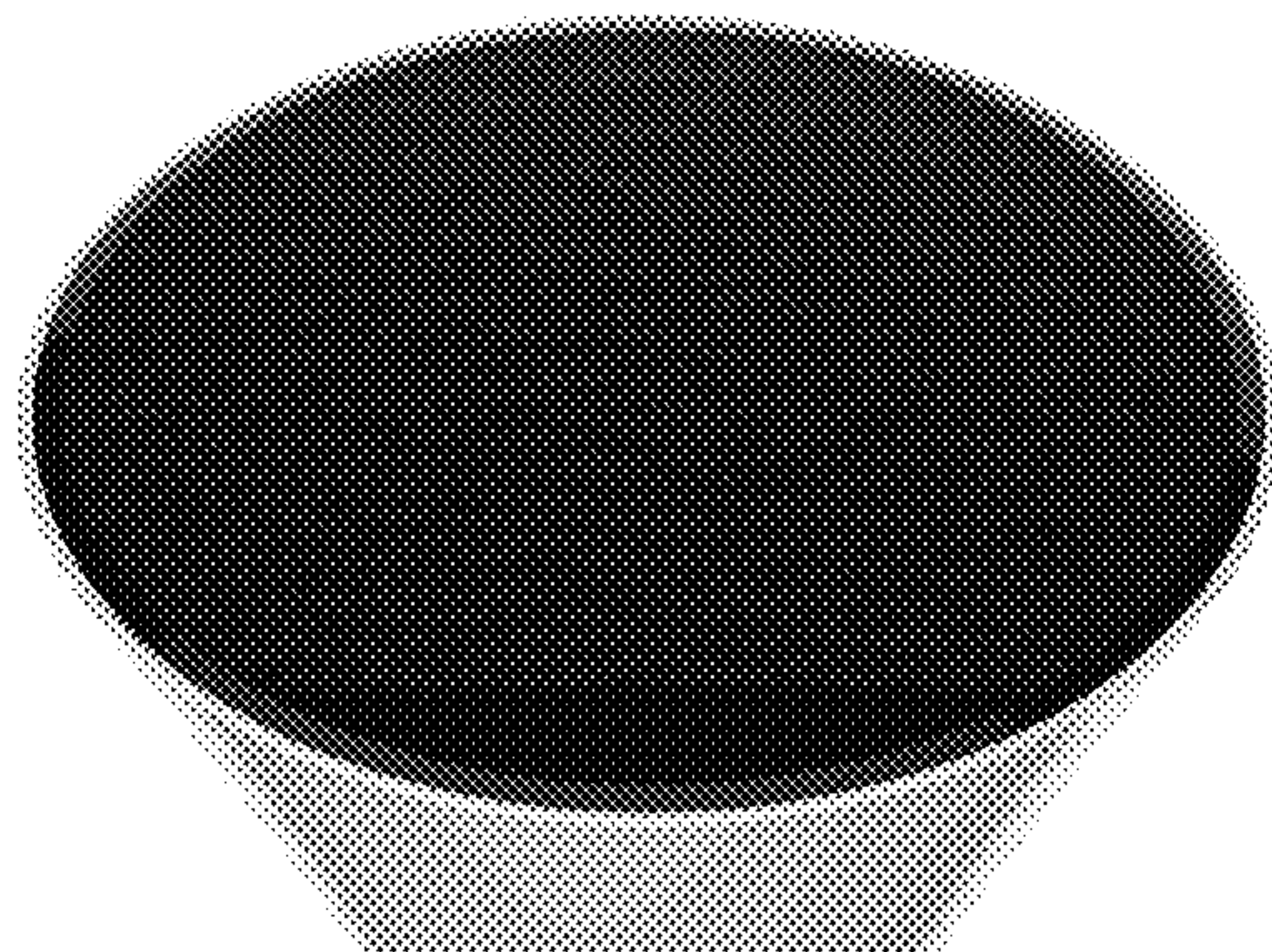
(57) **CLAIM**

The ornamental design for an antenna, as shown and described.

**DESCRIPTION**

FIG. 1 is a bottom, rear, right perspective view of an antenna showing our new design;  
FIG. 2 is a front elevational view thereof;  
FIG. 3 is a rear view thereof;  
FIG. 4 is a left side view thereof;  
FIG. 5 is a right side view thereof;  
FIG. 6 is a top plan view thereof;  
FIG. 7 is a bottom plan view thereof;  
FIG. 8 is a front, top, right perspective view thereof; and,  
FIG. 9 is another front, top, right perspective view thereof.

**1 Claim, 9 Drawing Sheets**



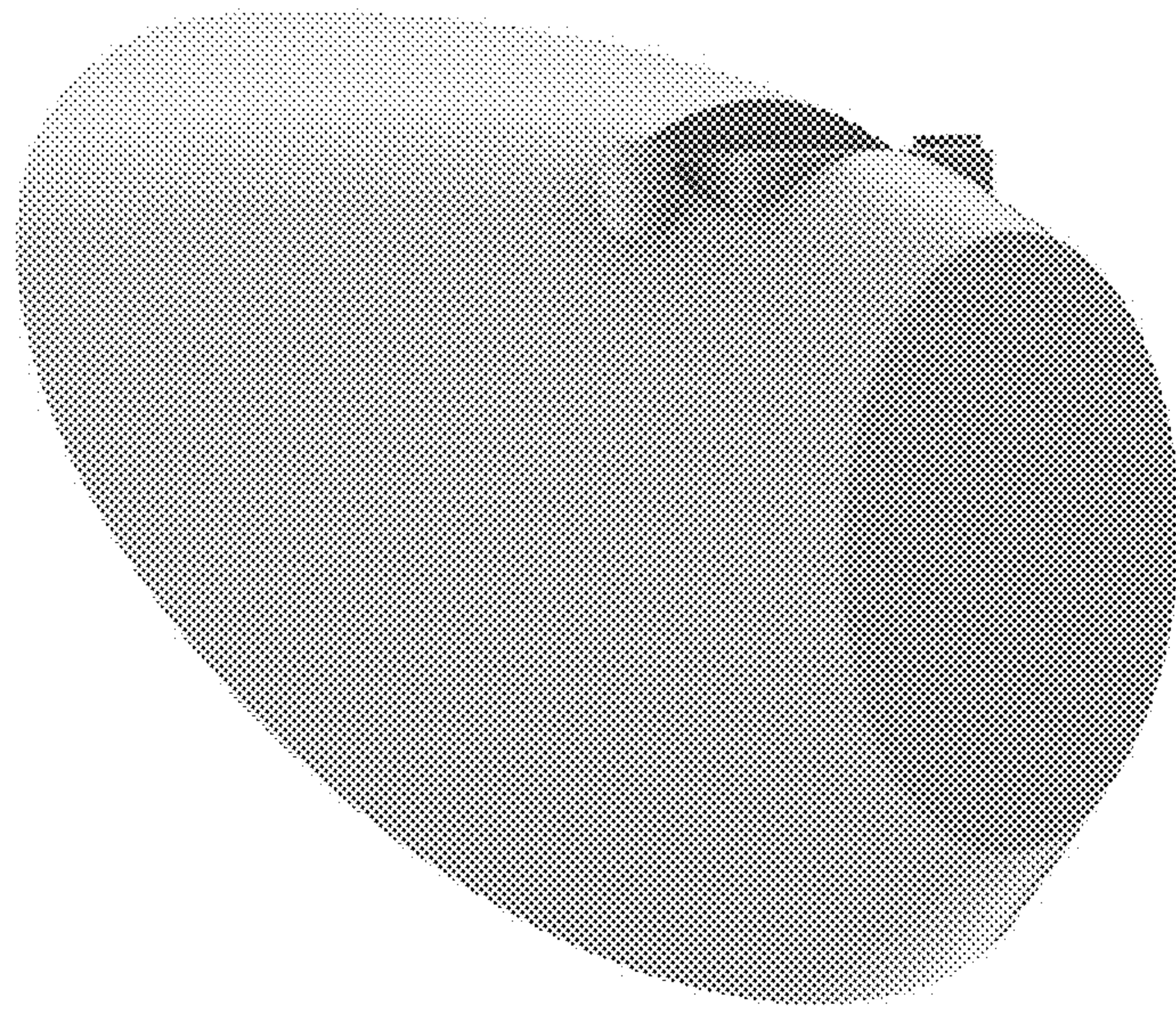


FIG. 1



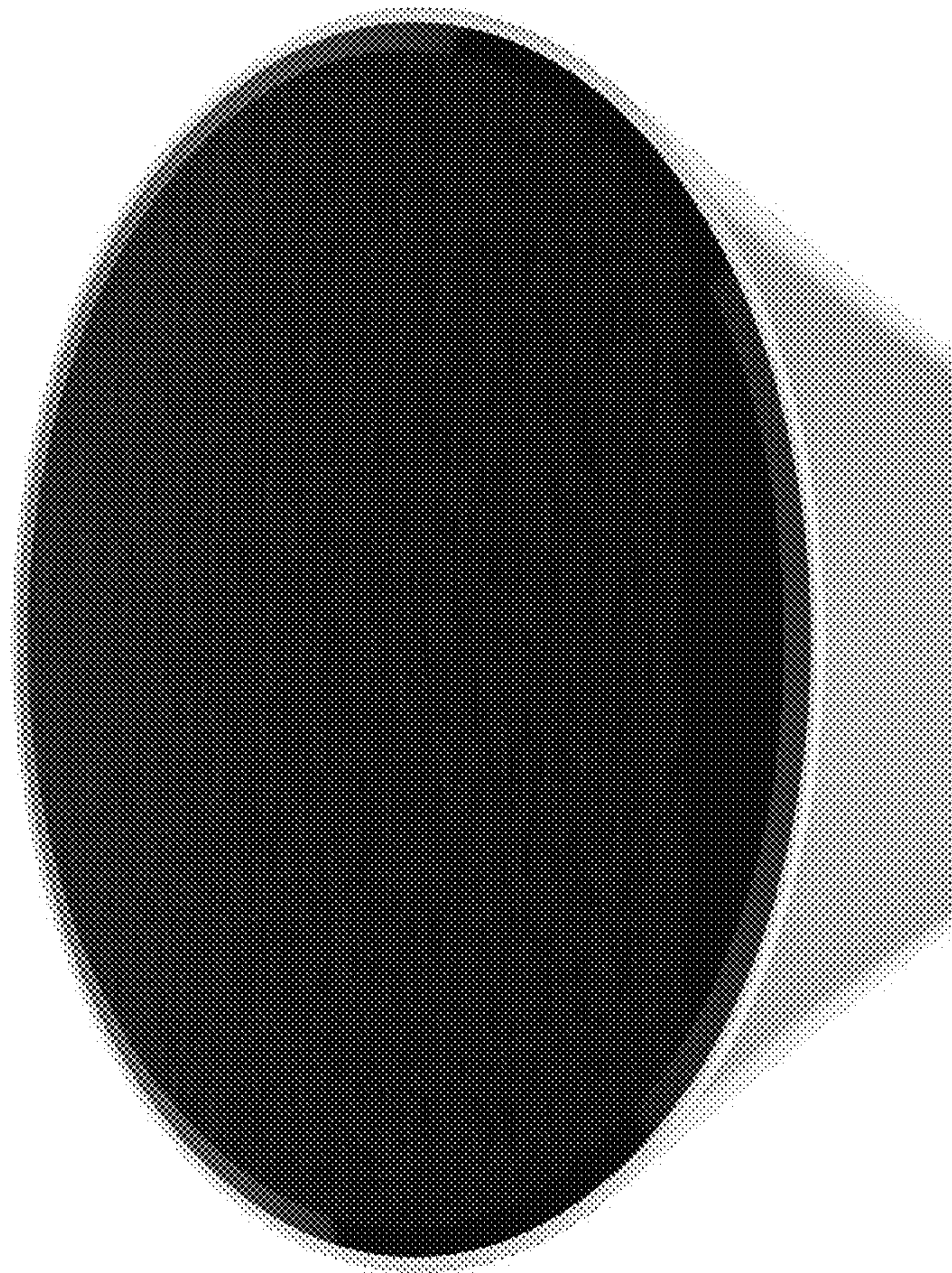


FIG. 2

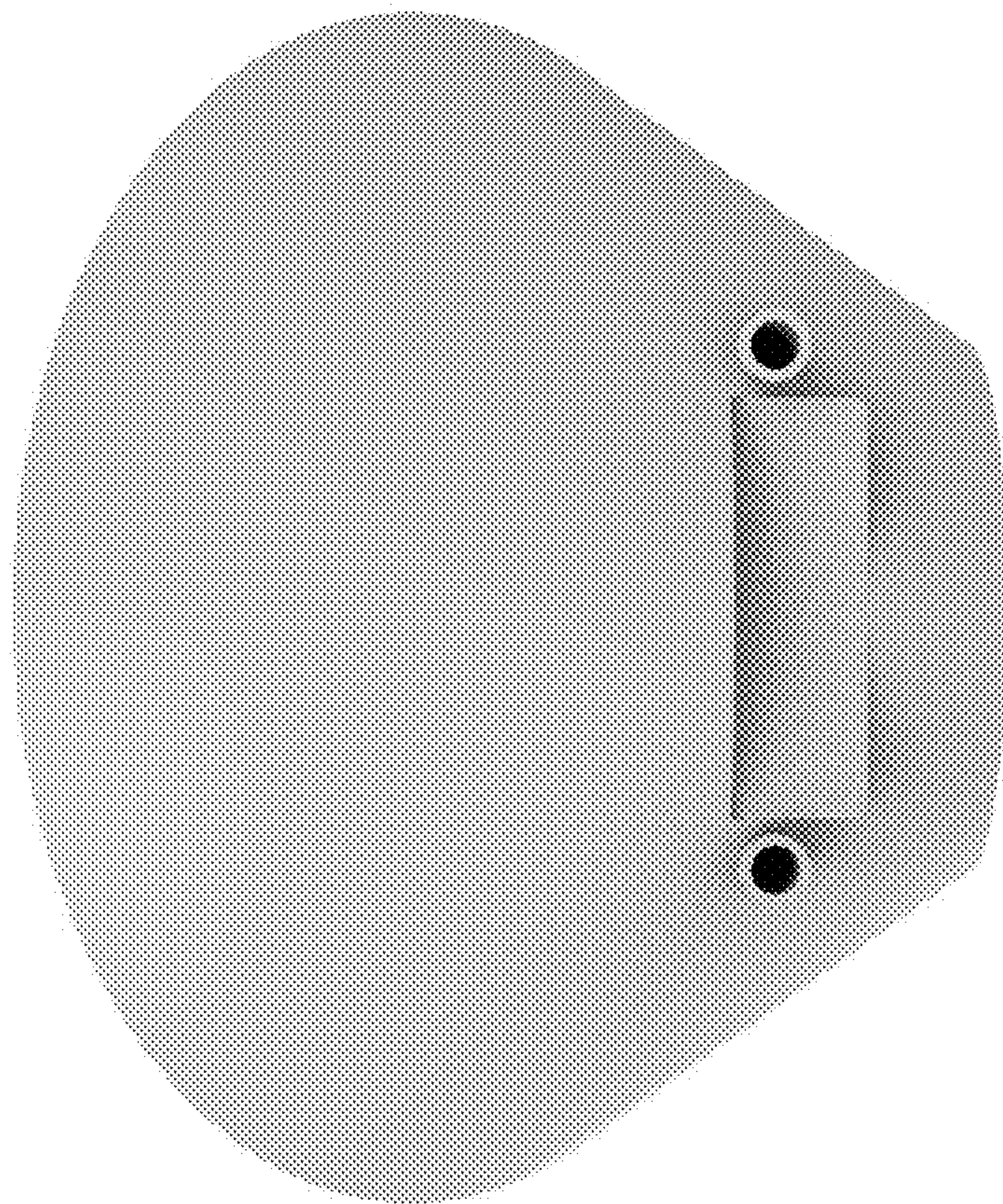


FIG. 3



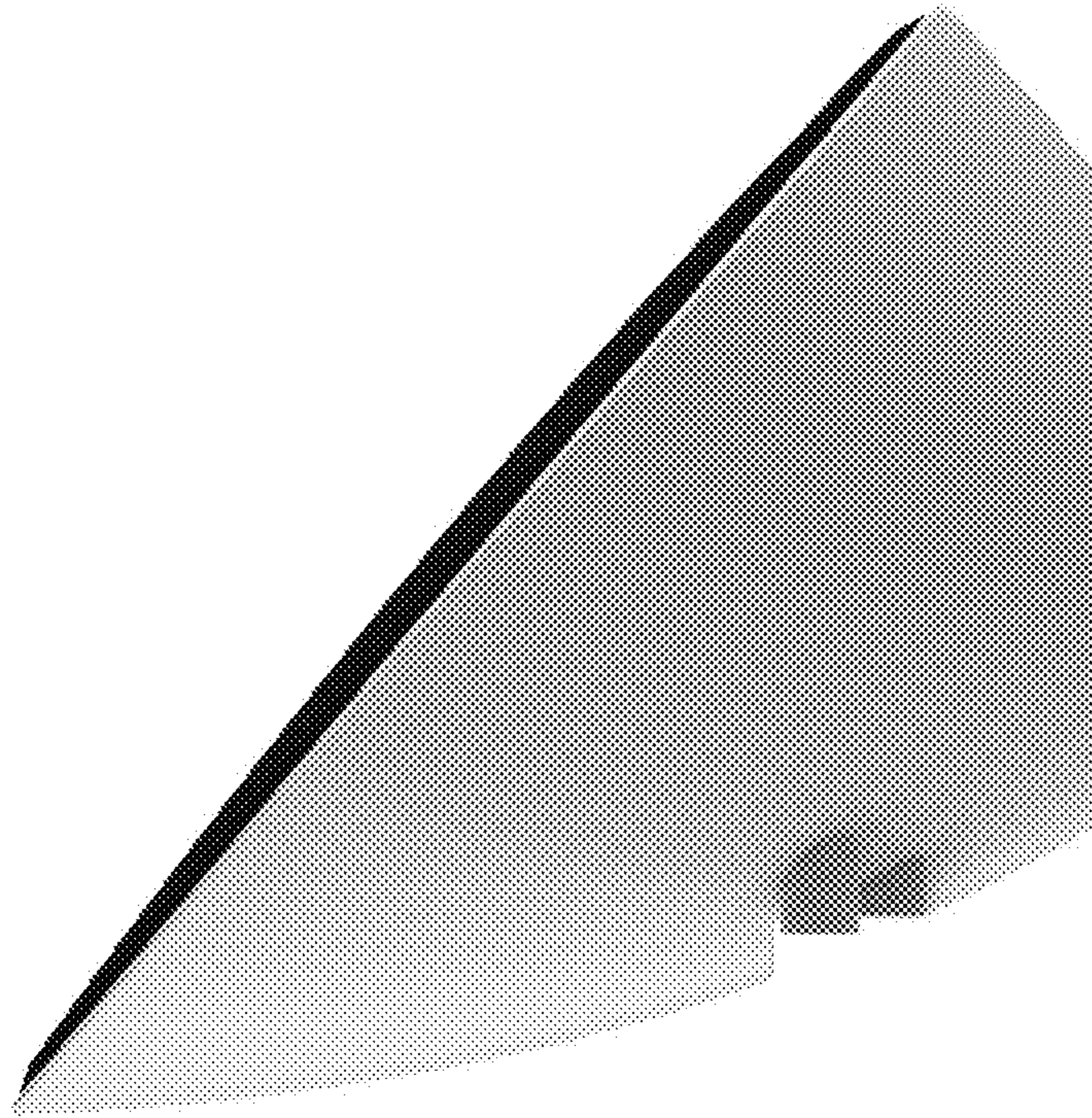


FIG. 4

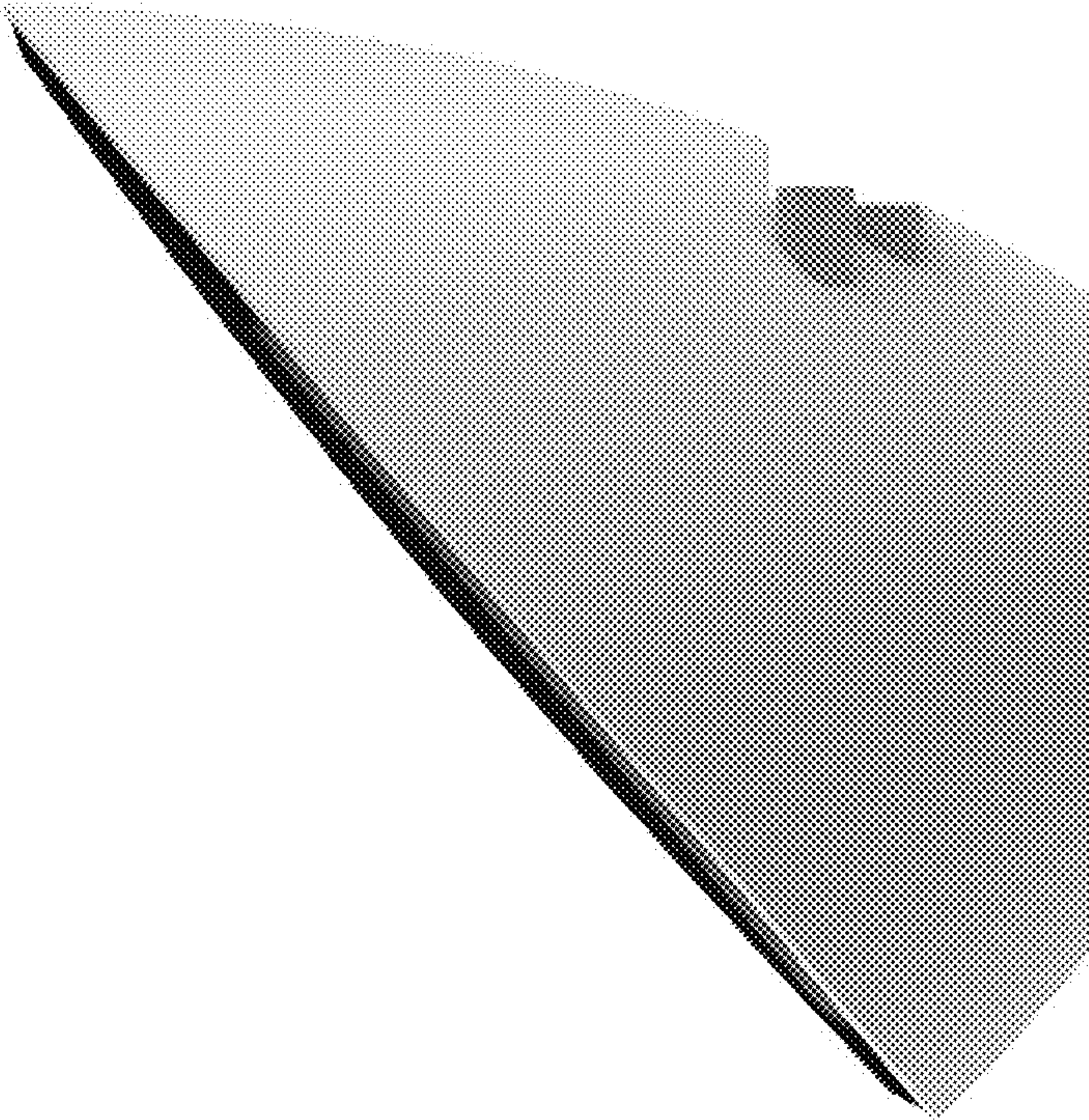


FIG. 5



FIG. 6



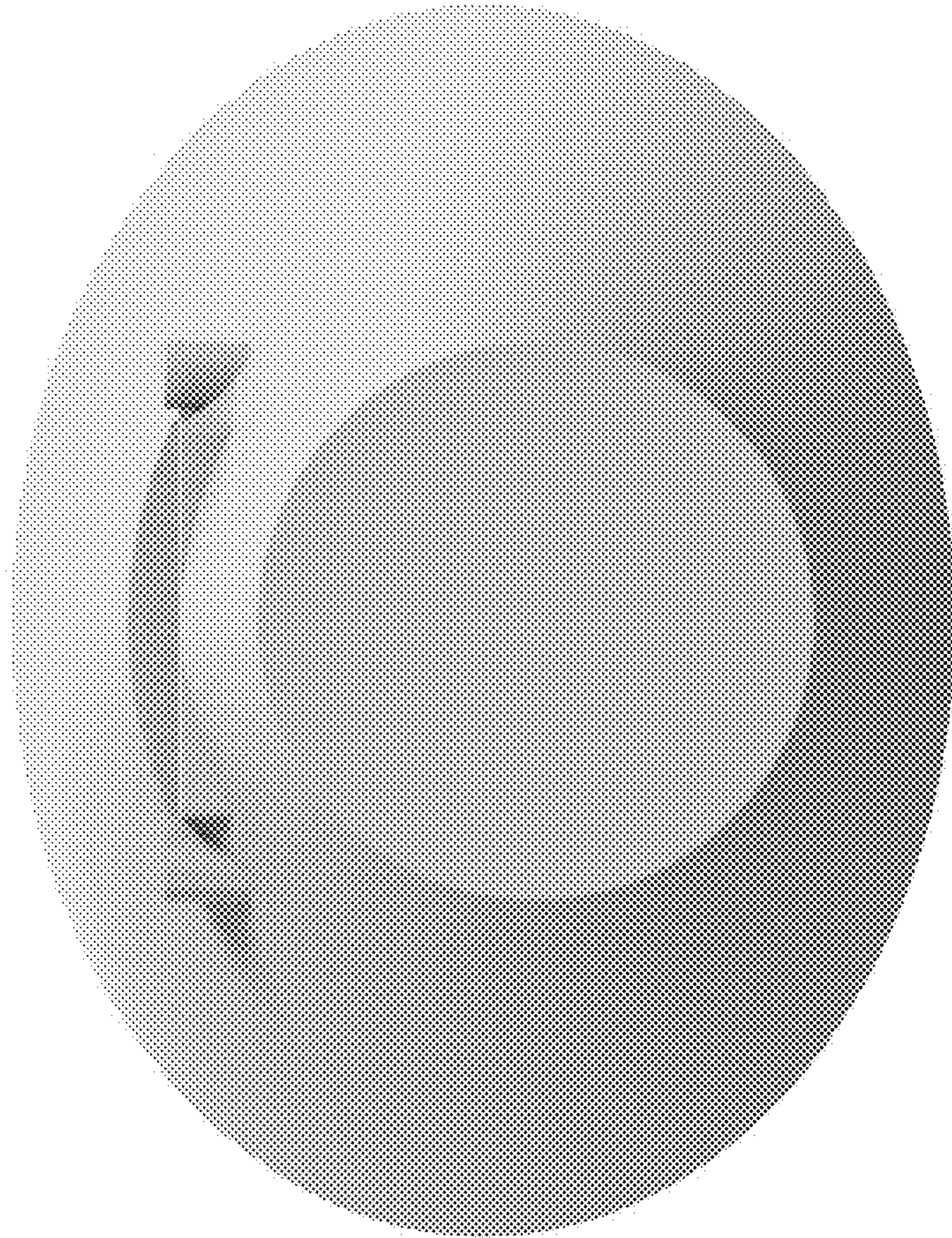


FIG. 7



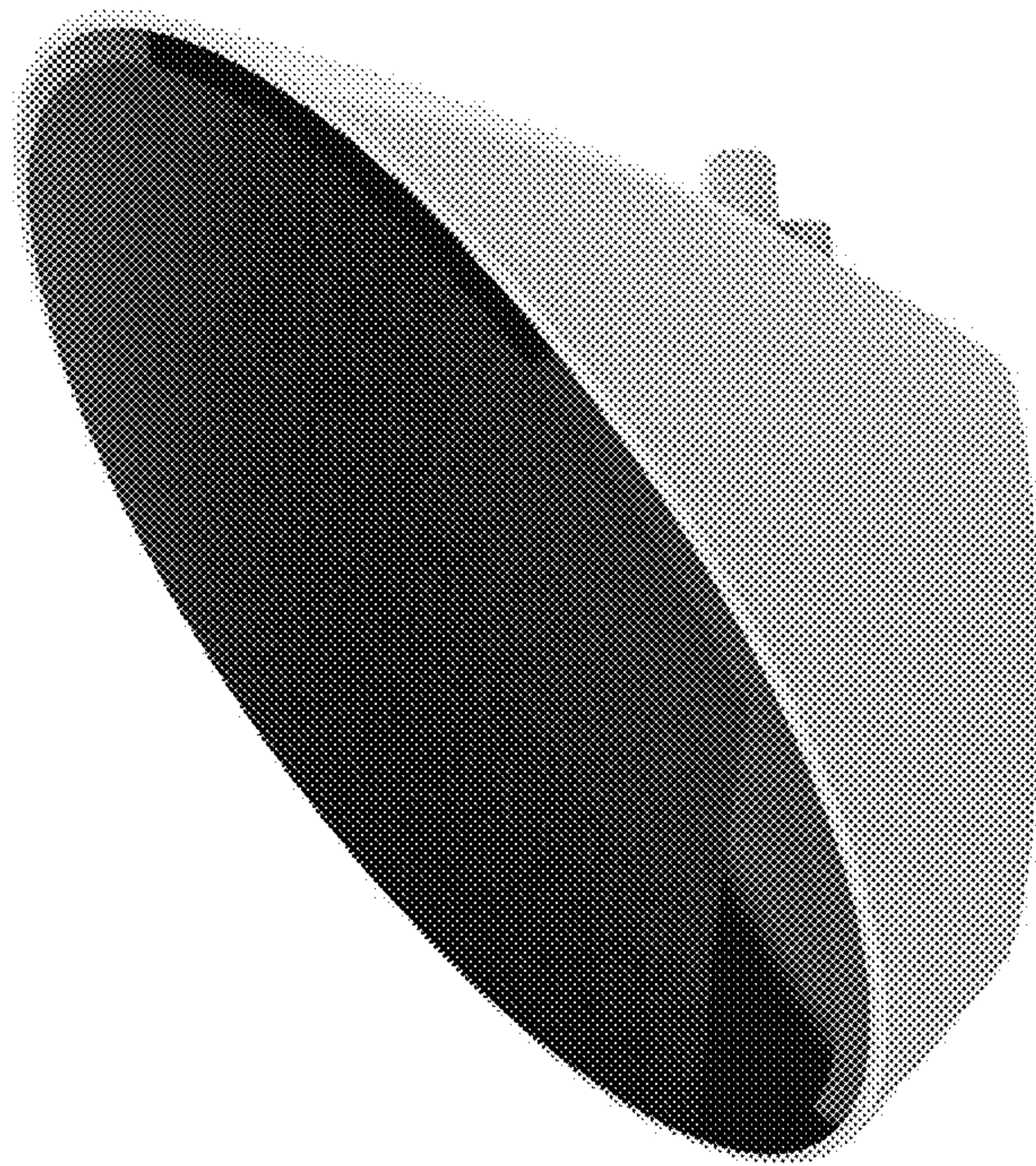


FIG. 8

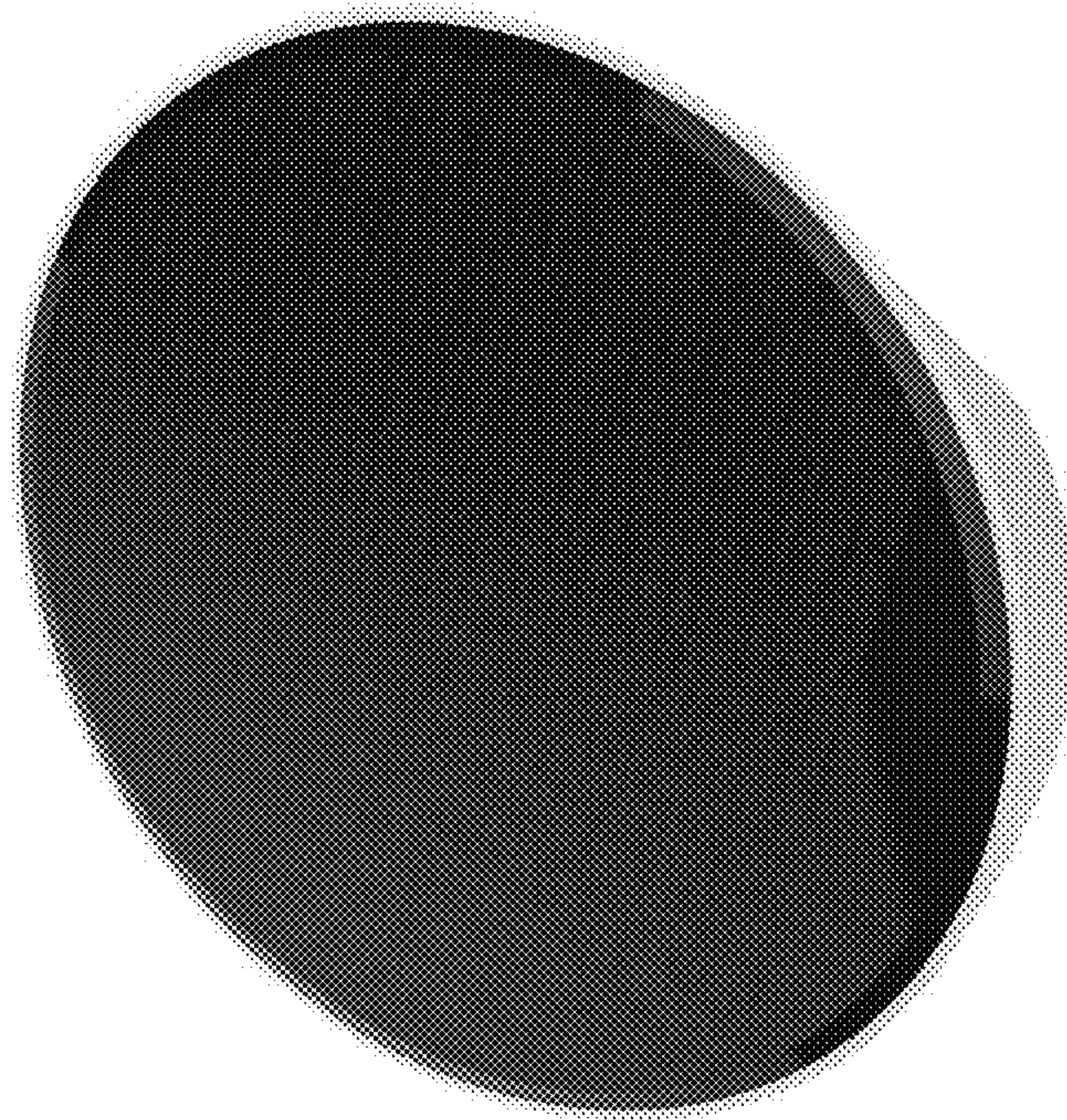


FIG. 9