



US00D844588S

(12) **United States Design Patent** (10) **Patent No.:** **US D844,588 S**  
**Brunner et al.** (45) **Date of Patent:** **\*\* \*Apr. 2, 2019**

- (54) **EARPIECE**
- (71) Applicant: **Apple Inc.**, Cupertino, CA (US)
- (72) Inventors: **Robert Brunner**, San Francisco, CA (US); **Christopher Kuh**, San Francisco, CA (US)
- (73) Assignee: **Apple Inc.**, Cupertino, CA (US)
- (\* ) Notice: This patent is subject to a terminal disclaimer.
- (\*\*) Term: **15 Years**
- (21) Appl. No.: **29/609,404**
- (22) Filed: **Jun. 30, 2017**

**Related U.S. Application Data**

- (60) Continuation of application No. 29/540,941, filed on Sep. 29, 2015, now Pat. No. Des. 792,378, which is a continuation of application No. 29/496,755, filed on Jul. 16, 2014, now Pat. No. Des. 741,299, which is a continuation of application No. 29/441,334, filed on Jan. 3, 2013, now Pat. No. Des. 712,382, and a continuation of application No. 29/501,037, filed on Aug. 29, 2014, now Pat. No. Des. 740,260, which is a division of application No. 29/441,334, filed on Jan. 3, 2013, now Pat. No. Des. 712,382.
- (51) **LOC (11) Cl.** ..... **14-01**
- (52) **U.S. Cl.**  
USPC ..... **D14/223**
- (58) **Field of Classification Search**  
USPC ..... D14/223, 205; D24/174; 128/864, 865, 128/866; 181/129, 130, 135; 379/430, 379/431; 381/380, 381, 374; 455/90.3, 455/575.1, 569.1  
CPC .... H04R 1/1066; H04R 1/1016; H04R 5/033; H04R 5/0335; H04R 1/10; H04R 25/00  
See application file for complete search history.

- (56) **References Cited**
- U.S. PATENT DOCUMENTS

968,008 A *	8/1910	Waller .....	128/866
1,558,191 A	10/1925	Lindemann	
2,009,390 A	7/1935	Bayardi	
2,248,837 A	7/1941	Walters	
2,430,229 A	11/1947	Kelsey	
2,474,135 A	6/1949	White	
2,545,731 A	3/1951	French	
2,719,523 A *	10/1955	Von Gierke .....	A61F 11/10 128/864
2,739,660 A	3/1956	French	
3,319,736 A	5/1967	Reynolds, Jr.	
D233,444 S	10/1974	Christian et al.	
D241,881 S	10/1976	Peterson et al.	

- (Continued)

**FOREIGN PATENT DOCUMENTS**

TW D126814 S 1/2009

**OTHER PUBLICATIONS**

Search Report for Taiwanese Application No. 099303307 dated Oct. 3, 2011.

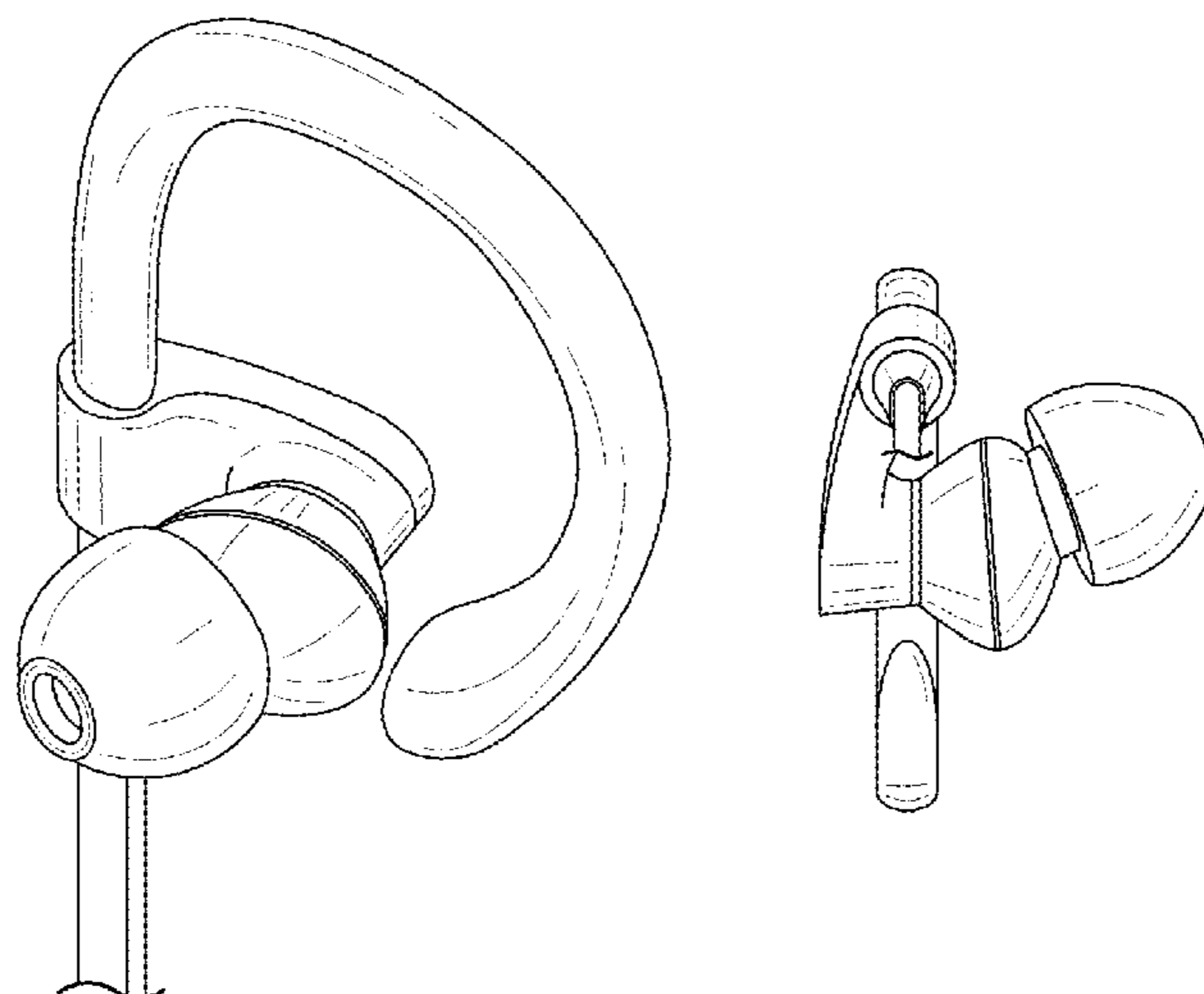
*Primary Examiner* — Paula Allen Greene  
(74) *Attorney, Agent, or Firm* — Sterne, Kessler, Goldstein & Fox P.L.L.C.

(57) **CLAIM**  
The ornamental design for an earpiece, as shown and described.

**DESCRIPTION**

FIG. 1 is a top rear perspective view of an earpiece showing the claimed design;  
FIG. 2 is a front view thereof;  
FIG. 3 is a rear view thereof;  
FIG. 4 is a side perspective view thereof;  
FIG. 5 is a top view thereof; and,  
FIG. 6 is a bottom view thereof.

**1 Claim, 1 Drawing Sheet**



(56)

References Cited

U.S. PATENT DOCUMENTS

4,133,984 A	1/1979	Akiyama		D582,398 S	12/2008	Nam et al.	
4,253,452 A	3/1981	Powers et al.		D584,293 S	1/2009	Kim et al.	
D259,279 S *	5/1981	Takeda .....	D24/106	D585,881 S	2/2009	Nam et al.	
D270,634 S	9/1983	Ungar		D587,681 S *	3/2009	Yanai .....	D14/205
D276,143 S	10/1984	Williams		D587,685 S	3/2009	Densho	
4,646,872 A	3/1987	Kamon et al.		D589,493 S *	3/2009	Densho .....	D14/206
D299,344 S	1/1989	Stevens		D591,264 S	4/2009	Hong et al.	
D299,454 S	1/1989	Kwong		D591,721 S	5/2009	Densho	
D309,306 S	7/1990	Weiser et al.		D591,722 S	5/2009	Densho	
4,997,055 A	3/1991	Grady		D593,075 S *	5/2009	Williams .....	D14/223
D316,550 S	4/1991	Sogabe		D594,441 S	6/2009	Lee et al.	
D318,670 S	7/1991	Taniguchi		7,551,748 B2	6/2009	Kamo et al.	
D326,855 S	6/1992	Bose et al.		D597,084 S *	7/2009	Gondo .....	D14/223
D331,966 S	12/1992	Gardner, Jr.		D598,894 S	8/2009	Masuda et al.	
5,179,501 A	1/1993	Ocken et al.		D598,901 S	8/2009	Lee et al.	
D334,043 S	3/1993	Taniguchi et al.		D599,778 S	9/2009	Ando	
5,210,792 A	5/1993	Kajihara		D599,781 S	9/2009	Lee et al.	
D375,959 S *	11/1996	Davis .....	D14/206	D600,675 S	9/2009	Lee et al.	
5,625,171 A	4/1997	Marshall		D601,126 S	9/2009	Christopher et al.	
5,659,156 A	8/1997	Mauney et al.		D602,475 S	10/2009	Martin	
D383,757 S	9/1997	Dobrusskin et al.		D602,905 S	10/2009	Morisawa	
D385,254 S	10/1997	Owusu		D603,837 S	11/2009	Martin	
D421,755 S	3/2000	Pitel		D603,847 S *	11/2009	Chung .....	D14/223
6,056,082 A	5/2000	Lindgren et al.		D604,272 S	11/2009	Kitayama	
D430,060 S	8/2000	Kaválek		D605,628 S	12/2009	Ando	
6,101,260 A	8/2000	Jensen et al.		D606,048 S	12/2009	Soetejo et al.	
6,233,344 B1	5/2001	Clegg et al.		D606,971 S	12/2009	Christopher et al.	
D443,261 S	6/2001	Yuyama		D607,875 S	1/2010	Pedersen, II	
D443,859 S	6/2001	Hogan		7,648,005 B2 *	1/2010	Leong .....	A61F 11/08 128/867
D457,514 S	5/2002	Marion et al.		D609,698 S	2/2010	Ng	
D459,342 S	6/2002	Marion et al.		7,664,287 B2	2/2010	Neu et al.	
D460,749 S	7/2002	Liu		7,681,577 B2 *	3/2010	Blanchard .....	A61F 11/08 128/846
6,427,018 B1	7/2002	Keliiliki		D613,274 S	4/2010	Lee et al.	
D463,791 S	10/2002	Nagai et al.		D614,168 S	4/2010	Rogers et al.	
D470,129 S	2/2003	Hlas et al.		7,708,110 B2 *	5/2010	Leong .....	A61F 11/08 128/867
D471,889 S	3/2003	Rath et al.		D617,780 S	6/2010	Jaakkola et al.	
D475,996 S	6/2003	Skulley		D618,211 S	6/2010	Oguro et al.	
D481,377 S	10/2003	Eguchi		D618,669 S	6/2010	Johnson et al.	
D482,348 S	11/2003	Villaverde et al.		D622,707 S	8/2010	Chen et al.	
6,728,388 B1	4/2004	Nageno et al.		D623,171 S	9/2010	Chen et al.	
6,738,487 B1	5/2004	Nageno et al.		D624,529 S *	9/2010	Huang .....	D14/206
6,771,790 B2	8/2004	Liu		D624,901 S *	10/2010	Blanchard .....	D14/205
D501,196 S	1/2005	Dyer et al.		D626,117 S	10/2010	Lowry	
6,868,284 B2	3/2005	Bae		D627,764 S	11/2010	Tsai et al.	
D508,479 S	8/2005	Okada		7,841,446 B2 *	11/2010	Leong .....	A61F 11/08 128/867
D508,911 S	8/2005	Sanders		D628,555 S	12/2010	Ponzio et al.	
D510,085 S	9/2005	Suzuki		D630,179 S	1/2011	Park et al.	
D510,575 S	10/2005	Leong		D631,037 S	1/2011	Park et al.	
D526,642 S	8/2006	Choe		D631,470 S	1/2011	Yoneyama et al.	
D528,531 S	9/2006	Rose et al.		D634,305 S	3/2011	Hoggarth	
D529,901 S	10/2006	Ohta		D635,960 S *	4/2011	Gondo .....	D14/223
D535,642 S	1/2007	Garcia et al.		D636,763 S	4/2011	Walter	
D539,268 S	3/2007	Suzuki		D637,182 S	5/2011	Lee et al.	
D542,267 S *	5/2007	Cha .....	D14/206	D637,998 S	5/2011	Brunner et al.	
D542,282 S	5/2007	Yoshiyama		D637,999 S	5/2011	Brunner et al.	
D543,968 S	6/2007	Wong		D641,008 S	7/2011	Lee et al.	
D543,972 S	6/2007	Taylor		D641,010 S	7/2011	Kwon	
7,231,056 B2	6/2007	Chen		D641,736 S	7/2011	Brunner et al.	
D550,657 S *	9/2007	Gan .....	D14/223	D642,163 S	7/2011	Lee et al.	
D554,109 S	10/2007	Ledbetter et al.		D643,414 S	8/2011	Lee et al.	
D554,627 S	11/2007	Gondo		D643,416 S	8/2011	Chong et al.	
D556,735 S	12/2007	Yeo		D643,417 S	8/2011	Lee et al.	
D558,735 S	1/2008	Carr et al.		D643,418 S *	8/2011	Lee .....	D14/223
D559,837 S	1/2008	Nakano		8,068,633 B2	11/2011	Lee et al.	
D564,495 S	3/2008	Sasaki		D652,817 S	1/2012	Lee et al.	
D566,104 S	4/2008	Suzuki		D652,822 S	1/2012	Lee et al.	
D569,841 S	5/2008	Chung et al.		8,090,135 B2	1/2012	Lin	
D574,361 S	8/2008	Sasaki		8,265,328 B2	9/2012	Milde et al.	
D574,367 S	8/2008	Jaakkola et al.		D678,251 S	3/2013	Cantoni et al.	
D575,772 S	8/2008	Schultz et al.		D686,196 S	7/2013	Lee et al.	
D576,154 S	9/2008	Ledbetter et al.		D695,275 S	12/2013	Chee	
D578,507 S	10/2008	Ando		D699,213 S	2/2014	Burgett et al.	
D579,005 S	10/2008	Wilhelmsen		D700,905 S *	3/2014	Pavitsich .....	D14/223
D579,444 S	10/2008	Ewert et al.		D707,652 S	6/2014	Brunner et al.	
D579,923 S	11/2008	Andre et al.		D710,333 S	8/2014	Davies et al.	

(56)

**References Cited**

## U.S. PATENT DOCUMENTS

D712,382 S \* 9/2014 Brunner ..... D14/223  
D713,385 S 9/2014 Burgett et al.  
D713,822 S 9/2014 Paradise et al.  
D716,770 S 11/2014 Bonahoom et al.  
D725,637 S 3/2015 Nakajima  
D730,876 S \* 6/2015 Dahlberg ..... D14/223  
D734,744 S 7/2015 Brunner et al.  
D740,260 S 10/2015 Brunner et al.  
D741,299 S 10/2015 Brunner et al.  
D743,945 S \* 11/2015 Brunner ..... D14/223  
D743,946 S 11/2015 Brunner et al.  
9,197,956 B2 \* 11/2015 Iseberg ..... H04R 1/1016  
D780,721 S \* 3/2017 Brunner ..... D14/223  
D792,378 S \* 7/2017 Brunner ..... D14/223  
D806,684 S \* 1/2018 Tsai ..... D14/223  
D821,364 S \* 6/2018 Brunner ..... D14/223  
2009/0285434 A1 11/2009 Williams et al.  
2011/0051979 A1 3/2011 Lee et al.  
2011/0176700 A1 7/2011 Hashimoto  
2013/0216087 A1 8/2013 MacDonald  
2014/0166389 A1 \* 6/2014 Young-Mun ..... H04R 1/1016  
181/135

\* cited by examiner

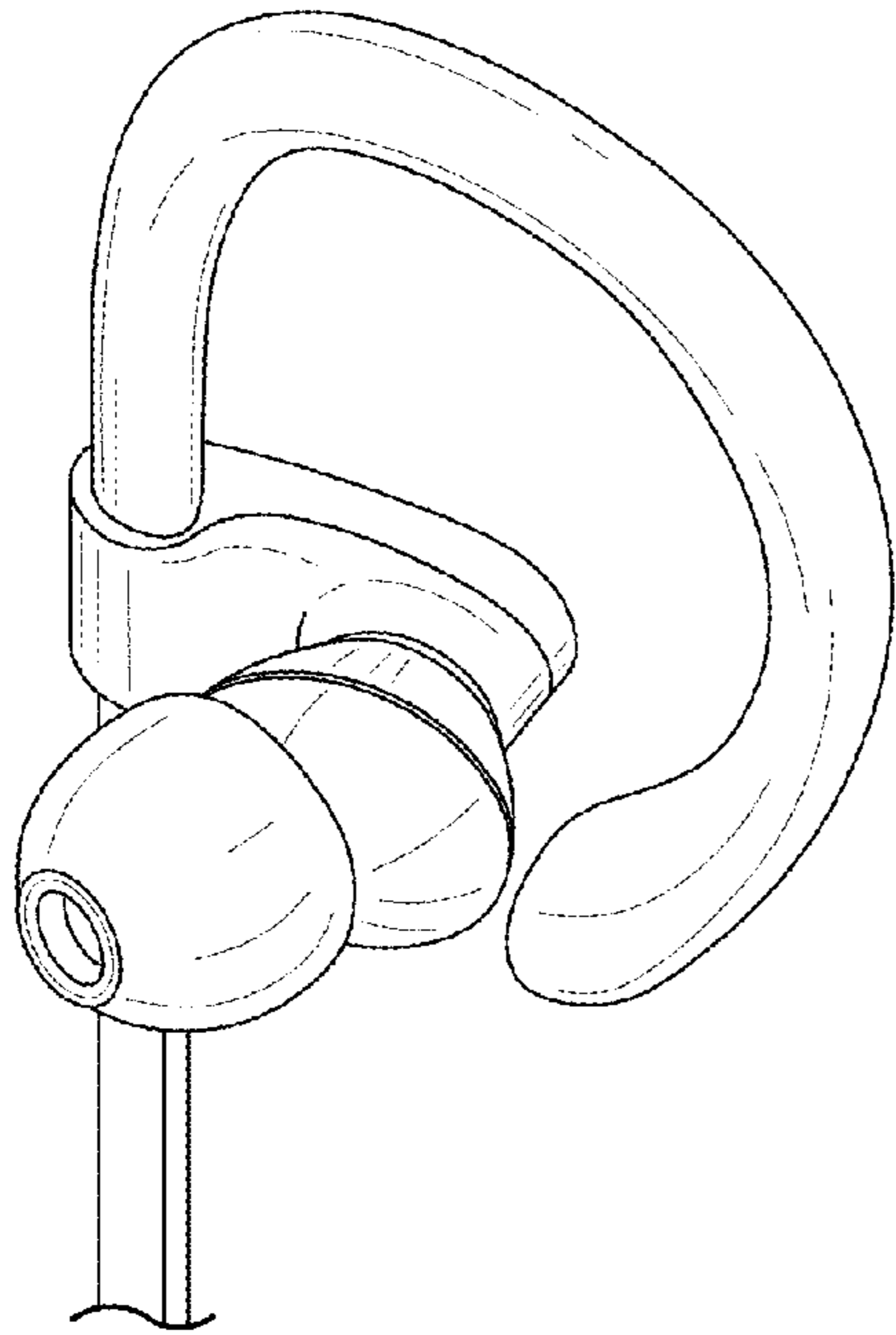


FIG. 1

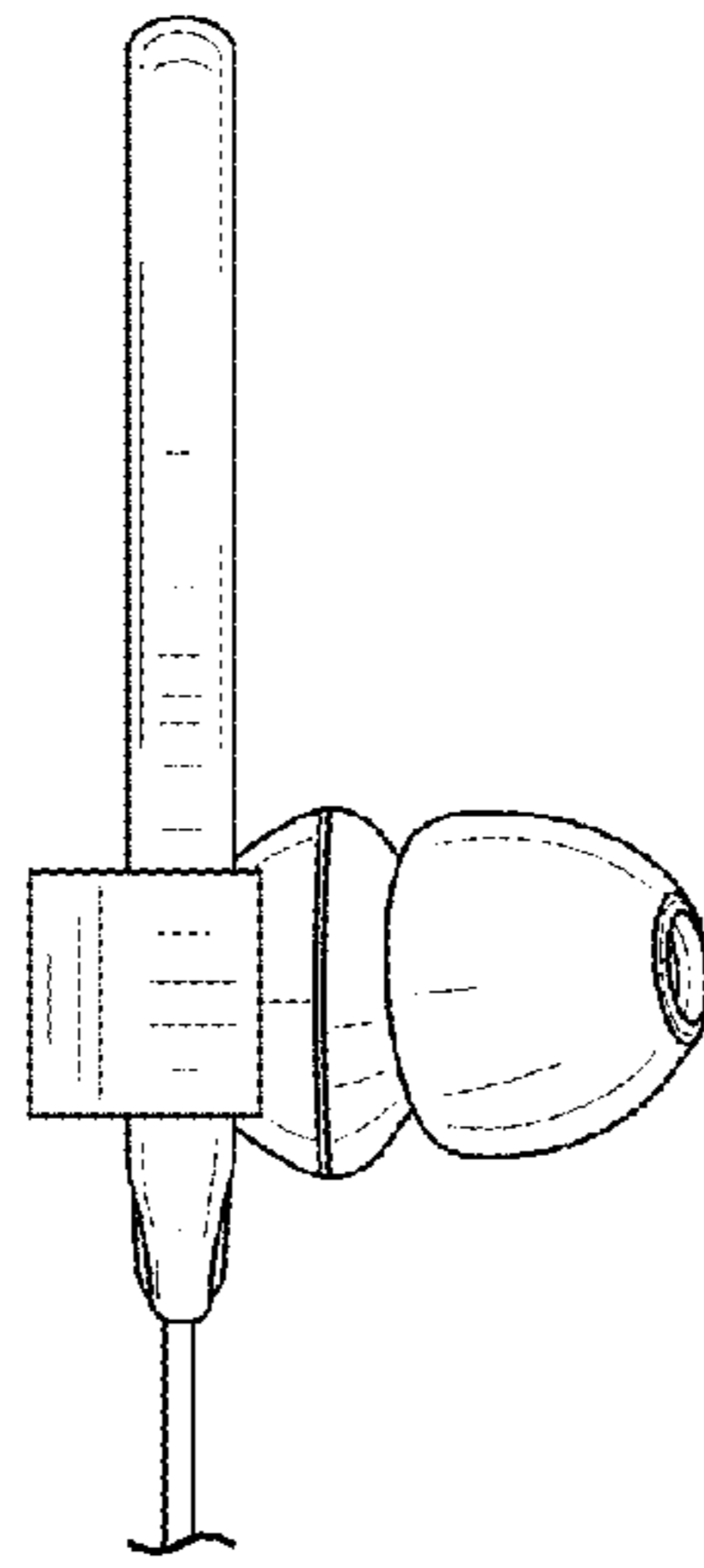


FIG. 2

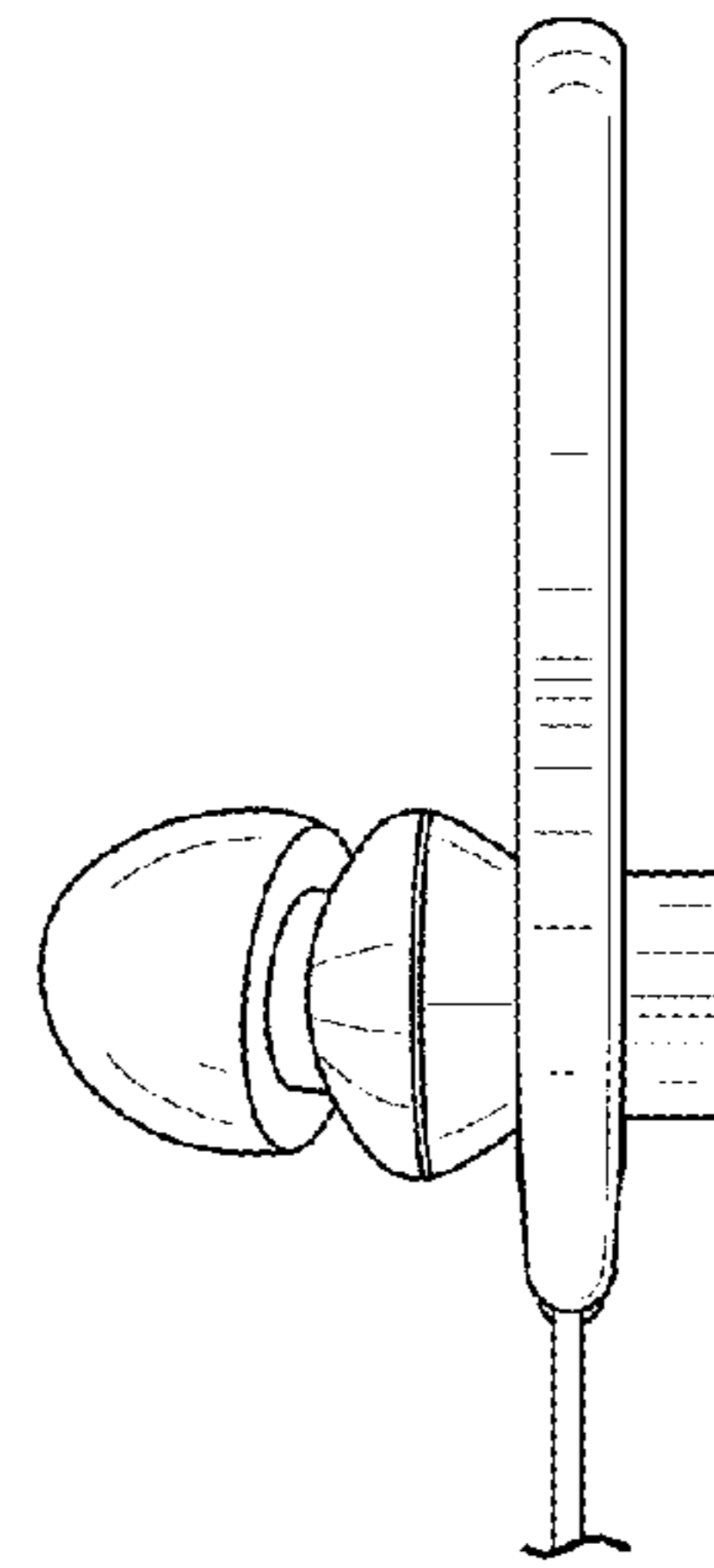


FIG. 3

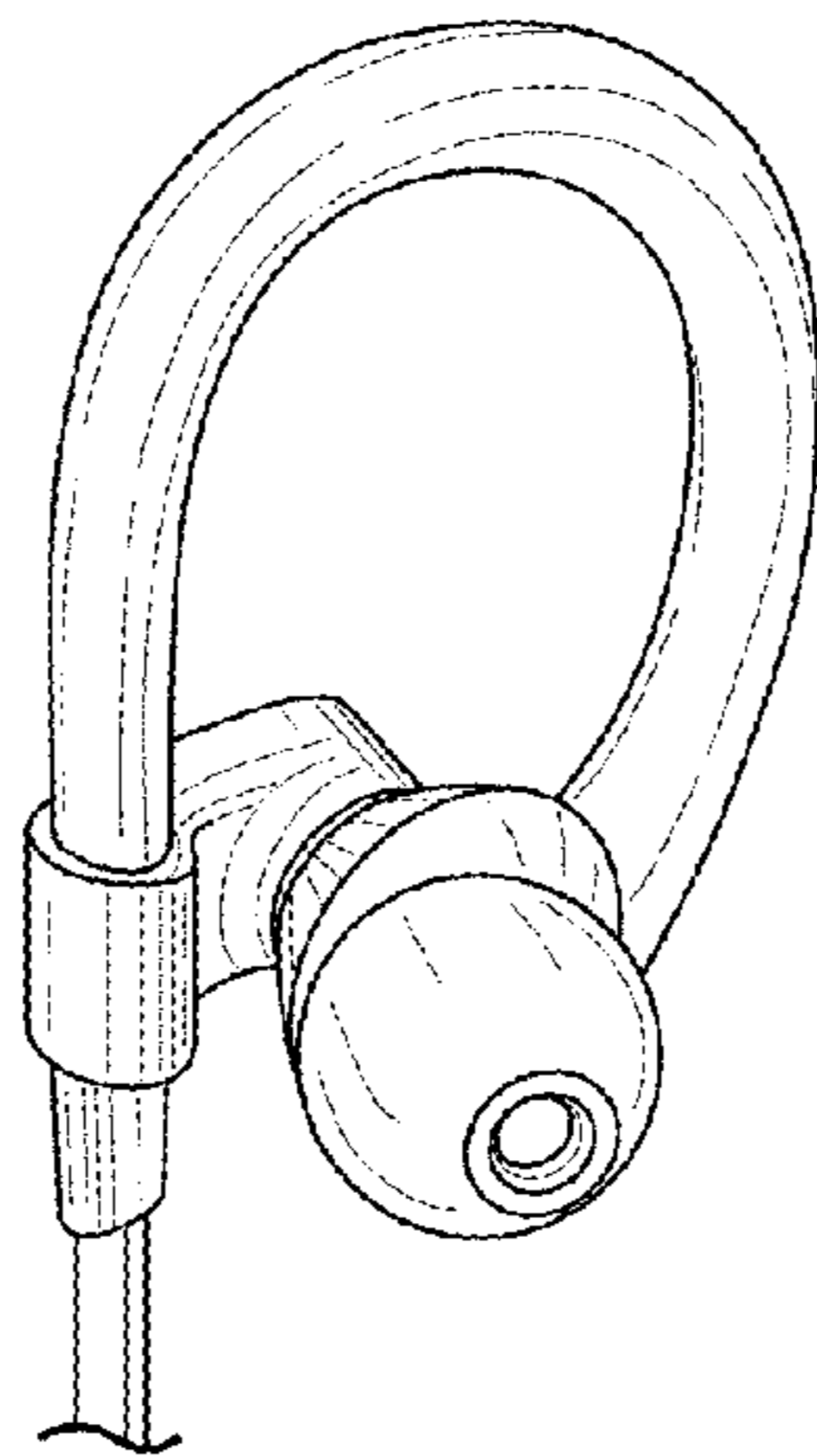


FIG. 4

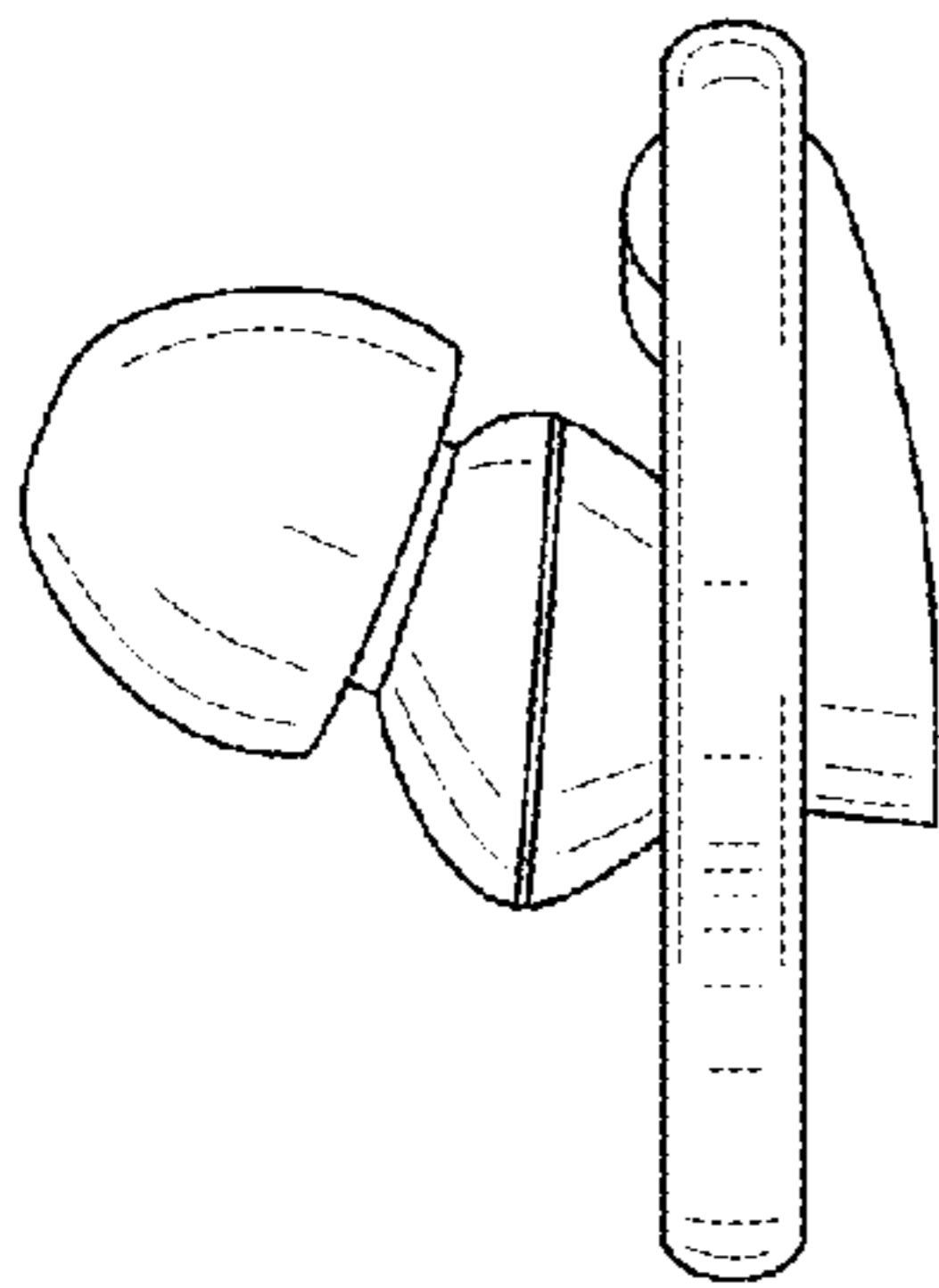


FIG. 5

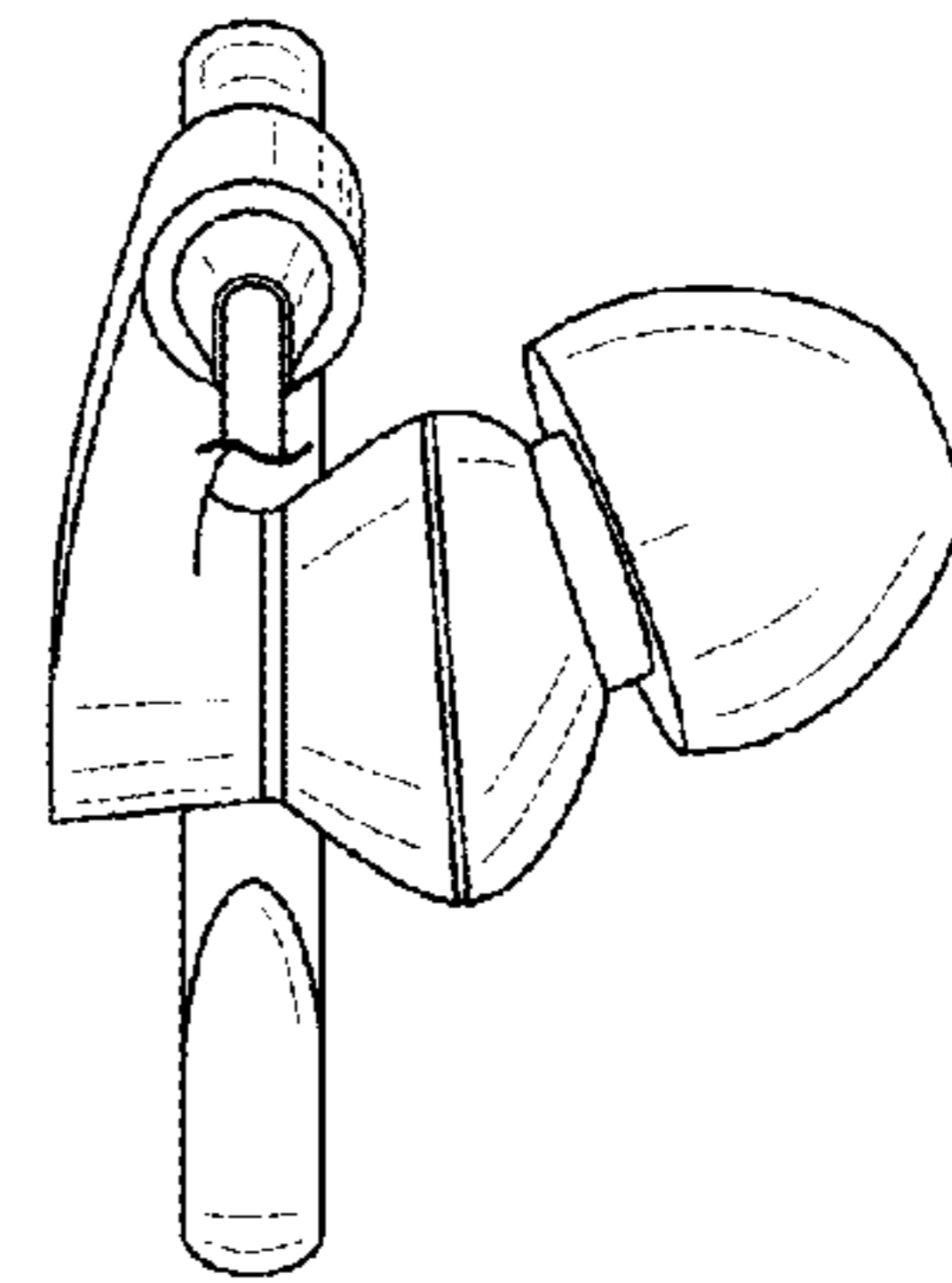


FIG. 6

UNITED STATES PATENT AND TRADEMARK OFFICE  
**CERTIFICATE OF CORRECTION**

PATENT NO. : D844,588 S  
APPLICATION NO. : 29/609404  
DATED : April 2, 2019  
INVENTOR(S) : Brunner et al.

Page 1 of 1

It is certified that error appears in the above-identified patent and that said Letters Patent is hereby corrected as shown below:

On the Title Page

In the Related U.S. Application Data Item (60), replace:

“Continuation of application No. 29/540,941, filed on Sep. 29, 2015, now Pat. No. Des. 792,378, which is a continuation of application No. 29/496,755, filed on Jul. 16, 2014, now Pat. No. Des. 741,299, which is a continuation of application No. 29/441,334, filed on Jan. 3, 2013, now Pat. No. Des. 712,382, and a continuation of application No. 29/501,037, filed on Aug. 29, 2014, now Pat. No. Des. 740,260, which is a division of application No. 29/441,334, filed on Jan. 3, 2013, now Pat. No. Des. 712,382.”

With:

--Continuation of application No. 29/540,941, filed on Sep. 29, 2015, now Pat. No. Des. 792,378, which is a continuation of application No. 29/496,755, filed on Jul. 16, 2014, now Pat. No. Des. 741,299, which is a continuation of application No. 29/441,334, filed on Jan. 3, 2013, now Pat. No. Des. 712,382. Said application No. 29/540,941 is a continuation of application No. 29/501,037, filed on Aug. 29, 2014, now Pat. No. Des. 740,260, which is a division of application No. 29/441,334, filed on Jan. 3, 2013, now Pat. No. Des. 712,382.--

Signed and Sealed this  
Eleventh Day of May, 2021



Drew Hirshfeld  
*Performing the Functions and Duties of the  
Under Secretary of Commerce for Intellectual Property and  
Director of the United States Patent and Trademark Office*