



US00D844582S

(12) **United States Design Patent**  
**Takahata**

(10) **Patent No.:** **US D844,582 S**

(45) **Date of Patent:** **\*\* Apr. 2, 2019**

(54) **INTERPHONE**

(71) Applicant: **AIPHONE CO., LTD.**, Nagoya (JP)

(72) Inventor: **Kotaro Takahata**, Nagoya (JP)

(73) Assignee: **Aiphone Co., Ltd.**, Nagoya (JP)

(\*\*) Term: **15 Years**

(21) Appl. No.: **29/577,746**

(22) Filed: **Sep. 15, 2016**

(30) **Foreign Application Priority Data**

Mar. 31, 2016 (JP) ..... 2016-007146  
Mar. 31, 2016 (JP) ..... 2016-007153  
Mar. 31, 2016 (JP) ..... 2016-007154

(51) **LOC (11) Cl.** ..... **14-03**

(52) **U.S. Cl.**  
USPC ..... **D14/159**

(58) **Field of Classification Search**  
USPC ..... D14/302-307, 900-902, 159; D13/163;  
D20/10; D21/332, 325, 369, 370;  
D99/28; D6/397, 466; 194/206;  
361/679.01, 679.02, 679.04, 679.21,  
361/679.57, 725  
CPC ..... G06Q 20/18; G06Q 20/10; G06Q 20/123;  
G06Q 20/20; G06Q 30/02; G06Q 30/06;  
A47F 9/047  
See application file for complete search history.

(56) **References Cited**

**U.S. PATENT DOCUMENTS**

D509,820 S \* 9/2005 Yoshida ..... D14/159  
D519,100 S \* 4/2006 Shioya ..... D14/159

D520,488 S \* 5/2006 Fabrizi ..... D14/159  
D522,490 S \* 6/2006 Yukikado ..... D14/159  
D525,963 S \* 8/2006 Yukikado ..... D14/159  
D531,160 S \* 10/2006 Yukikado ..... D14/159  
D588,574 S \* 3/2009 Takahata ..... D14/159  
D660,819 S \* 5/2012 Chen ..... D14/159  
D728,509 S \* 5/2015 Hinkel ..... D14/159  
D761,756 S \* 7/2016 Michielan ..... D14/159  
D761,758 S \* 7/2016 Michielan ..... D14/159  
D820,804 S \* 6/2018 Nagatsuka ..... D14/159  
D820,805 S \* 6/2018 Nagatsuka ..... D14/159

\* cited by examiner

*Primary Examiner* — Austin Murphy

(74) *Attorney, Agent, or Firm* — Burr & Brown, PLLC

(57) **CLAIM**

The ornamental design for an interphone, as shown and described.

**DESCRIPTION**

FIG. 1 is a front view of the interphone illustrating my new design;  
FIG. 2 is a rear view thereof;  
FIG. 3 is a left side view thereof;  
FIG. 4 is a right side view thereof;  
FIG. 5 is a top plan view thereof;  
FIG. 6 is a bottom plan view thereof; and,  
FIG. 7 is a front perspective view thereof.  
The broken lines shown in the drawings represent portions of the interphone that form no part of the claimed design.

**1 Claim, 7 Drawing Sheets**

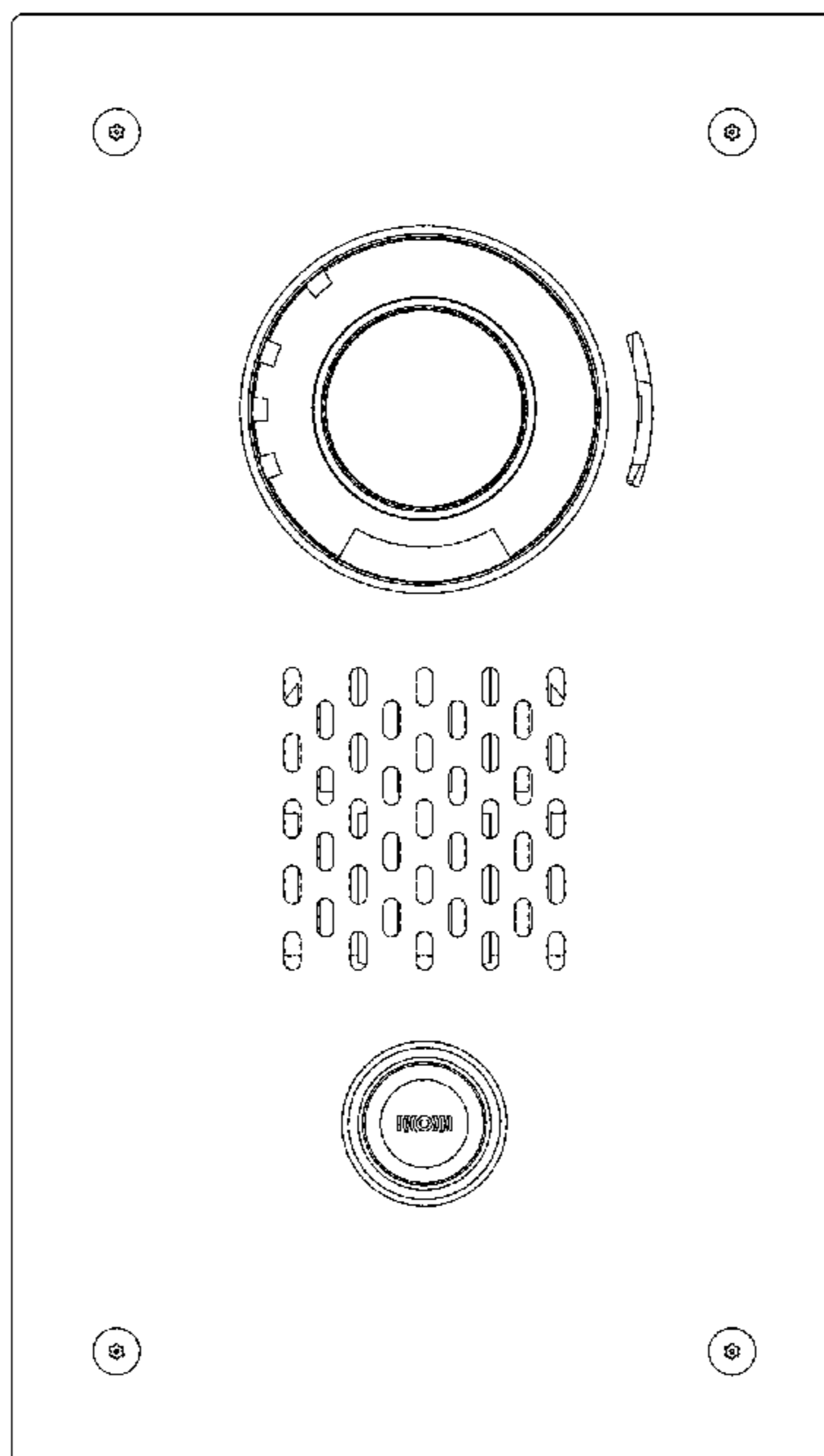


FIG.1

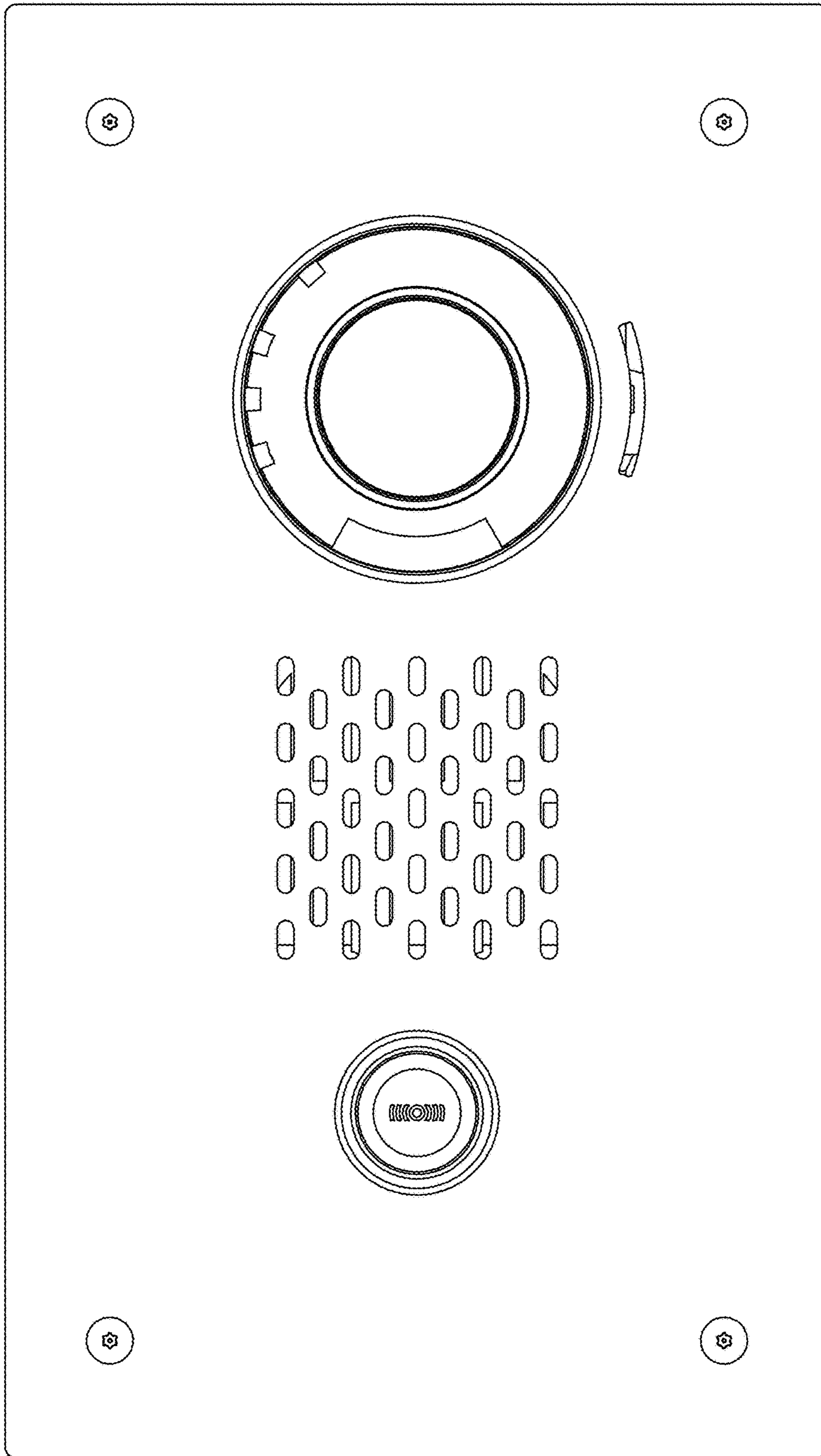


FIG.2

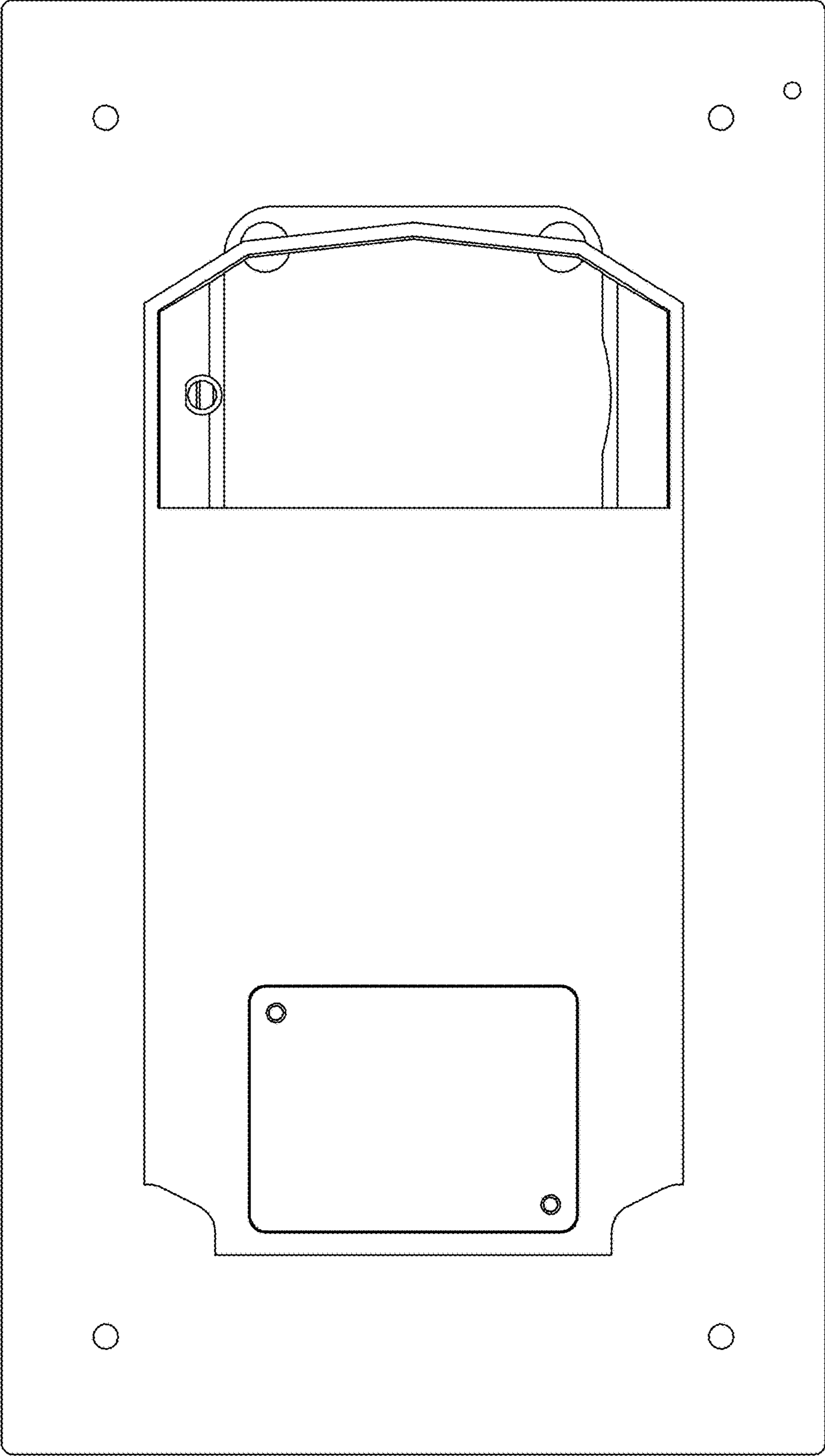


FIG.3

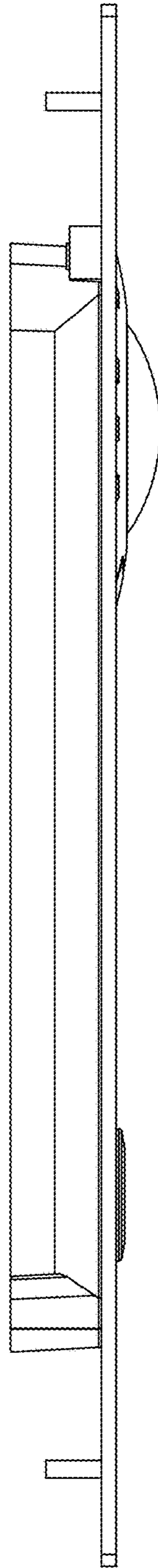


FIG.4

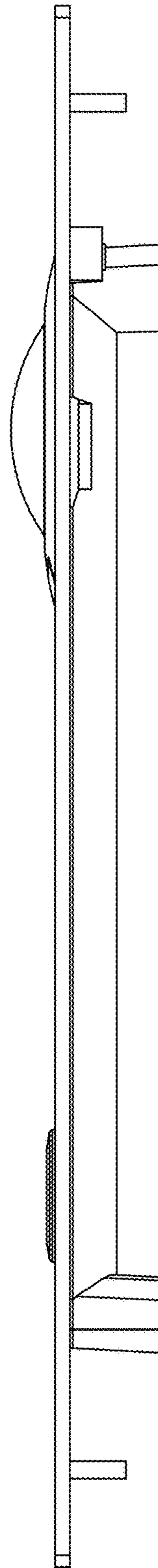


FIG.5

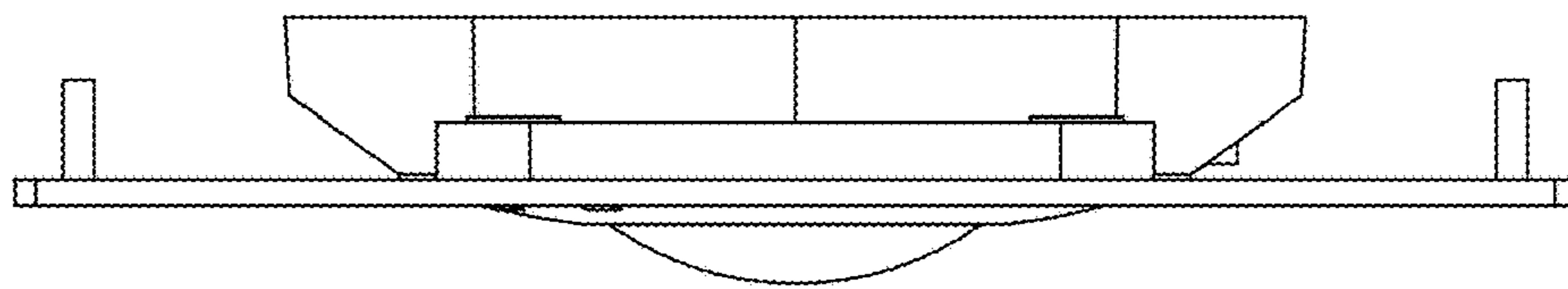


FIG.6

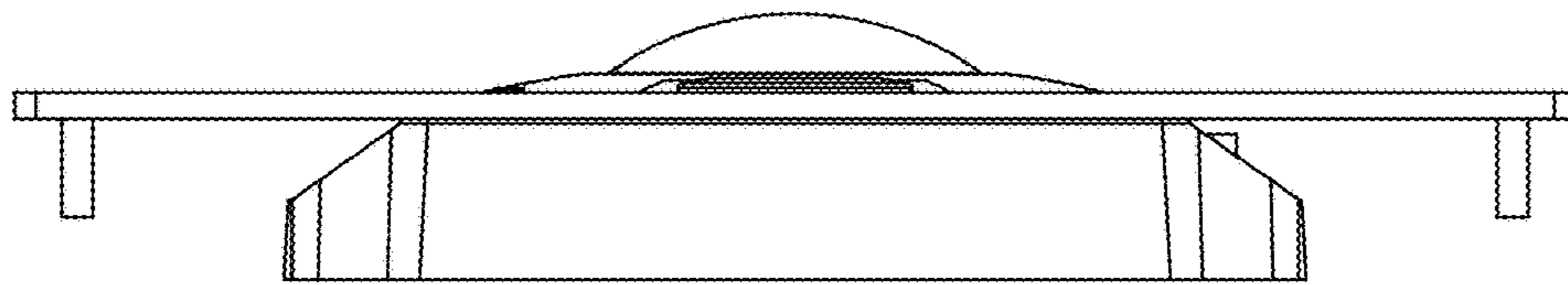


FIG.7

