



US00D844581S

(12) **United States Design Patent**
Zhou

(10) **Patent No.:** **US D844,581 S**

(45) **Date of Patent:** **** Apr. 2, 2019**

(54) **ENODEB**

88/12; H04W 88/14; H04W 88/16; H04W 88/18;

(Continued)

(71) Applicant: **HUAWEI TECHNOLOGIES CO., LTD.**, Shenzhen (CN)

(56) **References Cited**

(72) Inventor: **Bo Zhou**, Shenzhen (CN)

U.S. PATENT DOCUMENTS

(73) Assignee: **HUAWEI TECHNOLOGIES CO., LTD.**, Shenzhen (CN)

D420,674 S * 2/2000 Powell D14/137
D427,180 S * 6/2000 Humes D14/230
D429,238 S * 8/2000 Kolinen D14/240

(Continued)

(**) Term: **15 Years**

OTHER PUBLICATIONS

(21) Appl. No.: **29/602,473**

Base Stations. (Design—© Questel) orbit.com.[online PDF] 40pgs. Publish Dates range from Aug. 28, 2013 to Aug. 10, 2017. [Retrieved on May 24, 2018] <https://sobjprd.questel.fr/export/QPTUJ214/pdf2/a7bb6534-2d6c-4ffc-964c-1e87b9eaf2ec-221048.pdf>.*

(22) Filed: **May 1, 2017**

(30) **Foreign Application Priority Data**

Primary Examiner — Marie D. Fast Horse
(74) *Attorney, Agent, or Firm* — Kilpatrick Townsend & Stockton LLP

Oct. 31, 2016 (CN) 2016 3 0519794

(51) **LOC (11) Cl.** **14-03**

(57) **CLAIM**

(52) **U.S. Cl.**

The ornamental design for an eNodeB, as shown and described.

USPC **D14/142; D14/240**

DESCRIPTION

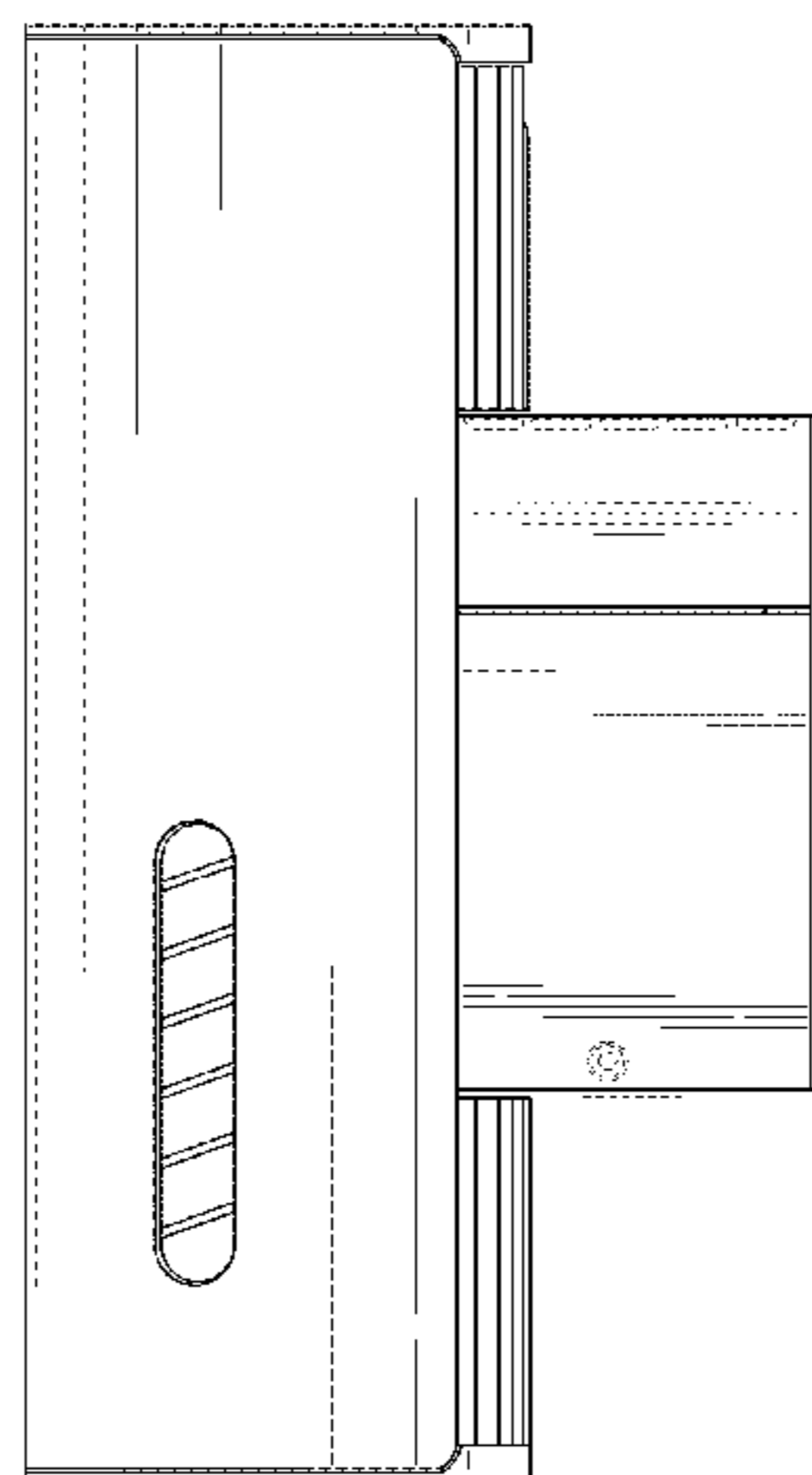
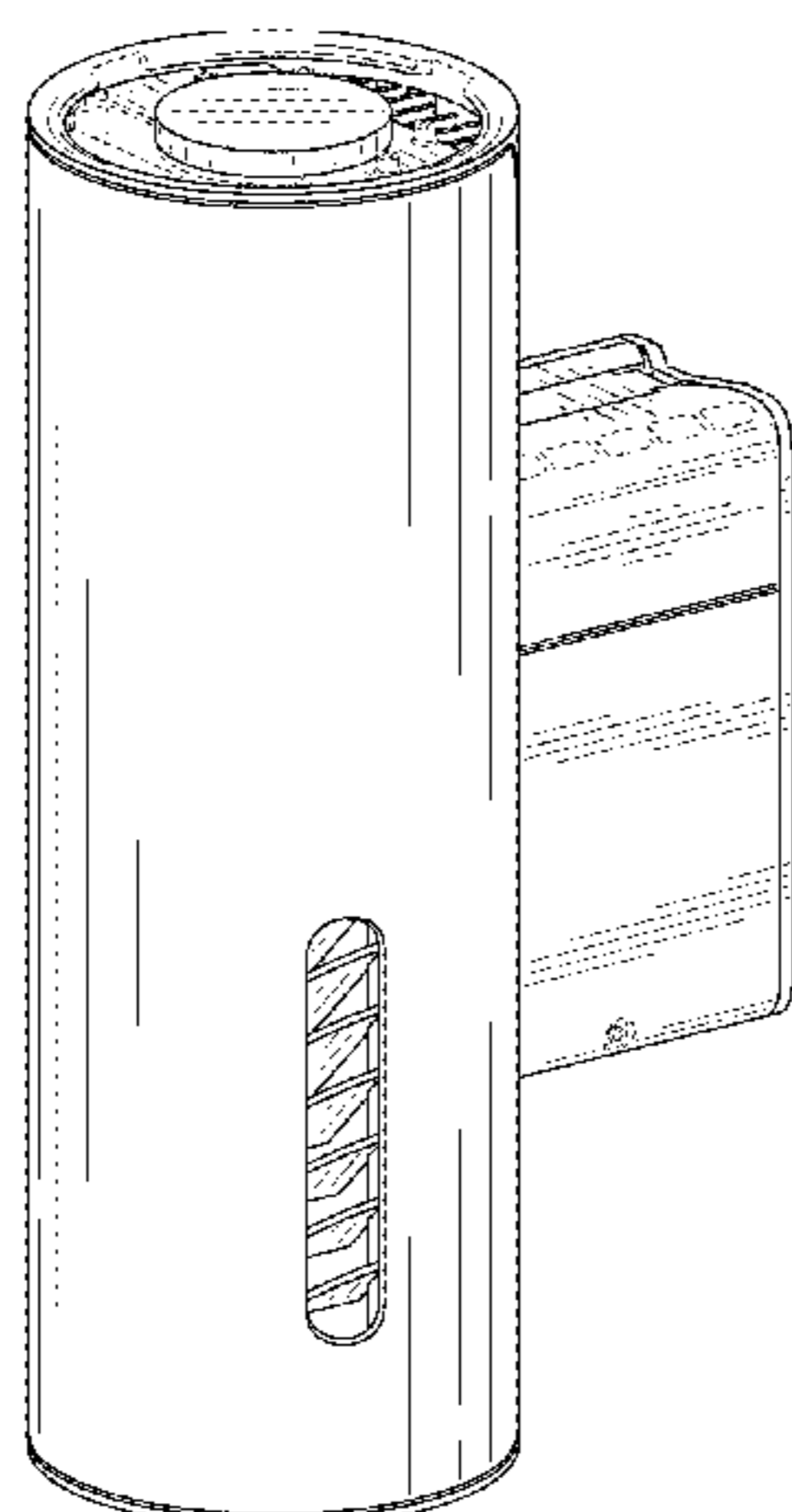
(58) **Field of Classification Search**

USPC D14/240, 242, 496, 140, 140.1, 140.6, D14/142, 230, 299, 125, 129, 130, 155, D14/168, 188, 195, 356, 357, 358, 361, D14/362, 365, 367, 370, 388, 432, 434; D13/103, 107, 108, 123, 152, 162, 162.1, D13/163, 168, 184, 199, 137.1, 137.2, D13/137.3, 139.1, 158; D10/104.1, D10/106.1, 106.6, 116.1, 61, 64, 75, D10/106.9; D23/355, 364, 366; D26/26, D26/72, 73, 32, 34, 366, 367

CPC ... H04W 88/08; H04W 88/085; H04W 88/00; H04W 88/005; H04W 88/02; H04W

FIG. 1 is a front perspective view of an eNodeB showing my new design;
FIG. 2 is a front view thereof;
FIG. 3 is a rear view thereof;
FIG. 4 is a left side view thereof;
FIG. 5 is a right side view thereof;
FIG. 6 is a top view thereof;
FIG. 7 is a bottom view thereof;
FIG. 8 is a front perspective view of the design of FIGS. 1-7, shown with an upper module;
FIG. 9 is a front perspective view of the design of FIGS. 1-7, shown with a lower module; and
FIG. 10 is a front perspective view of the design of FIGS. 1-7, shown with upper and lower modules and wires extending from the rear side of the article.

(Continued)



The broken lines in FIGS. 8, 9, and 10 showing the additional modules and wires depict environmental subject matter only and form no part of the claimed design; while all other broken lines in the drawings depict portions of the eNobeB that form no part of the claim. The unshaded surfaces seen between the solid lines and broken lines form no part of the claim.

1 Claim, 8 Drawing Sheets

(58) **Field of Classification Search**

CPC H04W 4/00; H01Q 1/02; H01Q 1/2291;
H01Q 1/246; H04B 1/38

See application file for complete search history.

(56) **References Cited**

U.S. PATENT DOCUMENTS

D437,243 S * 2/2001 Cessac D10/104.1
D459,262 S * 6/2002 Kurz D10/104.1
D471,654 S * 3/2003 Schenck D26/26
D489,058 S * 4/2004 Ma D14/240
D489,701 S * 5/2004 Griffin D14/155
D501,192 S * 1/2005 Griffin D14/155
D534,149 S * 12/2006 Griffin D14/155
D534,896 S * 1/2007 Lin D14/188
D535,379 S * 1/2007 Hundertmark D23/366
D544,592 S * 6/2007 Caserta D23/366
D565,036 S * 3/2008 Ju D14/240
D583,976 S * 12/2008 Horn D26/72
D589,501 S * 3/2009 Avicola D13/144

D598,012 S * 8/2009 Kokkonen D14/240
D598,020 S * 8/2009 Lu D14/358
D602,615 S * 10/2009 Liu D13/108
D604,823 S * 11/2009 Schwartz D23/366
D608,760 S * 1/2010 Xie D14/188
D642,301 S * 7/2011 Rothman D26/26
D655,280 S * 3/2012 MacManus D14/140.1
D663,293 S * 7/2012 MacManus D14/140.1
D674,787 S * 1/2013 Tsuda D14/240
D674,788 S * 1/2013 Tsuda D14/240
D724,583 S * 3/2015 Ge D14/356
D729,921 S * 5/2015 Poindexter D23/364
D730,506 S * 5/2015 Poindexter D23/364
D737,789 S * 9/2015 Leung D14/125
D742,864 S * 11/2015 Kurosawa D14/240
D752,566 S * 3/2016 Hinman D14/242
D771,141 S * 11/2016 Langhammer D14/496
D778,956 S * 2/2017 Langhammer D14/203.1
D783,579 S * 4/2017 MacManus D14/240
D783,580 S * 4/2017 MacManus D14/240
D784,969 S * 4/2017 MacManus D14/240
D784,970 S * 4/2017 MacManus D14/240
D789,361 S * 6/2017 Ali D14/358
D791,767 S * 7/2017 Ali D14/358
D792,397 S * 7/2017 Ma D14/358
D792,468 S * 7/2017 Langhammer D14/203.3
D798,296 S * 9/2017 Ali D14/358
D802,022 S * 11/2017 Yao D14/496
D807,553 S * 1/2018 Harbs D26/73
D807,555 S * 1/2018 Harbs D26/73
D810,134 S * 2/2018 Langhammer D14/496
D810,135 S * 2/2018 Langhammer D14/496
D810,136 S * 2/2018 Langhammer D14/496
D810,137 S * 2/2018 Tsang D14/496
D813,213 S * 3/2018 Honda D14/240

* cited by examiner

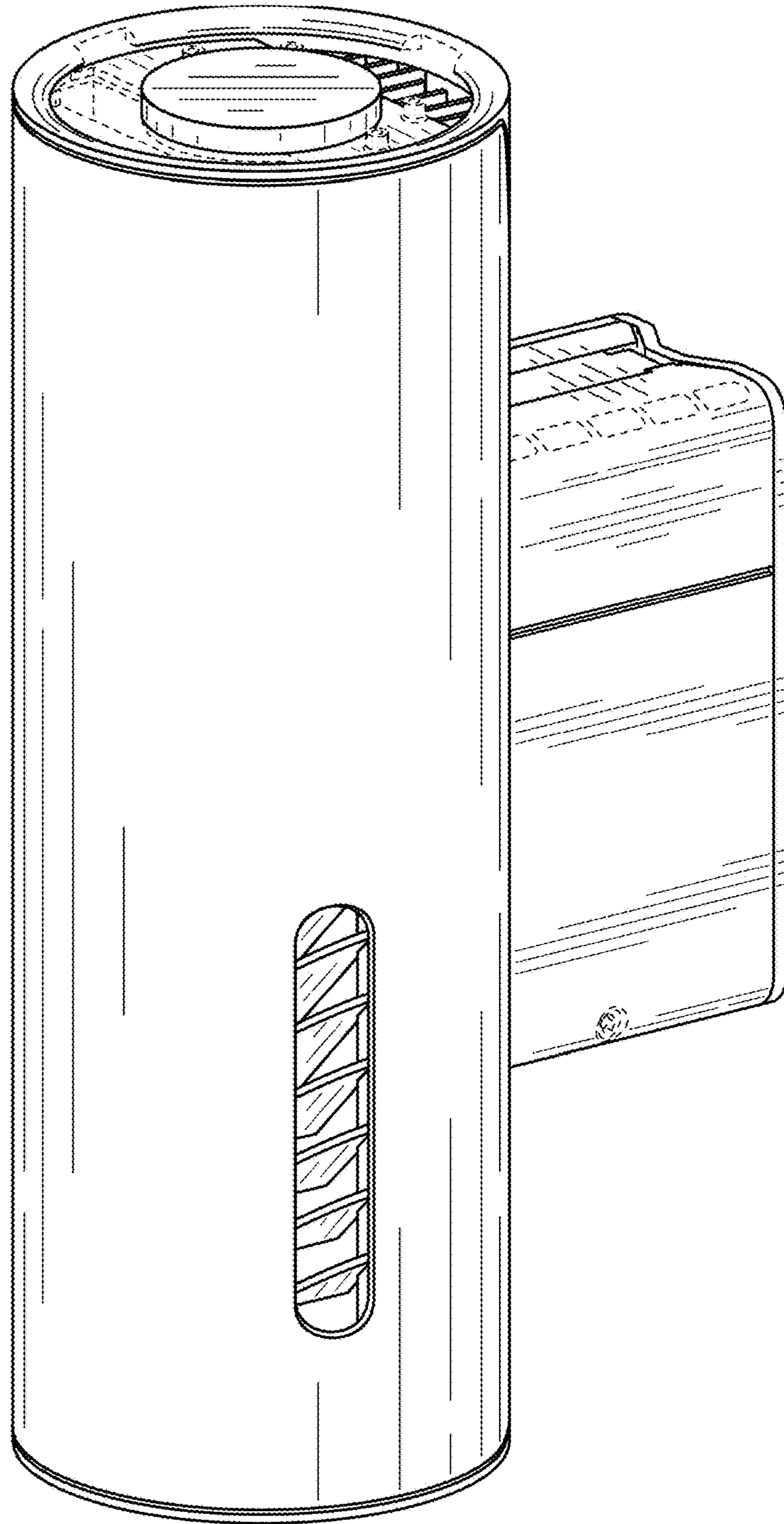


FIG. 1

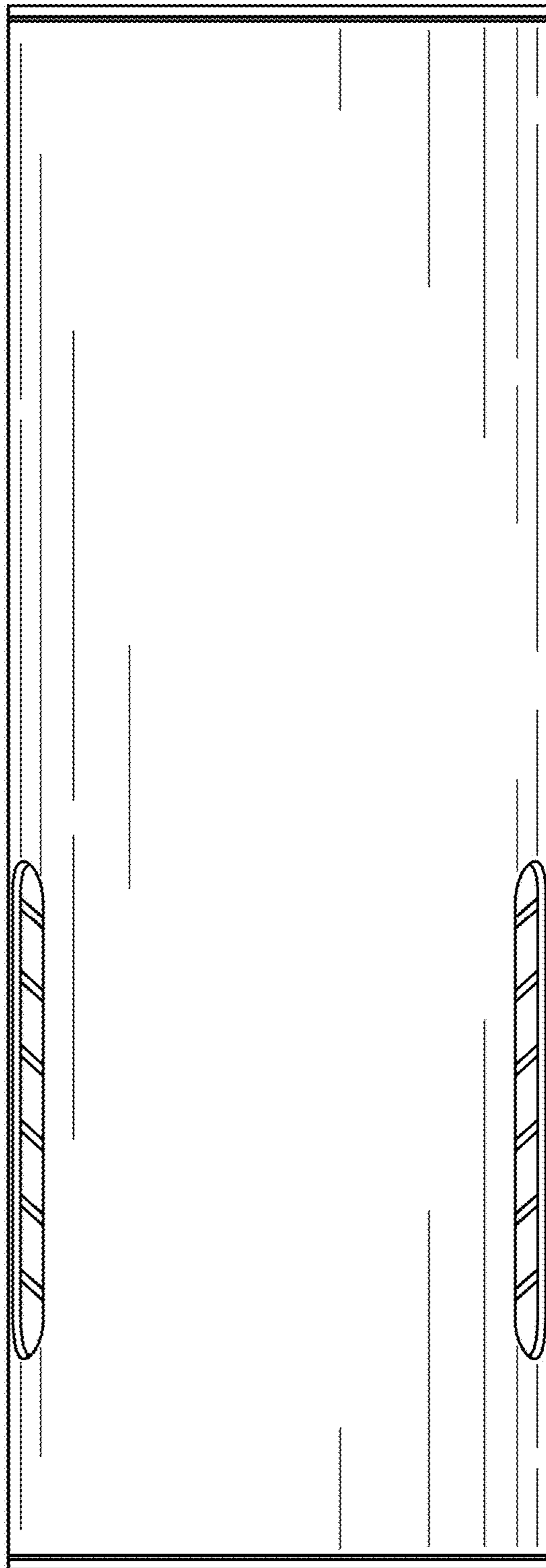


FIG. 2

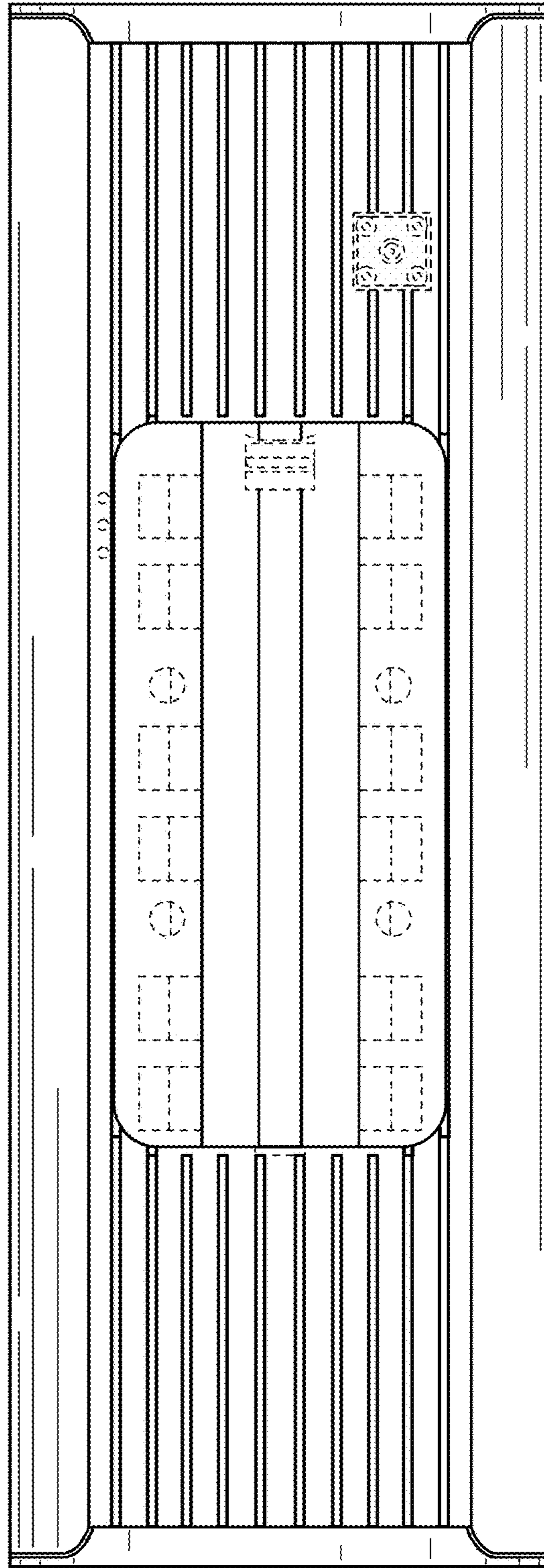


FIG. 3

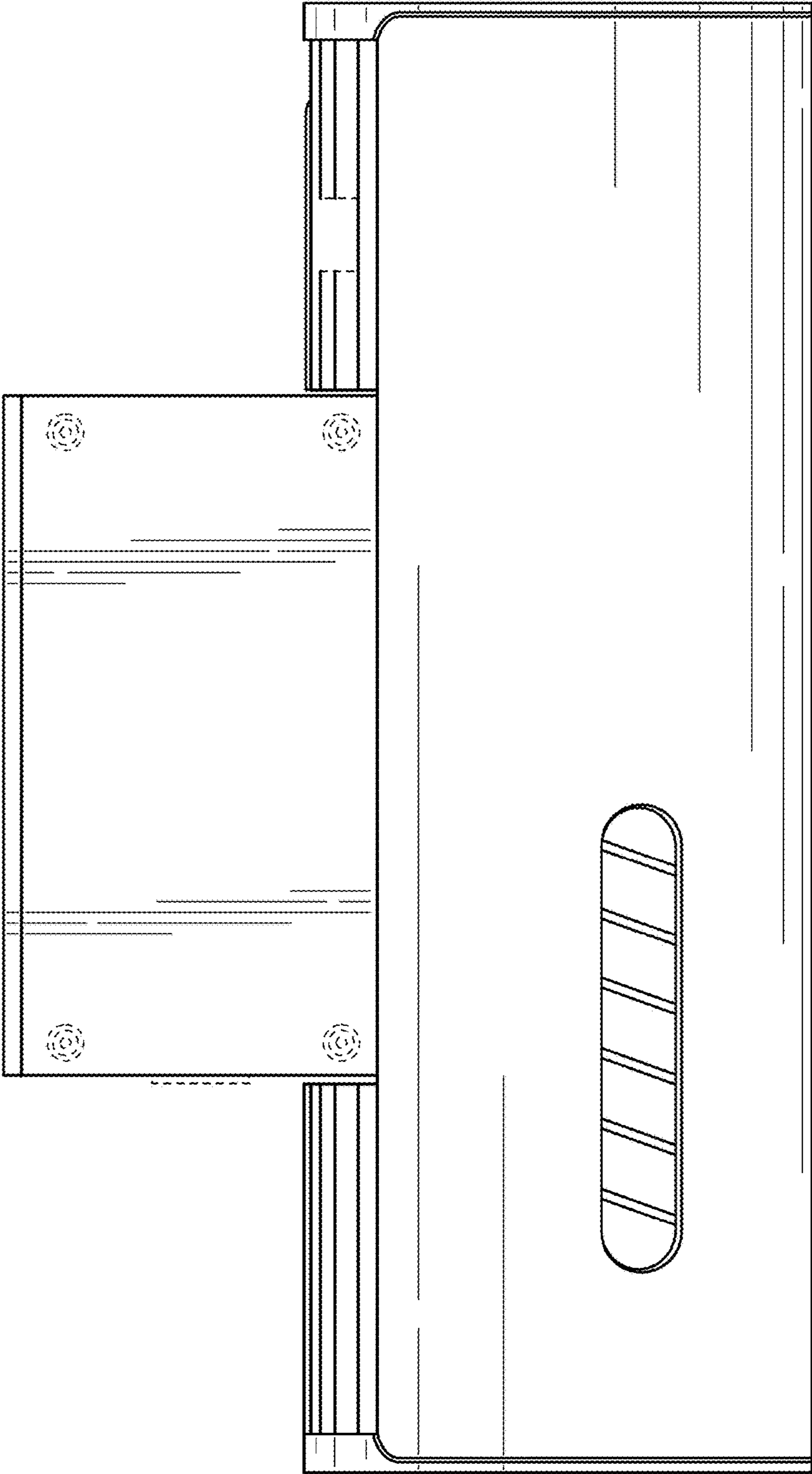


FIG. 4



FIG. 5

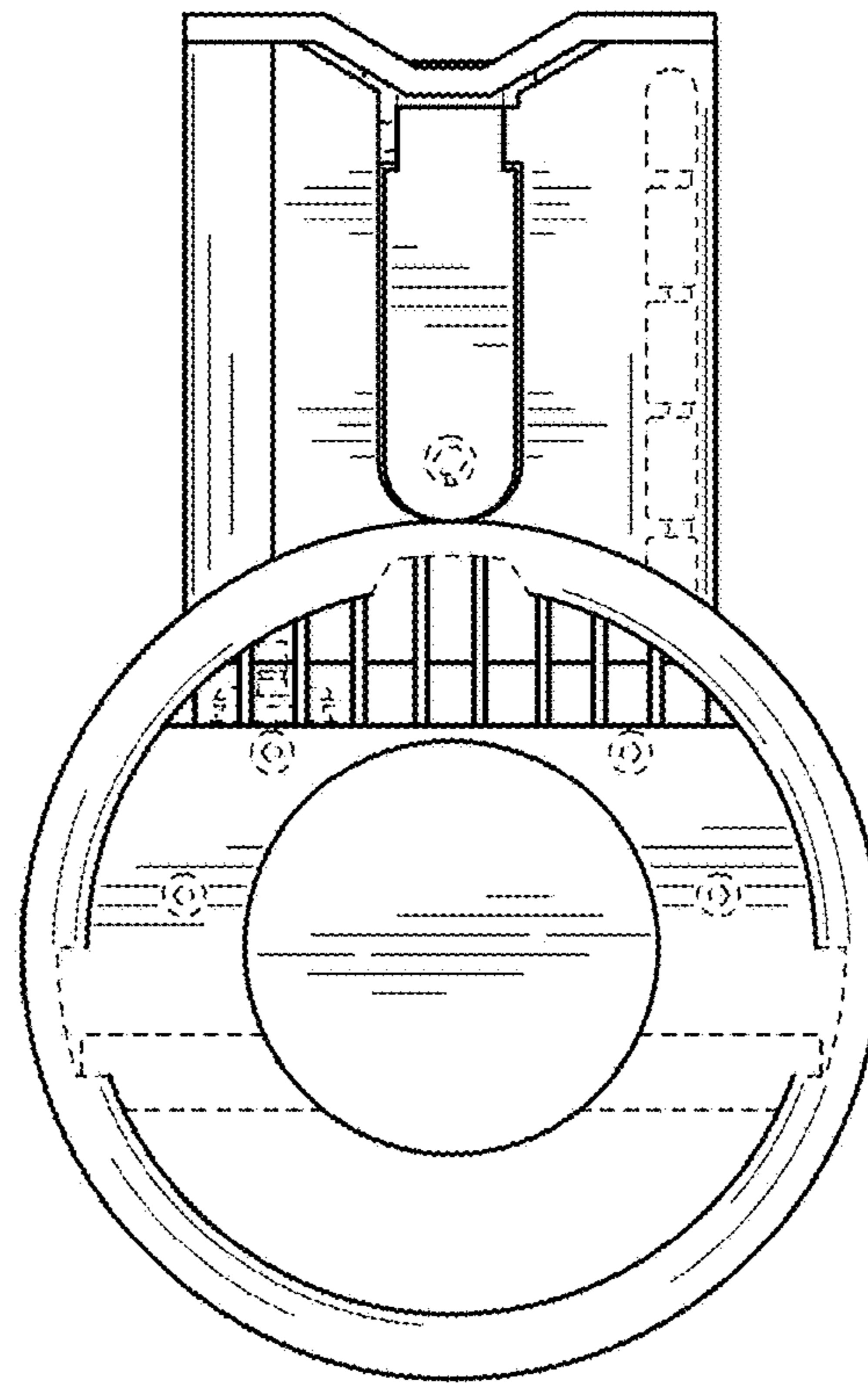


FIG. 6

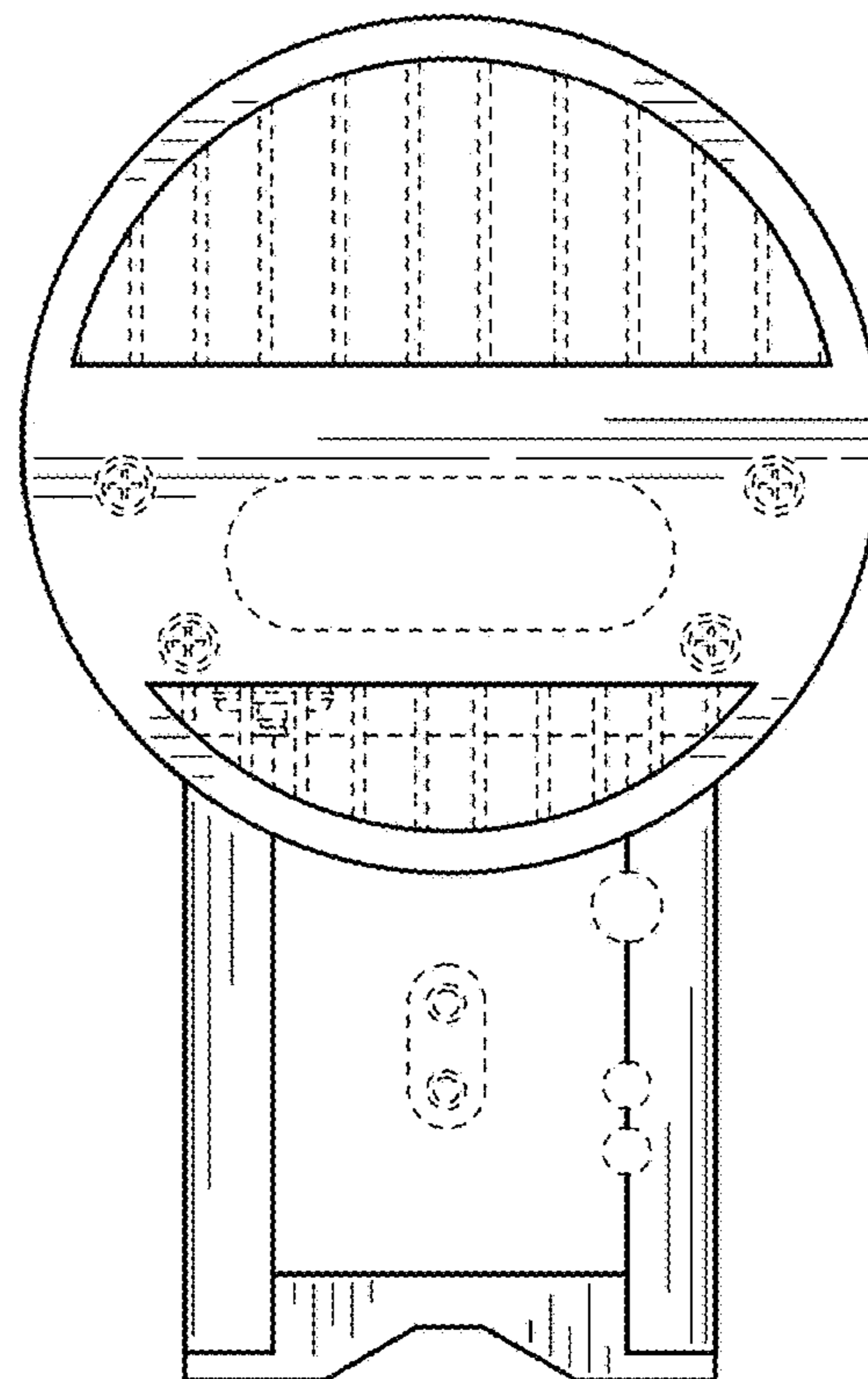


FIG. 7

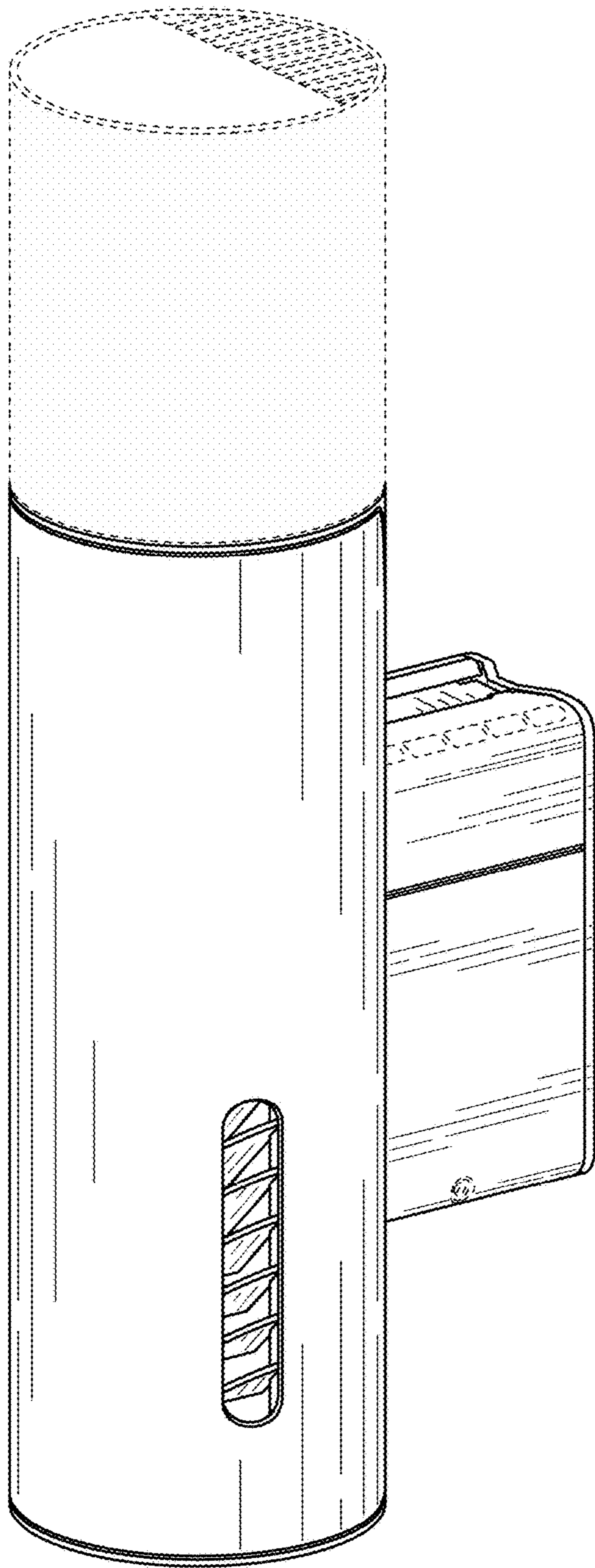


FIG. 8

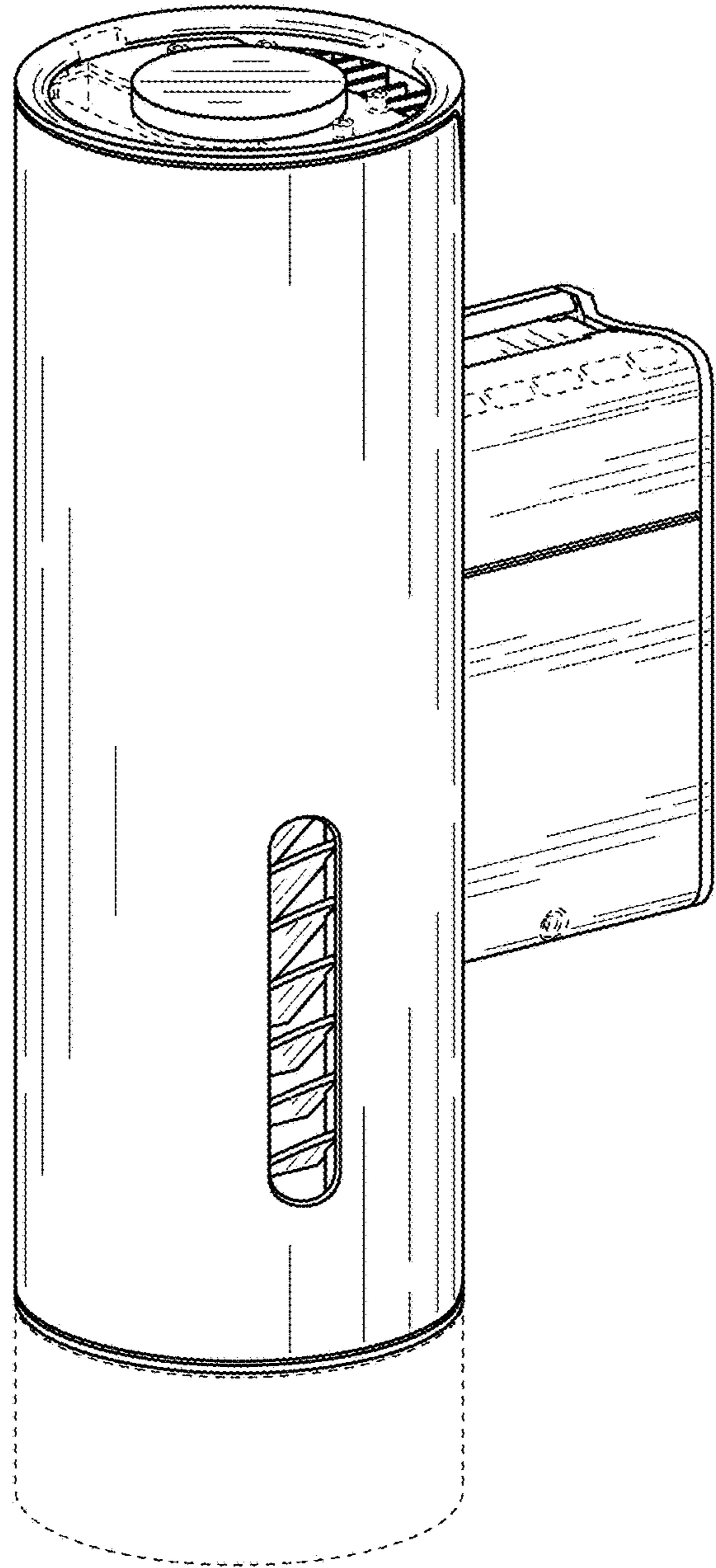


FIG. 9

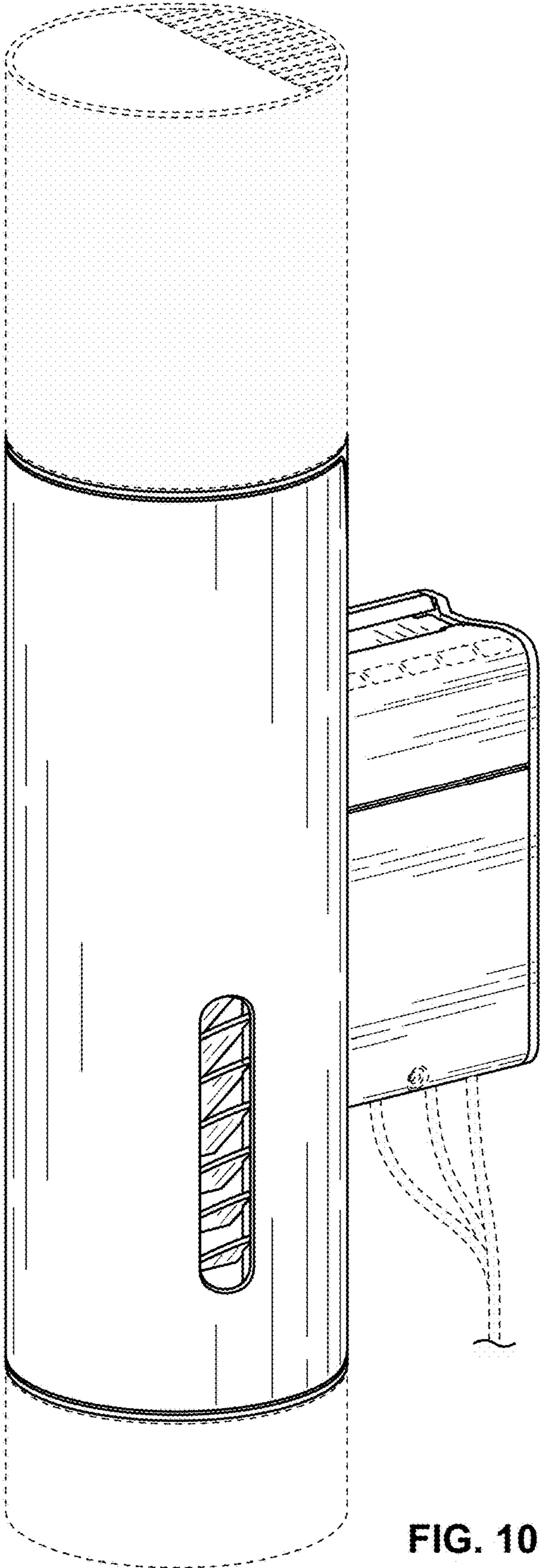


FIG. 10