



US00D844578S

(12) **United States Design Patent** (10) **Patent No.:** **US D844,578 S**
Seflic et al. (45) **Date of Patent:** **** Apr. 2, 2019**

(54) **MEDIA EXTENDER DEVICE**

- (71) Applicant: **Amazon Technologies, Inc.**, Seattle, WA (US)
- (72) Inventors: **Matthew Michael Seflic**, San Jose, CA (US); **Christopher Green**, San Francisco, CA (US); **Marc Rene Walliser**, San Francisco, CA (US)
- (73) Assignee: **Amazon Technologies, Inc.**, Seattle, WA (US)
- (**) Term: **15 Years**
- (21) Appl. No.: **29/608,237**
- (22) Filed: **Jun. 20, 2017**

Related U.S. Application Data

- (63) Continuation-in-part of application No. 29/572,562, filed on Jul. 28, 2016.
- (51) **LOC (11) Cl.** **14-03**
- (52) **U.S. Cl.**
USPC **D14/125**; D14/496; D14/358
- (58) **Field of Classification Search**
USPC D14/356, 357, 358, 361, 362, 365, 367, D14/370, 388, 389, 432, 434, 216, 217, D14/218, 240, 242, 299, 125, 129, 130, D14/140, 155, 168, 188, 496, 474, 483, D14/484, 203.1, 203.3, 203.6, 238.1, 167; D13/103, 107, 108, 123, 152, 162, 162.1, D13/163, 168, 184, 199; D10/104.1, D10/106.6, 116.1, 61, 64, 75
CPC ... H04W 88/08; H04W 88/085; H04W 88/00; H04W 88/005; H04W 88/02; H04W 88/12; H04W 88/14; H04W 88/16; H04W 88/18; H04W 4/00; H01Q 1/02; H01Q 1/2291; H01Q 1/246; H04B 1/38
See application file for complete search history.

(56) **References Cited**

U.S. PATENT DOCUMENTS

D194,604 S *	2/1963	Caldwell	D14/496
D227,014 S *	5/1973	Ardolino	D14/140.8
D262,626 S *	1/1982	Genaro	D14/149
D270,531 S *	9/1983	Ekuan	D14/217
D304,823 S *	11/1989	Pfeifer	D14/353

(Continued)

OTHER PUBLICATIONS

The Indian Office Action dated Dec. 5, 2017 for Indian design application No. 299306, a counterpart foreign application of U.S. Appl. No. 29/608,237, 11 pages.

Primary Examiner — Marie D. Fast Horse
(74) *Attorney, Agent, or Firm* — Lee & Hayes, P.C.

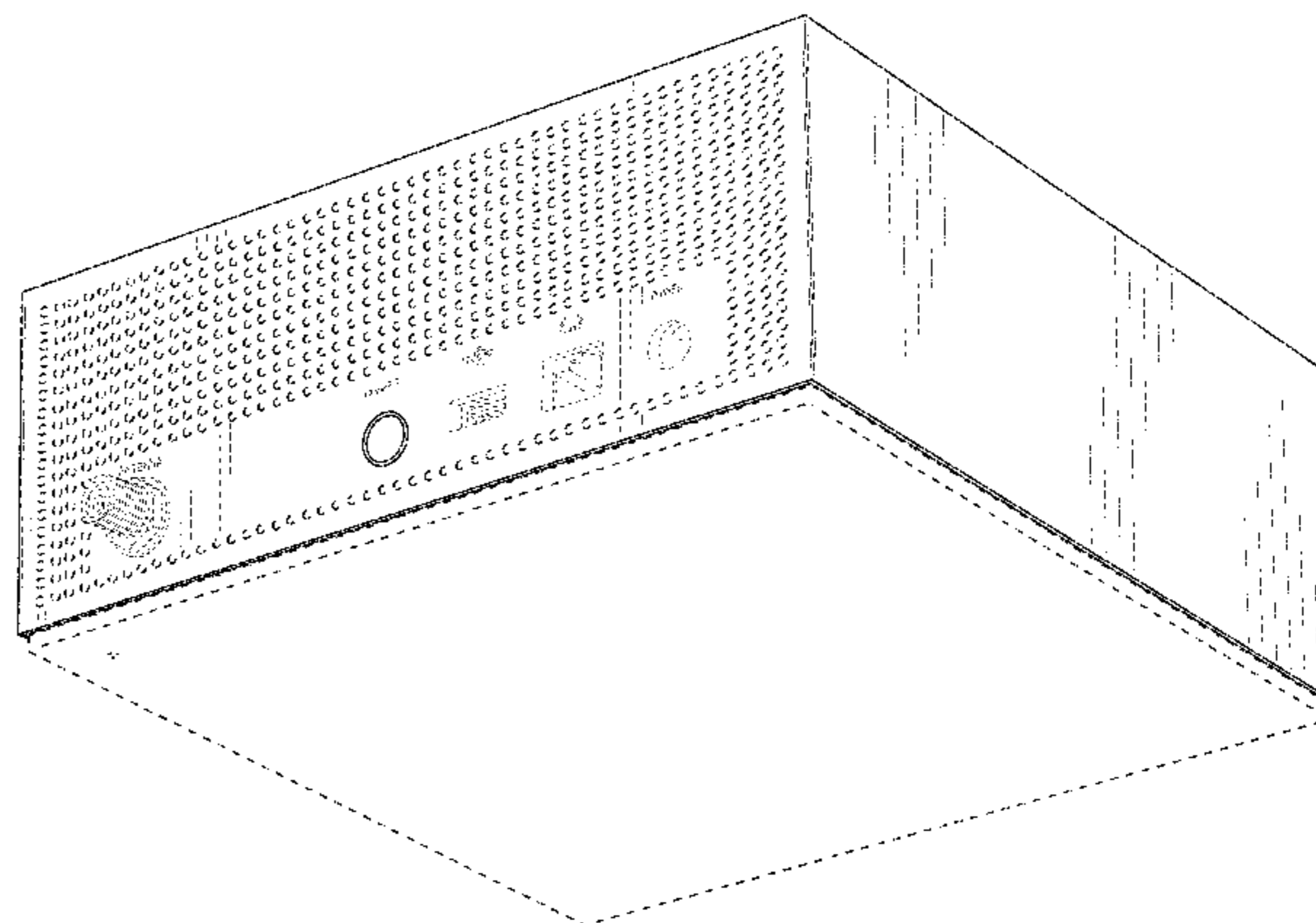
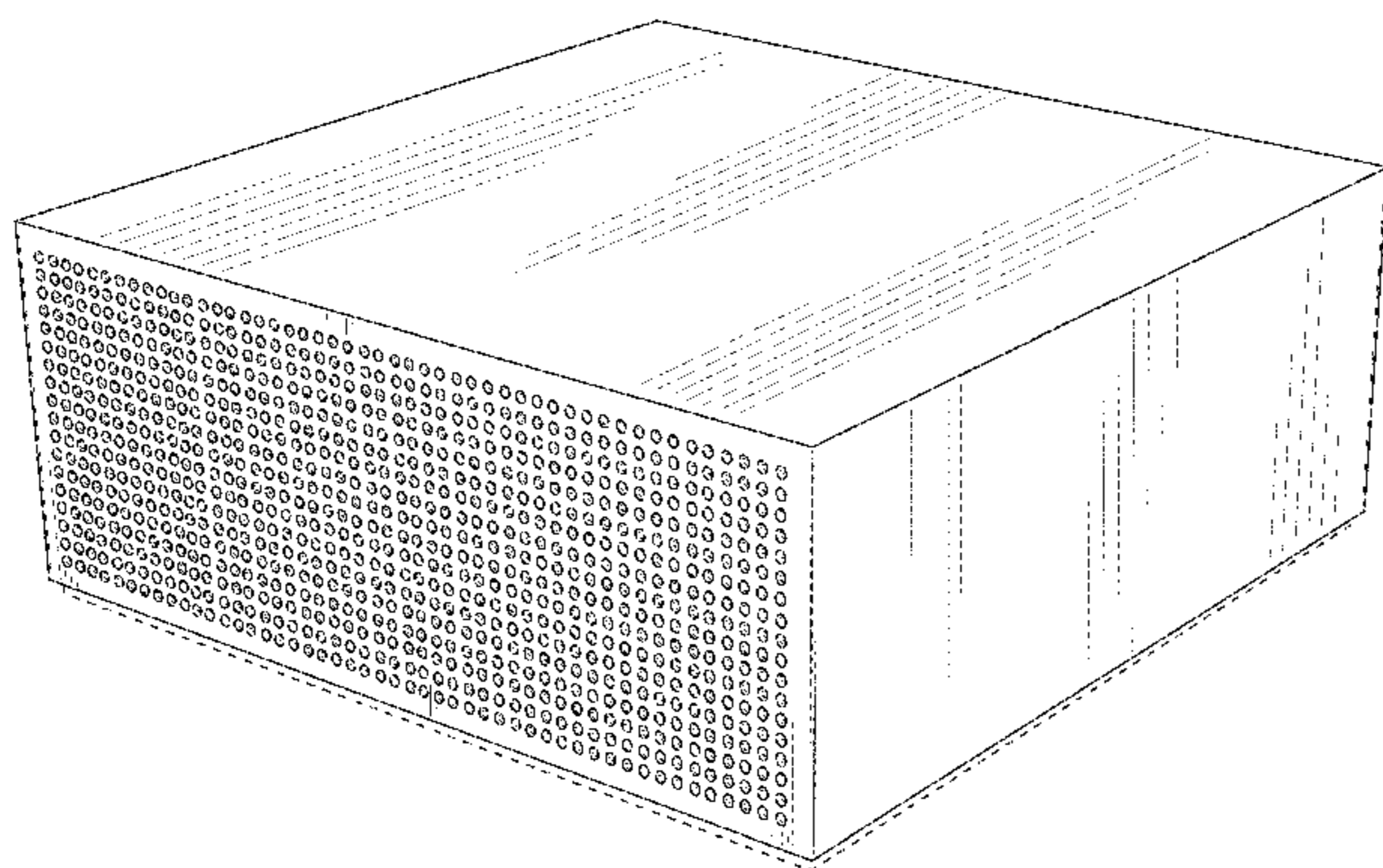
(57) **CLAIM**

The ornamental design for a media extender device, as shown and described.

DESCRIPTION

FIG. 1 is a top perspective view of a media extender device. FIG. 2 is a bottom perspective view of the media extender device. FIG. 3 is a front view of the media extender device of FIG. 1. FIG. 4 is a back view of the media extender device of FIG. 1. FIG. 5 is a left-side view of the media extender device of FIG. 1. FIG. 6 is a right-side view of the media extender device of FIG. 1. FIG. 7 is a top view of the media extender device of FIG. 1; and, FIG. 8 is a bottom view of the media extender device of FIG. 1. The broken lines depict portions of the media extender device which form no part of the claimed design.

1 Claim, 8 Drawing Sheets



(56)

References Cited

U.S. PATENT DOCUMENTS

D310,998 S *	10/1990	Lee	D14/434	D672,734 S *	12/2012	Chou	D14/125
D315,722 S *	3/1991	Imamura	D14/355	D675,173 S *	1/2013	Paradise	D14/125
D320,007 S *	9/1991	Leverault	D14/353	D676,005 S *	2/2013	Wood	D14/125
D323,818 S *	2/1992	Willis	D14/353	D686,595 S *	7/2013	Andre	D14/217
D336,748 S *	6/1993	Luhrs	D14/299	D687,068 S *	7/2013	Paradise	D14/496
D421,255 S *	2/2000	Hisatsune	D14/125	D689,051 S *	9/2013	Lee	D14/125
D433,393 S *	11/2000	Hisatsune	D14/125	D726,690 S *	4/2015	Andre	D14/217
D470,119 S *	2/2003	Ota	D14/167	D728,539 S *	5/2015	Dubrulle	D14/240
D473,200 S *	4/2003	Isshiki	D14/499	D737,827 S *	9/2015	Tseng	D14/440
D487,888 S *	3/2004	Henderson	D14/167	D738,755 S *	9/2015	Druce	D10/50
D513,502 S *	1/2006	Isshiki	D14/499	D742,884 S *	11/2015	Seflic	D14/433
D516,055 S *	2/2006	Chen	D14/188	D744,483 S *	12/2015	Barbu	D14/358
D525,266 S *	7/2006	Smith	D14/496	D755,735 S *	5/2016	Kashimoto	D13/168
D526,648 S *	8/2006	Andre	D14/314	D757,710 S *	5/2016	Donachy	D14/314
D533,177 S *	12/2006	Andre	D14/314	D762,648 S *	8/2016	Akana	D14/434
D537,817 S *	3/2007	Andre	D14/314	D762,649 S *	8/2016	Akana	D14/434
D542,288 S *	5/2007	Andre	D14/314	D762,650 S *	8/2016	Dang	D14/434
D563,994 S *	3/2008	Liu	D14/496	D763,205 S *	8/2016	Kashimoto	D13/168
D568,337 S *	5/2008	An	D14/496	D763,262 S *	8/2016	Hallar	D14/434
D584,728 S *	1/2009	Park	D14/355	D768,607 S *	10/2016	Altonen	D14/240
D592,663 S *	5/2009	Ohno	D14/364	D780,137 S *	2/2017	Tallqvist	D14/125
D596,621 S *	7/2009	Andre	D14/217	D781,794 S *	3/2017	Gargani	D14/125
D596,626 S *	7/2009	Andre	D14/240	D783,619 S *	4/2017	Couture	D14/433
D597,087 S *	7/2009	Herbst	D14/240	D791,297 S *	7/2017	Ljungstrom	D23/364
D601,583 S *	10/2009	Andre	D14/496	D793,888 S *	8/2017	Hasegawa	D10/106.95
D606,523 S *	12/2009	Herbst	D14/240	D796,461 S *	9/2017	Ruppert	D14/125
D620,953 S *	8/2010	Andre	D14/496	D807,841 S *	1/2018	Lee	D14/125
D648,707 S *	11/2011	Akana	D14/217	D810,044 S *	2/2018	Ohmachi	D14/188
D649,541 S *	11/2011	Morenstein	D14/314	D820,798 S *	6/2018	Yurusov	D14/125
D671,925 S *	12/2012	Tsuda	D14/240	D824,351 S *	7/2018	Kim	D14/125
				D826,334 S *	8/2018	Christie	D21/332
				D826,336 S *	8/2018	Christie	D21/332

* cited by examiner

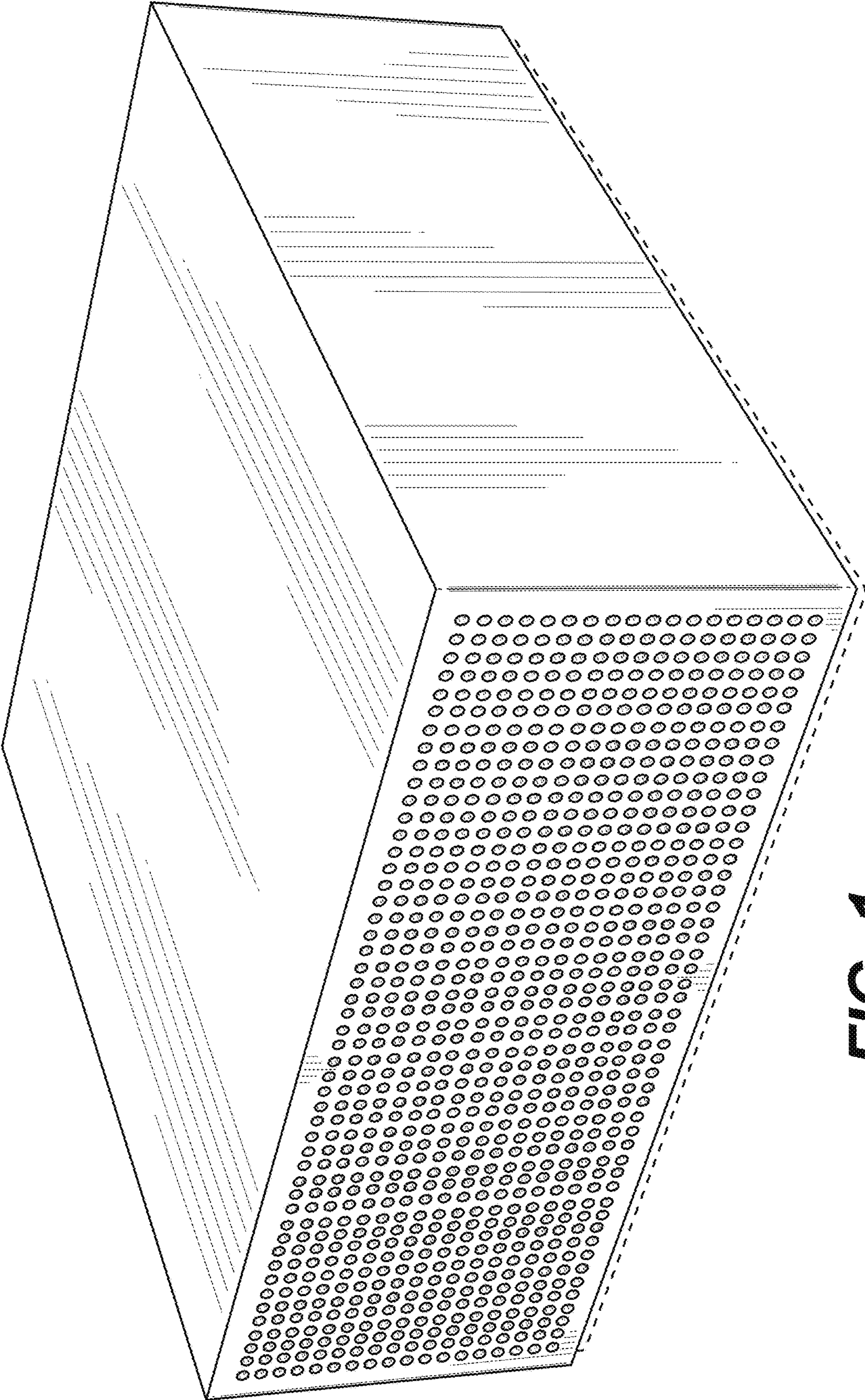
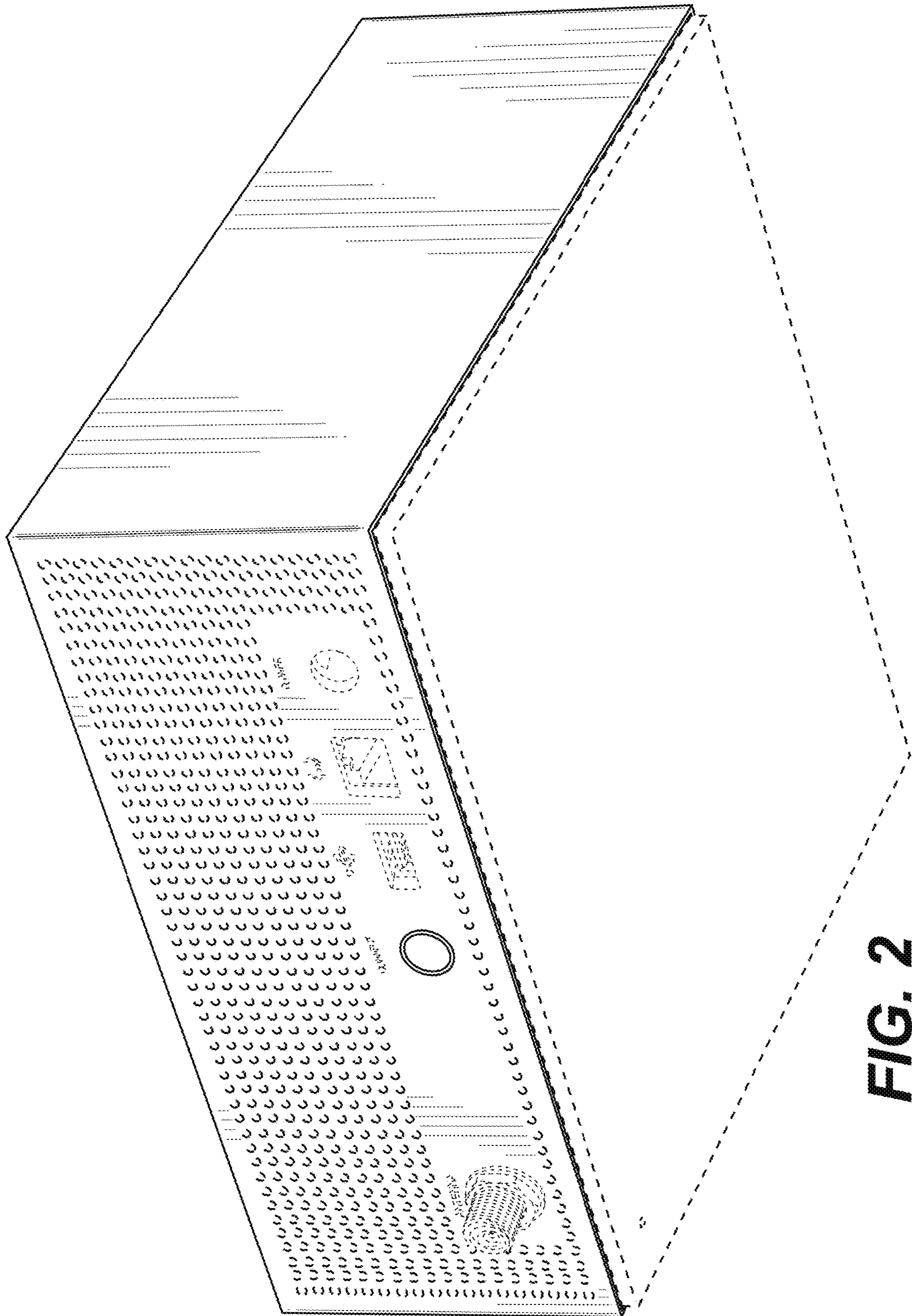


FIG. 1



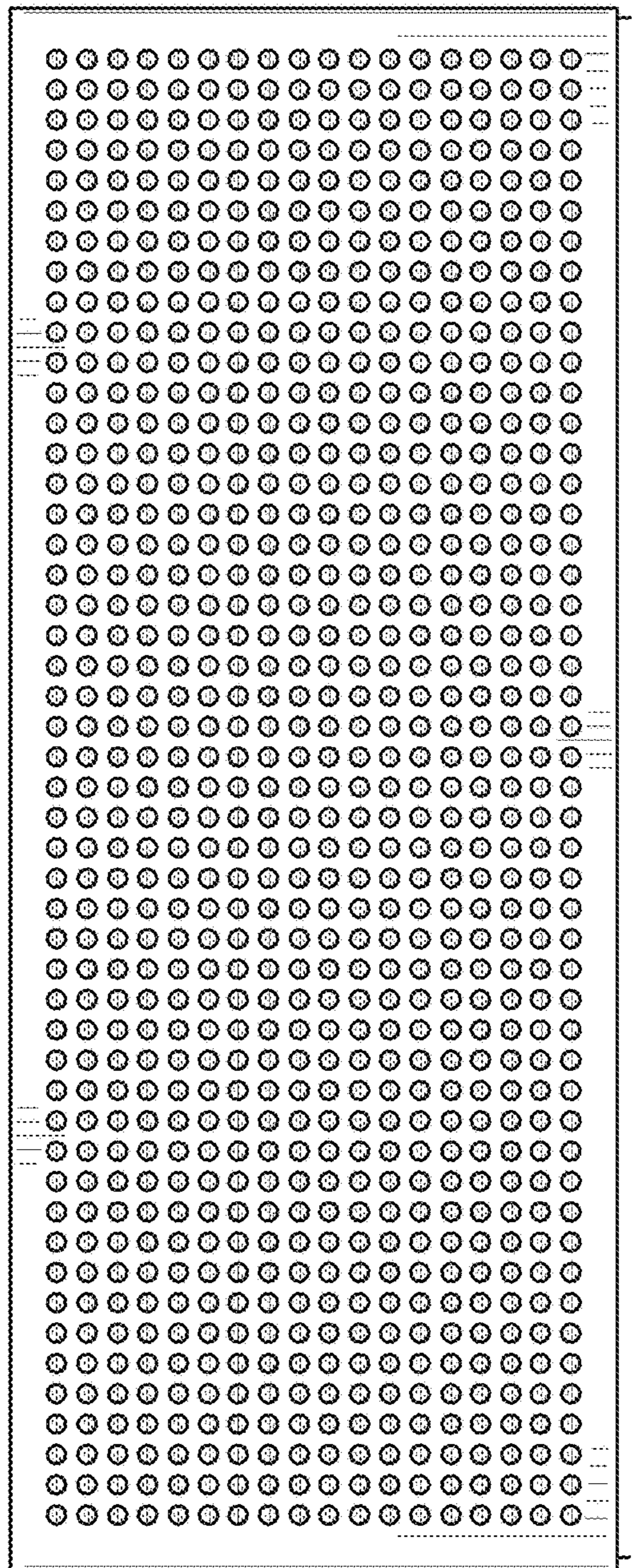


FIG. 3

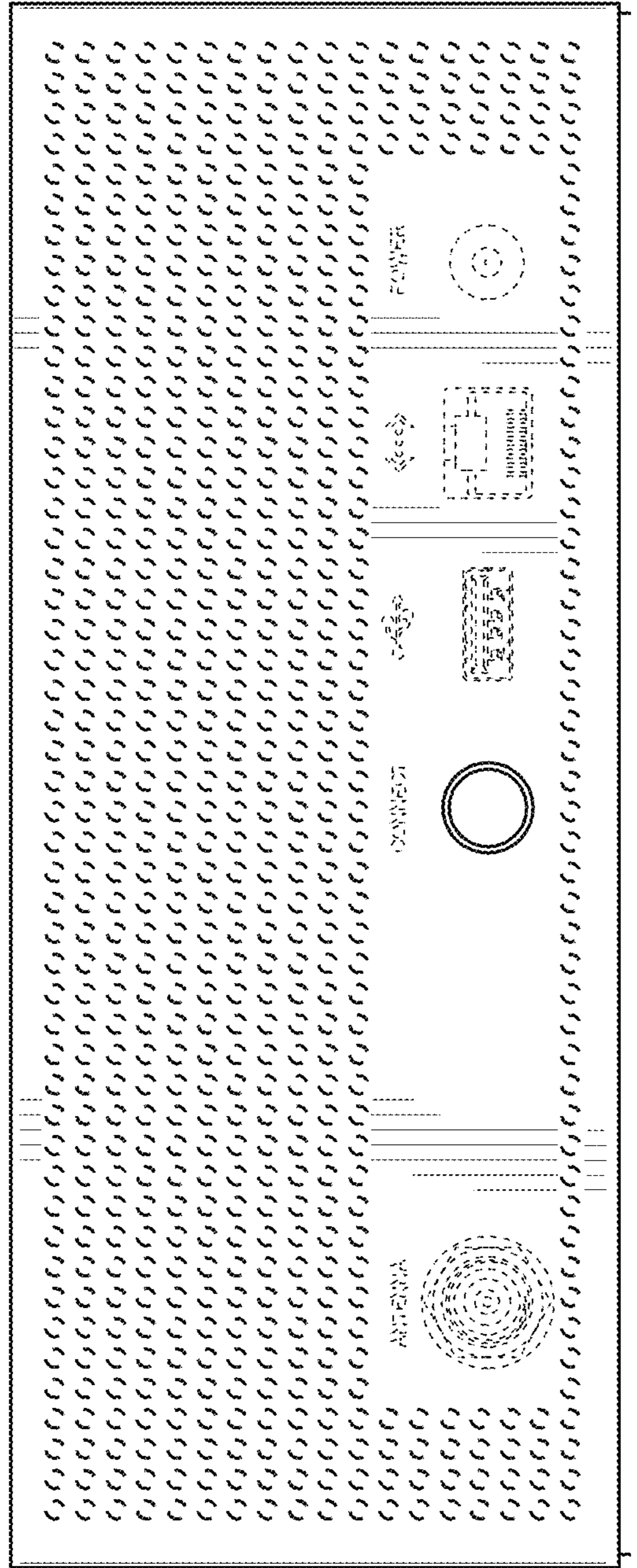


FIG. 4

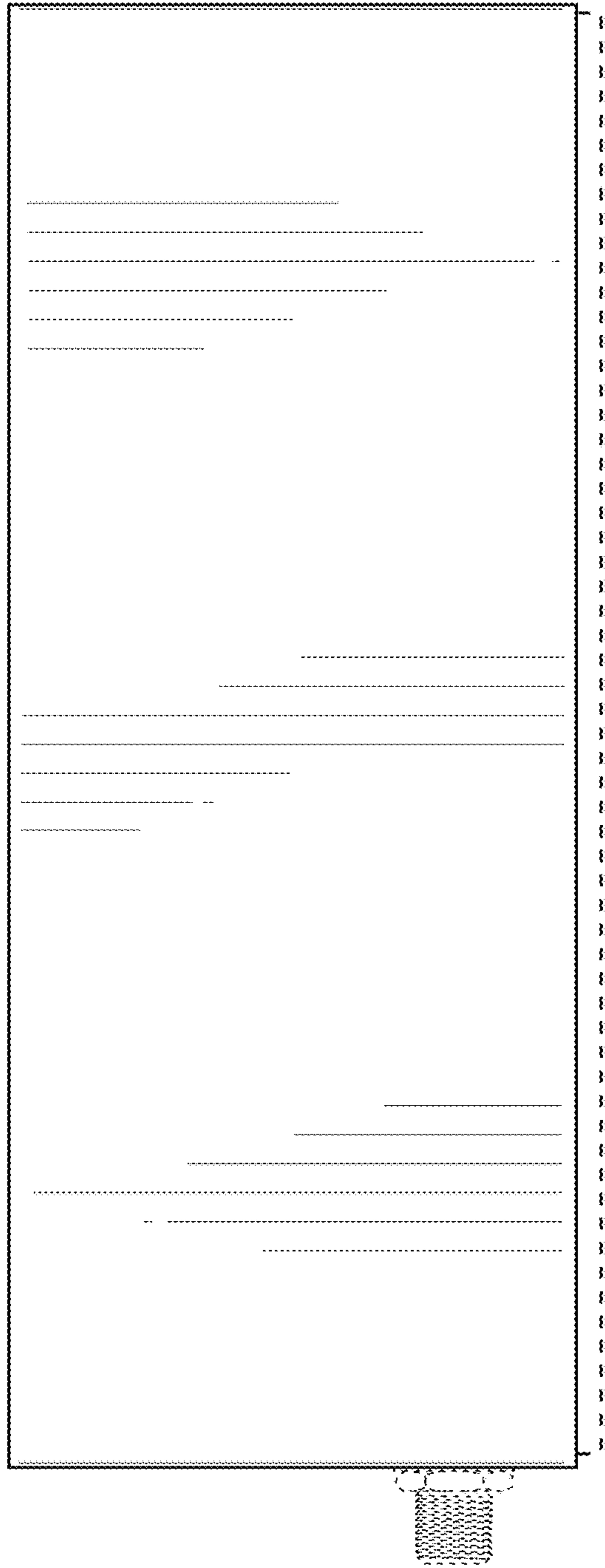


FIG. 5

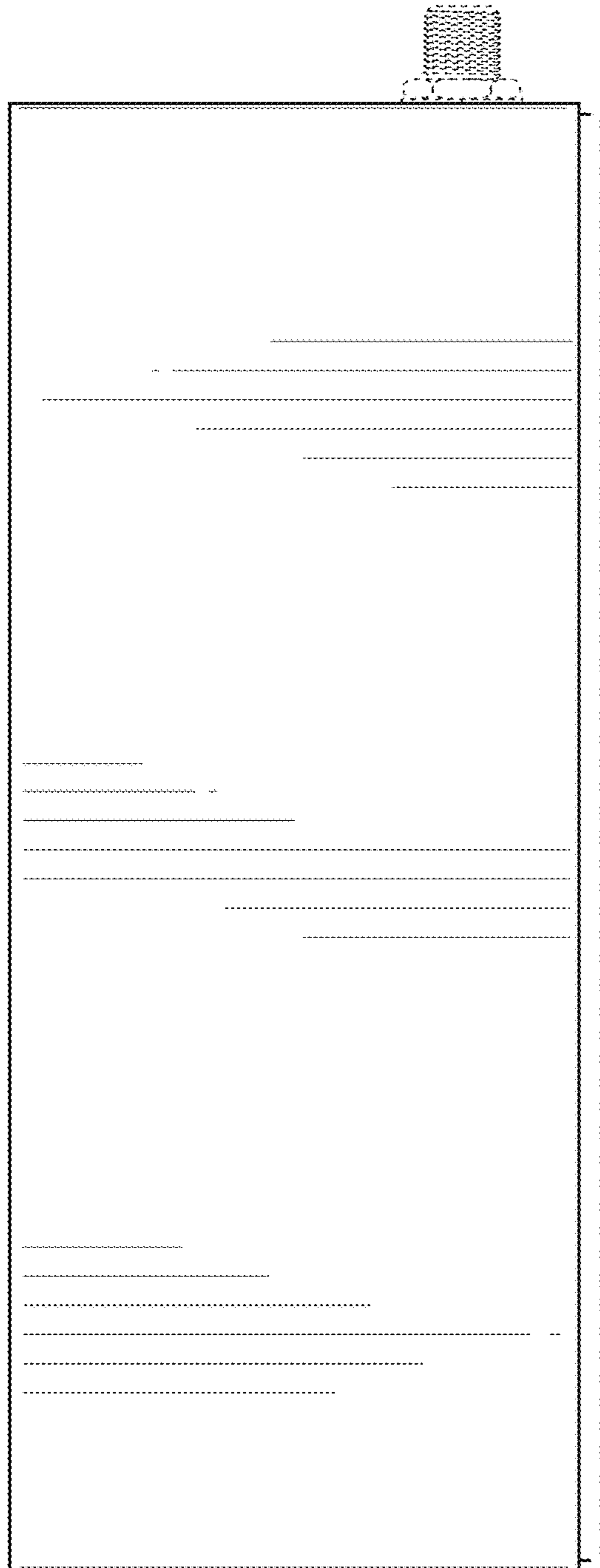


FIG. 6

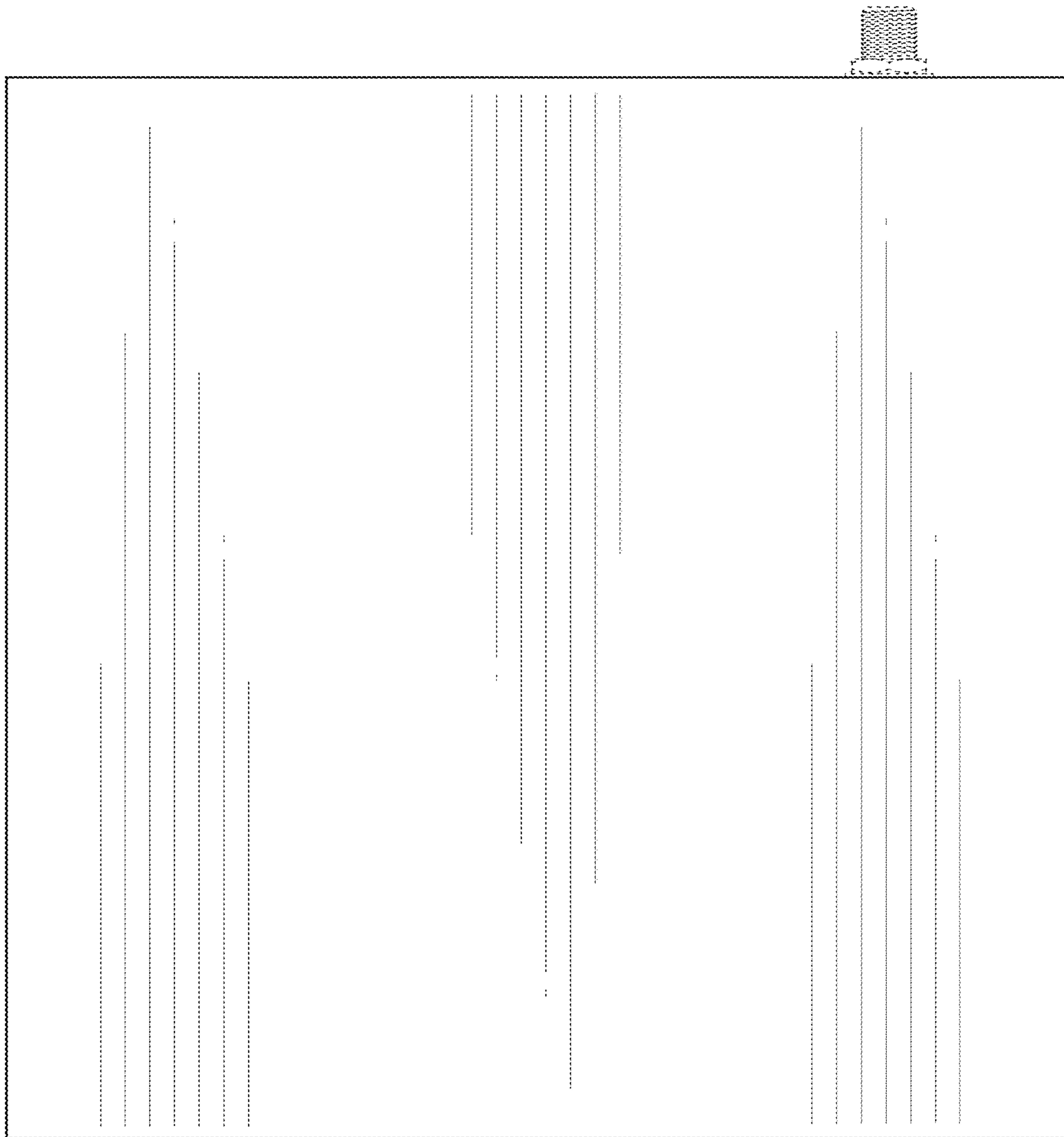


FIG. 7

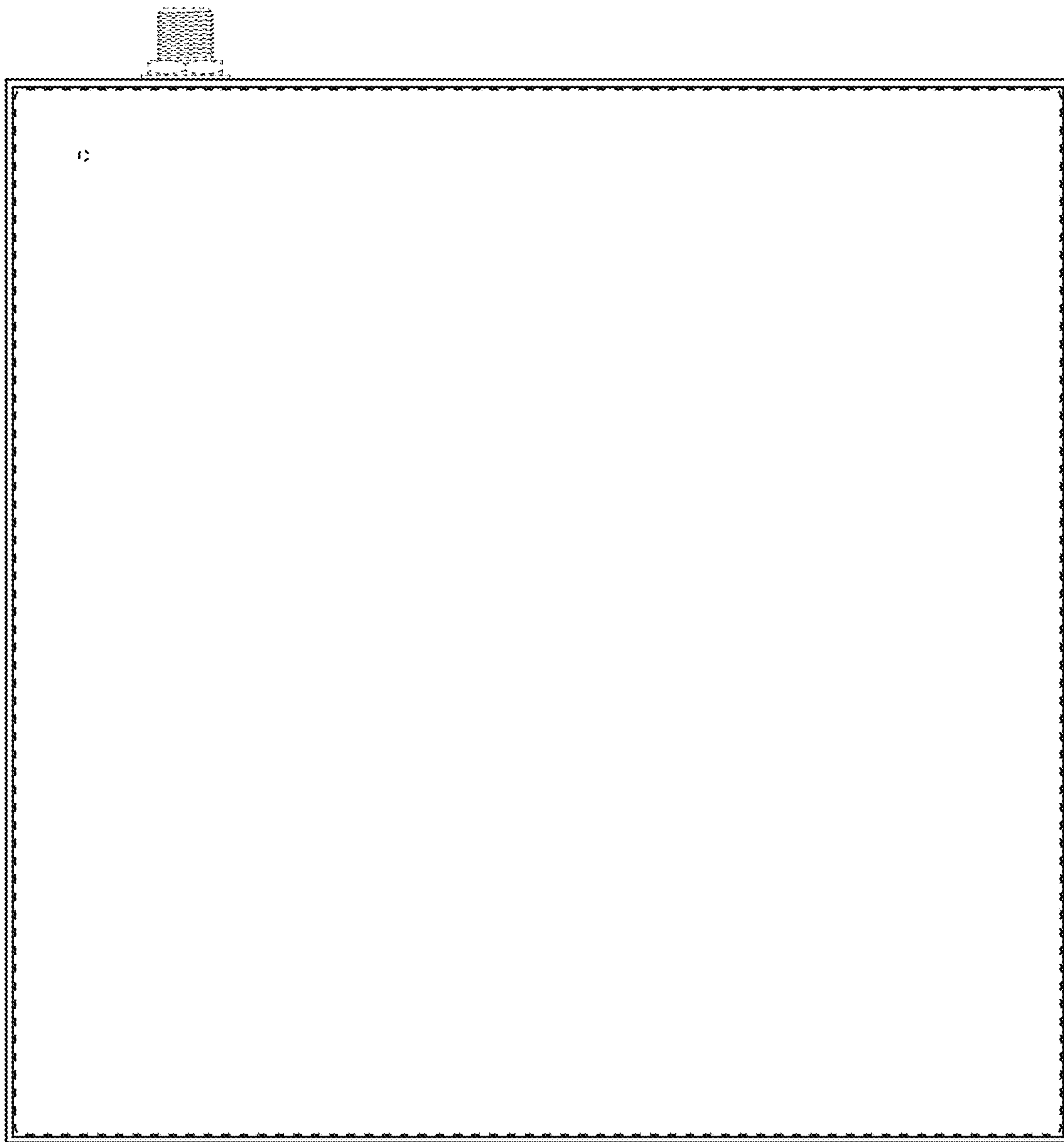


FIG. 8