



US00D844572S

(12) **United States Design Patent** (10) **Patent No.:** **US D844,572 S**  
**Hoffknecht et al.** (45) **Date of Patent:** **\*\* Apr. 2, 2019**

- (54) **WIRELESS CONTROL MODULE**
- (71) Applicants: **Marc Hoffknecht**, Newmarket (CA);  
**Darko Stjepanovic**, Toronto (CA)
- (72) Inventors: **Marc Hoffknecht**, Newmarket (CA);  
**Darko Stjepanovic**, Toronto (CA)
- (73) Assignee: **OSRAM SYLVANIA Inc.**, Wilmington,  
MA (US)
- (\*\*) Term: **15 Years**
- (21) Appl. No.: **29/640,535**
- (22) Filed: **Mar. 15, 2018**

**Related U.S. Application Data**

- (62) Division of application No. 29/613,793, filed on Aug. 14, 2017, which is a division of application No. 29/525,165, filed on Apr. 27, 2015, now Pat. No. Des. 794,577.
- (51) **LOC (11) Cl.** ..... **13-03**
- (52) **U.S. Cl.**  
USPC ..... **D13/162; D14/358**
- (58) **Field of Classification Search**  
USPC ..... D14/356-358, 388, 496, 137, 140, 155,  
D14/225, 226, 230, 240, 242, 243, 299,  
D14/300; D13/162, 162.1, 164, 168,  
D13/171-174, 184, 199; D10/46, 104.1,  
D10/106.1, 106.2, 106.3, 106.6, 106.9;  
D26/113, 118  
CPC ..... H05B 33/0833; H05B 33/0839; H05B  
33/0842; H05B 33/0884; H05B 33/0845;  
H05B 33/086; H05B 33/0863; H05B  
33/0896; H05B 37/02; H05B 37/0272;  
H05B 37/0227

See application file for complete search history.

- (56) **References Cited**
- U.S. PATENT DOCUMENTS
- D71,165 S \* 9/1926 Suren ..... D10/102
- D304,944 S \* 12/1989 Behringer ..... D14/188
- D308,647 S \* 6/1990 Mayo ..... D10/104.1
- D310,064 S \* 8/1990 Cheng ..... D13/151
- D310,065 S \* 8/1990 Cheng ..... D13/134
- 5,214,354 A \* 5/1993 Johnson ..... H01K 1/46  
315/208
- D338,206 S \* 8/1993 Sawaguchi ..... D14/230
- D346,151 S \* 4/1994 Zaugg ..... D13/158
- (Continued)

**OTHER PUBLICATIONS**

OSRAM-ZBHA-CLM-DIM Connected lighting Module. lightingindia.in. (online Image) 1 pg. [retrieved on Oct. 5, 2016] <http://www.lightingindia.in/uploads/2255/09%20%20%20Osram%20Sylvania.jpg>.\*

(Continued)

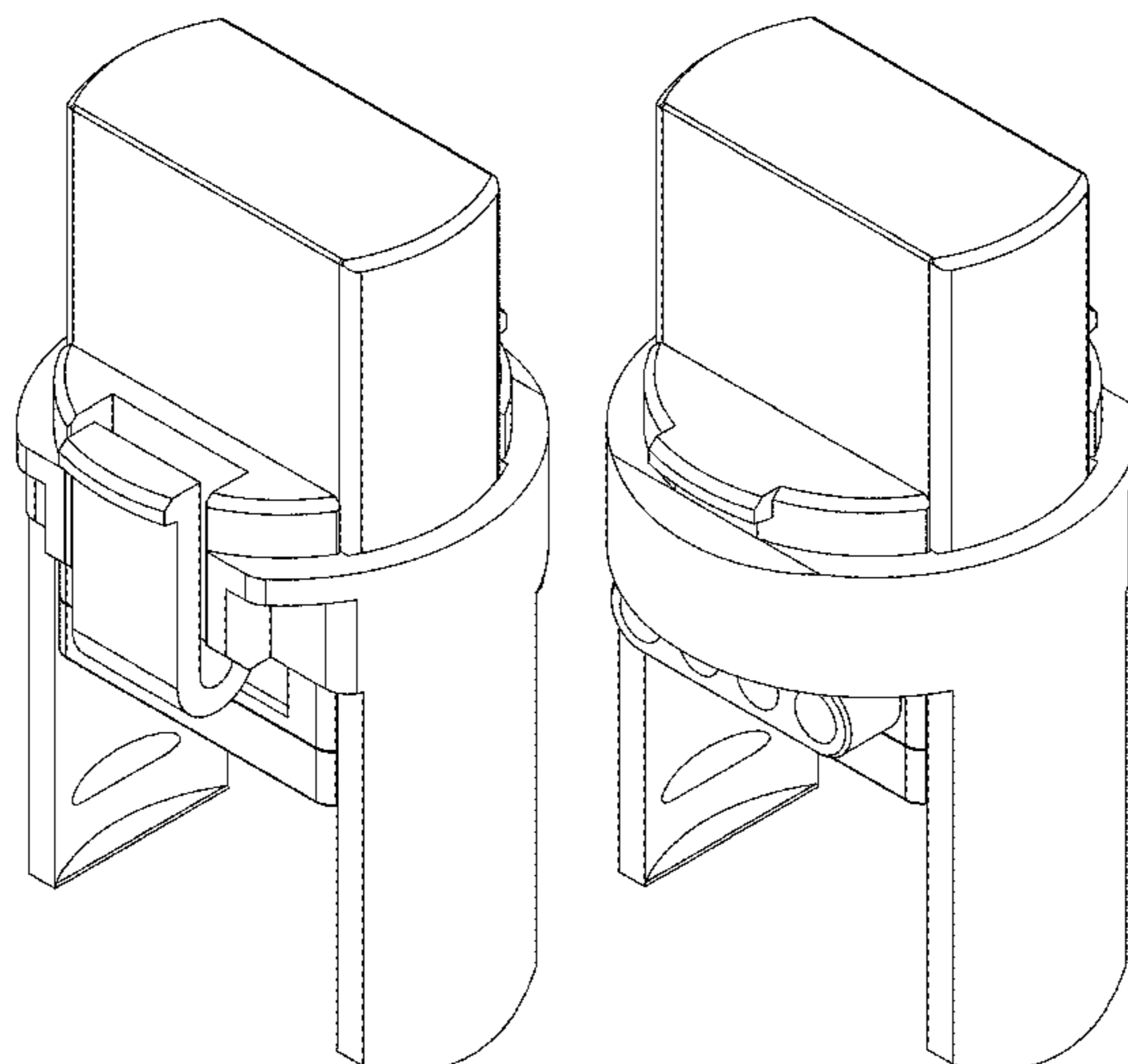
*Primary Examiner* — Marie D. Fast Horse  
(74) *Attorney, Agent, or Firm* — Shaun P. Montana

- (57) **CLAIM**  
The ornamental design for a wireless control module, as shown and described.

**DESCRIPTION**

FIG. 1 is a perspective view of a wireless control module showing our new design;  
FIG. 2 is another perspective view thereof;  
FIG. 3 is a front view thereof;  
FIG. 4 is a back view thereof;  
FIG. 5 is a right side view thereof;  
FIG. 6 is a left side view thereof;  
FIG. 7 is a top view thereof;  
FIG. 8 is a bottom view thereof; and,  
FIG. 9 is another perspective view thereof, shown within its environment.  
The broken lines in the drawings depict environmental subject matter only and form no part of the claimed design.

**1 Claim, 8 Drawing Sheets**



(56)

References Cited

U.S. PATENT DOCUMENTS

D354,730 S \* 1/1995 Collins ..... D13/125  
 D362,841 S \* 10/1995 Roza ..... D13/171  
 D374,187 S \* 10/1996 Phelps ..... D10/104.1  
 D399,154 S \* 10/1998 Proctor ..... D10/104.1  
 D432,998 S \* 10/2000 Decosse ..... D13/174  
 D441,346 S \* 5/2001 Bonn ..... D13/174  
 D445,407 S \* 7/2001 Bonn ..... D13/174  
 6,396,040 B1 \* 5/2002 Hill ..... B60Q 1/1423  
 250/205  
 D506,404 S \* 6/2005 Kaczmarek ..... D10/104.1  
 D555,605 S \* 11/2007 Parnell ..... D13/171  
 D559,797 S \* 1/2008 Neveu ..... D13/174  
 D561,707 S \* 2/2008 Neveu ..... D13/174  
 7,333,903 B2 \* 2/2008 Walters ..... G06Q 30/04  
 315/119  
 D593,510 S \* 6/2009 Chen ..... D13/171  
 D600,642 S \* 9/2009 Biery ..... D13/134  
 D602,388 S \* 10/2009 Killo ..... D10/106.1  
 7,637,766 B2 \* 12/2009 Kauffman ..... G01J 1/02  
 439/337  
 D610,990 S \* 3/2010 Biery ..... D13/134  
 D625,638 S \* 10/2010 Lodi ..... D10/106.9  
 D626,963 S \* 11/2010 Kim ..... D14/420  
 D631,770 S \* 2/2011 Killo ..... D10/106.5  
 D635,476 S \* 4/2011 Killo  
 8,038,481 B1 \* 10/2011 Creighton ..... H01R 33/9456  
 439/660  
 D662,065 S \* 6/2012 Cook ..... D13/168  
 D665,290 S \* 8/2012 Bhate ..... D10/106.6  
 D682,131 S \* 5/2013 Bhate ..... D10/106.6  
 D685,790 S \* 7/2013 Tang ..... D14/218  
 D687,328 S \* 8/2013 Clymer ..... D10/104.1  
 D690,668 S \* 10/2013 Jacoby ..... D13/174  
 D692,171 S \* 10/2013 Randolph ..... D26/67  
 D692,898 S \* 11/2013 Luijben ..... D14/447  
 D704,177 S \* 5/2014 Chun ..... D14/240  
 D704,178 S \* 5/2014 Kwak ..... D14/240  
 D714,742 S \* 10/2014 Chambers ..... D13/174  
 8,853,950 B1 \* 10/2014 Chang ..... H05B 37/02  
 315/127  
 D720,305 S \* 12/2014 Wenji ..... D13/174  
 D722,981 S \* 2/2015 Livschitz ..... D13/162  
 D724,583 S \* 3/2015 Ge ..... D14/356  
 D725,088 S \* 3/2015 Kwak ..... D14/240  
 D730,349 S \* 5/2015 Burmeister-Brown ..... D14/240  
 D739,359 S \* 9/2015 Creasman ..... D13/165  
 D739,361 S \* 9/2015 Wenji ..... D13/171  
 D743,914 S \* 11/2015 Hobson ..... D13/165  
 D750,314 S \* 2/2016 Hobson ..... D26/118  
 9,335,037 B2 \* 5/2016 Peeters ..... F21V 23/008  
 D758,325 S \* 6/2016 Cook ..... D13/168  
 D760,221 S \* 6/2016 Maruyama ..... D14/357  
 9,414,466 B2 \* 8/2016 Dvash ..... H05B 37/0236  
 D778,888 S \* 2/2017 Geiger ..... D14/240  
 D780,128 S \* 2/2017 Bollinger, Jr. .... D13/162.1  
 D780,129 S \* 2/2017 Bollinger, Jr. .... D13/162.1  
 D782,987 S \* 4/2017 Gassner ..... D13/171  
 D788,046 S \* 5/2017 Oksengendler ..... D13/162  
 D788,719 S \* 6/2017 Li ..... D13/171  
 D794,577 S \* 8/2017 Hoffknecht ..... D13/162  
 D794,578 S \* 8/2017 Oksengendler ..... D13/162  
 D799,434 S \* 10/2017 Ott ..... D13/173

D805,040 S \* 12/2017 Oksengendler ..... D13/162  
 D806,042 S \* 12/2017 Oksengendler ..... D13/162  
 D812,024 S \* 3/2018 Lewis ..... D13/184  
 D816,046 S \* 4/2018 Kiong ..... D13/162  
 2004/0212993 A1 \* 10/2004 Morgan ..... F21V 33/004  
 362/231  
 2009/0128262 A1 \* 5/2009 Lee ..... H01Q 7/00  
 333/219.1  
 2010/0244709 A1 \* 9/2010 Steiner ..... G01J 1/02  
 315/158  
 2010/0264737 A1 \* 10/2010 Chandler ..... H05B 33/0854  
 307/66  
 2010/0270133 A1 \* 10/2010 Baker ..... H01H 25/041  
 200/4  
 2010/0327754 A1 \* 12/2010 Schenk ..... H05B 37/02  
 315/151  
 2011/0057576 A1 \* 3/2011 Otake ..... H05B 33/0803  
 315/291  
 2012/0139446 A1 \* 6/2012 Koren ..... H05B 33/0842  
 315/297  
 2012/0282815 A1 \* 11/2012 Aurongzeb ..... H01R 13/625  
 439/660  
 2013/0088154 A1 \* 4/2013 Van Hoof ..... H05B 37/0227  
 315/152  
 2013/0181623 A1 \* 7/2013 Uhara ..... H05B 33/0851  
 315/193  
 2013/0210252 A1 \* 8/2013 Ilyes ..... G08C 19/00  
 439/226  
 2014/0001846 A1 \* 1/2014 Mosebrook ..... H04L 12/2816  
 307/11  
 2014/0070703 A1 \* 3/2014 Chen ..... H05B 33/0803  
 315/113  
 2014/0225526 A1 \* 8/2014 Jonsson ..... H05B 37/02  
 315/291  
 2014/0354184 A1 \* 12/2014 Matsuki ..... G03B 9/02  
 315/307  
 2016/0035217 A1 \* 2/2016 Camden ..... G08C 17/02  
 340/12.5  
 2016/0224036 A1 \* 8/2016 Baker ..... G05D 23/1393

OTHER PUBLICATIONS

OSRAM Connected Lighting Module Wins Lightfair Innovation Award. osram-america.com. (online) 2 pgs. May 13, 2016 [retrieved on Oct. 5, 2016] <https://www.osram-america.com/en-us/newsroom/press-releases/Pages/OSRAM-Connected-Lighting-Module-Wins-LIGHTFAIR-Innovation-Award.aspx>.  
 Controls-OSRAM Connected Lighting Module. osram-america.com. (online) 1 pg. [retrieved on Oct. 6, 2016] <https://www.osram-america.com/en-us/products/solid-state-lighting-led/Pages/Controls.aspx>.  
 Wireless Control Module and Lighting Control (Design—© Questel). orbit.com [online PDF] 155 pages. Print Dates range from Jul. 16, 1998 to Mar. 23, 2016 [retrieved on Oct. 6, 2016] <https://sobjprd.questel.fr/export/QPTUJ214/pdf2/ed075aa7-41d4-4e05-af51-60bad7da9c7d-175058.pdf>.  
 Connected Lighting Module (LMS107). sylvania.com. (online PDF) 3 pgs. Jun. 22, 2016 [retrieved on Oct. 6, 2016] [https://assets.sylvania.com/assets/Documents/LMS107\\_ConnectedLightingModule.28d94dab-9108-4715-98bb-760c2989f539.pdf](https://assets.sylvania.com/assets/Documents/LMS107_ConnectedLightingModule.28d94dab-9108-4715-98bb-760c2989f539.pdf).

\* cited by examiner

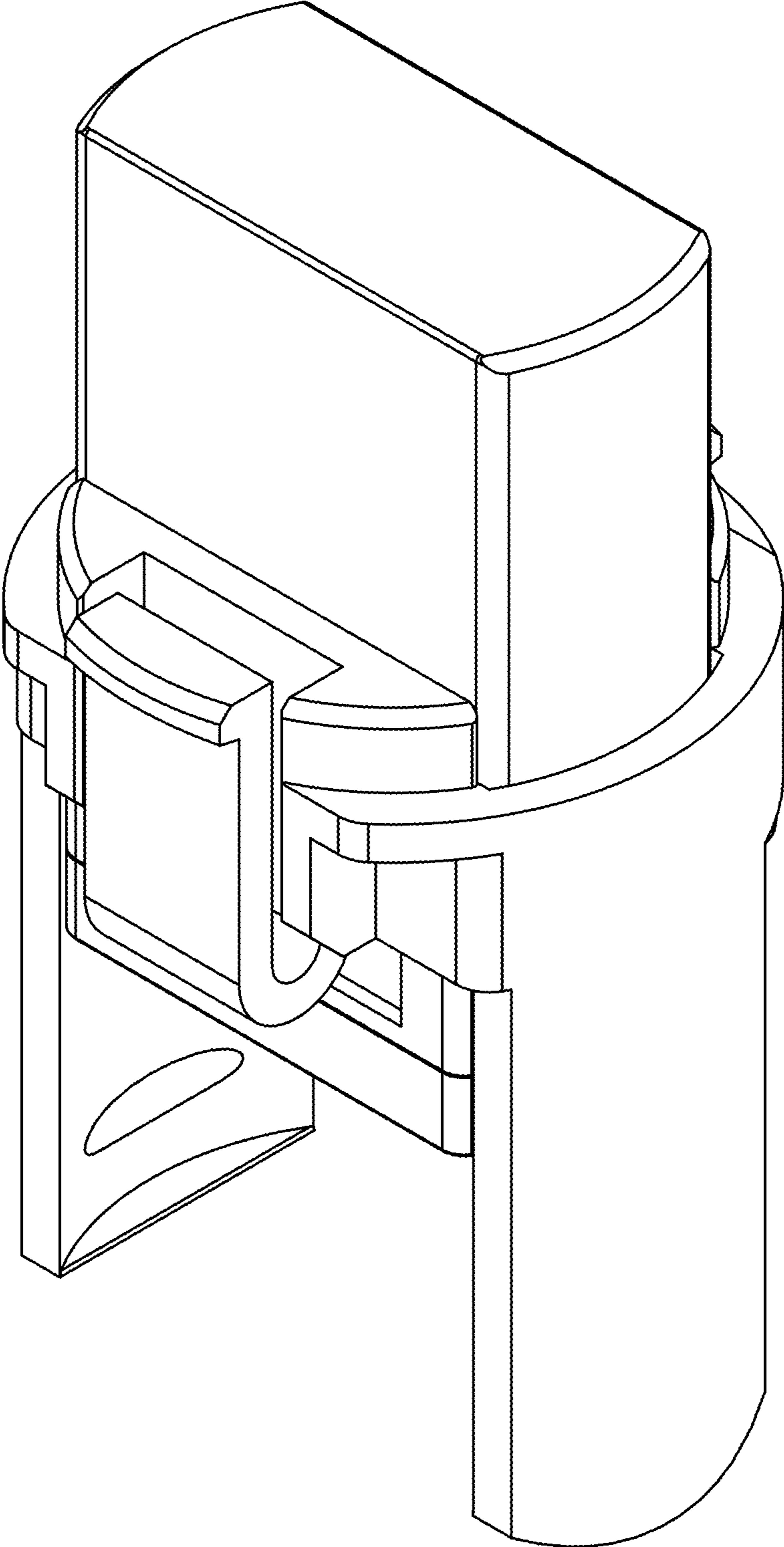


FIG. 1

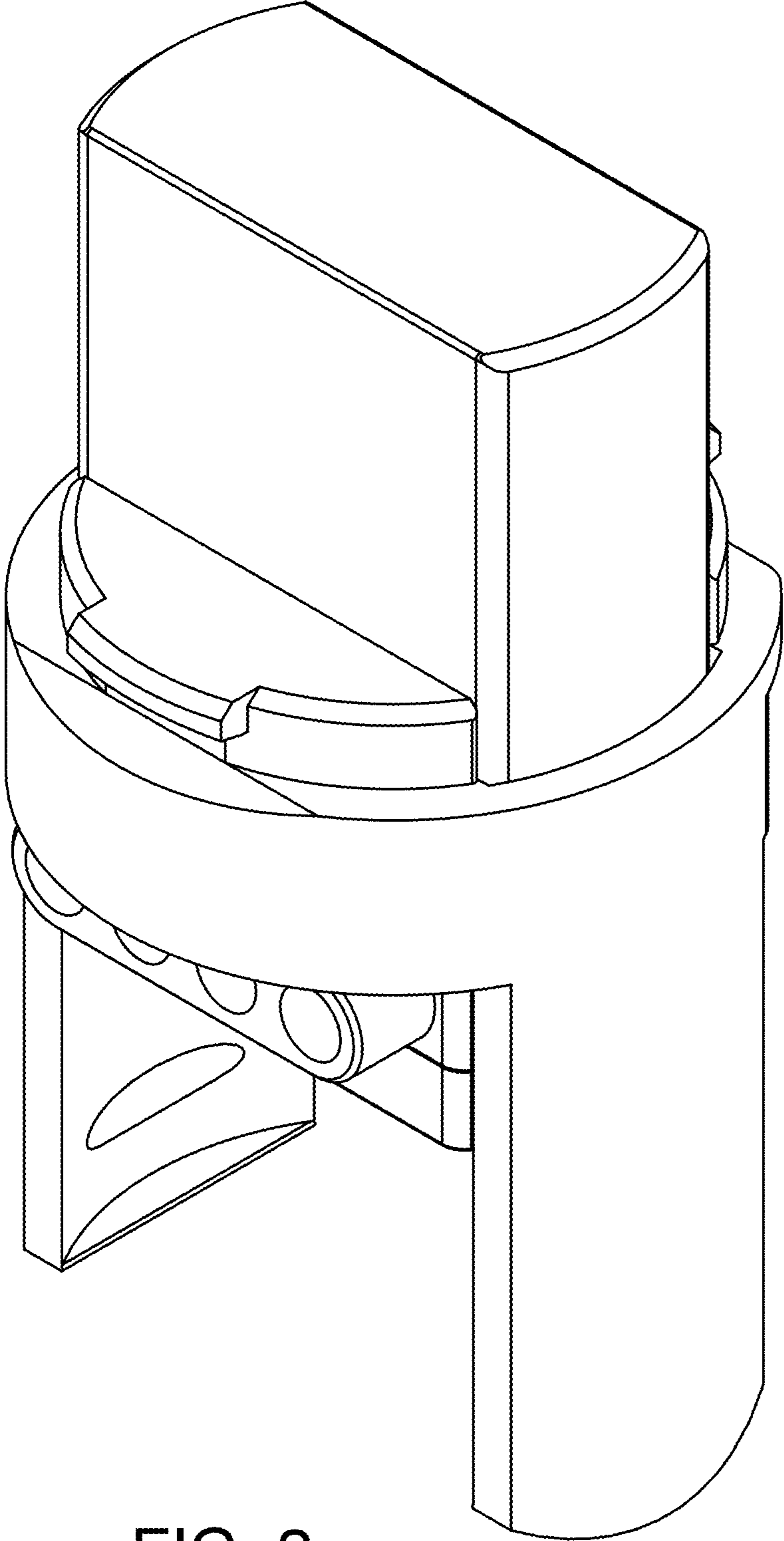


FIG. 2

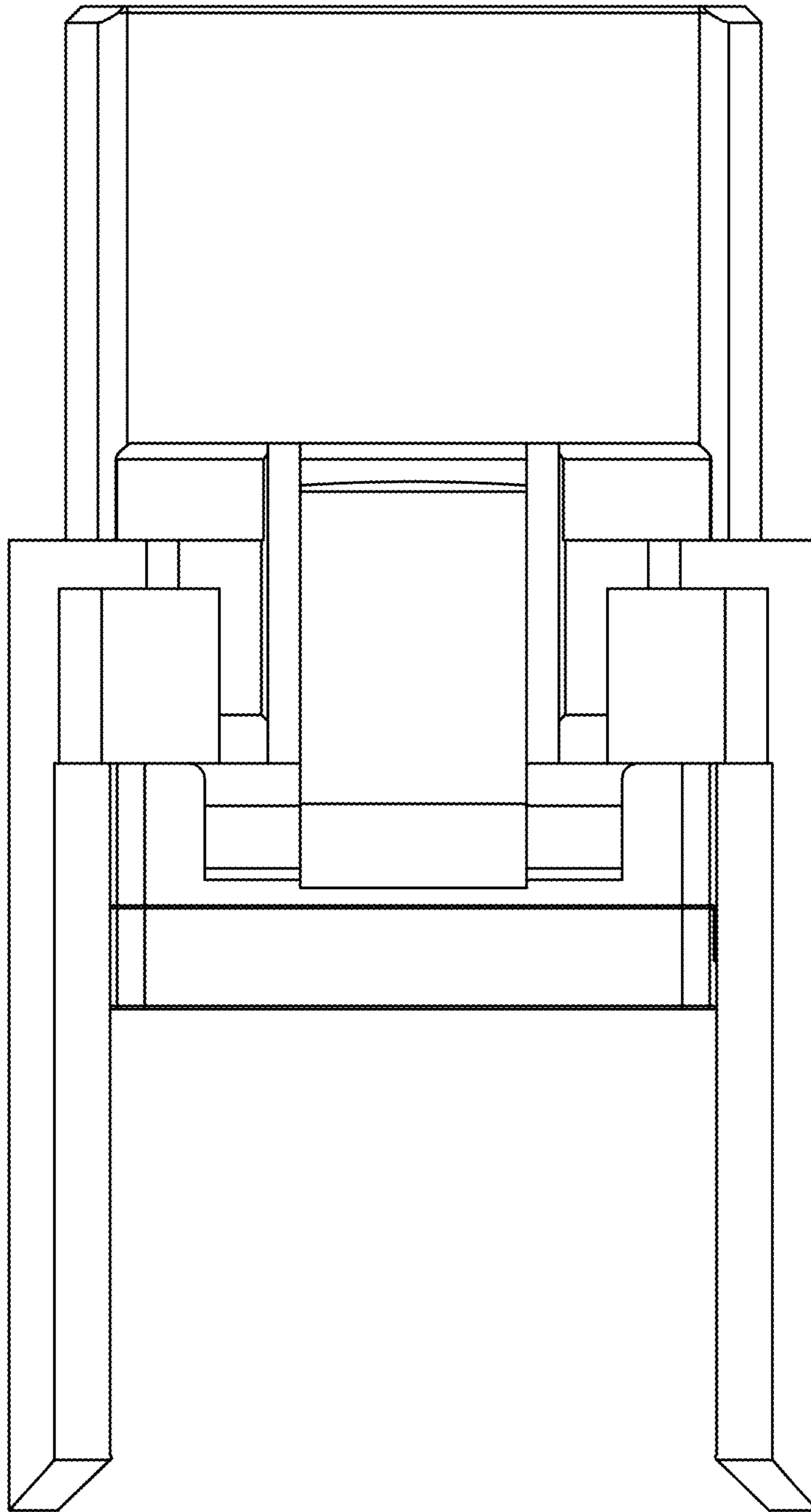


FIG. 3

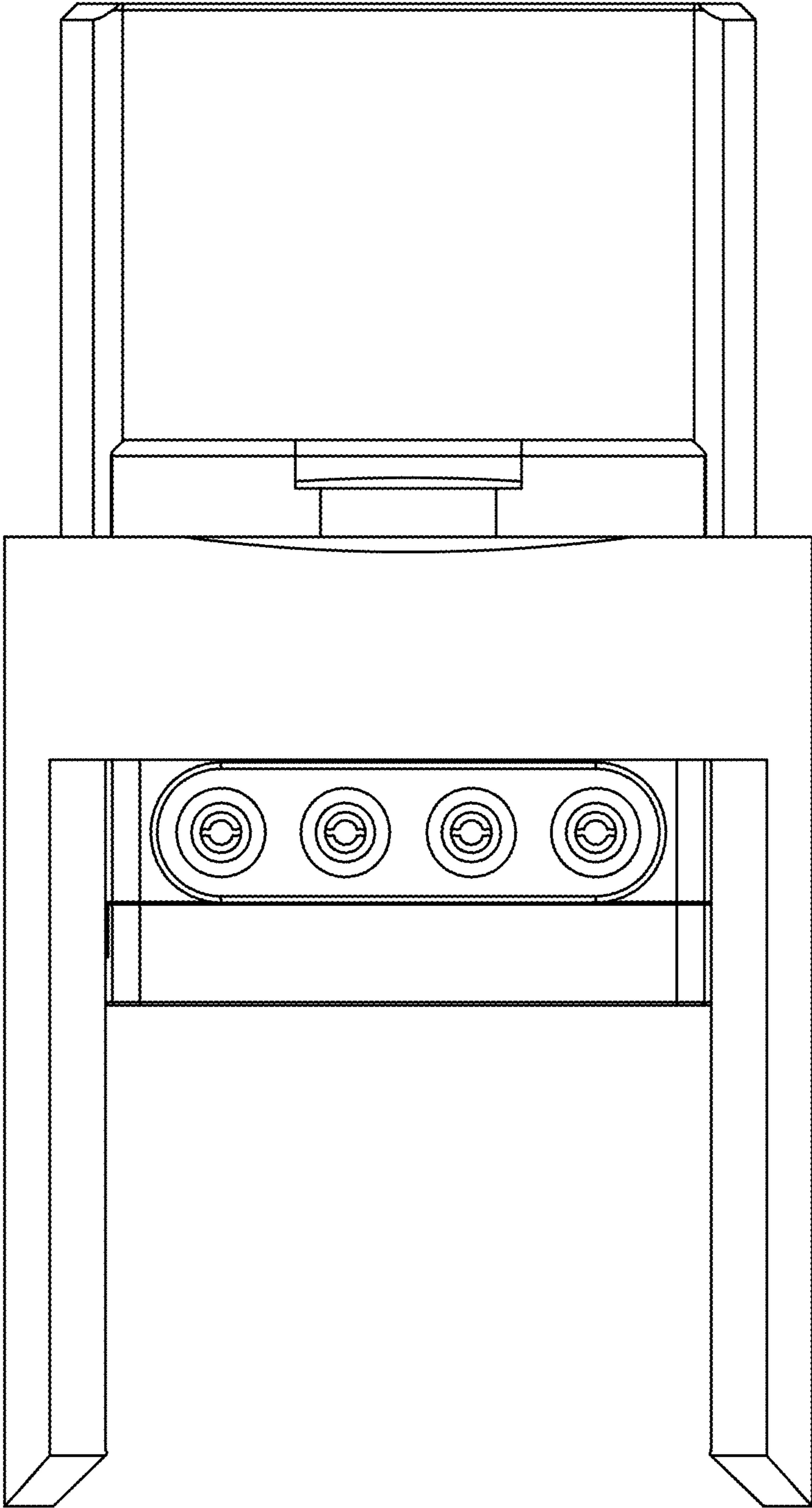


FIG. 4

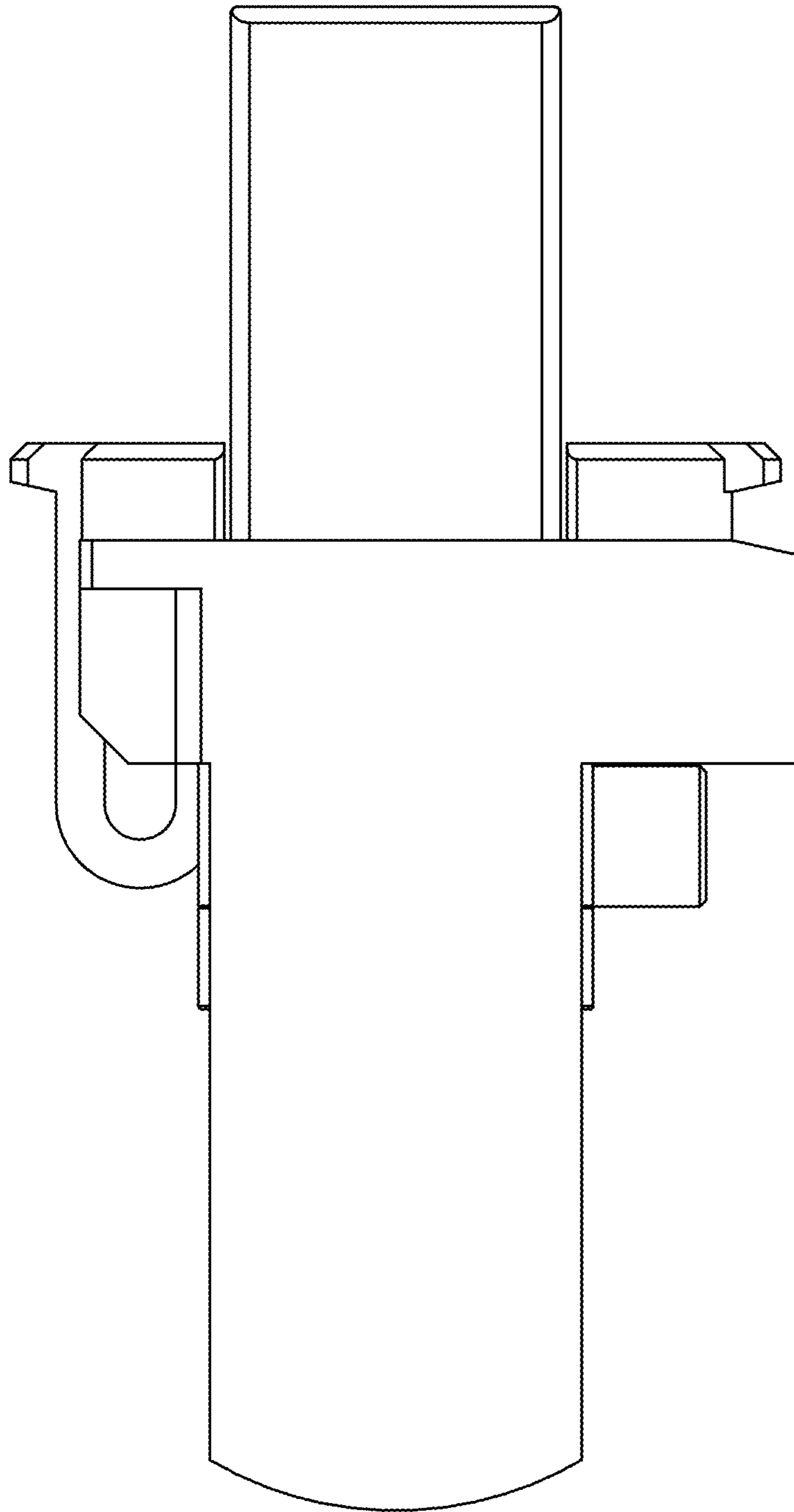


FIG. 5

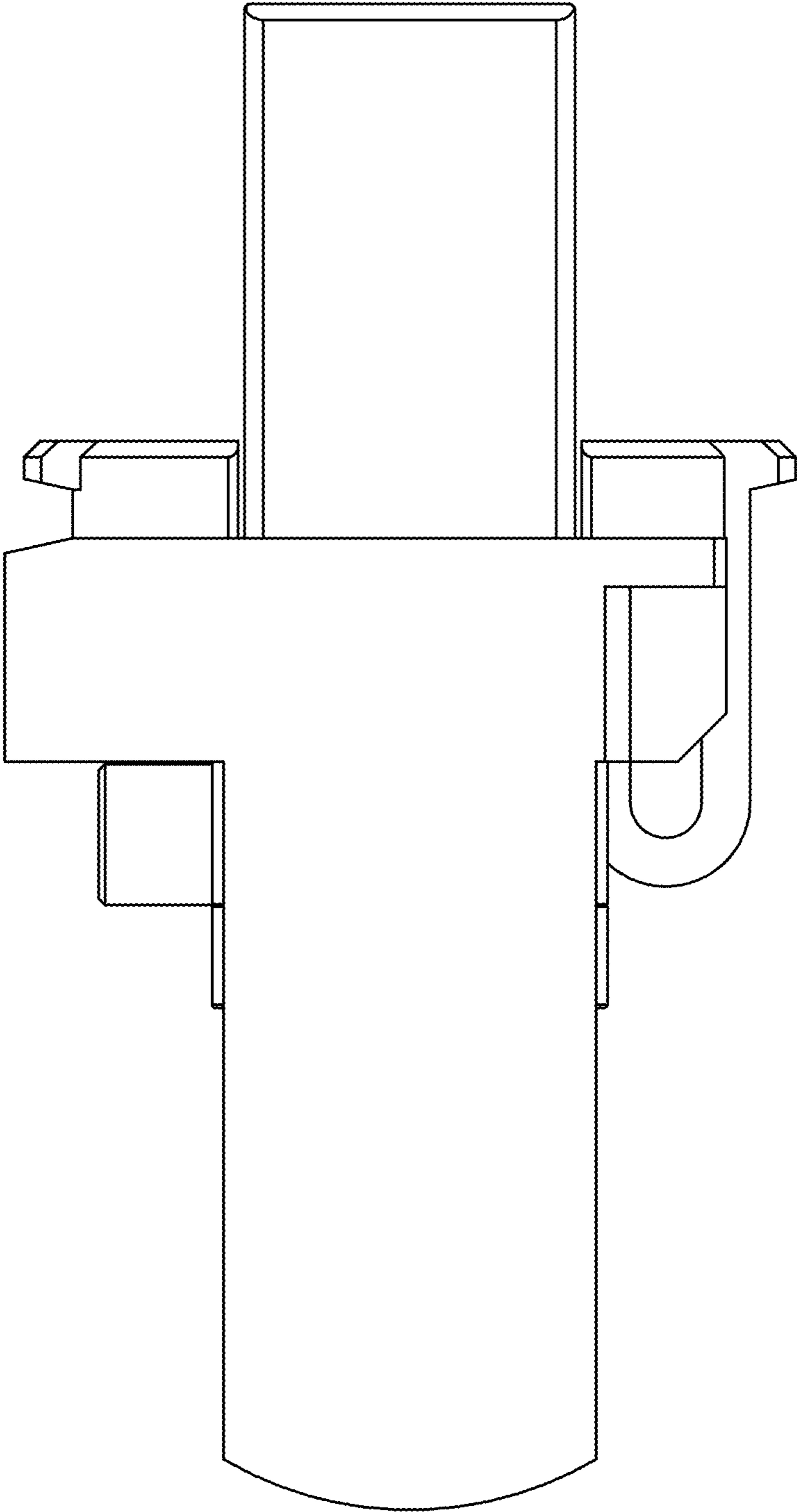


FIG. 6



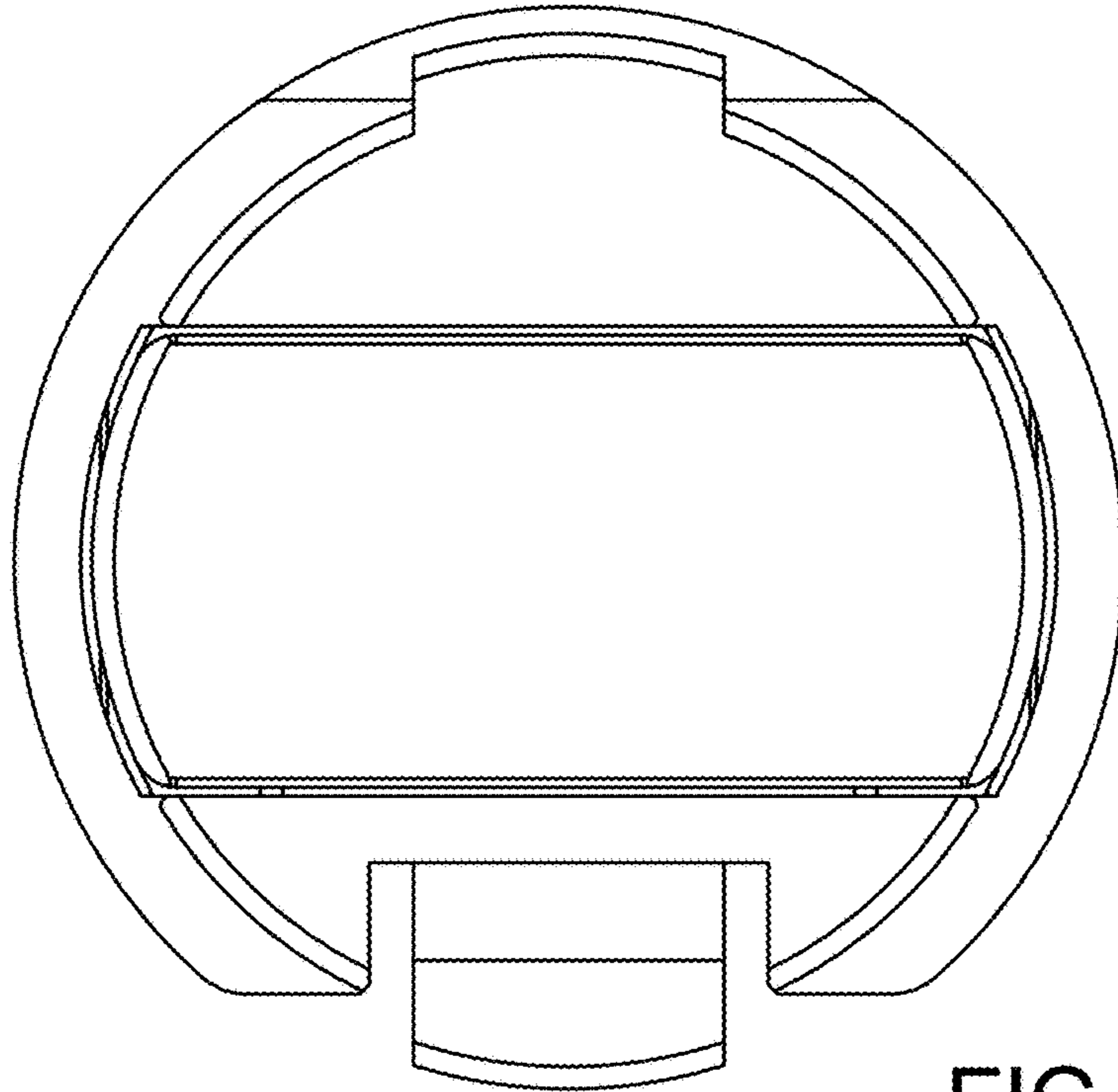


FIG. 7

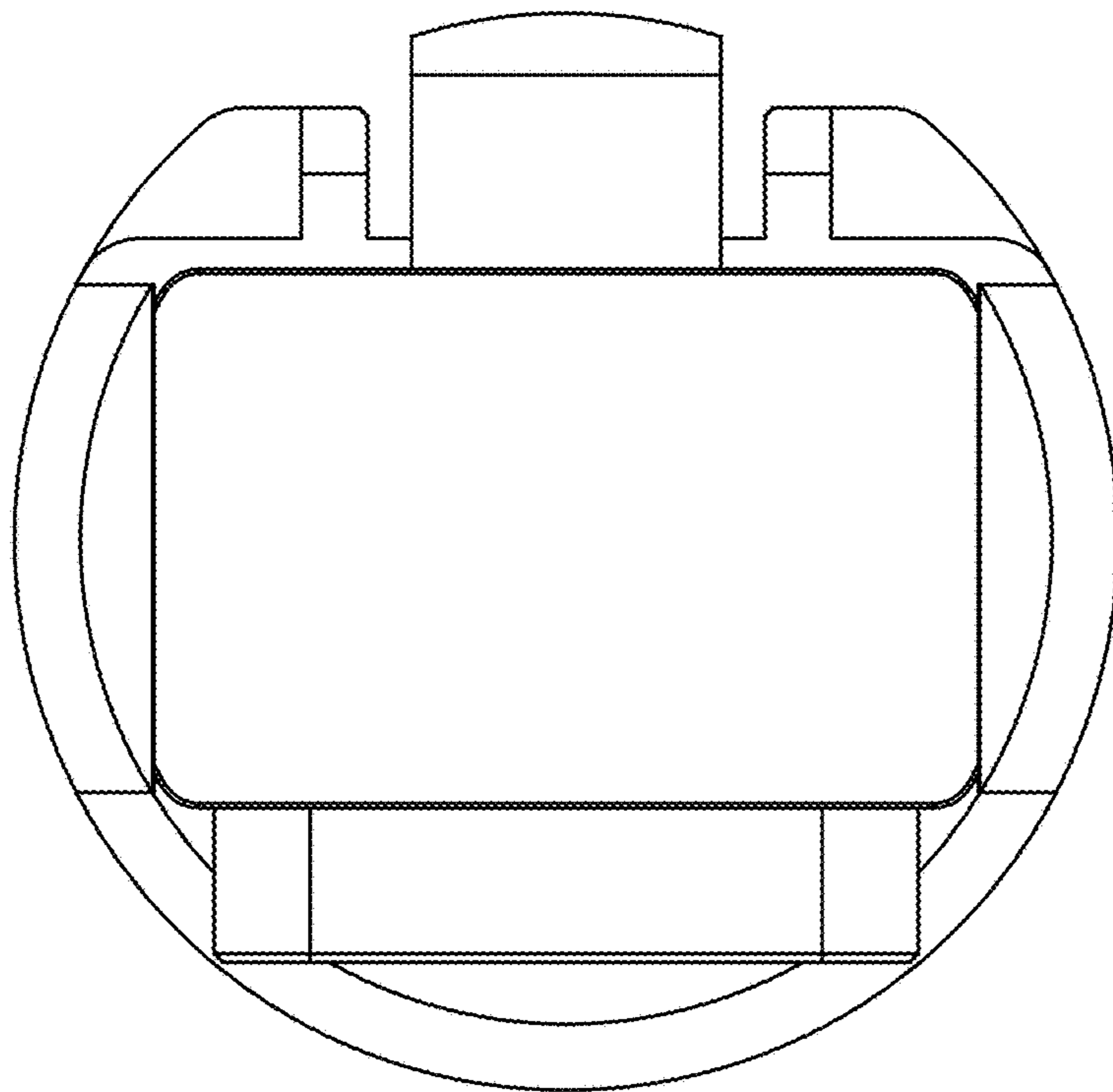


FIG. 8

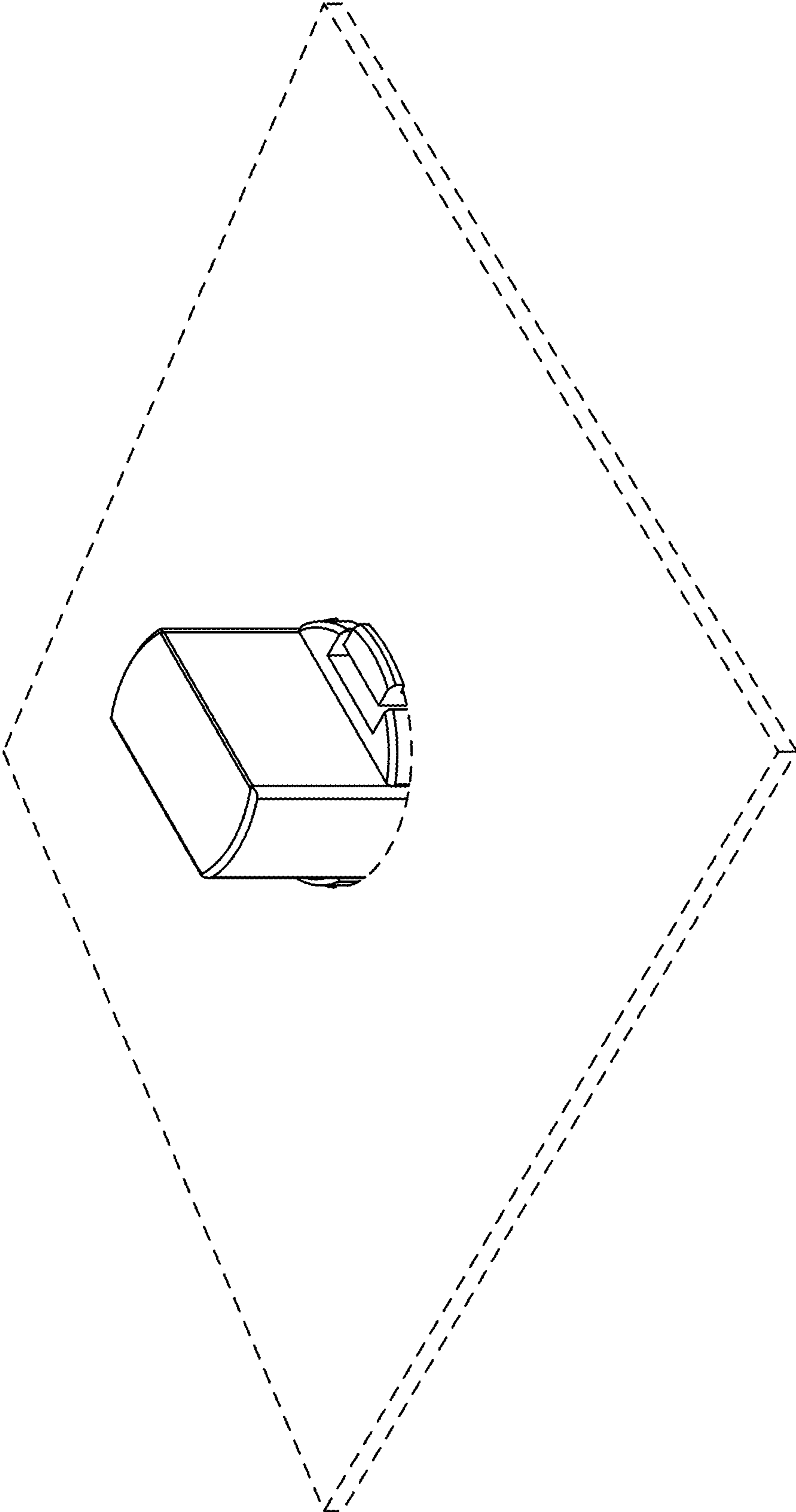


FIG. 9