



US00D844571S

(12) **United States Design Patent**
Hoffknecht et al.

(10) **Patent No.:** **US D844,571 S**

(45) **Date of Patent:** **** Apr. 2, 2019**

- (54) **WIRELESS CONTROL MODULE**
- (71) Applicants: **Marc Hoffknecht**, Newmarket (CA);
Darko Stjepanovic, Toronto (CA)
- (72) Inventors: **Marc Hoffknecht**, Newmarket (CA);
Darko Stjepanovic, Toronto (CA)
- (73) Assignee: **OSRAM SYLVANIA Inc.**, Wilmington,
MA (US)

- D308,647 S * 6/1990 Mayo D10/104.1
- D310,064 S * 8/1990 Cheng D13/151
- D310,065 S * 8/1990 Cheng D13/134
- 5,214,354 A * 5/1993 Johnson H01K 1/46
315/208
- D338,206 S * 8/1993 Sawaguchi D14/230
- D346,151 S * 4/1994 Zaugg D13/158
- D354,730 S * 1/1995 Collins D13/125

(Continued)

- (**) Term: **15 Years**
- (21) Appl. No.: **29/613,793**
- (22) Filed: **Aug. 14, 2017**

Related U.S. Application Data

- (62) Division of application No. 29/525,165, filed on Apr. 27, 2015, now Pat. No. Des. 794,577.
- (51) **LOC (11) Cl.** **13-03**
- (52) **U.S. Cl.**
USPC **D13/162; D14/358**
- (58) **Field of Classification Search**
USPC D14/356-358, 388, 496, 137, 140, 155,
D14/225, 226, 230, 240, 242, 243, 299,
D14/300; D13/162, 162.1, 164, 168,
D13/171-174, 184, 199; D10/46, 104.1,
D10/106.1, 106.2, 106.3, 106.6, 106.9;
D26/113, 118
CPC H05B 33/0833; H05B 33/0839; H05B
33/0842; H05B 33/0884; H05B 3/0845;
H05B 33/086; H05B 33/0863; H05B
33/0896; H05B 37/02; H05B 37/0272;
H05B 37/0227
See application file for complete search history.

(56) **References Cited**

U.S. PATENT DOCUMENTS

- D71,165 S * 9/1926 Suren D10/102
- D304,944 S * 12/1989 Behringer D14/188

OTHER PUBLICATIONS

OSRAM-ZBHA-CLM-DIM Connected lighting Module. lightingindia.
In. (online Image) 1 pg. [retrieved on Oct. 5, 2016] <http://www.lightingindia.in/uploads/2255/09%20%20%20Osram%20Sylvania.jpg>*

(Continued)

Primary Examiner — Marie D. Fast Horse

(74) *Attorney, Agent, or Firm* — Shaun P. Montana

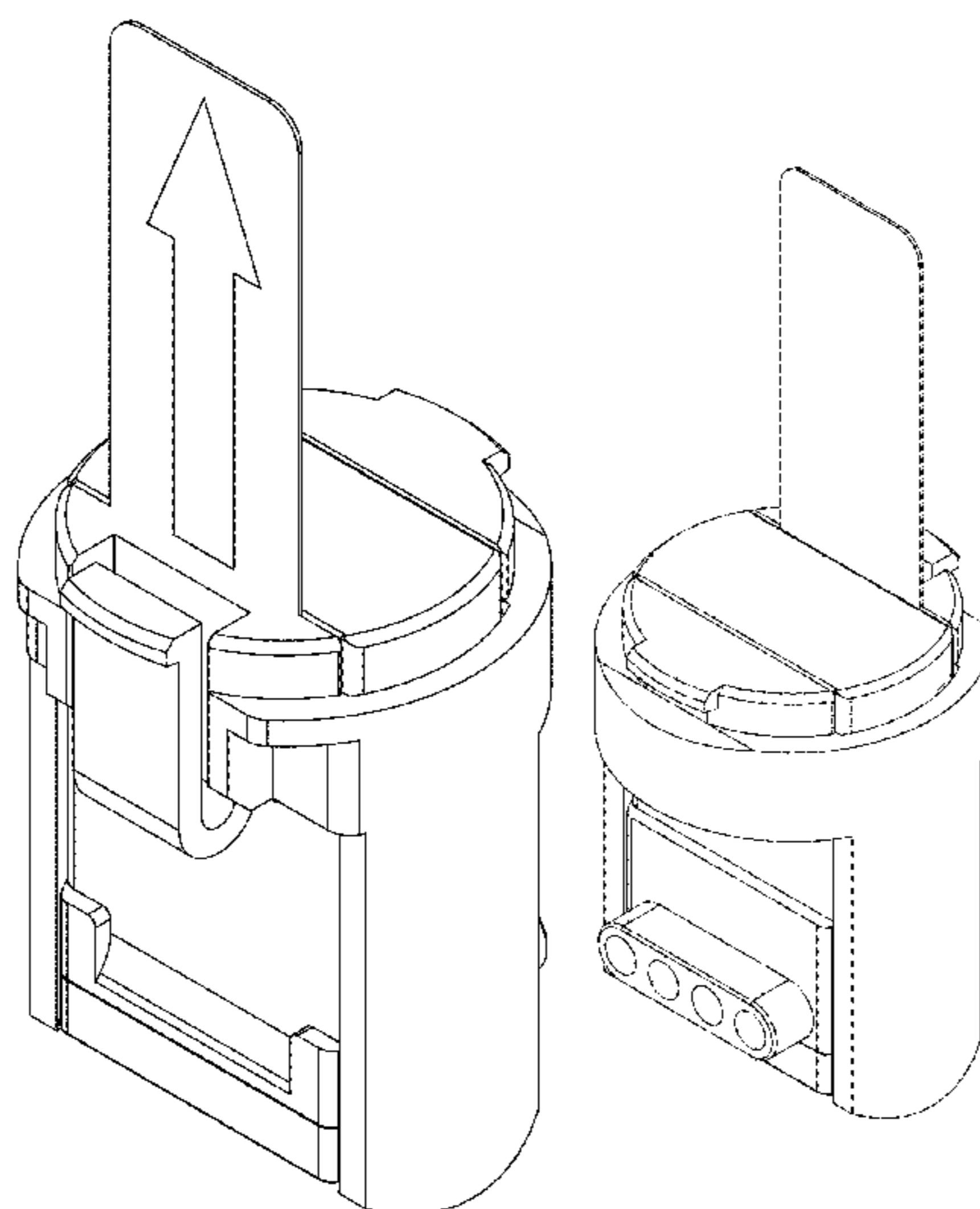
(57) **CLAIM**

The ornamental design for a wireless control module, as shown and described.

DESCRIPTION

FIG. 1 is a perspective view of a wireless control module showing our new design;
 FIG. 2 is another perspective view thereof;
 FIG. 3 is a front view thereof;
 FIG. 4 is a back view thereof;
 FIG. 5 is a right side view thereof;
 FIG. 6 is a left side view thereof;
 FIG. 7 is top view thereof;
 FIG. 8 is another perspective view thereof, shown within its environment; and,
 FIG. 9 is another perspective view thereof, shown within its environment.
 The broken lines in the drawings depict environmental subject matter only and form no part of the claimed design.

1 Claim, 9 Drawing Sheets



(56)

References Cited

U.S. PATENT DOCUMENTS

D362,841 S * 10/1995 Roza D13/171
 D374,187 S * 10/1996 Phelps D10/104.1
 D389,461 S * 1/1998 Mayo D13/164
 D389,805 S * 1/1998 Mayo D13/164
 D395,037 S * 6/1998 Mayo D13/164
 D399,154 S * 10/1998 Proctor D10/104.1
 D432,998 S * 10/2000 Decosse D13/174
 D441,346 S * 5/2001 Bonn D13/174
 D445,407 S * 7/2001 Bonn D13/174
 6,396,040 B1 * 5/2002 Hill B60Q 1/1423
 250/205
 D482,662 S * 11/2003 Foster D13/162
 D506,404 S * 6/2005 Kaczmarek D10/104.1
 D525,586 S * 7/2006 Blake D13/123
 D555,605 S * 11/2007 Parnell D13/171
 D559,797 S * 1/2008 Neveu D13/174
 D561,707 S * 2/2008 Neveu D13/174
 7,333,903 B2 * 2/2008 Walters G06Q 30/04
 315/119
 D593,510 S * 6/2009 Chen D13/171
 D600,642 S * 9/2009 Biery D13/134
 D602,388 S * 10/2009 Killo D10/106.1
 7,637,766 B2 * 12/2009 Kauffman G01J 1/02
 439/337
 D610,990 S * 3/2010 Biery D13/134
 D625,638 S * 10/2010 Lodi D10/106.9
 D626,963 S * 11/2010 Kim D14/420
 D631,770 S * 2/2011 Killo D10/106.5
 D635,476 S * 4/2011 Killo
 8,038,481 B1 * 10/2011 Creighton H01R 33/9456
 439/660
 D662,065 S * 6/2012 Cook D13/168
 D665,290 S * 8/2012 Bhate D10/106.6
 D682,131 S * 5/2013 Bhate D10/106.6
 D685,790 S * 7/2013 Tang D14/218
 D687,328 S * 8/2013 Clymer D10/104.1
 D690,668 S * 10/2013 Jacoby D13/174
 D692,171 S * 10/2013 Randolph D26/67
 D692,898 S * 11/2013 Luijben D14/447
 D693,496 S * 11/2013 Rioux D26/2
 D704,177 S * 5/2014 Chun D14/240
 D704,178 S * 5/2014 Kwak D14/240
 D714,742 S * 10/2014 Chambers D13/174
 8,853,950 B1 * 10/2014 Chang H05B 37/02
 315/119
 D720,305 S * 12/2014 Wenji D13/174
 D722,981 S * 2/2015 Livschitz D13/162
 D724,583 S * 3/2015 Ge D14/356
 D725,088 S * 3/2015 Kwak D14/240
 D730,349 S * 5/2015 Burmeister-Brown D14/240
 D739,284 S * 9/2015 Vu D10/103
 D739,359 S * 9/2015 Creasman D13/165
 D739,361 S * 9/2015 Wenji D13/171
 D743,914 S * 11/2015 Hobson D13/165
 D750,314 S * 2/2016 Hobson D26/118
 9,335,037 B2 * 5/2016 Peeters F21V 23/008
 D758,325 S * 6/2016 Cook D13/168
 D760,221 S * 6/2016 Maruyama D14/357
 9,414,466 B2 * 8/2016 Dvash H05B 37/0236
 D778,888 S * 2/2017 Geiger D14/240
 D780,128 S * 2/2017 Bollinger, Jr. D13/162.1
 D780,129 S * 2/2017 Bollinger, Jr. D13/162.1
 D782,987 S * 4/2017 Gassner D13/171
 D788,046 S * 5/2017 Oksengendler D13/162
 D788,719 S * 6/2017 Li D13/171

D794,577 S * 8/2017 Hoffknecht D13/162
 D794,578 S * 8/2017 Oksengendler D13/162
 D799,434 S * 10/2017 Ott D13/173
 D812,024 S * 3/2018 Lewis D13/184
 D816,046 S * 4/2018 Kiong D13/162
 2004/0212993 A1 * 10/2004 Morgan F21V 33/004
 362/231
 2009/0121905 A1 * 5/2009 Griffin, Jr. G08C 17/02
 341/35
 2009/0128262 A1 * 5/2009 Lee H01Q 7/00
 333/219.1
 2010/0244709 A1 * 9/2010 Steiner G01J 1/02
 315/158
 2010/0264737 A1 * 10/2010 Chandler H05B 33/0854
 307/66
 2010/0270133 A1 * 10/2010 Baker H01H 25/041
 200/4
 2010/0327754 A1 * 12/2010 Schenk H05B 33/0851
 315/151
 2011/0057576 A1 * 3/2011 Otake H05B 33/0803
 315/291
 2012/0139446 A1 * 6/2012 Koren H05B 33/0842
 315/297
 2012/0282815 A1 * 11/2012 Aurongzeb H01R 13/625
 439/660
 2013/0088154 A1 * 4/2013 Van Hoof H05B 37/0227
 315/152
 2013/0181623 A1 * 7/2013 Uhara H05B 33/0851
 315/193
 2013/0210252 A1 * 8/2013 Ilyes G08C 19/00
 439/226
 2014/0001846 A1 * 1/2014 Mosebrook H04L 12/2816
 307/11
 2014/0070703 A1 * 3/2014 Chen H05B 33/0803
 315/113
 2014/0225526 A1 * 8/2014 Jonsson H05B 37/02
 315/291
 2014/0354184 A1 * 12/2014 Matsuki G03B 9/02
 315/307
 2016/0035217 A1 * 2/2016 Camden G08C 17/02
 340/12.5
 2016/0224036 A1 * 8/2016 Baker G05D 23/1393

OTHER PUBLICATIONS

OSRAM Connected Lighting Module Wins Lightfair Innovation Award. osram-americas.com. (online) 2 pgs. May 13, 2016 [retrieved on Oct. 5, 2016] <https://www.osram-americas.com/en-us/newsroom/press-releases/Pages/OSRAM-Connected-Lighting-Module-Wins-LIGHTFAIR-Innovation-Award.aspx>.
 Controls-OSRAM Connected Lighting Module. osram-americas.com. (online) 1 pg. [retrieved on Oct. 6, 2016] <https://www.osram-americas.com/en-us/products/solid-state-lighting-led/Pages/Controls.aspx>.
 Wireless Control Module and Lighting Control (Design—© Questel). orbit.com [online PDF] 155 pages. Print Dates range from Jul. 16, 1998 to Mar. 23, 2016 [retrieved on Oct. 6, 2016] <https://sobjprd.questel.fr/export/QPTUJ214/pdf2/ed075aa7-41d4-4e05-af51-60bad7da9c7d-175058.pdf>.
 Connected Lighting Module (LMS107). sylvania.com. (online PDF) 3 pgs. Jun. 22, 2016 [retrieved on Oct. 6, 2016] https://assets.sylvania.com/assets/Documents/LMS107_ConnectedLightingModule.28d94dab-9108-4715-98bb-760c2989f539.pdf.

* cited by examiner

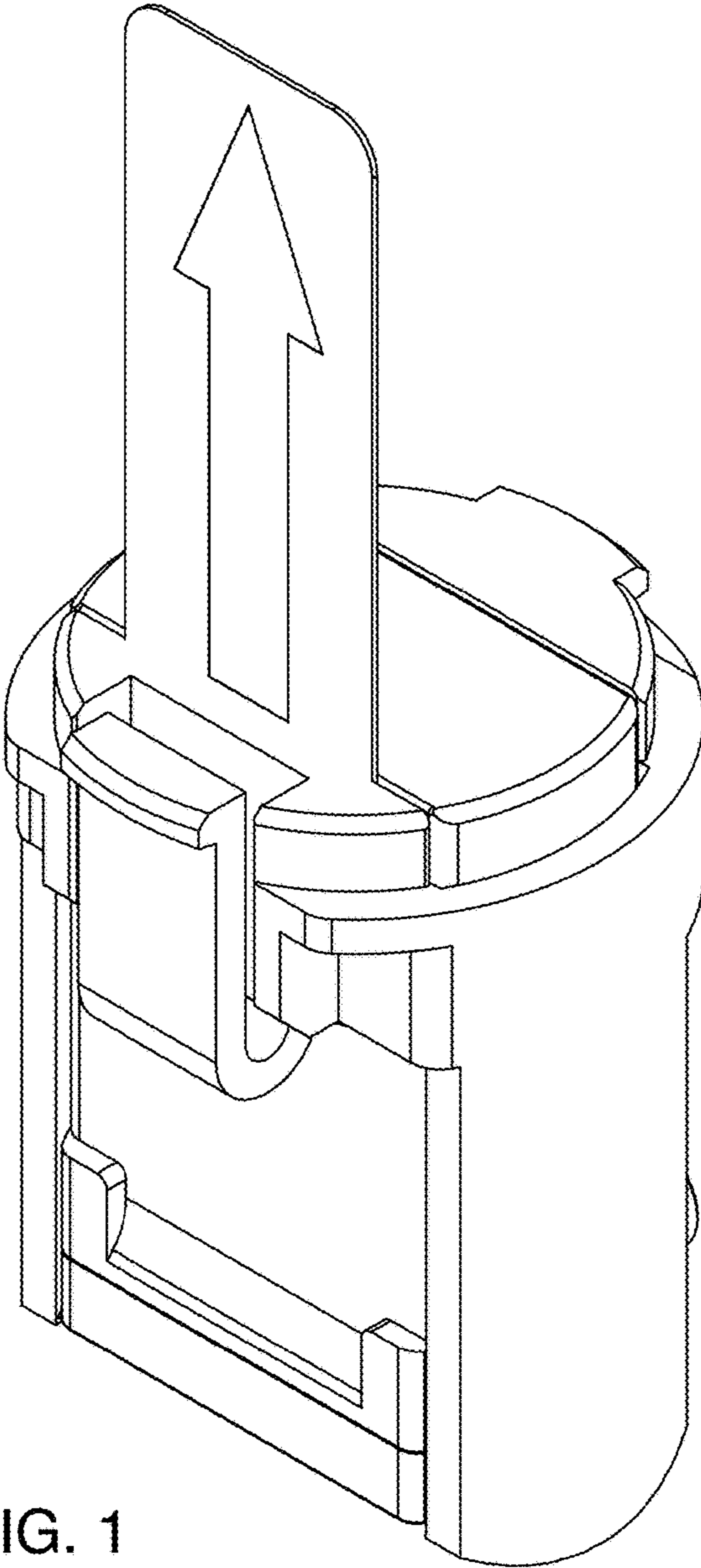


FIG. 1

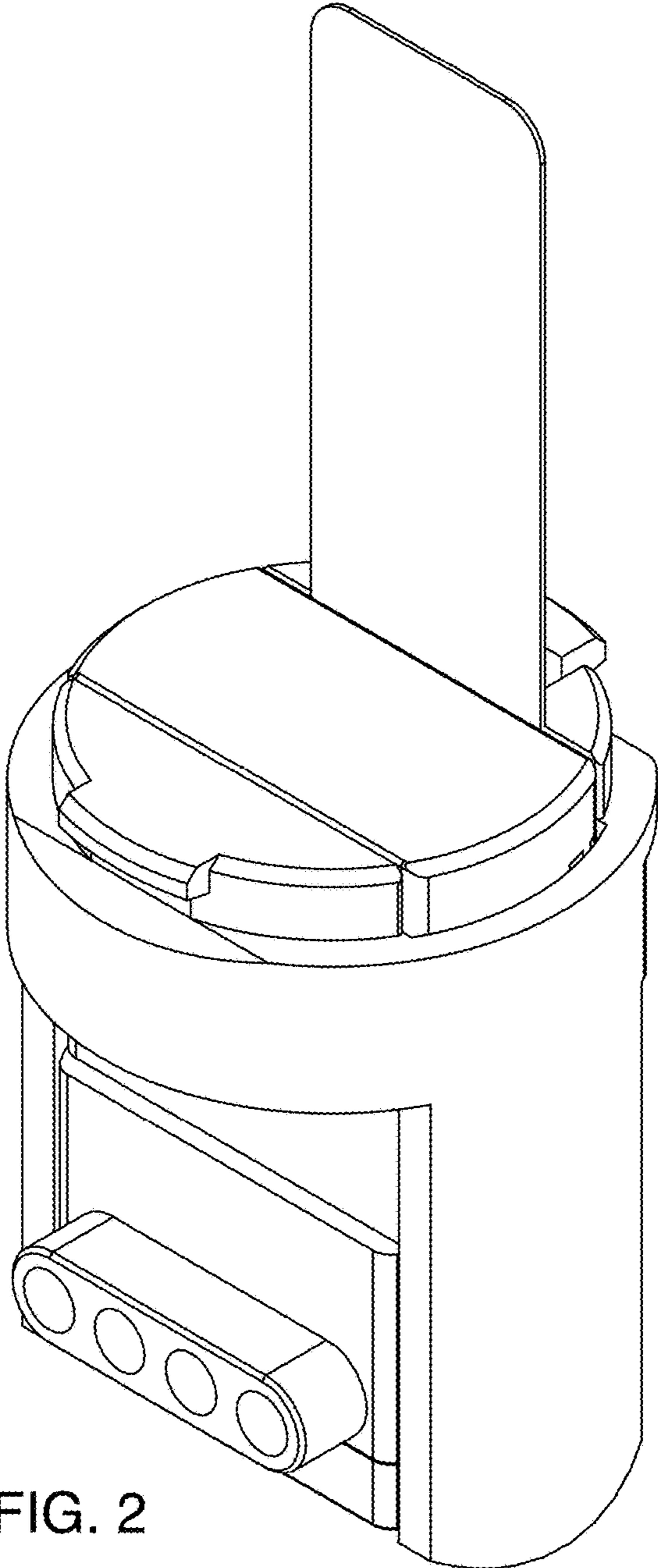


FIG. 2

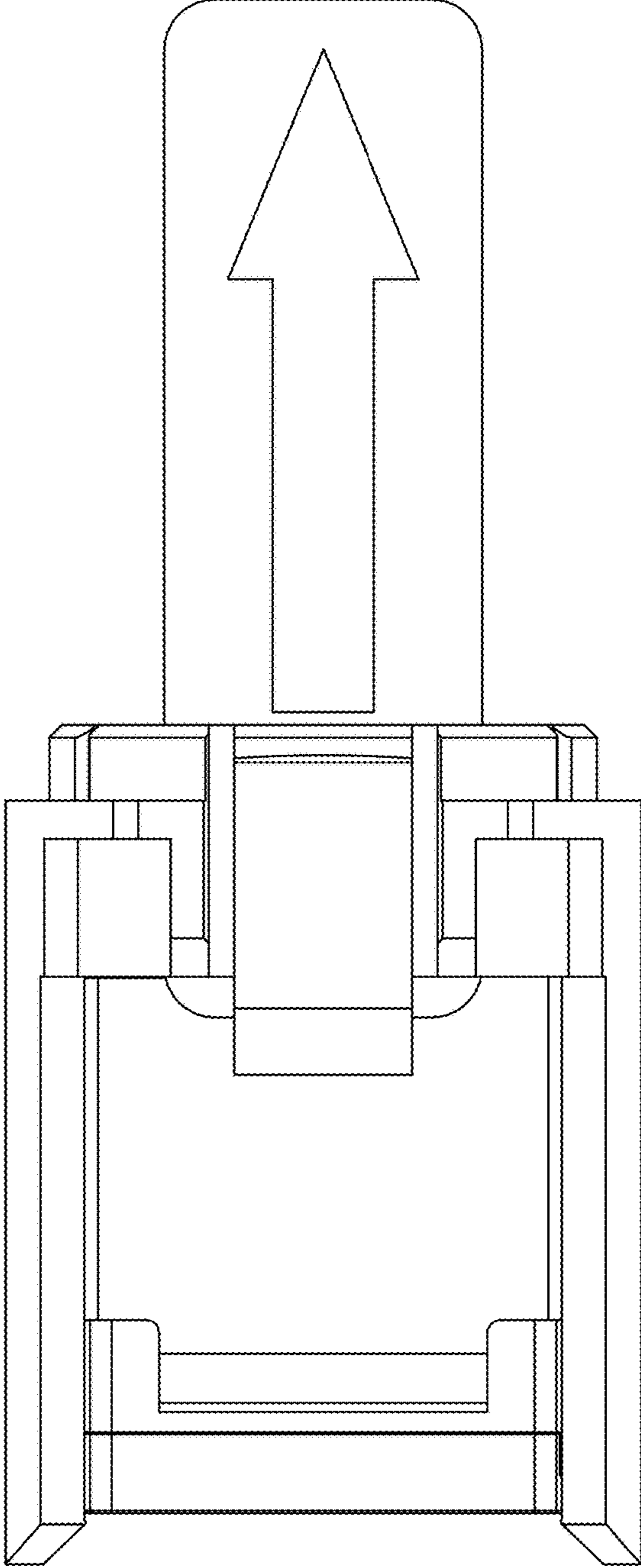


FIG. 3

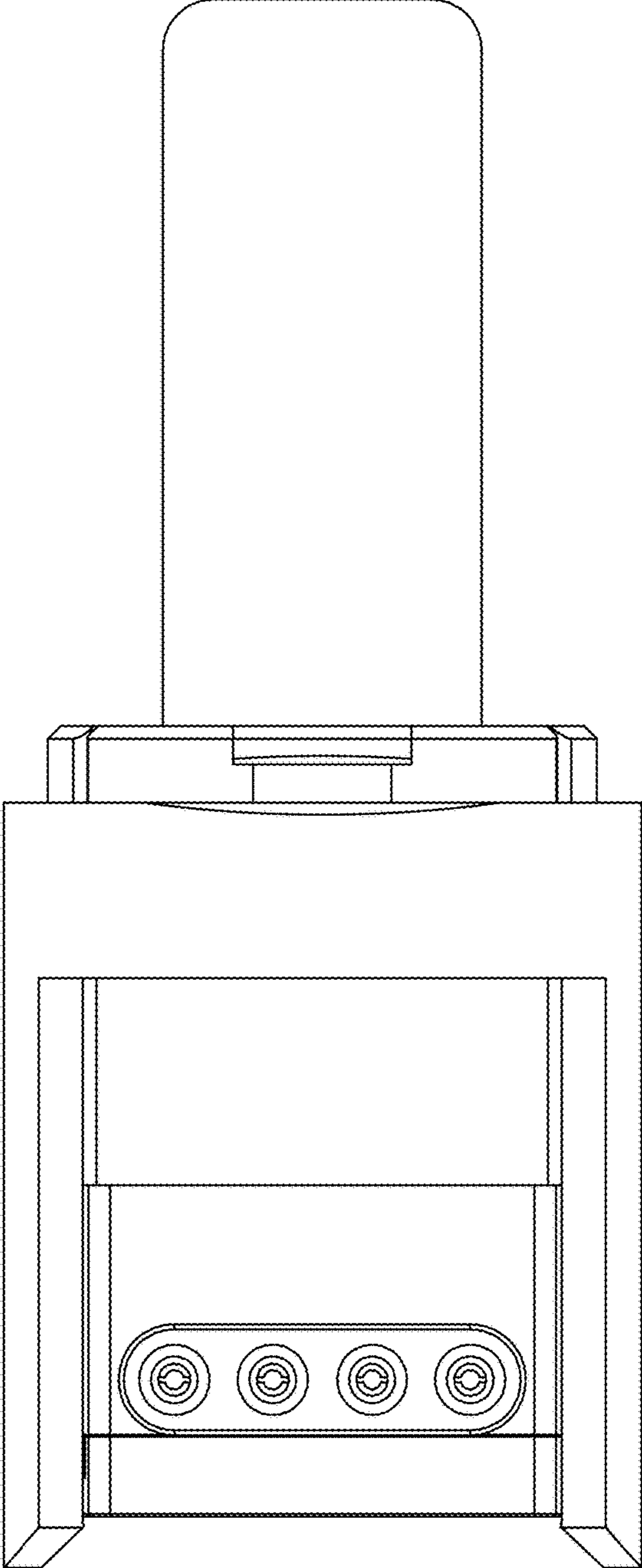


FIG. 4

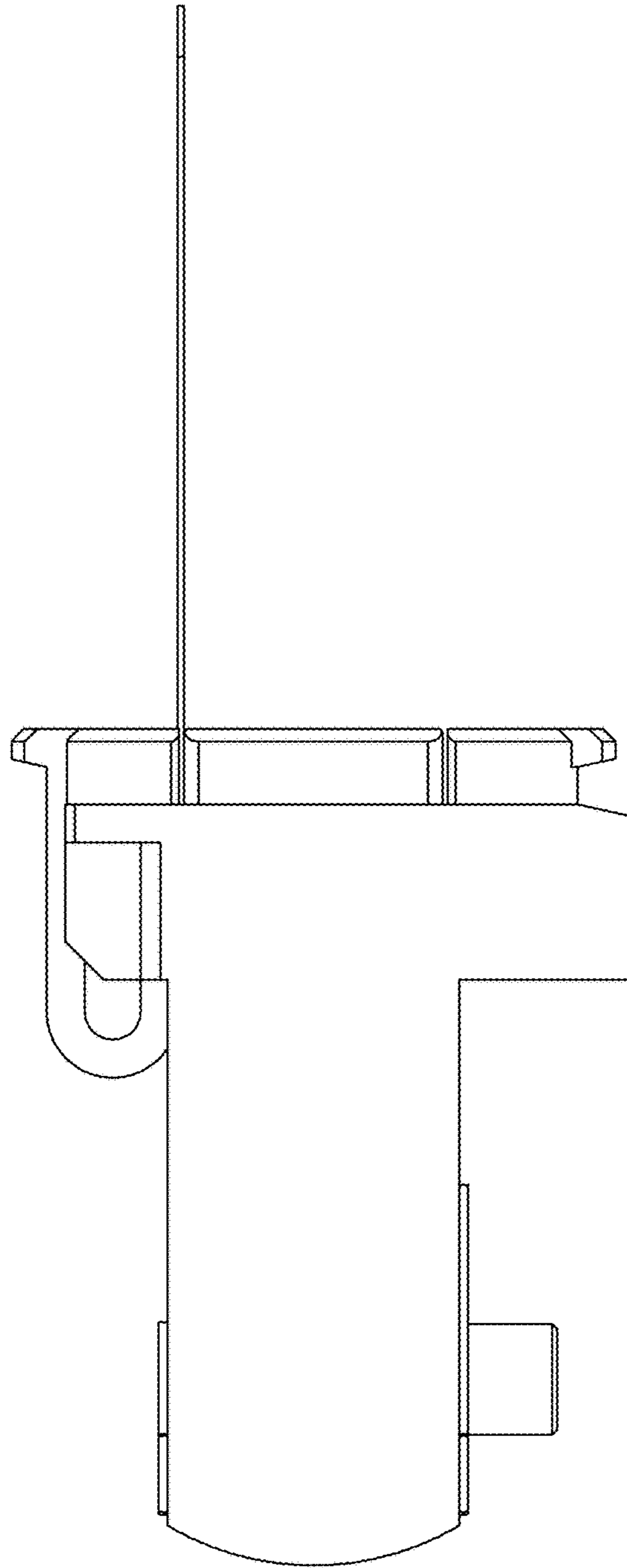


FIG. 5

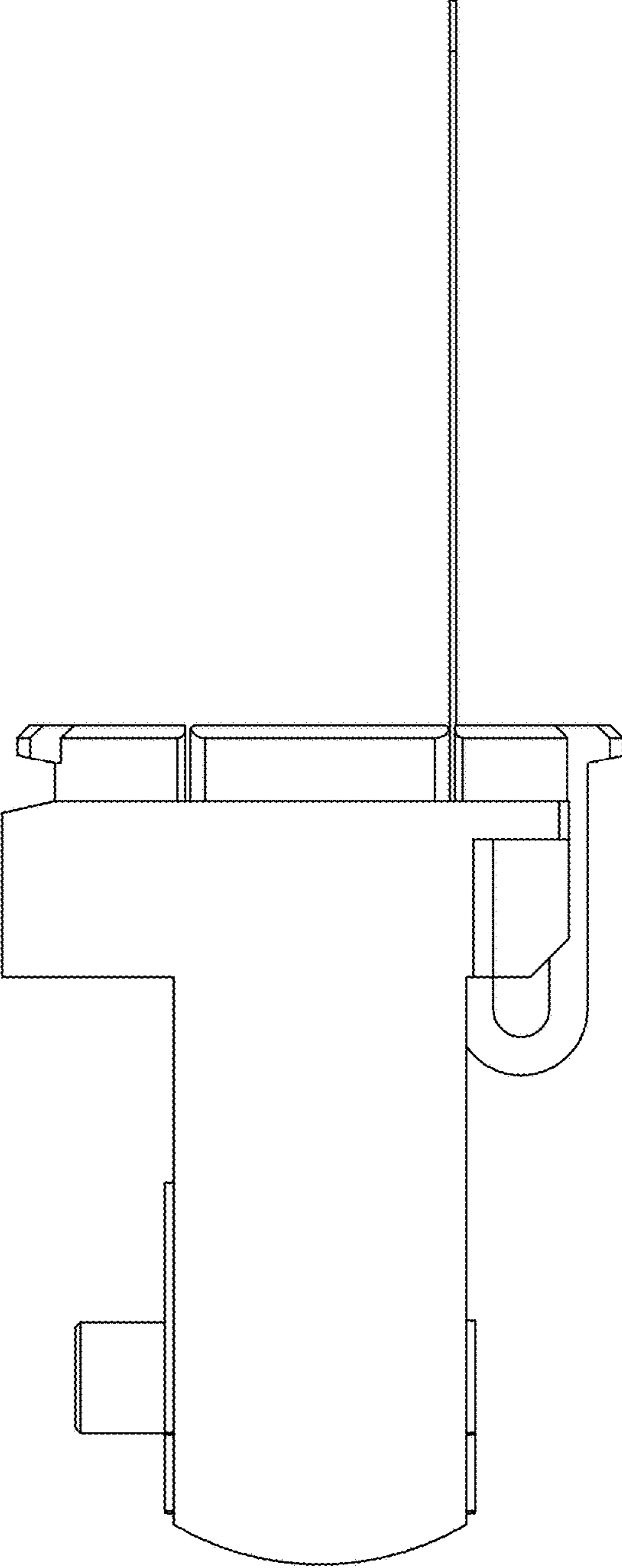


FIG. 6

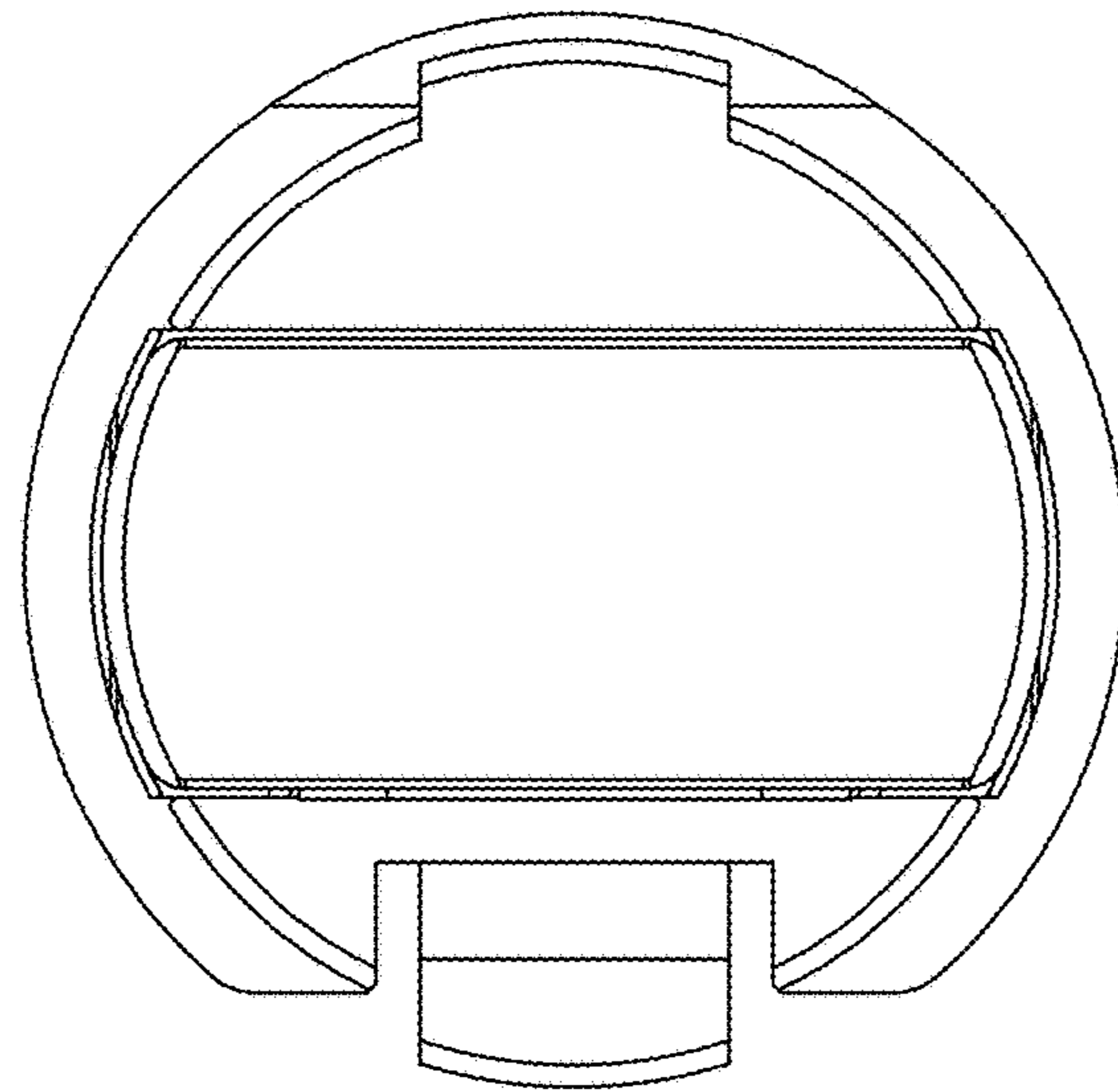


FIG. 7

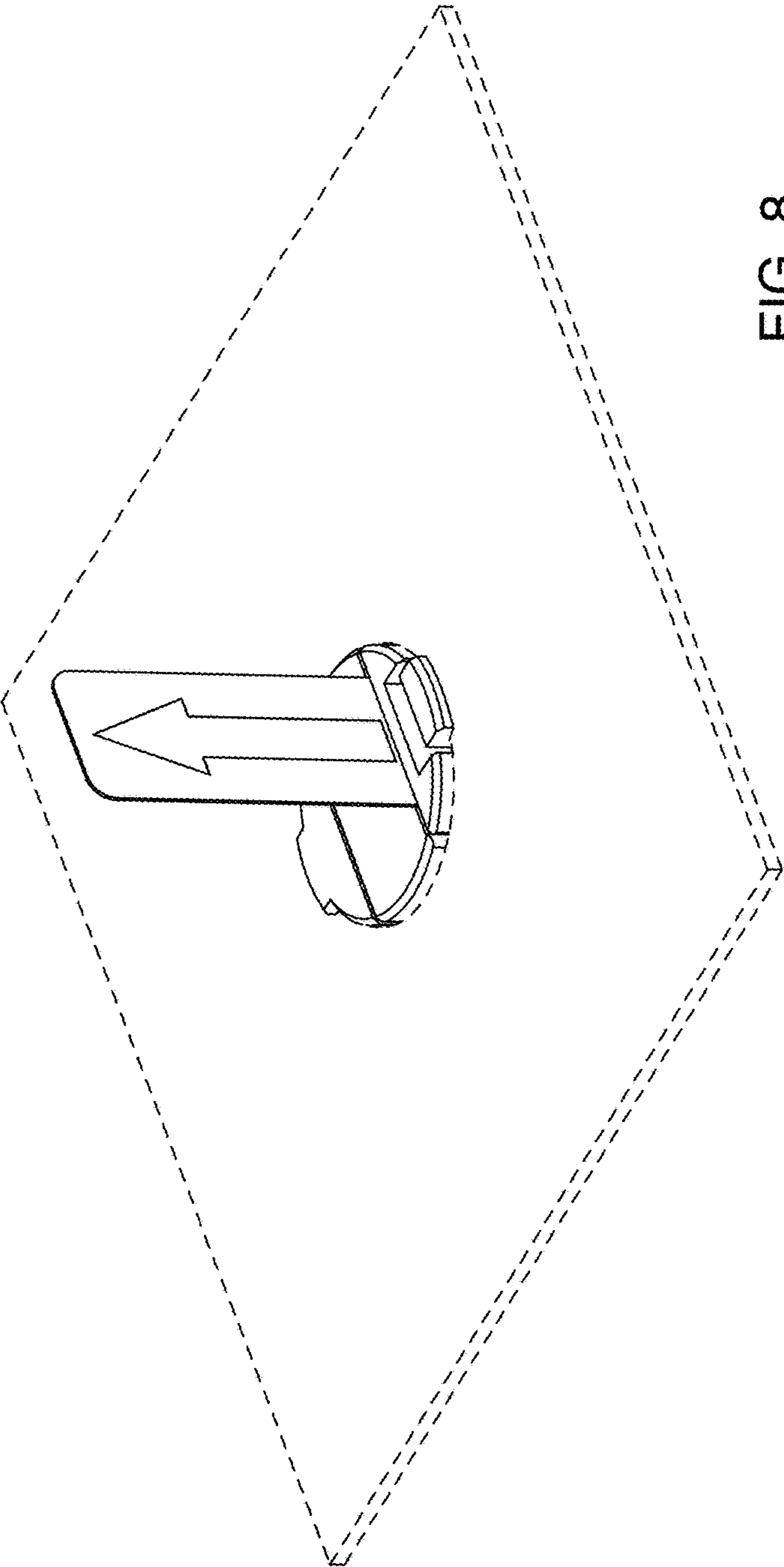


FIG. 8

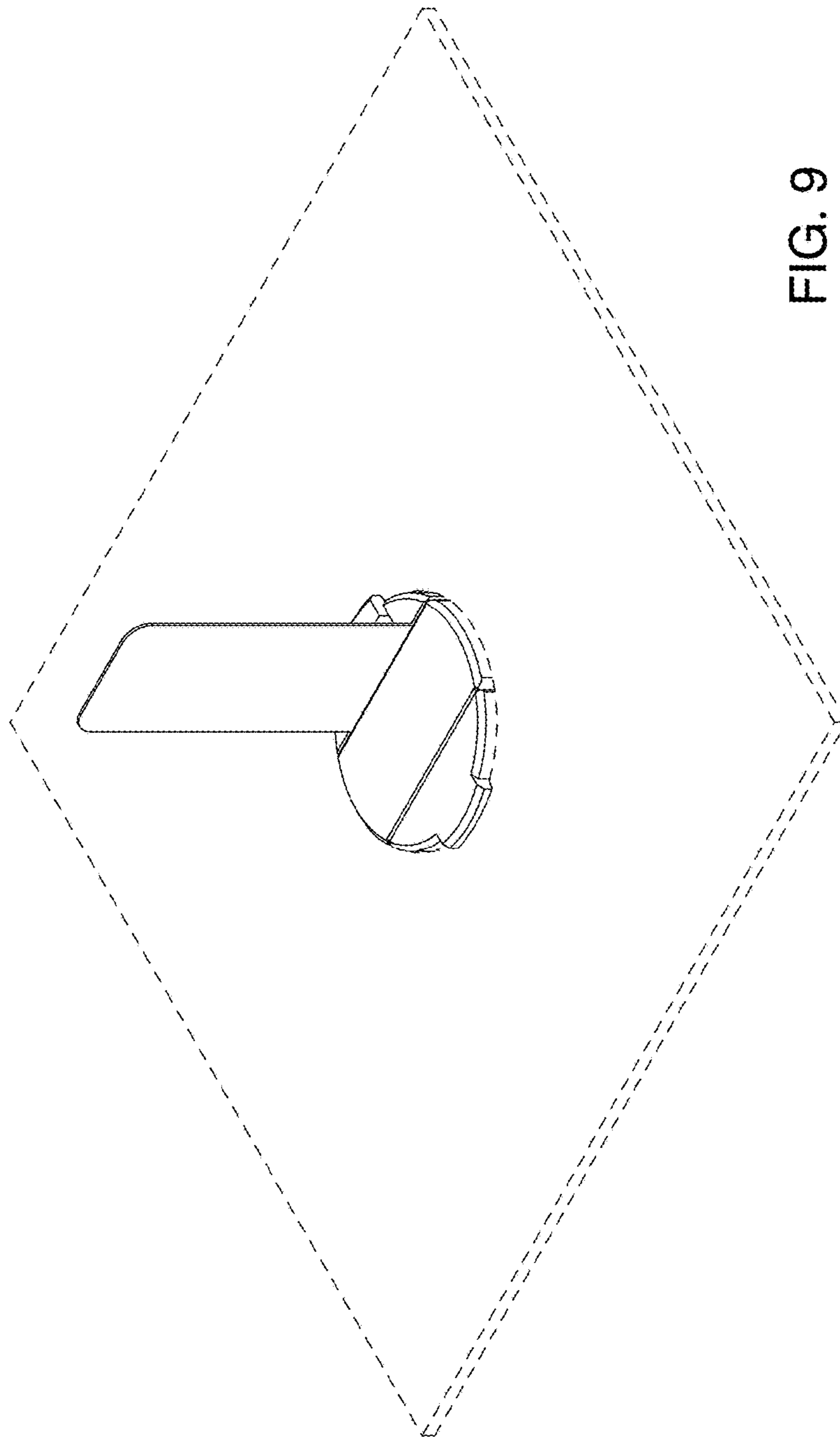


FIG. 9