



US00D844569S

(12) **United States Design Patent**
Brenk

(10) **Patent No.:** **US D844,569 S**

(45) **Date of Patent:** **** Apr. 2, 2019**

(54) **ELECTRICAL SWITCH**

(71) Applicant: **ABB Schweiz AG**, Baden (CH)

(72) Inventor: **Frank Brenk**, Hausach (DE)

(**) Term: **15 Years**

(21) Appl. No.: **35/500,806**

(22) Filed: **Oct. 9, 2015**

(80) **Hague Agreement Data**

Int. Filing Date: **Oct. 9, 2015**

Int. Reg. No.: **DM/087825**

Int. Reg. Date: **Oct. 9, 2015**

Int. Reg. Pub. Date: **Apr. 15, 2016**

(51) **LOC (11) Cl.** **13-03**

(52) **U.S. Cl.**
USPC **D13/158**

(58) **Field of Classification Search**

USPC D13/138, 139.1–139.4, 123, 110, 107,
D13/152; 361/641, 601, 696; D14/365;
174/50.52

CPC H02B 1/52; H02B 1/20

See application file for complete search history.

(56) **References Cited**

U.S. PATENT DOCUMENTS

5,070,429 A * 12/1991 Skirpan H02B 1/52
361/641

D340,040 S * 10/1993 Gifford D14/365

D358,753 S * 5/1995 Yoshida D13/123

D365,082 S * 12/1995 Cook, II D13/110
D409,139 S * 5/1999 Cornell D13/107
D410,624 S * 6/1999 Loh D13/110
D449,817 S * 10/2001 Takeuchi D13/110
D514,518 S * 2/2006 Strayer D13/139.4
D541,743 S * 5/2007 Virolainen D13/110
7,848,085 B2 * 12/2010 Gerber H02B 1/52
174/50.52
8,427,815 B2 * 4/2013 Fontana H02B 1/20
361/601
D682,212 S * 5/2013 Udagawa D13/139.4
D689,024 S * 9/2013 Takata D13/152
D756,943 S * 5/2016 Epstein D13/184
2015/0116937 A1 * 4/2015 Huesgen H05K 5/0091
361/696

* cited by examiner

Primary Examiner — Rhea Shields

(57) **CLAIM**

The ornamental design for an electrical switch, as shown and described.

DESCRIPTION

1.1 is a top front perspective view;

1.2 is a bottom plan view;

1.3 is a rear view;

1.4 is a front view;

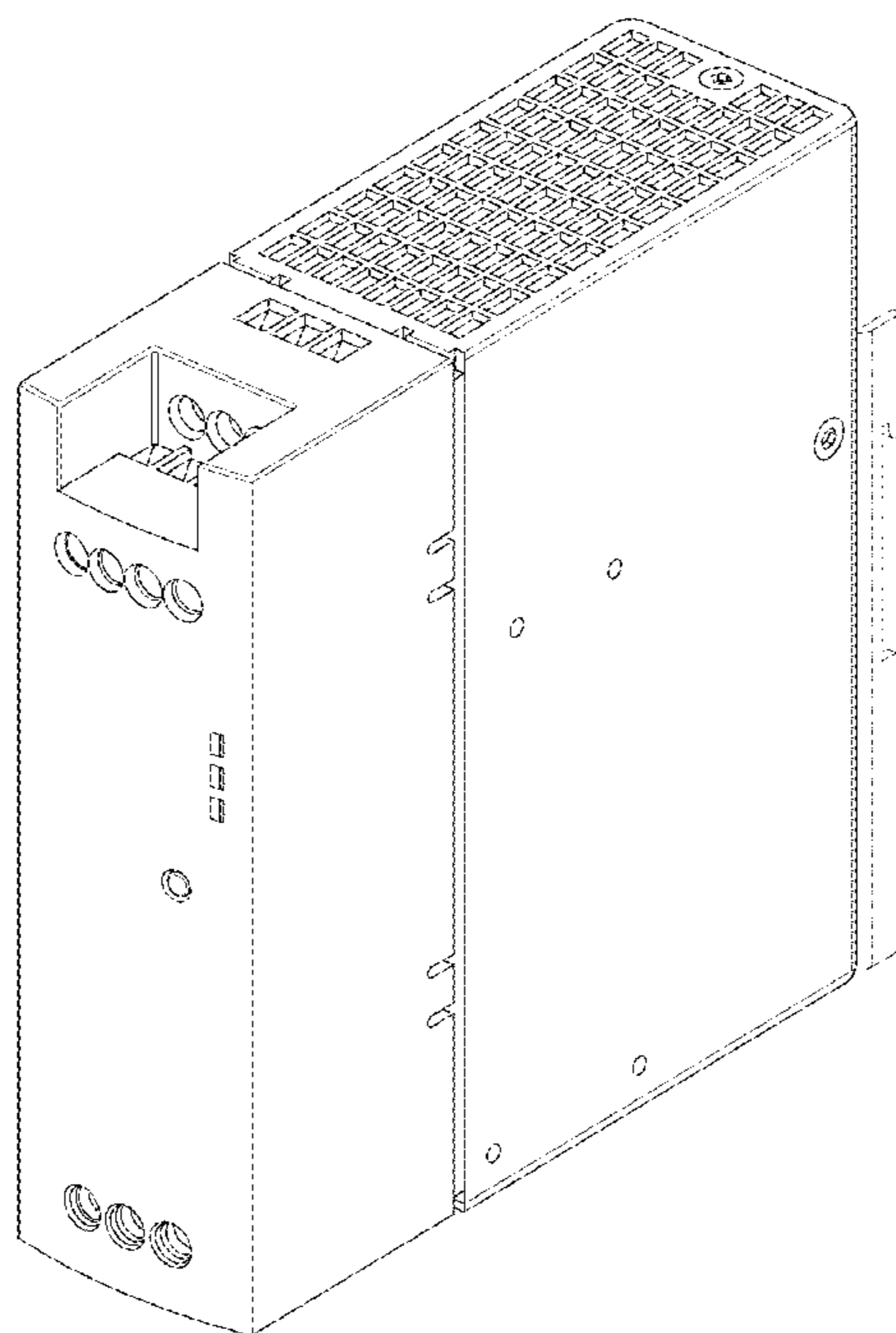
1.5 is a left side view;

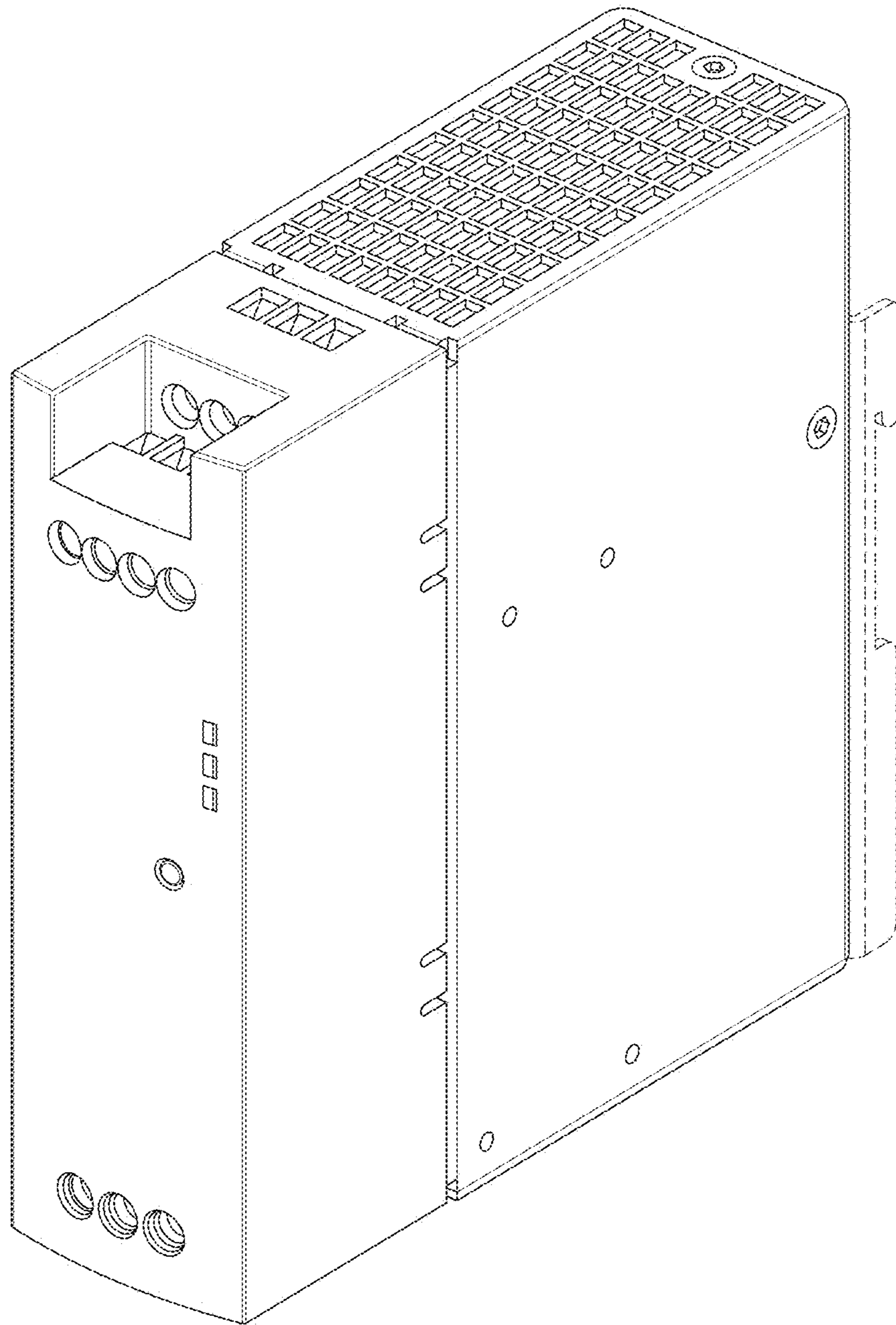
1.6 is a right side view; and

1.7 is a top plan view.

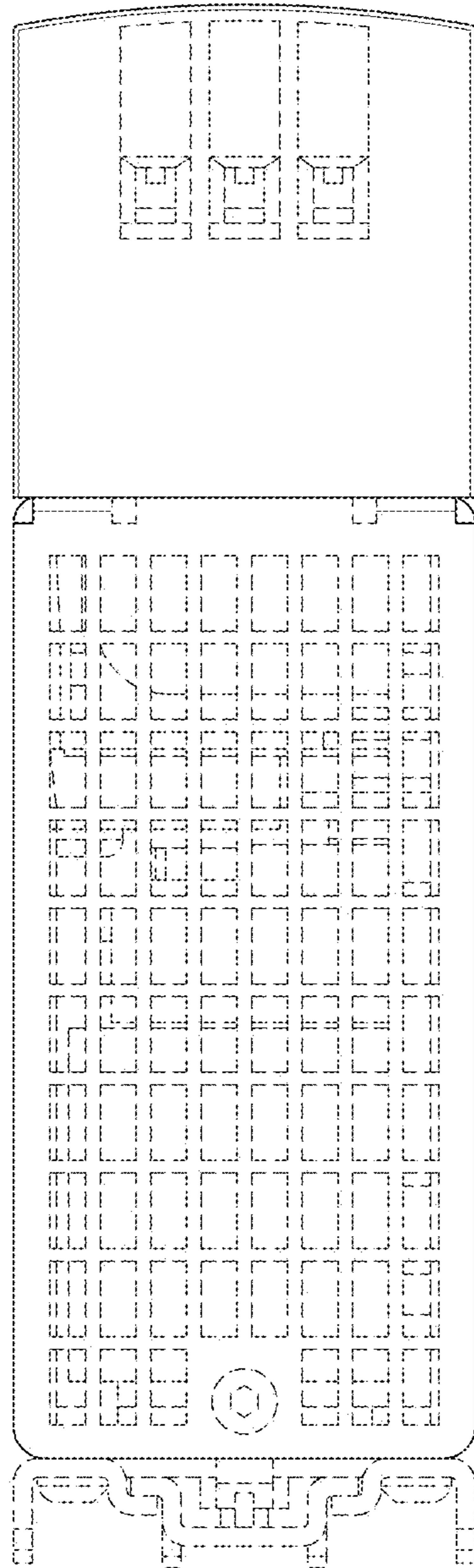
In the drawings, the broken lines are for the purpose of illustrating environment only and form no part of the claimed design.

1 Claim, 7 Drawing Sheets

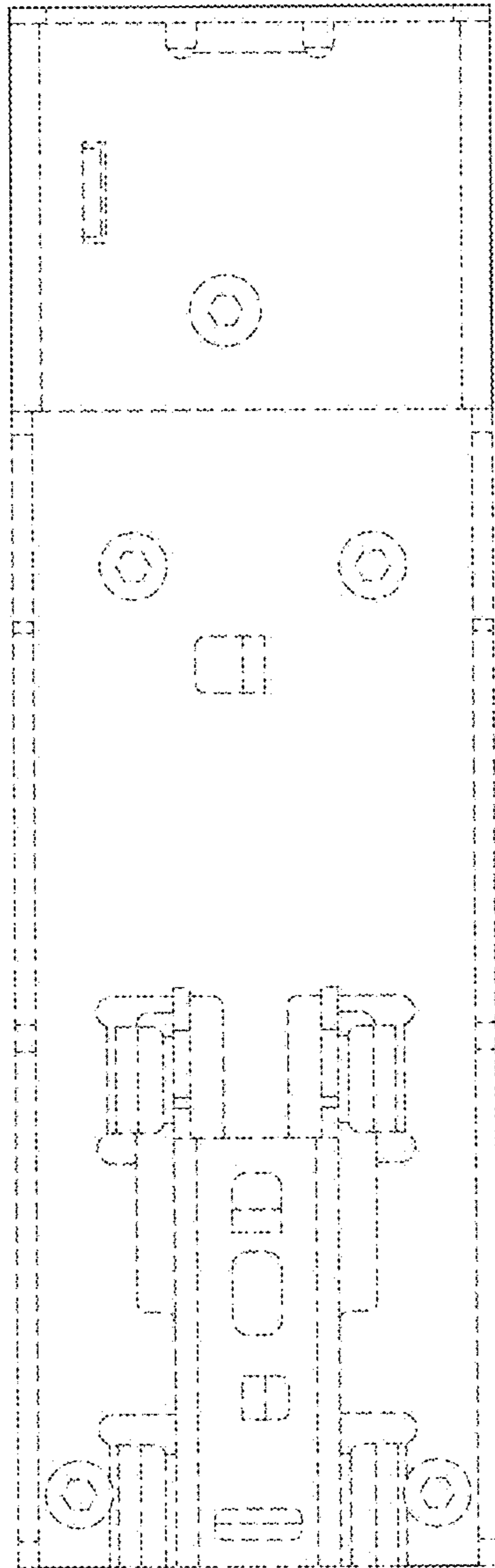




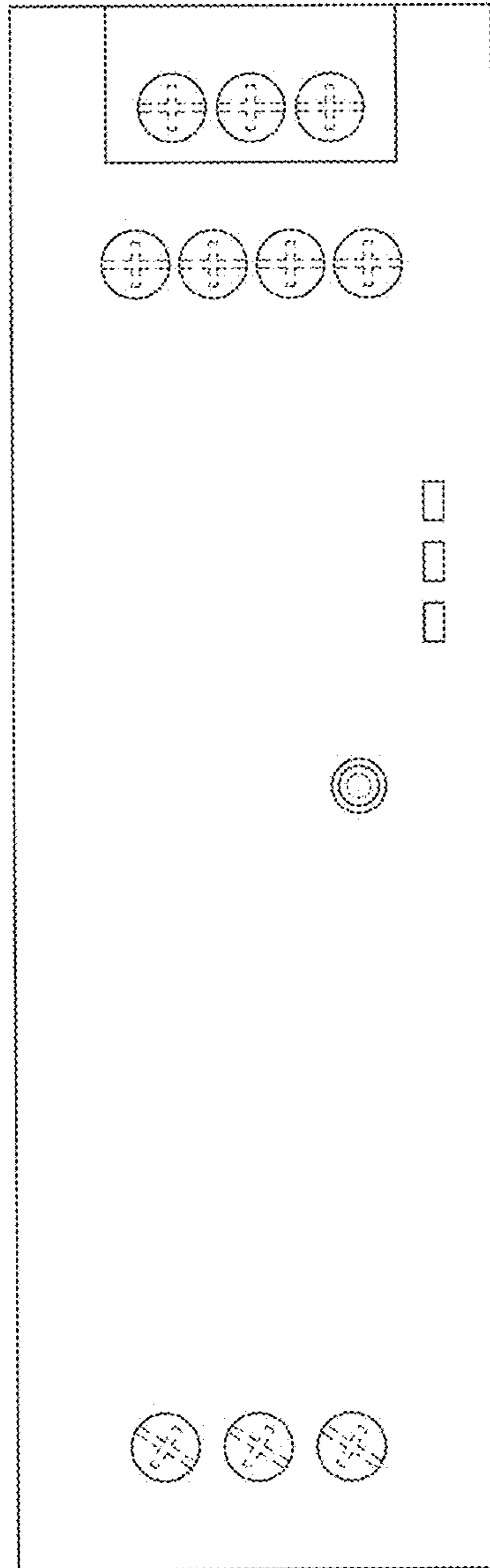
1.1



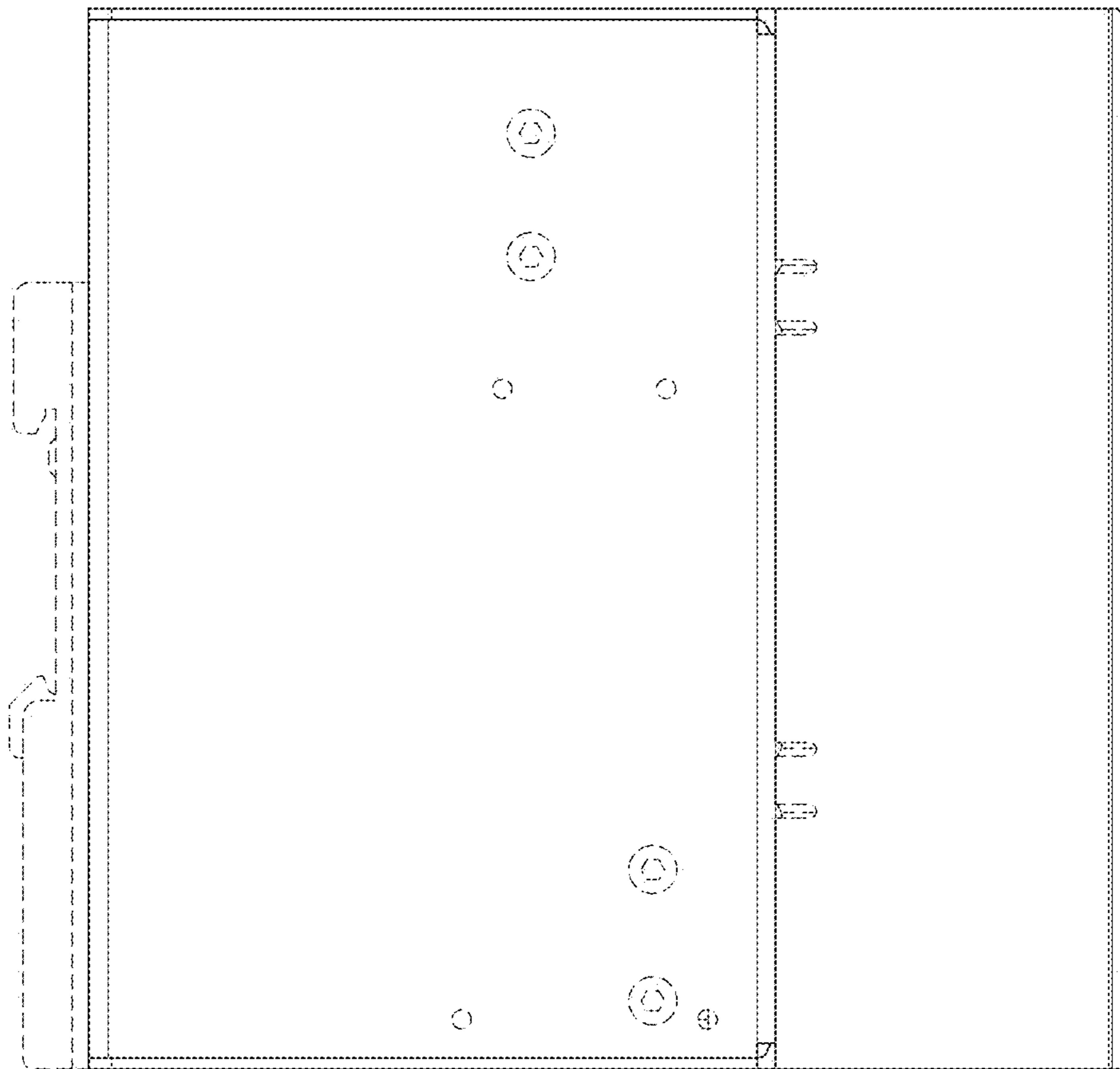
1.2



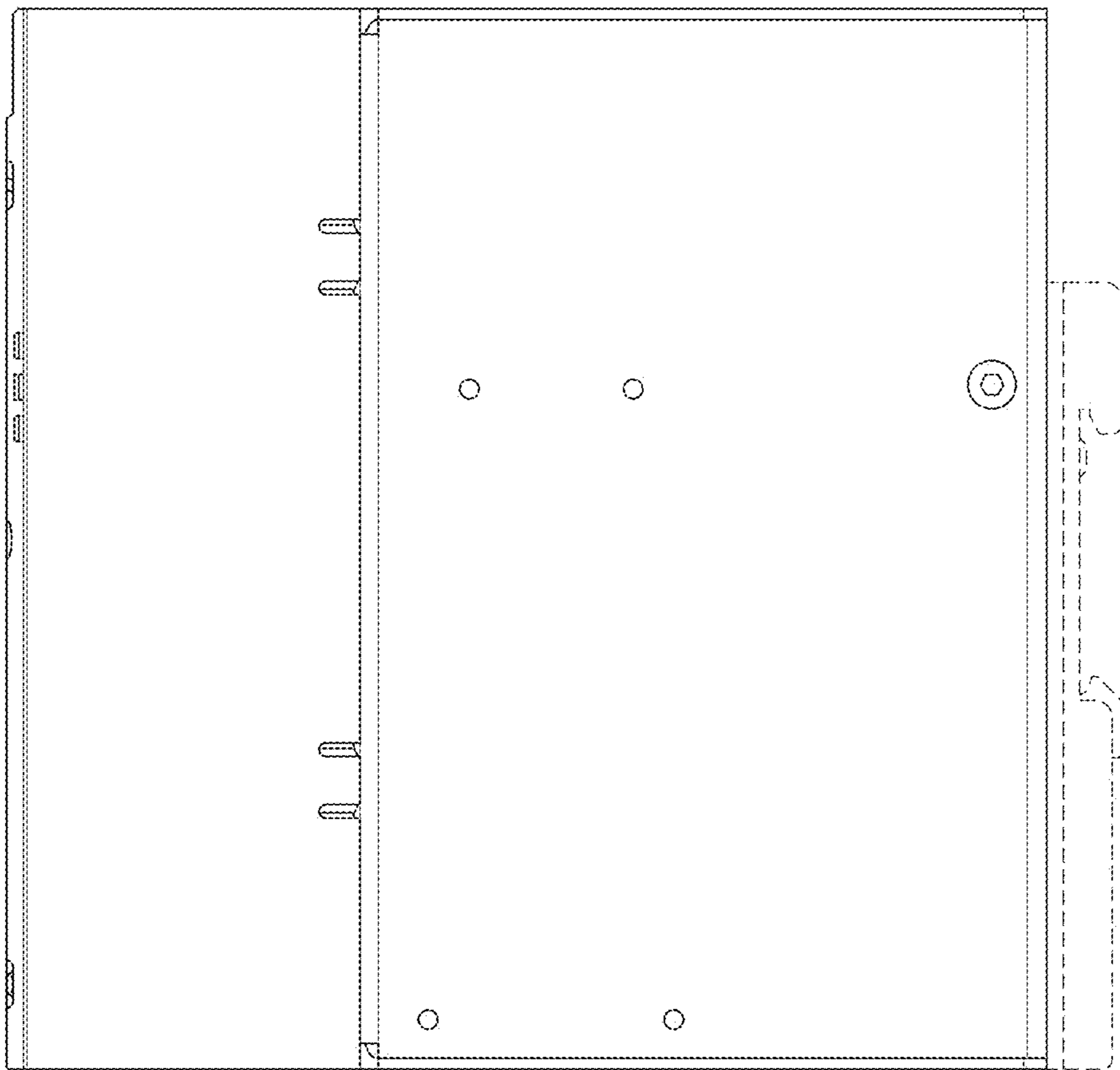
1.3



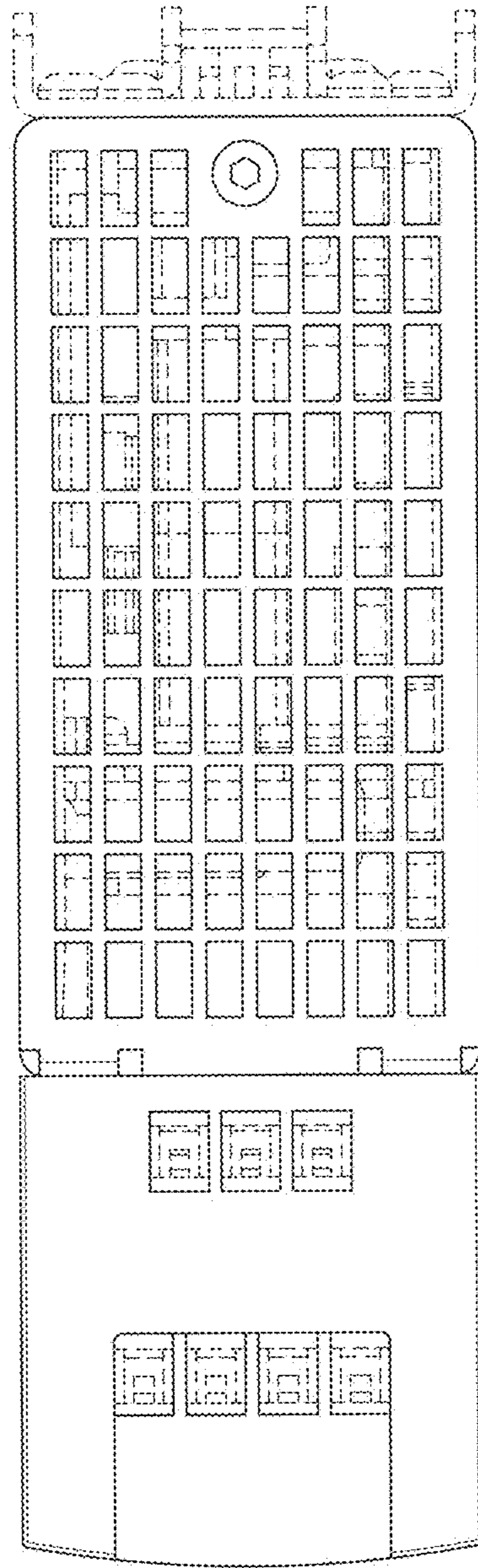
1.4



1.5



1.6



1.7