



US00D844566S

(12) **United States Design Patent** (10) **Patent No.:** **US D844,566 S**  
**Yu** (45) **Date of Patent:** **\*\* Apr. 2, 2019**

(54) **ELECTRICAL SOCKET WITH USB CHARGING**  
(71) Applicant: **NINGBO WELL ELECTRIC APPLANCE CO., LTD.,** Ningbo (CN)

(72) Inventor: **Guolin Yu,** Ningbo (CN)  
(73) Assignee: **NINGBO WELL ELECTRIC APPLANCE CO., LTD.,** Ningbo (CN)

(\*\*) Term: **15 Years**

(21) Appl. No.: **29/601,499**

(22) Filed: **Apr. 23, 2017**

(51) **LOC (11) Cl.** ..... **13-03**

(52) **U.S. Cl.**  
USPC ..... **D13/139.7**

(58) **Field of Classification Search**  
USPC ..... D13/137.2, 137.4, 138.1, 138.2,  
D13/139.1–139.8

CPC ..... H01R 25/00; H01R 4/48; H01R 33/76;  
H01R 29/00; H01R 24/00; H02G 3/14  
See application file for complete search history.

(56) **References Cited**

**U.S. PATENT DOCUMENTS**

5,700,150 A \* 12/1997 Morin ..... H01R 13/72  
191/12.4  
6,077,109 A \* 6/2000 Prazoff ..... H01R 13/72  
191/12.4  
D432,499 S \* 10/2000 Stekelenburg ..... D13/139.6  
D443,590 S \* 6/2001 Vende ..... D13/137.4  
D448,730 S \* 10/2001 Lee ..... D13/137.4  
D459,307 S \* 6/2002 Nieto ..... D13/139.8  
D481,009 S \* 10/2003 Stekelenburg ..... D13/137.4  
D481,357 S \* 10/2003 Stekelenburg ..... D13/139.8  
7,112,097 B1 \* 9/2006 Lam ..... H01R 25/003  
439/654  
D794,029 S \* 8/2017 Lin ..... D14/433

D796,442 S \* 9/2017 Xu ..... D13/139.6  
2009/0156061 A1 \* 6/2009 Bernstein ..... H01R 13/652  
439/652  
2014/0220813 A1 \* 8/2014 Nguyen ..... H01R 43/26  
439/445

**OTHER PUBLICATIONS**

“Power Tap Grommet” Found online Mar. 28, 2018 at www.amazon.com. Page Dated Feb. 2, 2013. Retrieved from https://www.amazon.com/Power-Tap-Grommet-Hidden-Center/dp/B009W2LB46.\*

“Poweradd 5-Outlet Surge Protector”. Found online Mar. 28, 2018 at www.amazon.com. Page dated Nov. 28, 2017. Retrieved from https://www.amazon.com/Poweradd-5-Outlet-Protector-Type-C-Retractable/dp/B074MPZ21B/ref=sr\_1\_5?s=hi&ie=UTF8&qid=1525120398&sr=1-5&keywords=Poweradd&dpID=41UE6vPocaL&preST=\_SY300\_QL70\_&dpSrc=srch.\*

\* cited by examiner

*Primary Examiner* — Brandon M Rosati

*Assistant Examiner* — Kendra Leslie Hamilton

(74) *Attorney, Agent, or Firm* — Hemisphere Law, PLLC; Zhigang Ma

(57) **CLAIM**

The ornamental design for an electrical socket with USB charging, as shown and described.

**DESCRIPTION**

FIG. 1 is a perspective view of an electrical socket with USB charging, showing my new design;

FIG. 2 is a front view thereof;

FIG. 3 is a rear view thereof;

FIG. 4 is a left side view thereof;

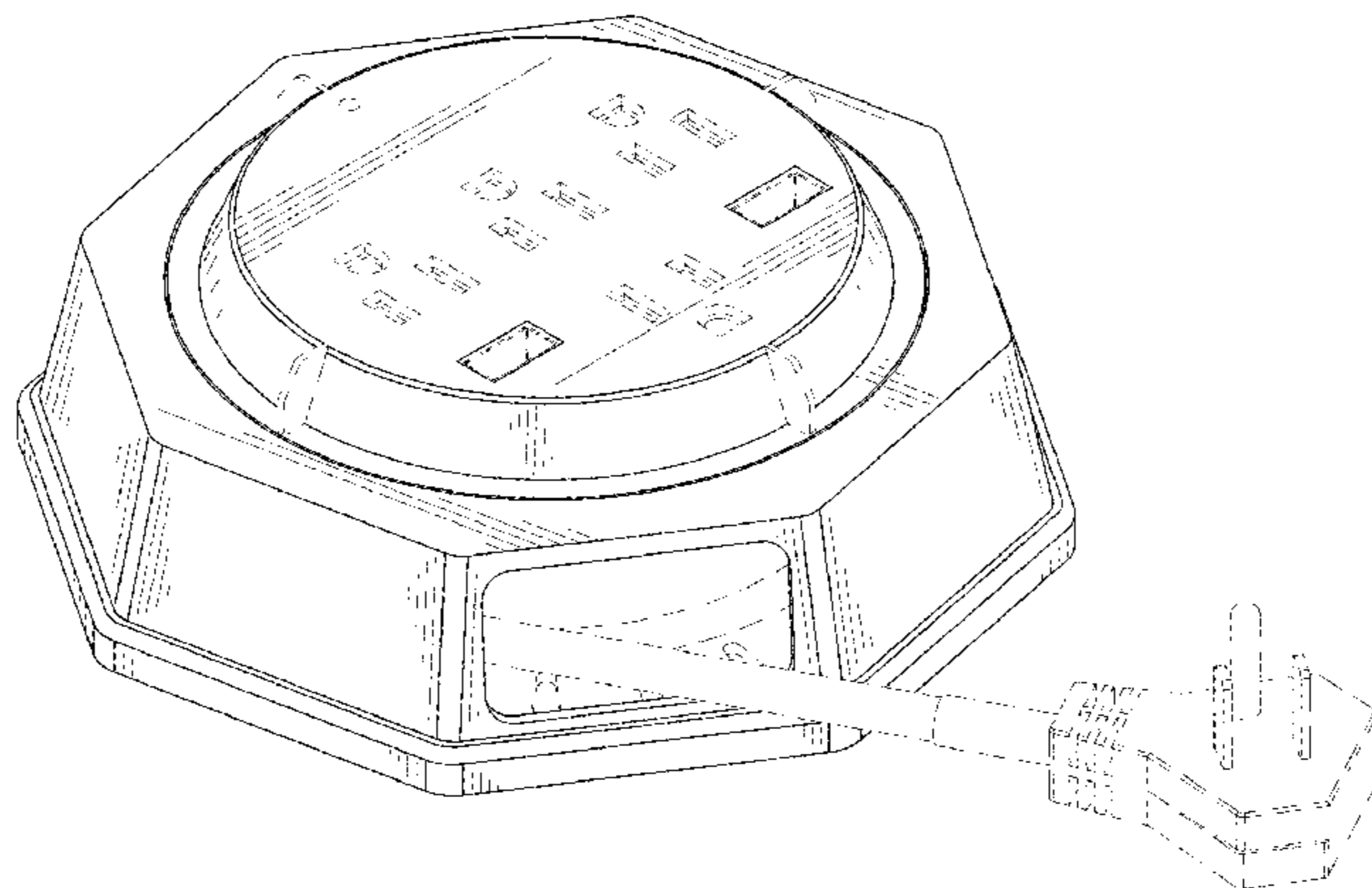
FIG. 5 is a right side view thereof;

FIG. 6 is a top plan view thereof; and,

FIG. 7 is a bottom plan view thereof.

The broken line shown are included for the purpose of illustrating portions of the electrical socket with USB charging which form no part of the claimed design.

**1 Claim, 7 Drawing Sheets**



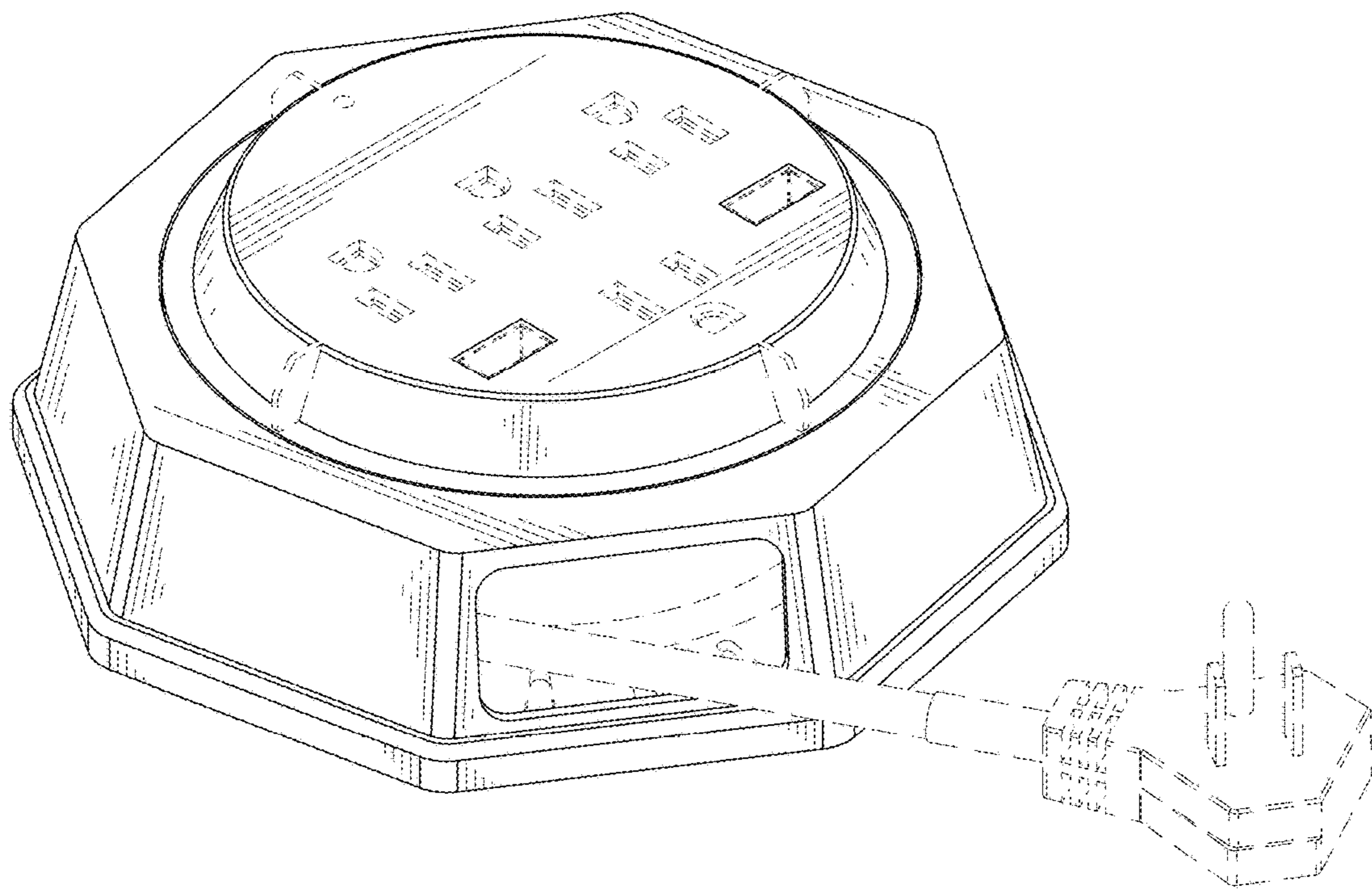


FIG. 1

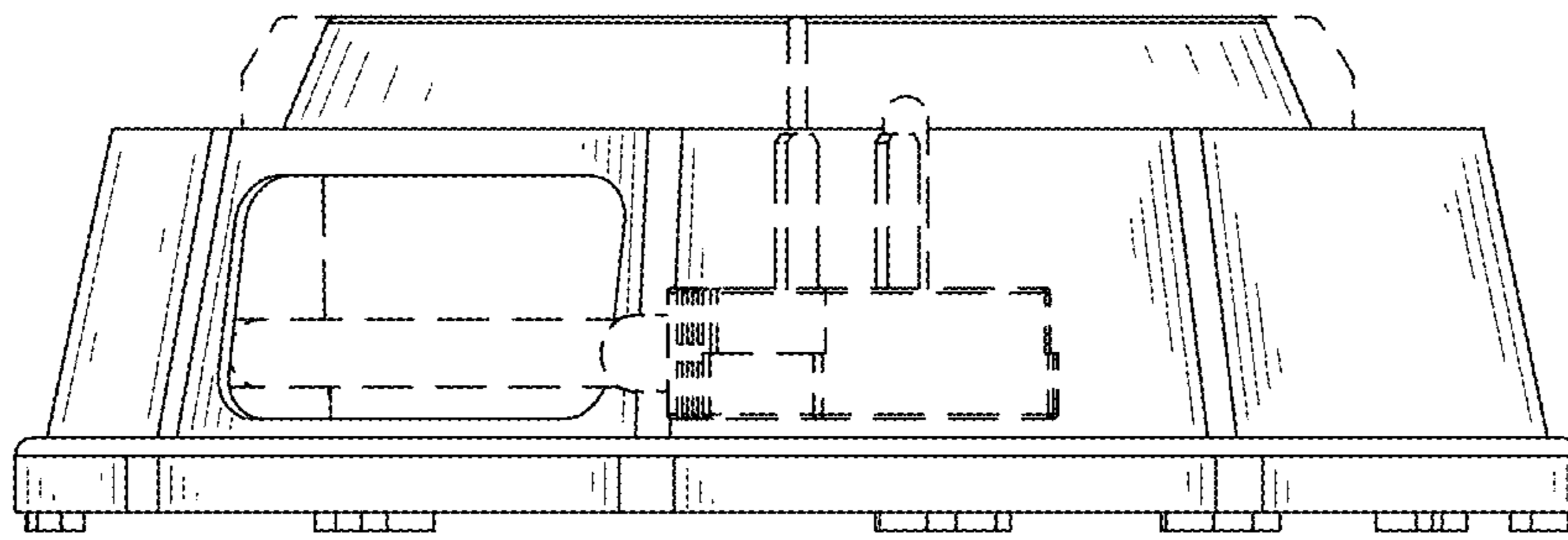


FIG. 2

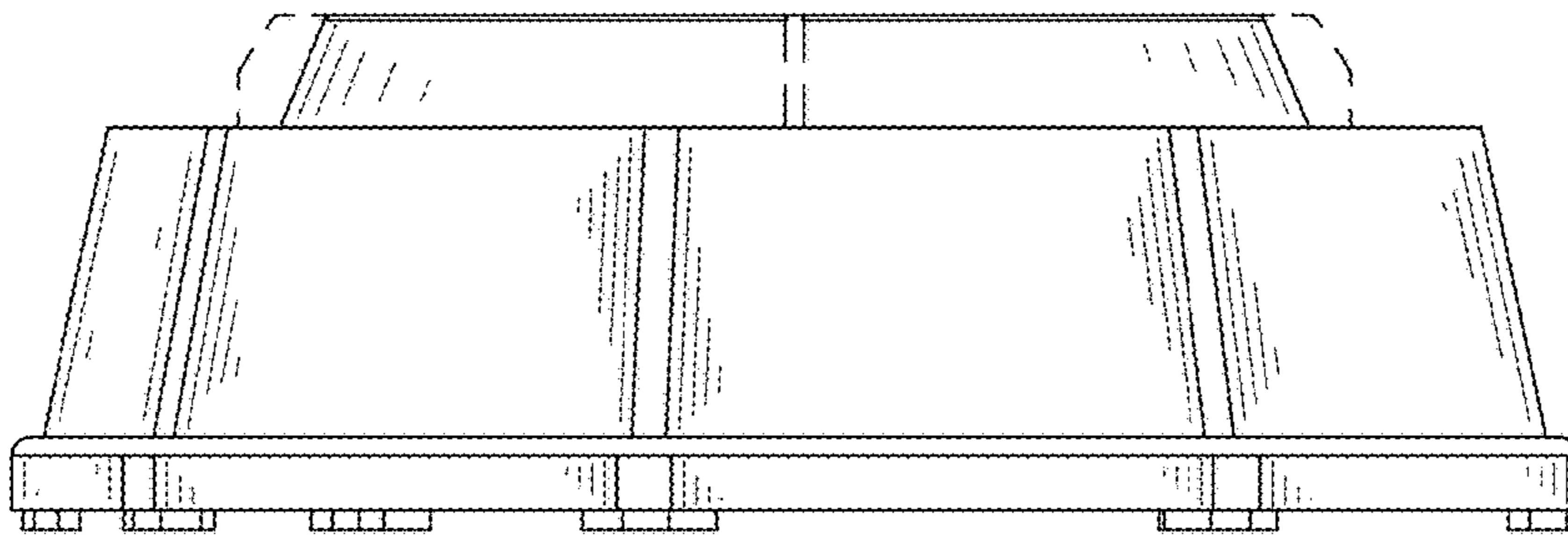


FIG. 3

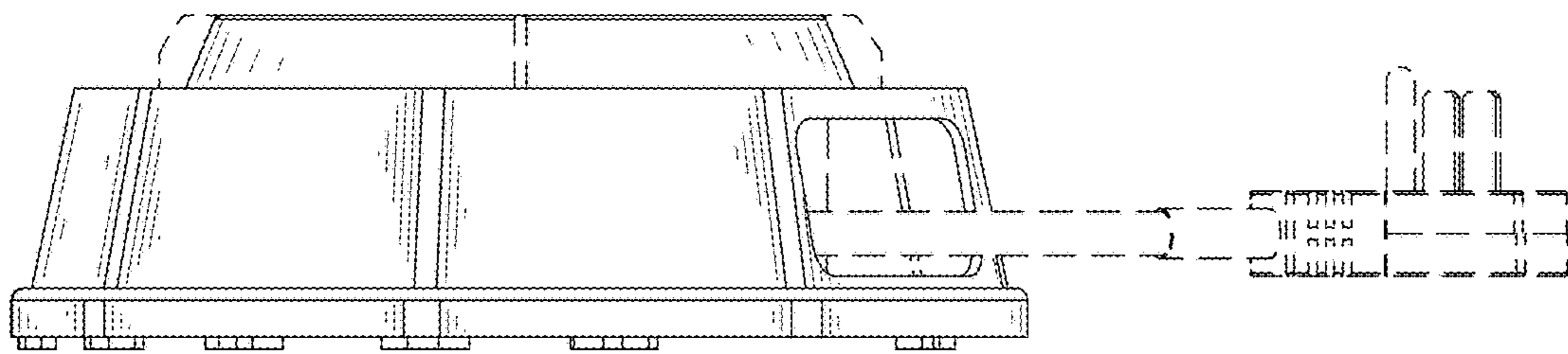


FIG. 4

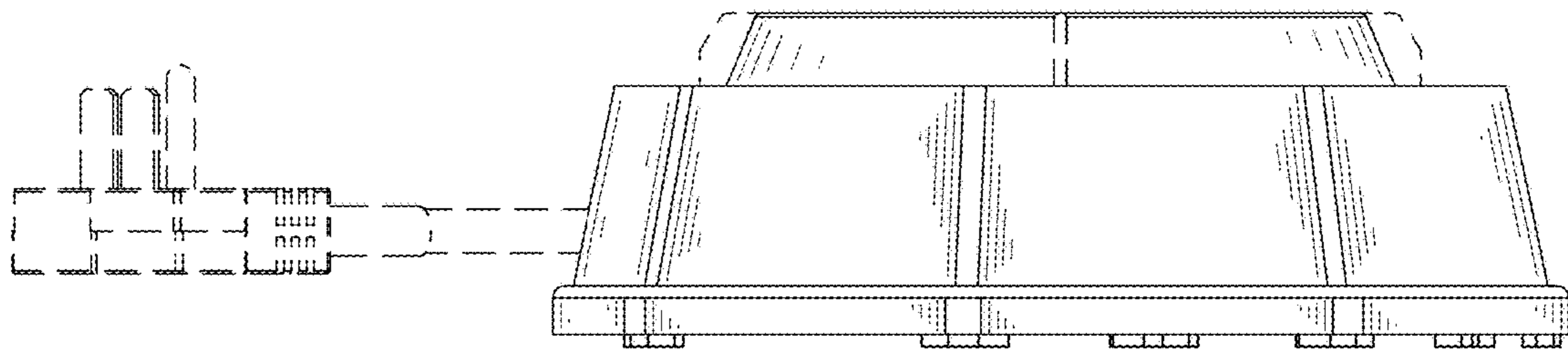


FIG. 5



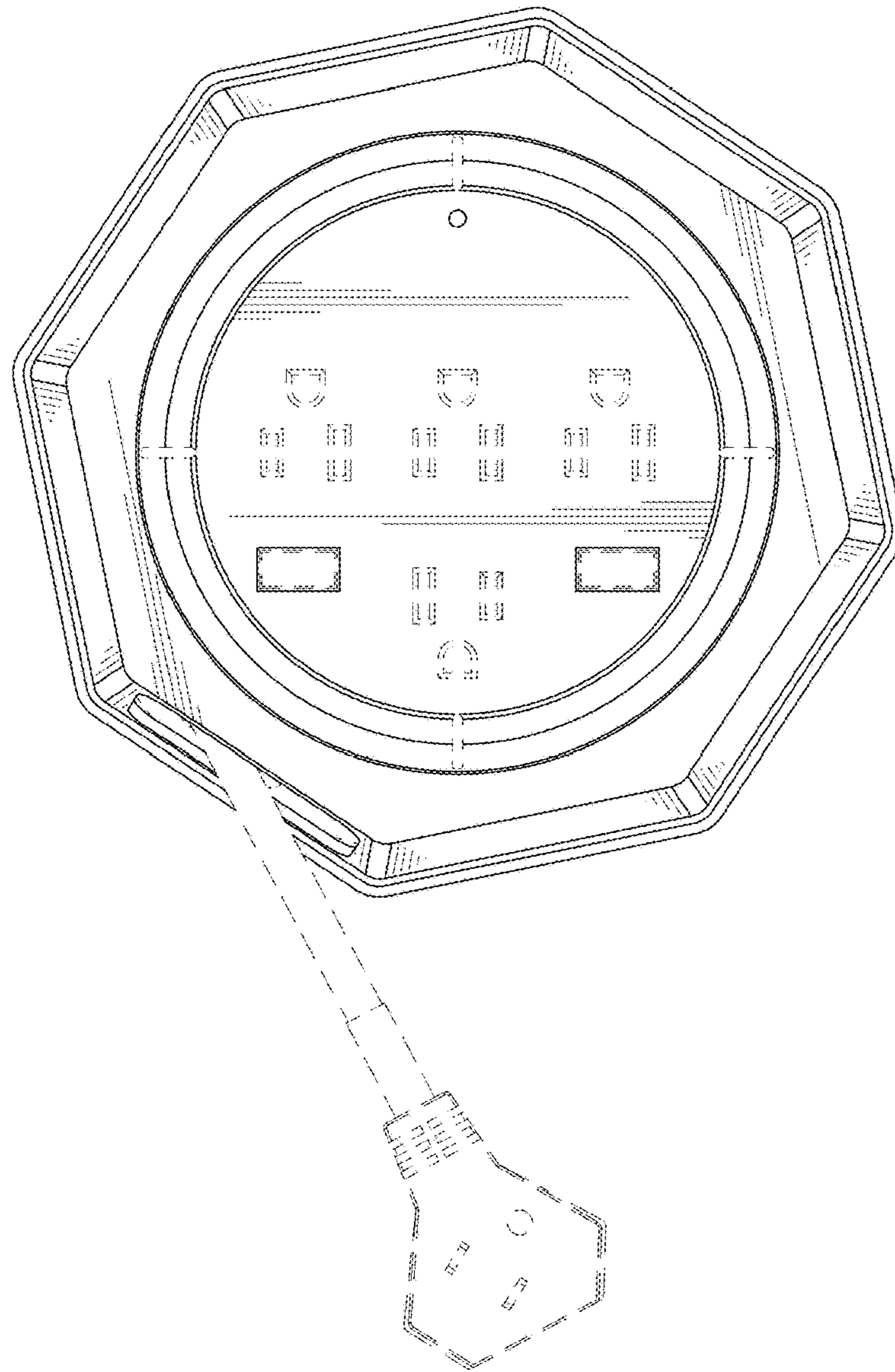


FIG. 6

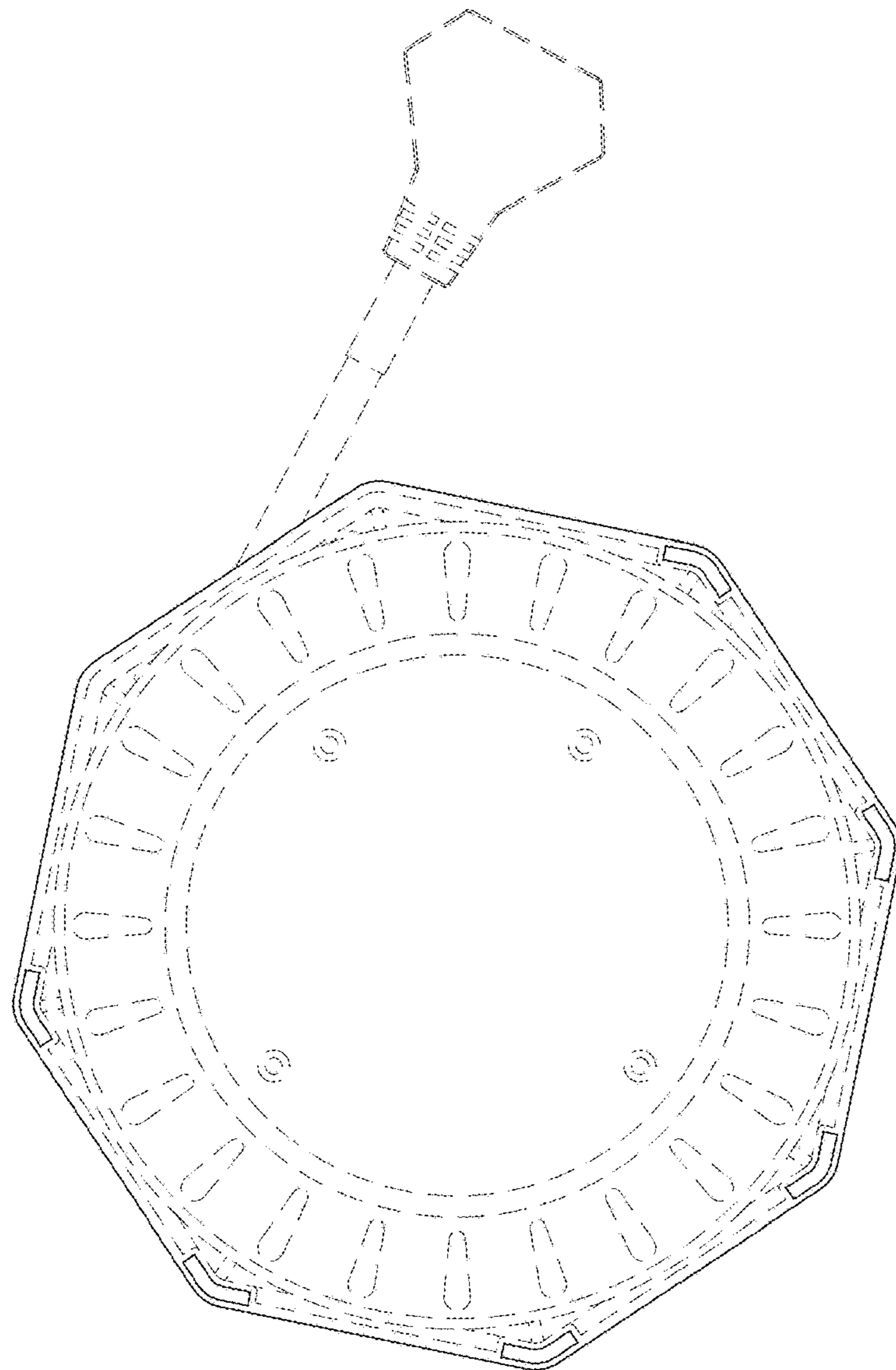


FIG. 7