



US00D844565S

(12) **United States Design Patent** (10) **Patent No.:** **US D844,565 S**  
**Yu** (45) **Date of Patent:** **\*\* Apr. 2, 2019**

(54) **ELECTRICAL SOCKET**  
(71) Applicant: **NINGBO WELL ELECTRIC APPLIANCE CO., LTD.**, Ningbo (CN)

D810,017 S \* 2/2018 Short ..... D13/108  
2008/0088995 A1 \* 4/2008 Yang ..... H01R 13/6675  
361/78  
2015/0079810 A1 \* 3/2015 Brookshire ..... H01R 35/04  
439/31

(72) Inventor: **Guolin Yu**, Ningbo (CN)  
(73) Assignee: **NINGBO WELL ELECTRIC APPLIANCE CO., LTD.**, Ningbo (CN)

**OTHER PUBLICATIONS**

(\*\*) Term: **15 Years**

“100 ft. Indoor, Outdoor Lighted Extension Cord.” Found online Mar. 29, 2018 at [www.grainger.com](http://www.grainger.com). Page date Sep. 26, 2013. Retrieved from [www.https://www.grainger.com/product/4GAD5?cm\\_mmc=PPC:+Google+PLA&s\\_kwid=AL!2966!3!166591472838!!!g!81031859877!&ef\\_id=WpXGugAABrw9dQL3:20180330164248:s.\\*](https://www.grainger.com/product/4GAD5?cm_mmc=PPC:+Google+PLA&s_kwid=AL!2966!3!166591472838!!!g!81031859877!&ef_id=WpXGugAABrw9dQL3:20180330164248:s.*)  
“Six Outlet 4 Conductor Adapter Cord.” Found online Mar. 29, 2018 at [www.nbwell.com](http://www.nbwell.com). Page date n/a. Retrieved from [http://www.nbwell.com/products\\_detail.aspx?pid=526&id=939&page=5.\\*](http://www.nbwell.com/products_detail.aspx?pid=526&id=939&page=5.*)

(21) Appl. No.: **29/601,498**

(22) Filed: **Apr. 23, 2017**

(51) **LOC (11) Cl.** ..... **13-03**

(52) **U.S. Cl.**  
USPC ..... **D13/139.7**

(58) **Field of Classification Search**  
USPC ..... D13/137.2, 137.4, 138.1, 138.2, D13/139.1–139.8  
CPC ..... H01R 25/00; H01R 4/48; H01R 33/76; H01R 29/00; H01R 24/00; H02G 3/14  
See application file for complete search history.

\* cited by examiner

*Primary Examiner* — Rhea Shields  
(74) *Attorney, Agent, or Firm* — Hemisphere Law, PLLC; Zhigang Ma

(57) **CLAIM**

The ornamental design for an electrical socket, as shown and described.

(56) **References Cited**

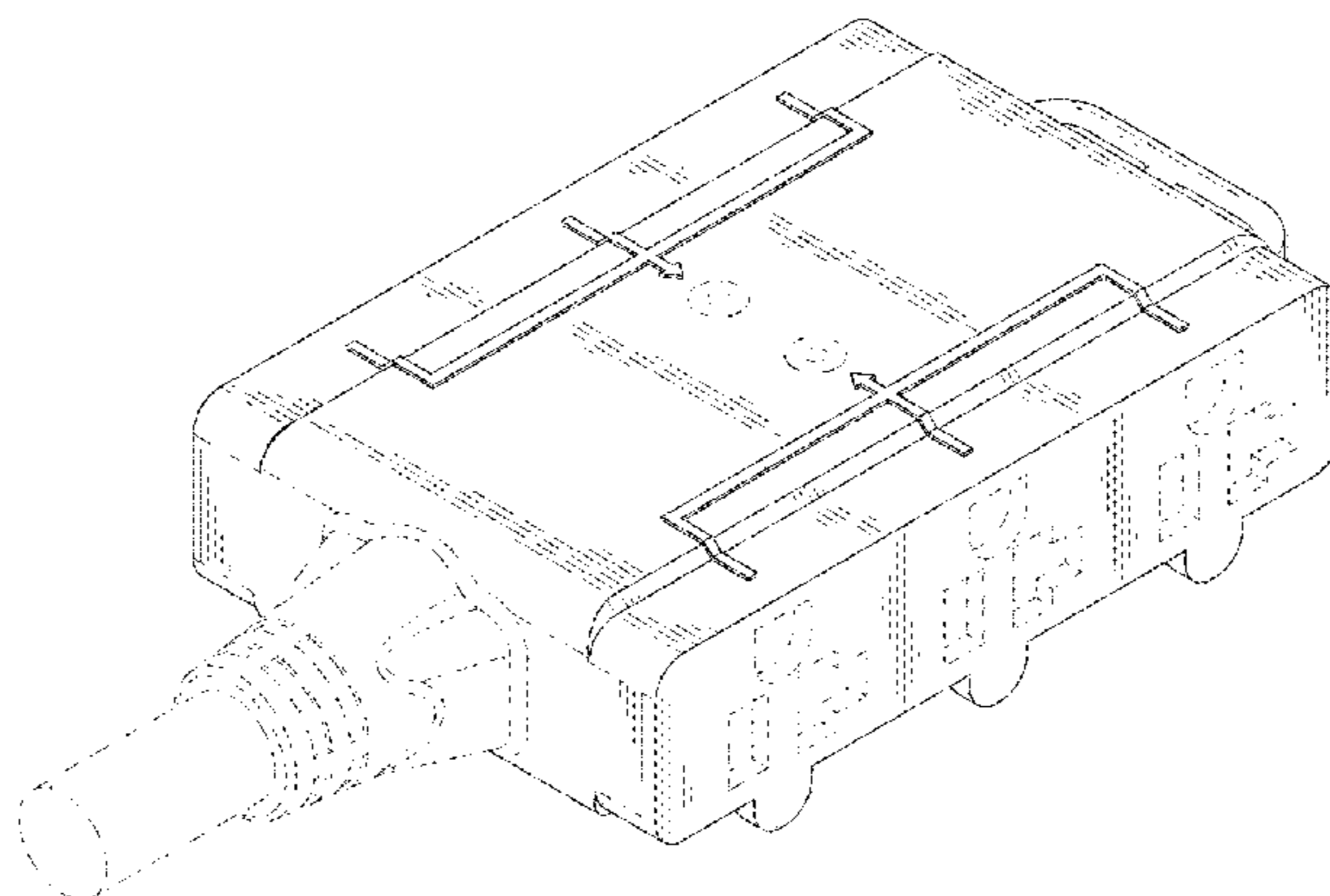
**DESCRIPTION**

**U.S. PATENT DOCUMENTS**

4,323,723 A \* 4/1982 Fork ..... H02G 3/185  
174/484  
D367,037 S \* 2/1996 Fladung ..... D13/137.2  
D367,038 S \* 2/1996 Fladung ..... D13/137.2  
D370,460 S \* 6/1996 Boesel ..... D13/137.2  
D381,316 S \* 7/1997 Yu ..... D13/139.8  
D594,823 S \* 6/2009 Ho’o ..... D13/139.1  
D612,333 S \* 3/2010 Wu ..... D13/139.1  
D642,529 S \* 8/2011 Su ..... D13/137.2  
8,118,616 B1 \* 2/2012 Clark ..... H01R 25/006  
439/640  
D686,993 S \* 7/2013 Millar-Sax ..... D13/137.2  
D765,033 S \* 8/2016 Oosterman ..... D13/139.1  
9,762,056 B1 \* 9/2017 Miller ..... H02J 3/00

FIG. 1 is a perspective view of an electrical socket, showing my new design;  
FIG. 2 is another perspective view thereof;  
FIG. 3 is a rear view thereof;  
FIG. 4 is a front view thereof;  
FIG. 5 is a left side view thereof;  
FIG. 6 is a right side view thereof;  
FIG. 7 is a top plan view thereof; and,  
FIG. 8 is a bottom plan view thereof.  
The broken line shown are included for the purpose of illustrating portions of the electrical socket which form no part of the claimed design.

**1 Claim, 8 Drawing Sheets**



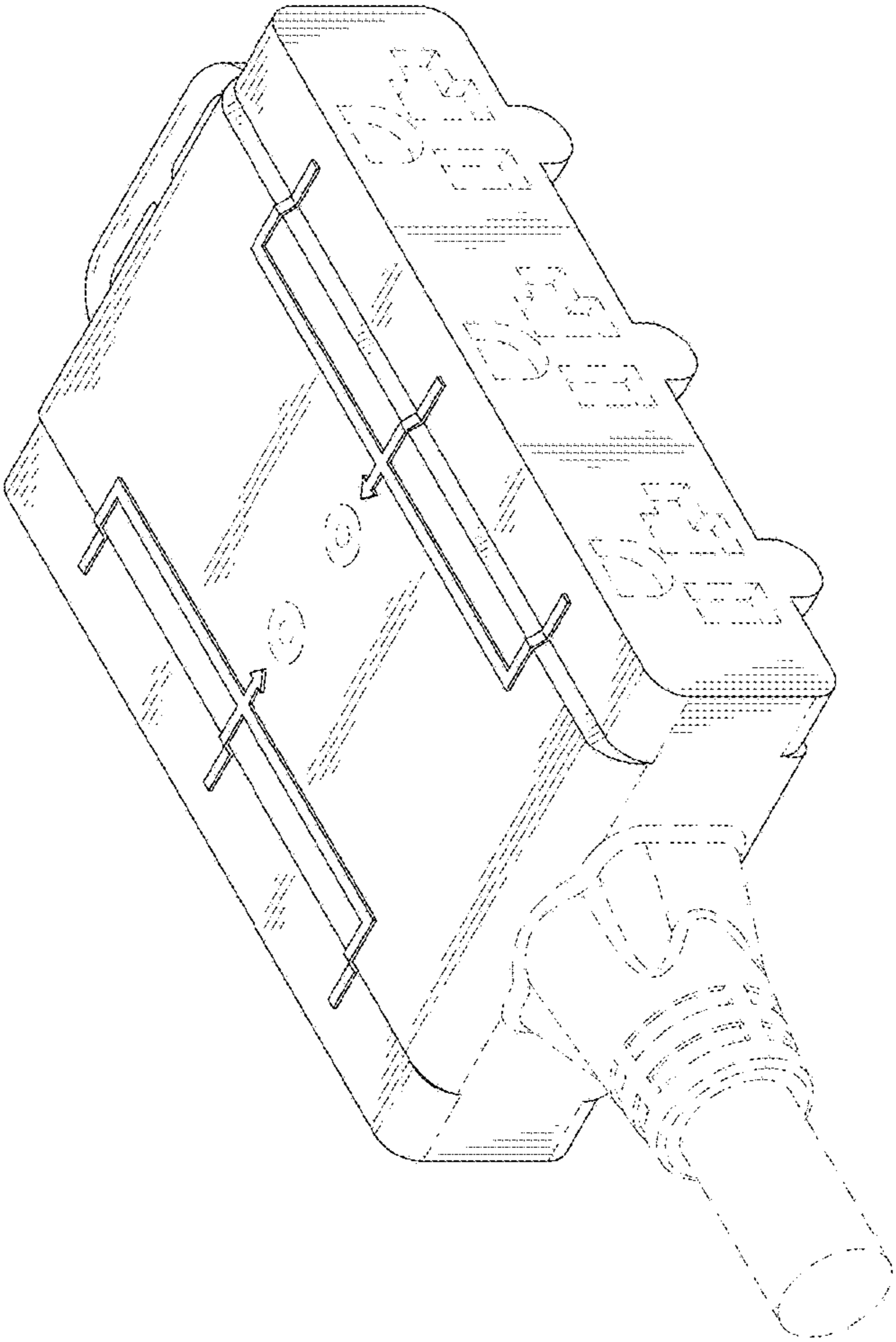


FIG. 1

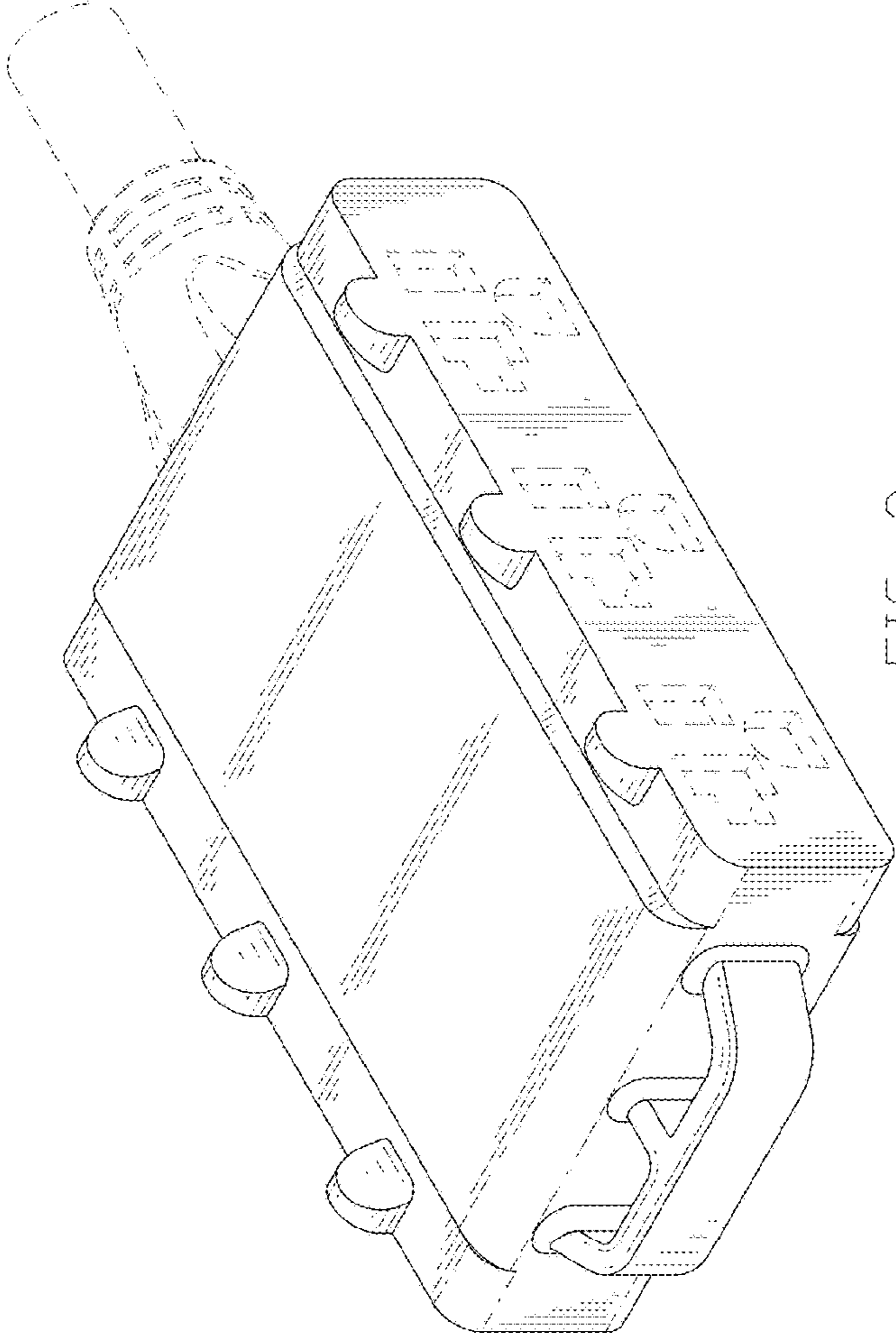


FIG. 2

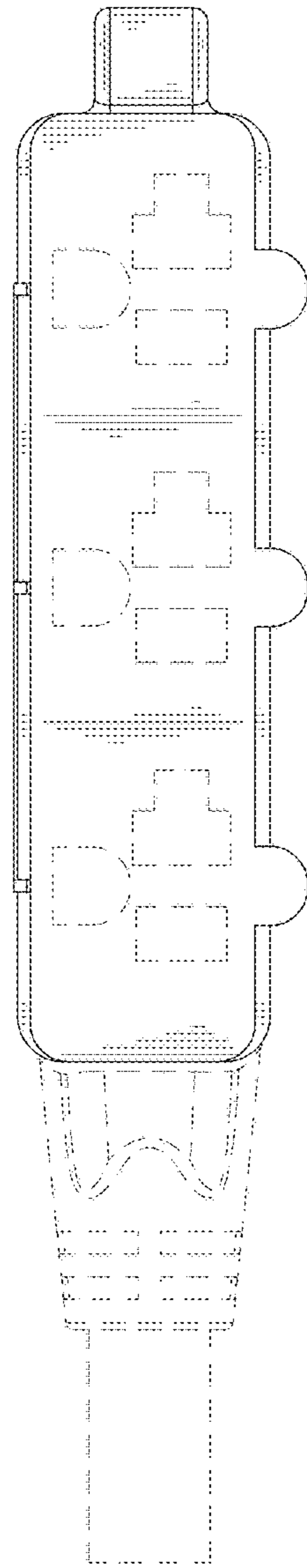


FIG. 3

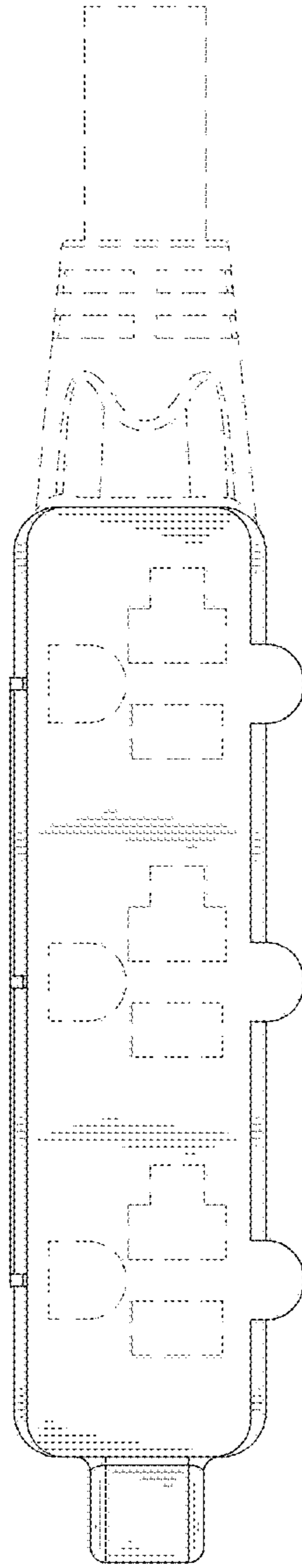


FIG. 4

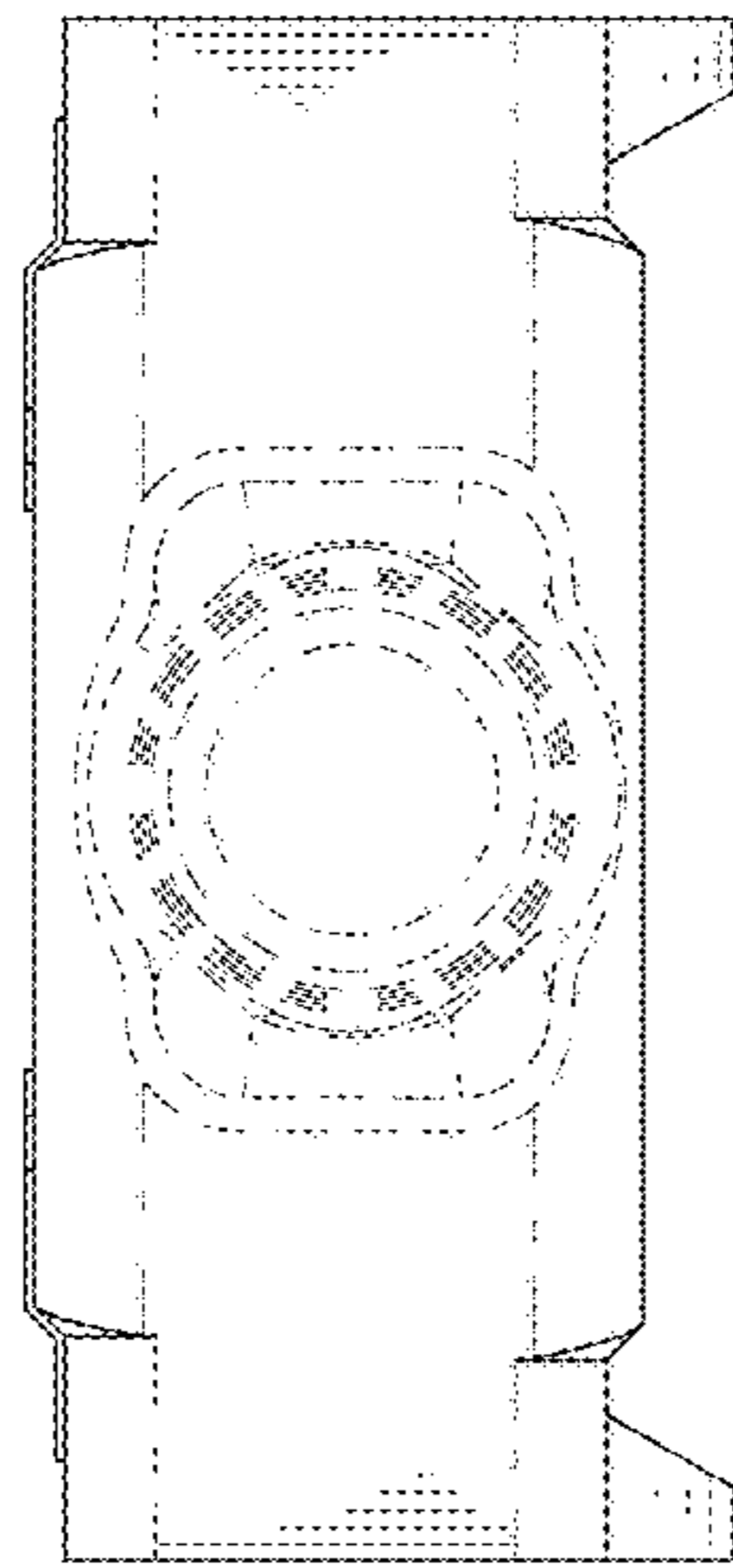


FIG. 5

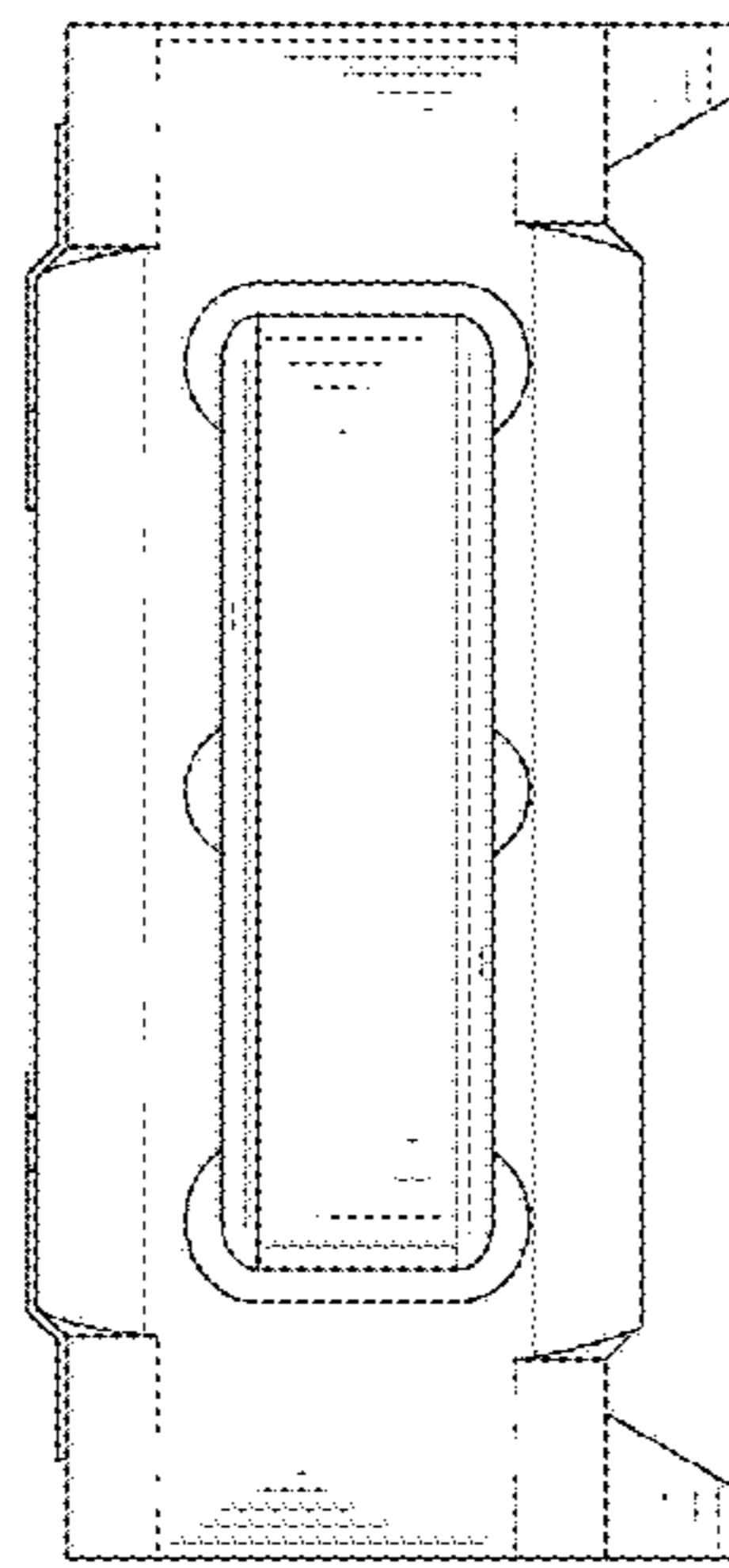


FIG. 6

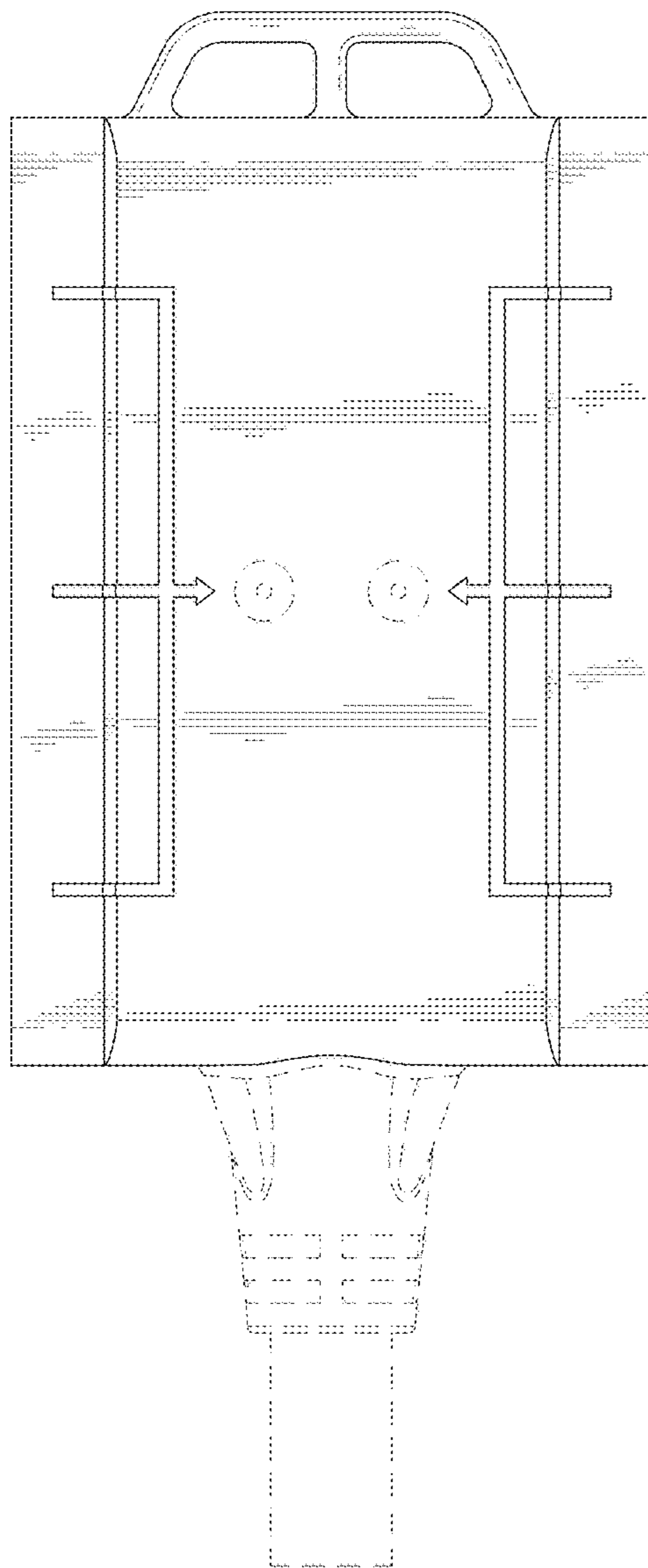


FIG. 7



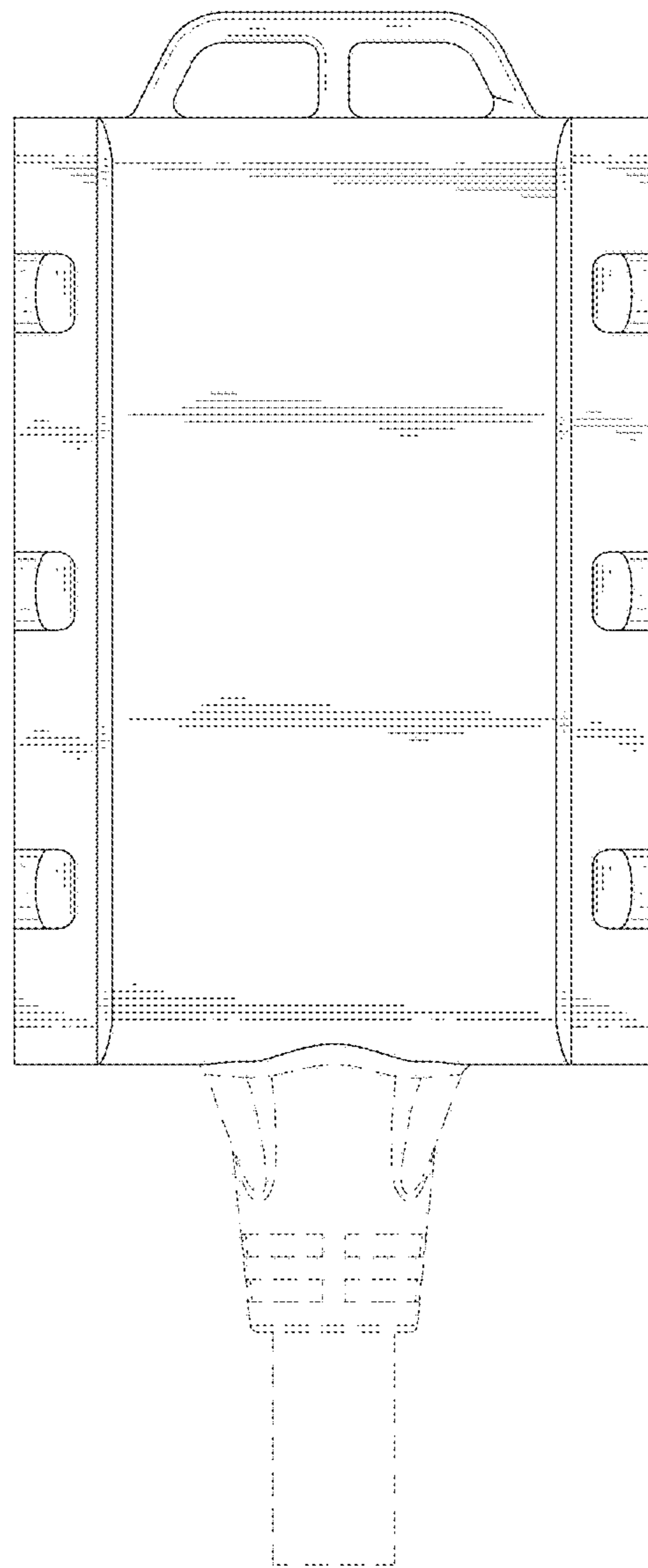


FIG. 8