



US00D844561S

(12) **United States Design Patent** (10) **Patent No.:** **US D844,561 S**
Gou (45) **Date of Patent:** **** Apr. 2, 2019**

(54) **SWITCHING POWER SUPPLY**

(56) **References Cited**

(71) Applicant: **Guangzhou Yihua Electronic Equipment Co., Ltd.**, Guangzhou, Guangdong (CN)

U.S. PATENT DOCUMENTS

(72) Inventor: **Mingkang Gou**, Guangdong (CN)

D208,305 S *	8/1967	Dubin et al.	D10/80
D214,836 S *	8/1969	Gamble et al.	D13/110
D221,957 S *	9/1971	Smyth	D10/78
D442,546 S *	5/2001	Park	D13/110
D484,850 S *	1/2004	Johnson	D13/103
D491,523 S *	6/2004	Chi	D13/110
D620,886 S *	8/2010	Flattinger	D13/110
D656,525 S *	3/2012	Mochizuki	D15/144.2
D680,060 S *	4/2013	Gago	D13/102
D762,254 S *	7/2016	Kita	D15/144.2
D762,754 S *	8/2016	Kita	D15/144.2
D780,241 S *	2/2017	Teraoka	D15/144.2
D829,790 S *	10/2018	Gou	D15/144

(73) Assignee: **GUANGZHOU YIHUA ELECTRONIC EQUIPMENT CO., LTD.**, Guangzhou, Guangdong (CN)

(**) Term: **15 Years**

(21) Appl. No.: **29/606,251**

* cited by examiner

(22) Filed: **Jun. 2, 2017**

Primary Examiner — Rosemary K Tarcza
Assistant Examiner — Nathaniel D. Buckner

(30) **Foreign Application Priority Data**

(74) *Attorney, Agent, or Firm* — Lucas & Mercanti, LLP

Dec. 8, 2016 (EM) 003507268-0012

(51) **LOC (11) Cl.** **13-02**

(57) **CLAIM**

The ornamental design for a switching power supply, as shown and described.

(52) **U.S. Cl.**
USPC **D13/110**

DESCRIPTION

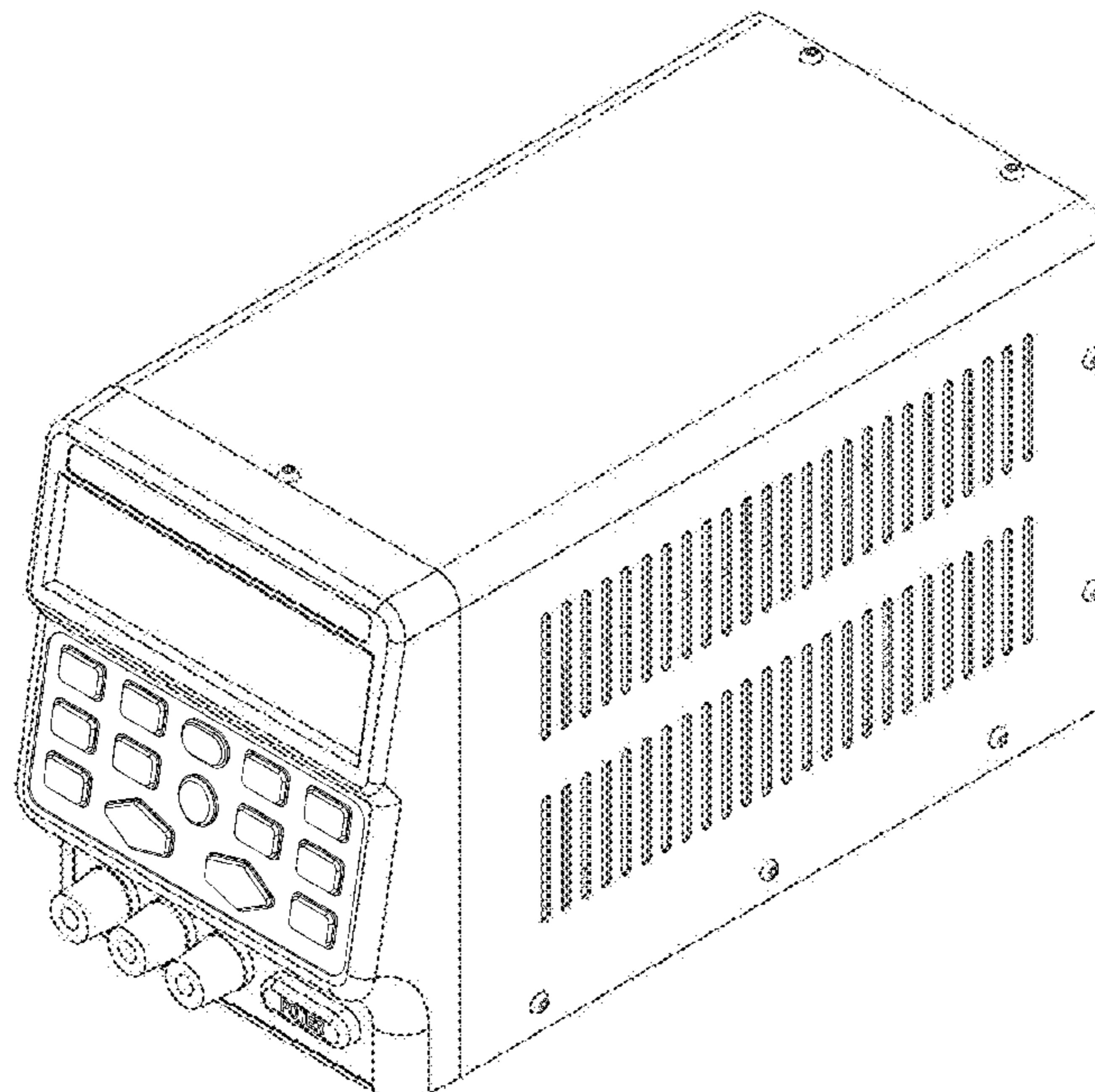
(58) **Field of Classification Search**
USPC D13/102–110, 118–119, 184, 199;
D14/356, 432
CPC Y02E 60/12; Y02T 90/14; Y02T 90/122;
Y02T 90/128; Y02T 90/163; H02J 7/025;
H02J 7/0042; H02J 7/0044; H02J 7/0045;
H02J 7/0003; H01F 38/14; H01R
13/6675; H01M 2/1022; H01M 2/1055;
H01M 10/44; H01M 10/46; H01M
10/425; B60L 11/182

FIG. 1 is a perspective view of the switching power supply showing my new design;
FIG. 2 is a front view thereof;
FIG. 3 is a rear view thereof;
FIG. 4 is a left side view thereof;
FIG. 5 is a right side view thereof;
FIG. 6 is a top view thereof; and,
FIG. 7 is a bottom view thereof.

The broken lines in the figures depict portions of the article which form no part of the claimed design.

See application file for complete search history.

1 Claim, 7 Drawing Sheets



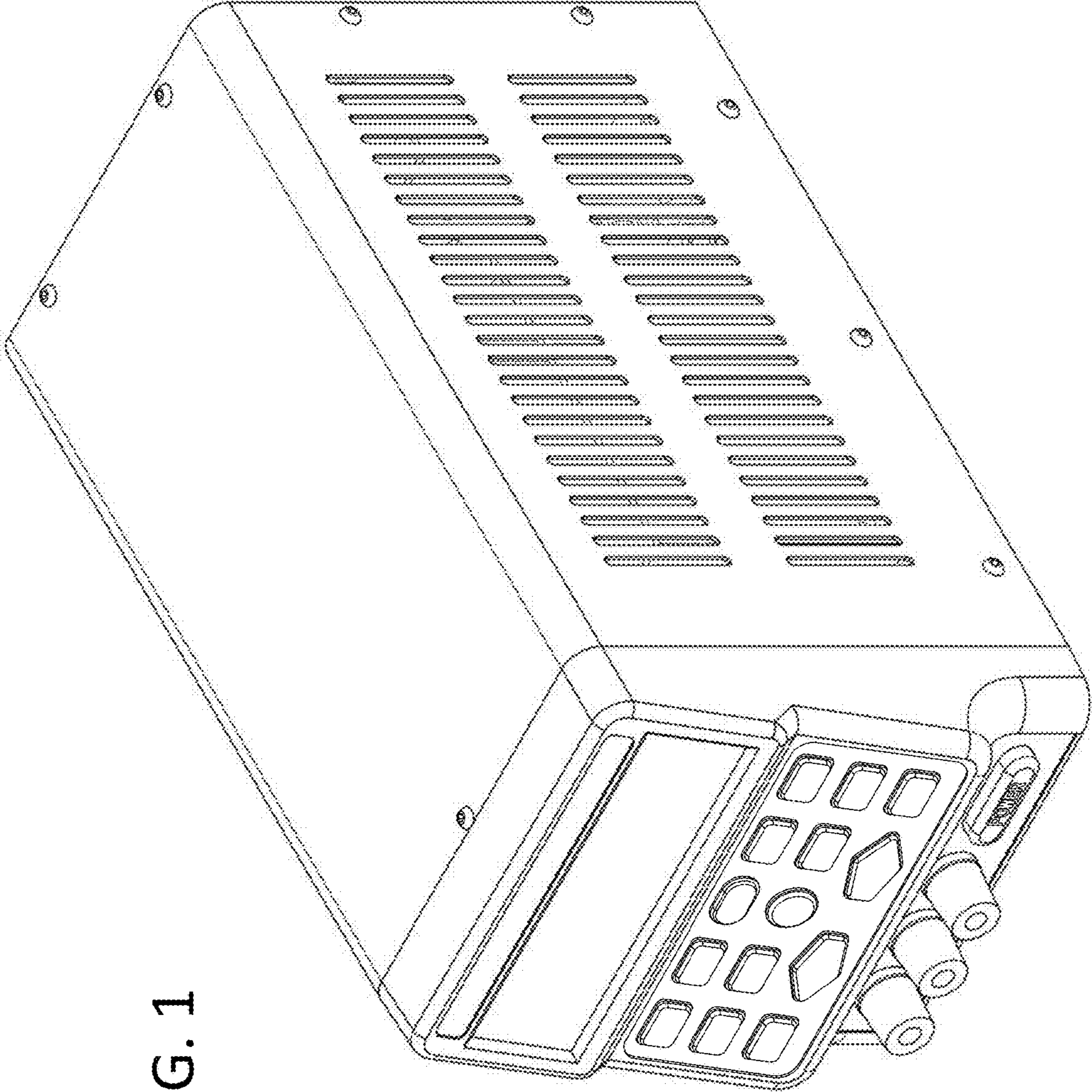


FIG. 1

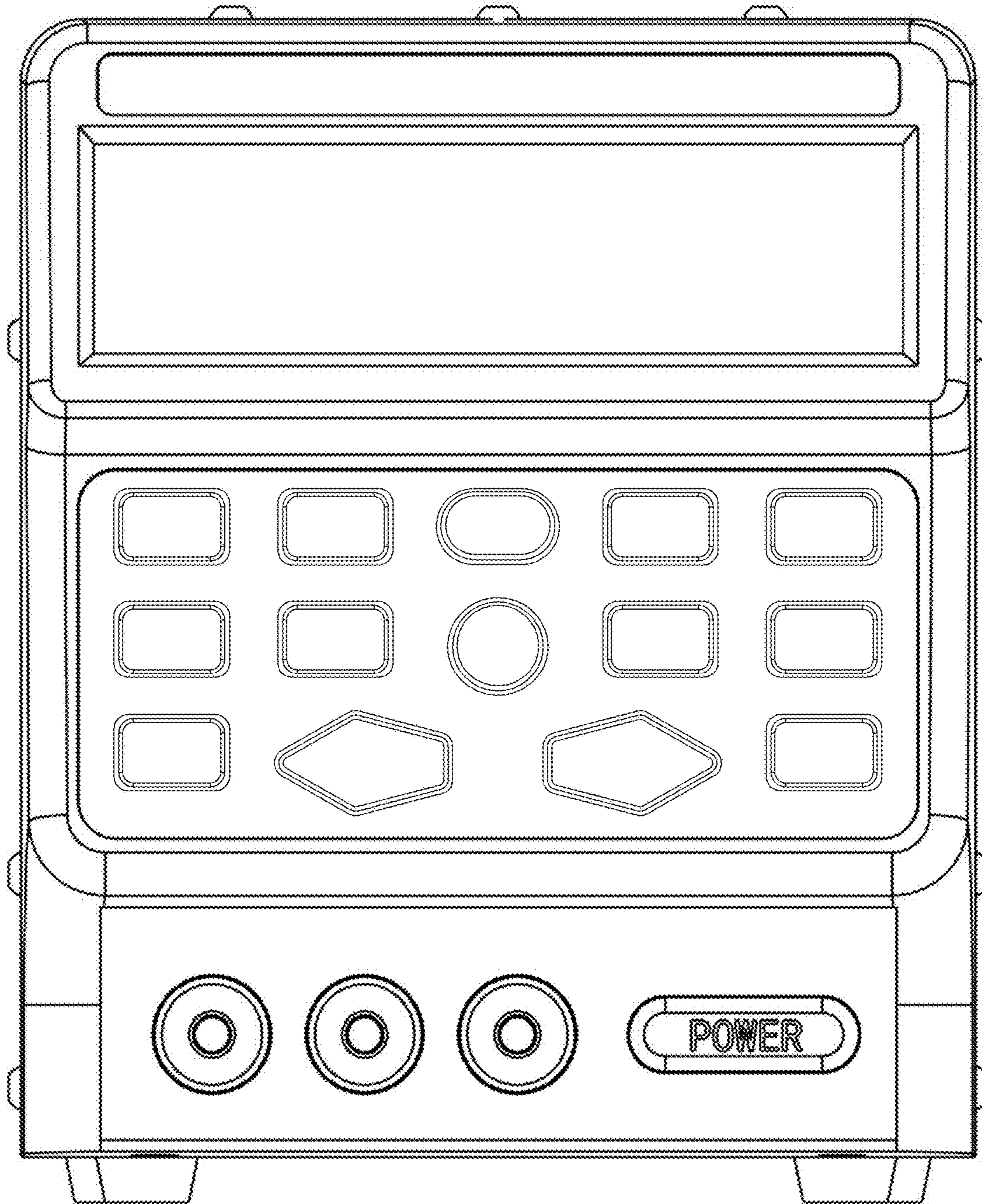


FIG. 2

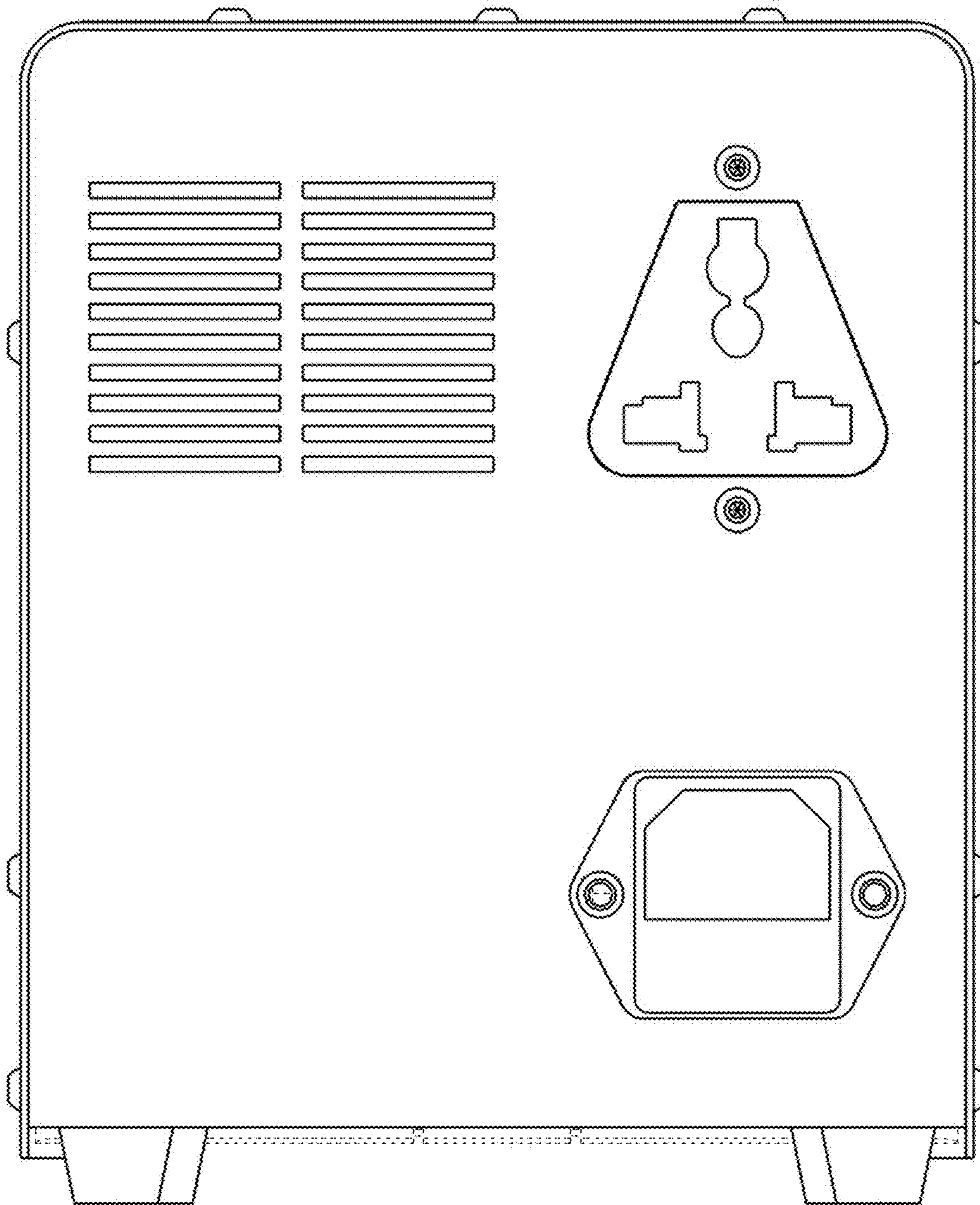


FIG. 3

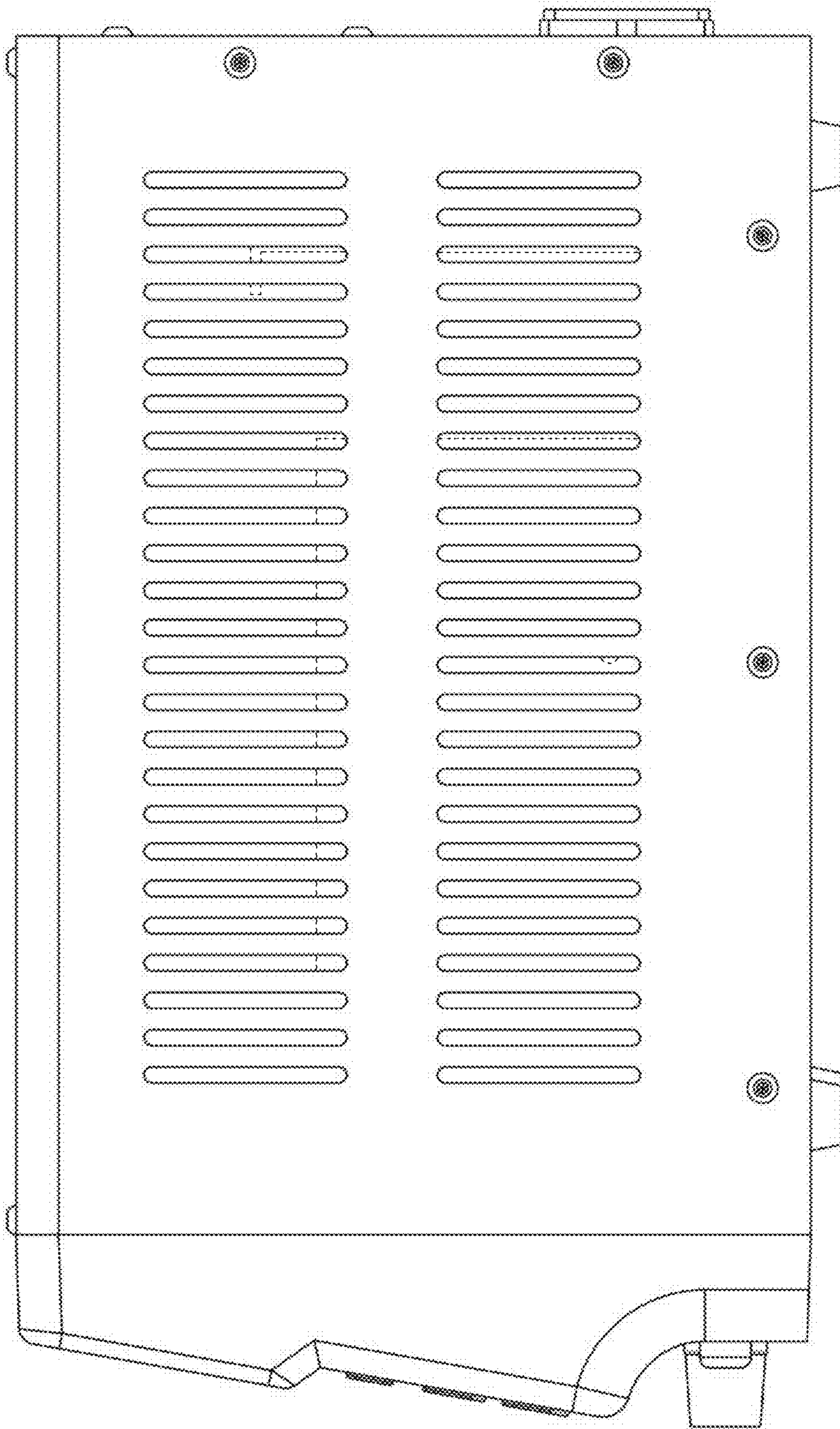


FIG. 4

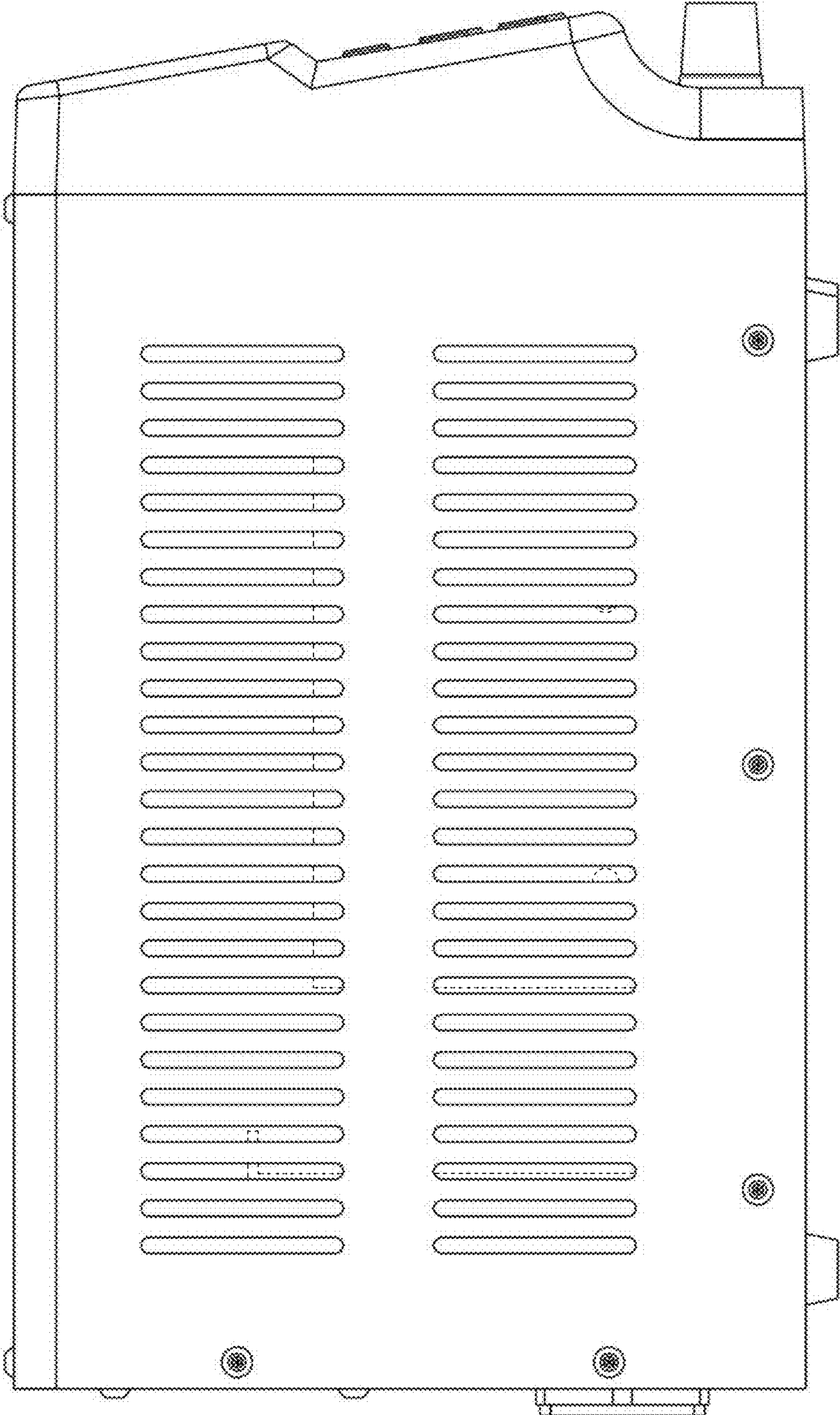


FIG. 5

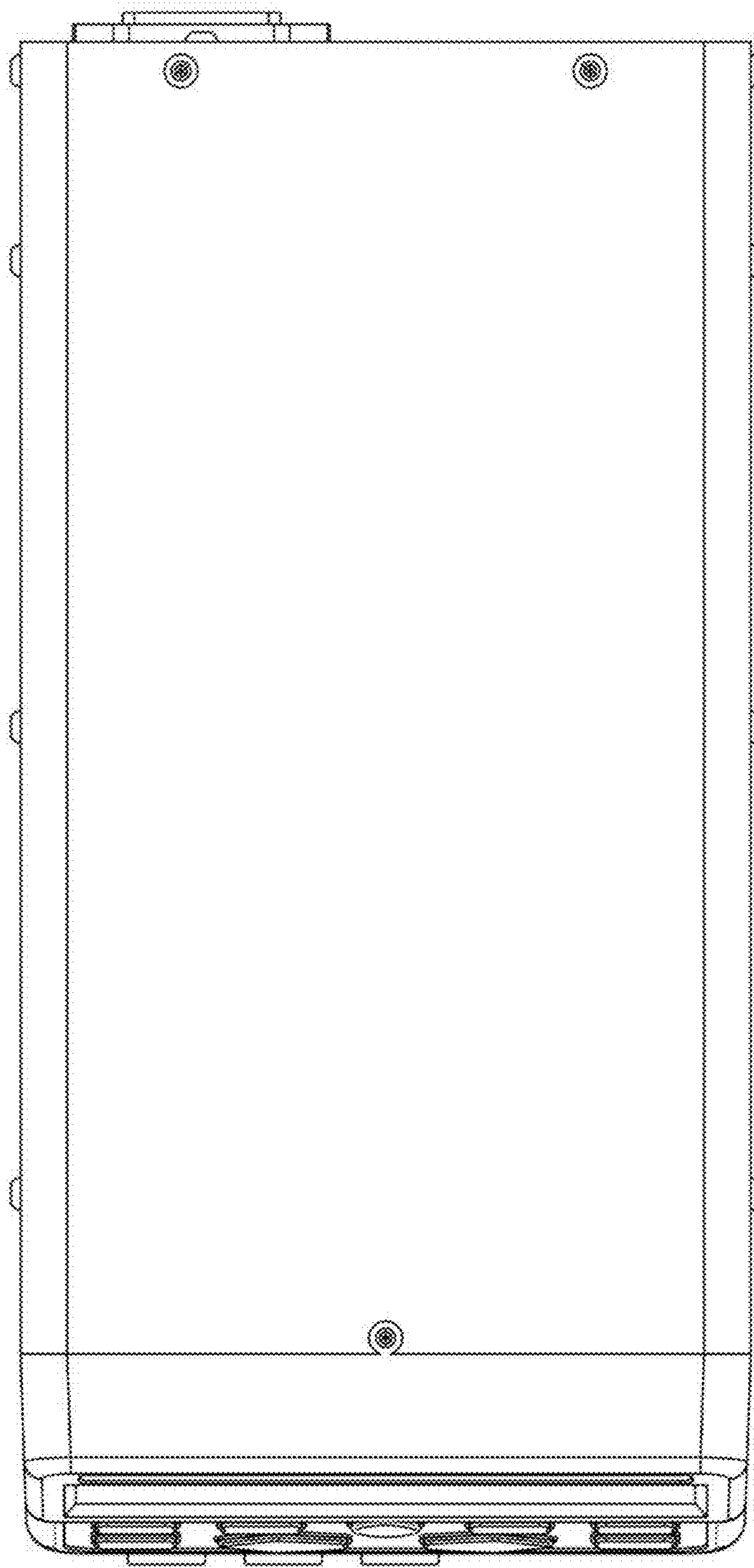


FIG. 6

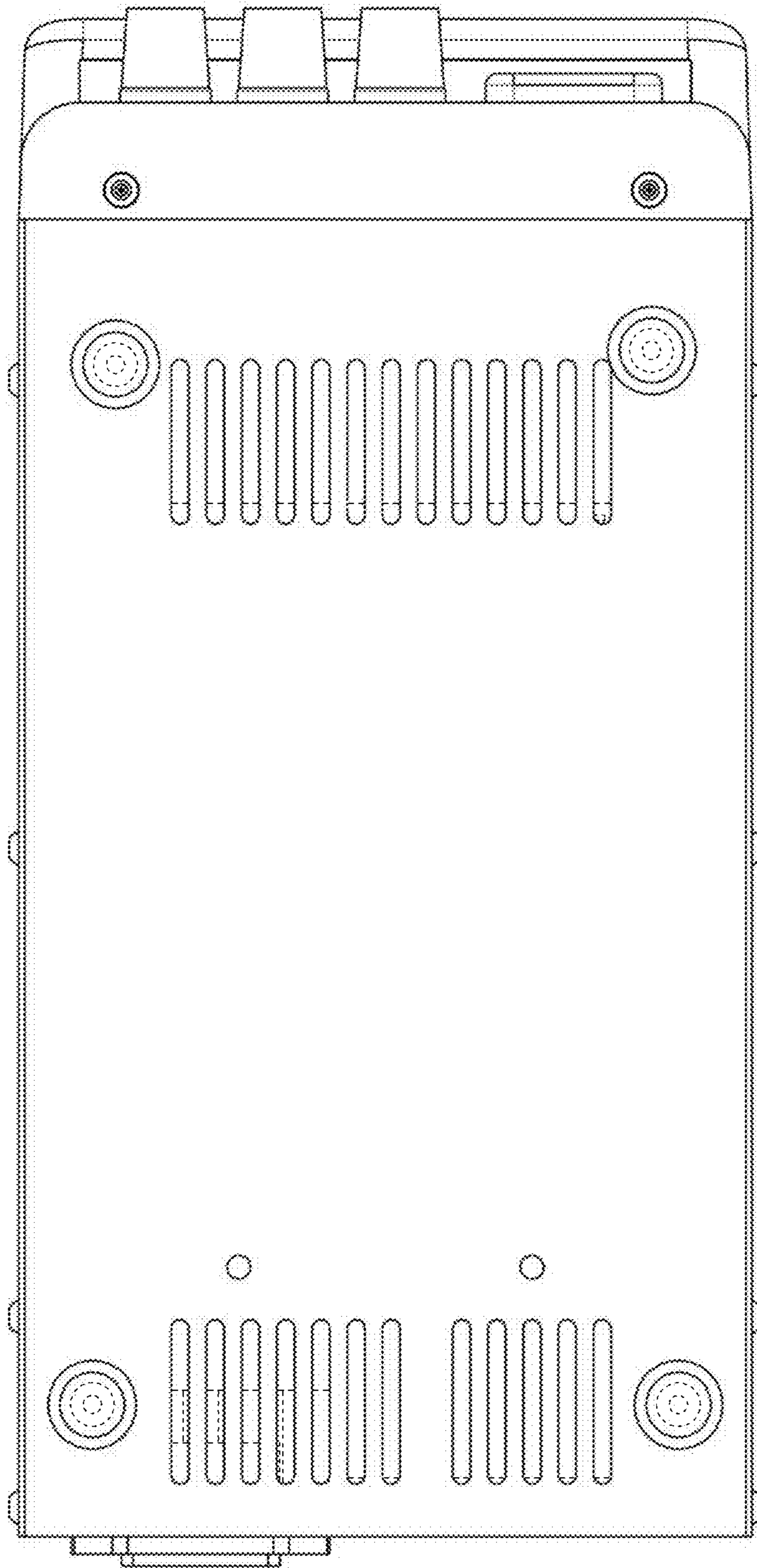


FIG. 7