

US00D844560S

(12) **United States Design Patent**
Miller et al.

(10) **Patent No.:** **US D844,560 S**
(45) **Date of Patent:** **** Apr. 2, 2019**

(54) **PORTABLE POWER CHARGER**

(71) Applicant: **Halo International Sezc Ltd.,**
Georgetown, Grand Cayman (KY)

(72) Inventors: **Garold C. Miller**, Hartford, CT (US);
Nathan Daniel Weinstein, Hartford,
CT (US)

(73) Assignee: **Halo International SEZC Ltd.,**
Georgetown (KY)

(**) Term: **15 Years**

(21) Appl. No.: **29/624,262**

(22) Filed: **Oct. 31, 2017**

(51) **LOC (11) Cl.** **13-02**

(52) **U.S. Cl.**
USPC **D13/108; D13/103**

(58) **Field of Classification Search**
USPC **D13/102–110, 118–119, 184, 199;**
D14/356, 432

CPC **Y02E 60/10; Y02E 60/12; Y02E 60/122;**
Y02E 60/124; Y02E 60/50; H01M 2/02;
H01M 2/022; H01M 2/0202; H01M
2/0207; H01M 2/0212; H01M 2/1061;
H01M 2/1022; H01M 2/1055; H01M
2/1066; H01M 2/105; H01M 2/20; H01M
2/204; H01M 2/206; H01M 10/44; H01M
10/46; H01M 10/465; H01M 10/482;
H01M 2200/30; H01M 2250/30; H01M
2250/40; H02J 7/00; H02J 7/0003; H02J
7/0011; H02J 7/0013; H02J 7/0054; H02J
7/0055; H02J 7/0057; H02J 2007/0062

See application file for complete search history.

(56) **References Cited**

U.S. PATENT DOCUMENTS

D296,440 S * 6/1988 Smith D14/432
D409,975 S * 5/1999 Zeller D13/103

D537,036 S * 2/2007 Chen D14/433
D587,267 S 2/2009 Wang
D662,050 S 6/2012 Tien
D662,878 S 7/2012 Fahrendorff et al.
D674,748 S 1/2013 Ferber et al.
D677,261 S 3/2013 Hsu et al.
D692,375 S 10/2013 Mamane
D692,826 S 11/2013 Aida et al.
D698,680 S * 2/2014 Burstein D10/106.9
D704,626 S 5/2014 Li
D705,782 S * 5/2014 McParland D14/435
D709,026 S 7/2014 Lee et al.
D713,785 S 9/2014 Tehrani
D722,603 S 2/2015 Lay et al.
D730,280 S * 5/2015 Koebler D13/107
D749,596 S 2/2016 Khodapanah et al.

(Continued)

Primary Examiner — Rosemary K Tarcza

Assistant Examiner — Nathaniel D. Buckner

(74) *Attorney, Agent, or Firm* — McCormick, Paulding &
Huber LLP

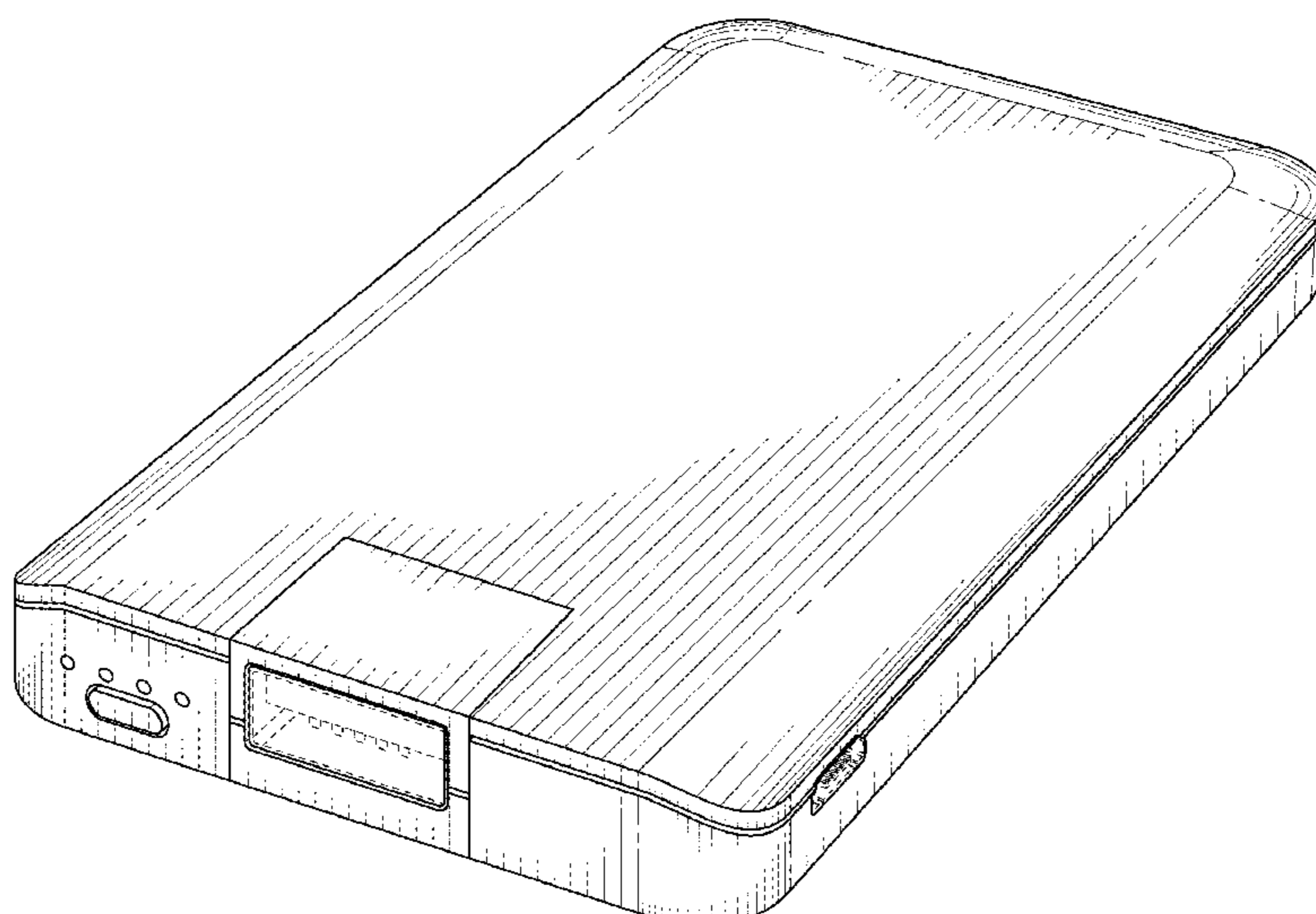
(57) **CLAIM**

The ornamental design for a portable power charger, sub-
stantially as shown and described.

DESCRIPTION

FIG. 1 is a front, top perspective view of a portable power
charger showing our new design;
FIG. 2 is another front, top perspective view thereof, shown
in an alternate configuration of use with a pivotable portion
of the portable power charger moved;
FIG. 3 is a top view thereof;
FIG. 4 is a bottom view thereof;
FIG. 5 is a front-end view thereof;
FIG. 6 is a rear-end view thereof;
FIG. 7 is a left-hand side view thereof; and,
FIG. 8 is a right-hand side view thereof.
The broken lines in the figures depict portions of the article
which form no part of the claimed design.

1 Claim, 6 Drawing Sheets



(56)

References Cited

U.S. PATENT DOCUMENTS

D765,070	S	8/2016	Franklin	
D776,050	S *	1/2017	Awad	D13/102
D782,974	S *	4/2017	Ju	D13/108
D786,790	S *	5/2017	Miller	D13/108
D786,882	S	5/2017	Cho	
D789,358	S *	6/2017	Yang	D14/356
D791,070	S *	7/2017	Son	D13/103
D791,697	S *	7/2017	Precheur	D13/107
D792,415	S	7/2017	Tsai	
D792,416	S	7/2017	Tsai	
D797,044	S *	9/2017	Miller	D13/108
D804,411	S *	12/2017	Lentine	D13/107
D804,413	S	12/2017	McSweyn et al.	
D822,598	S	7/2018	Warren	
D825,548	S	8/2018	Lebovitz	
D828,295	S *	9/2018	Li	D13/108
2013/0150134	A1	6/2013	Pliner et al.	

* cited by examiner

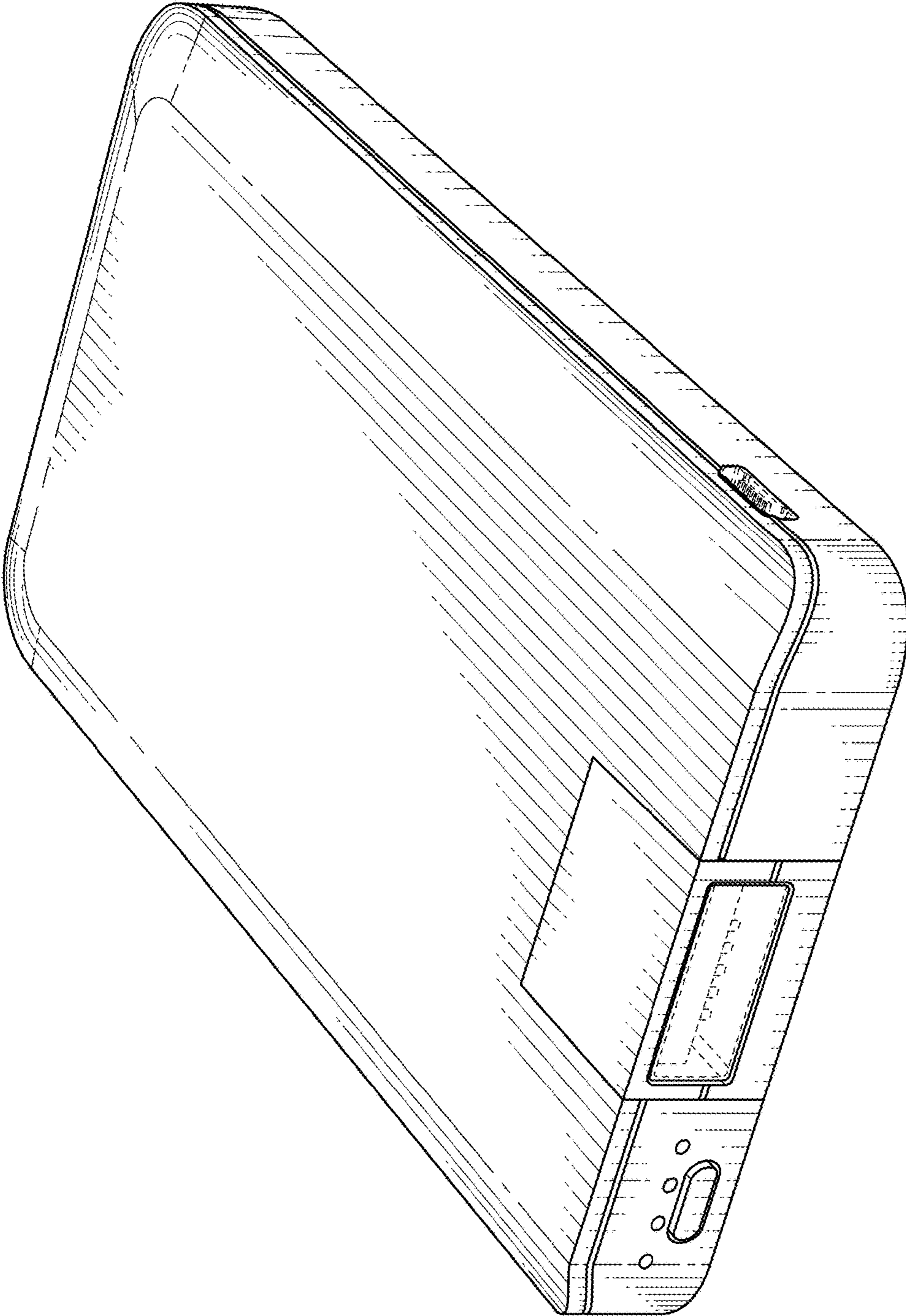


FIG. 1

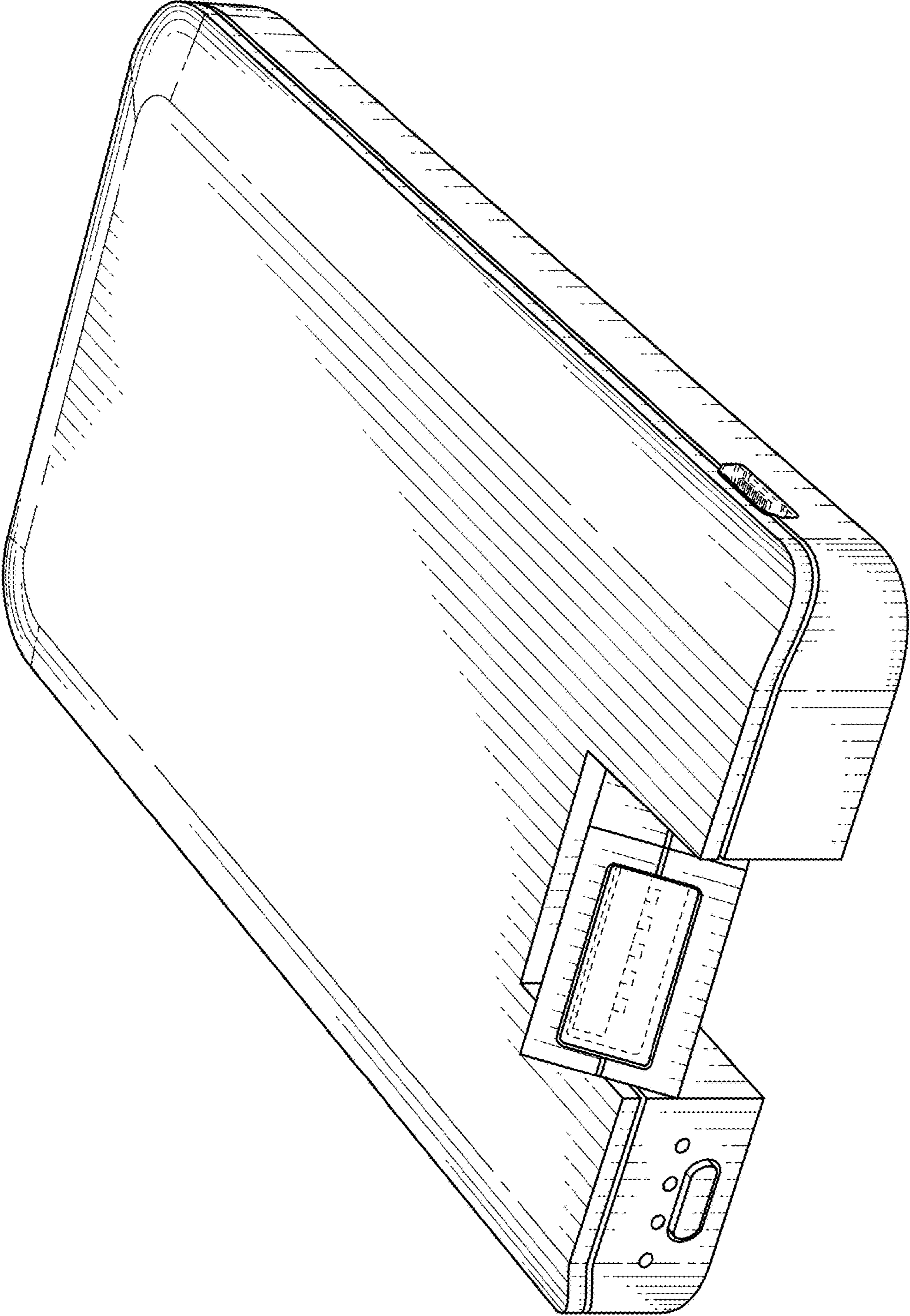


FIG. 2

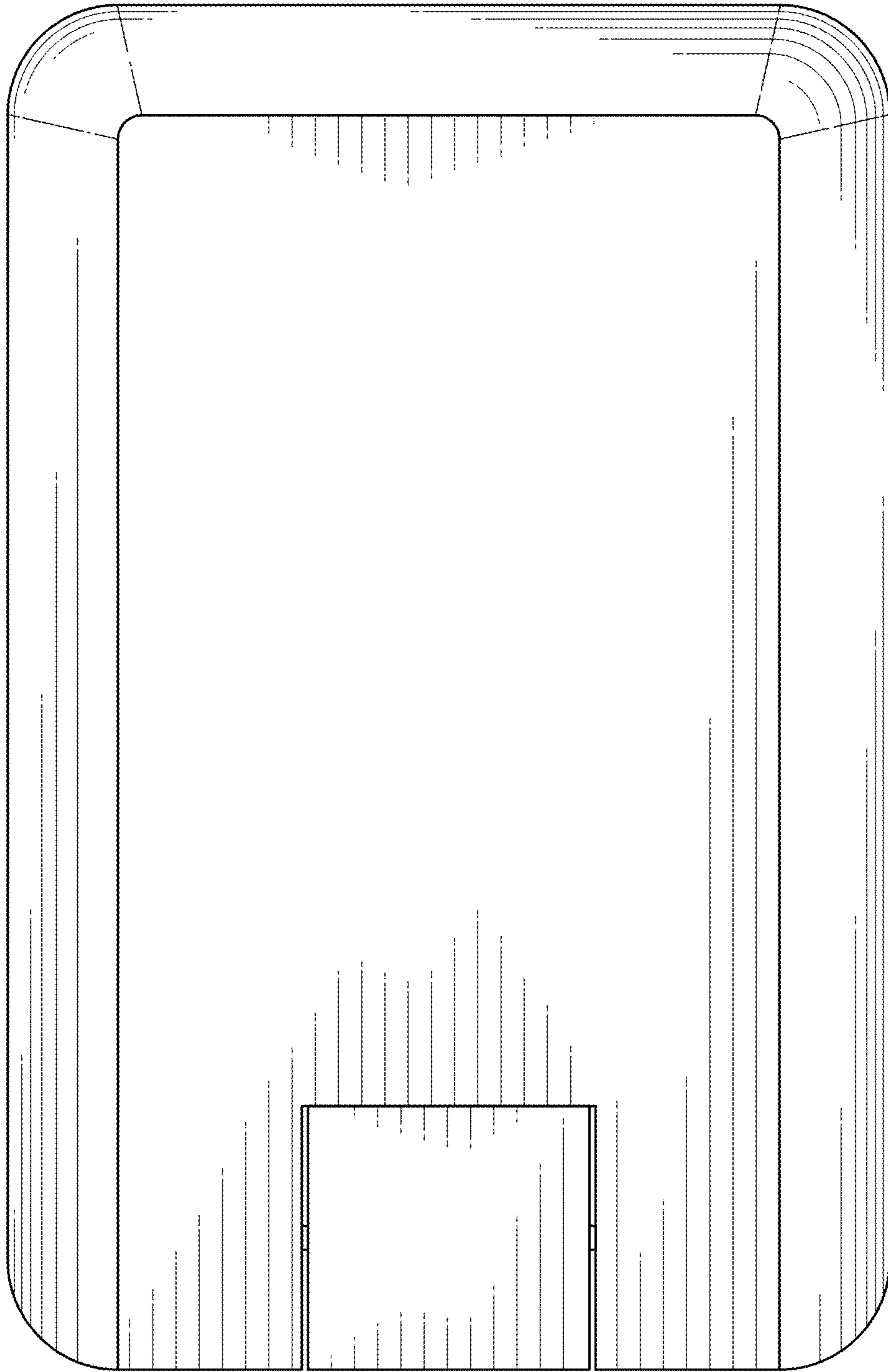


FIG. 3

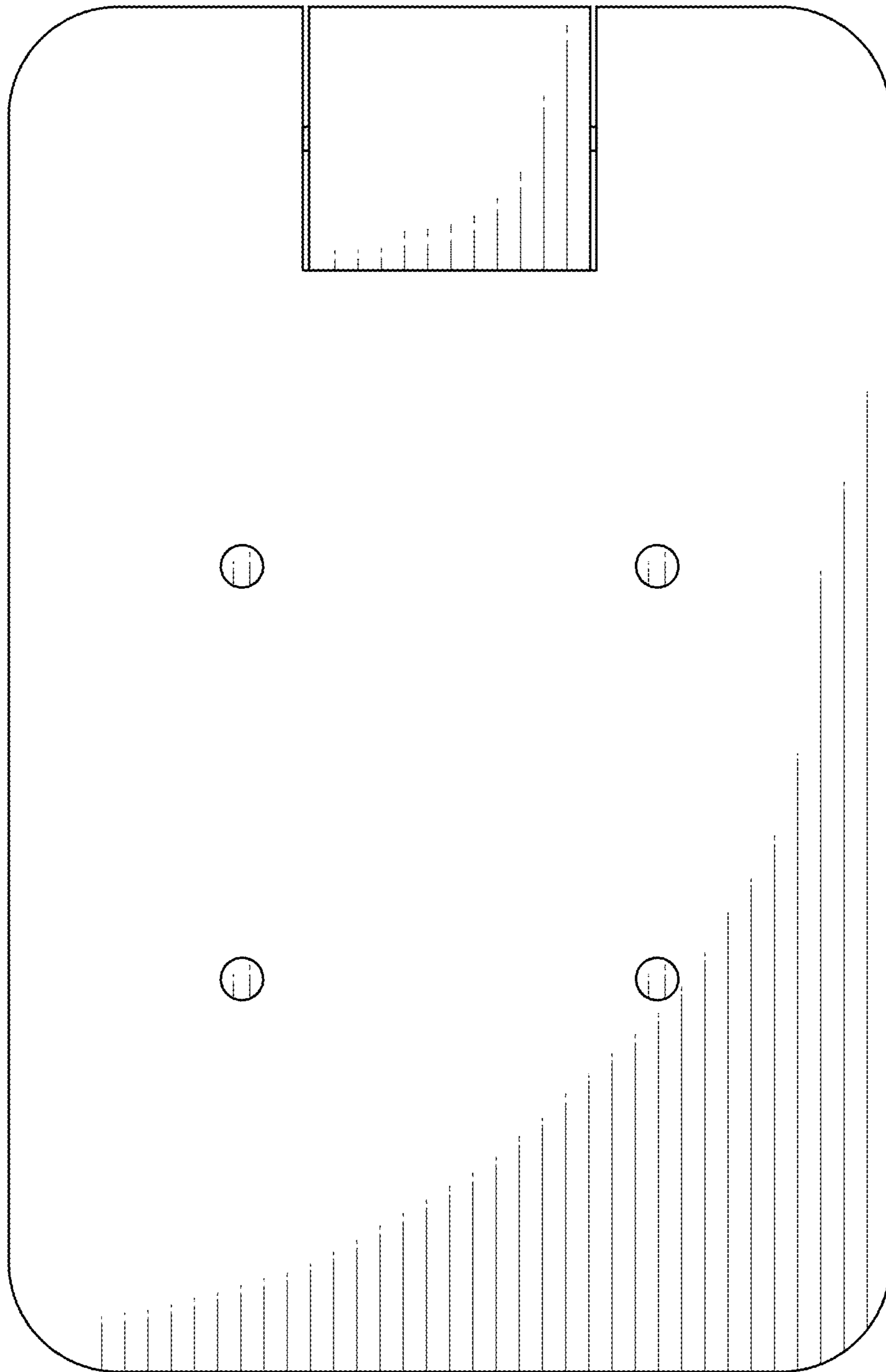


FIG. 4

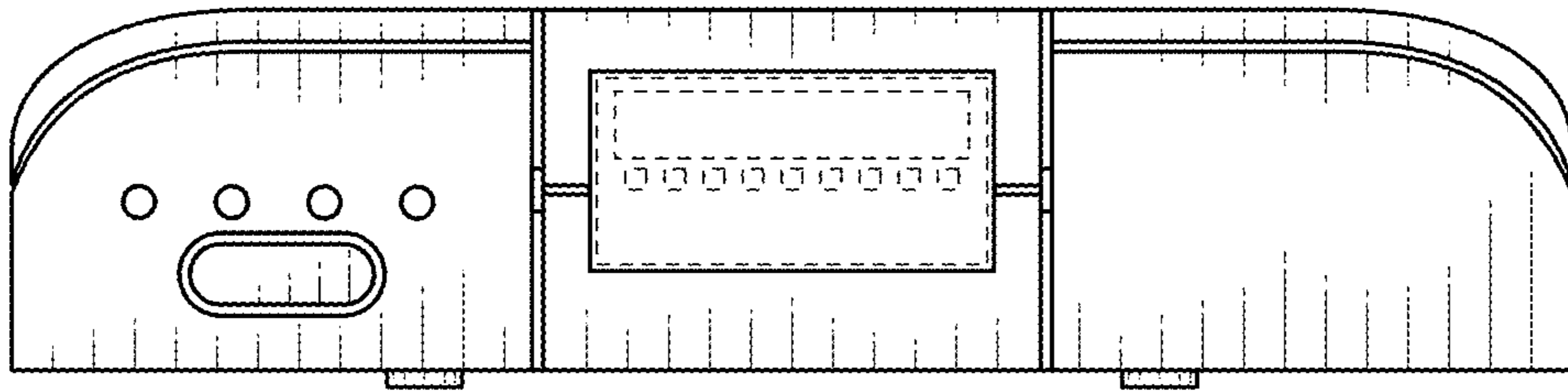


FIG. 5

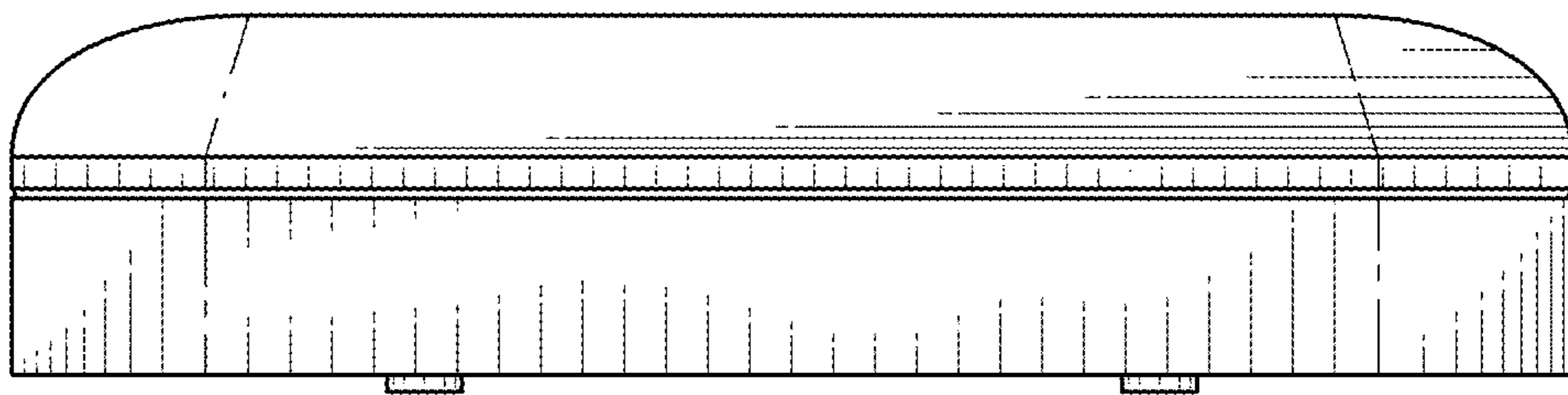


FIG. 6

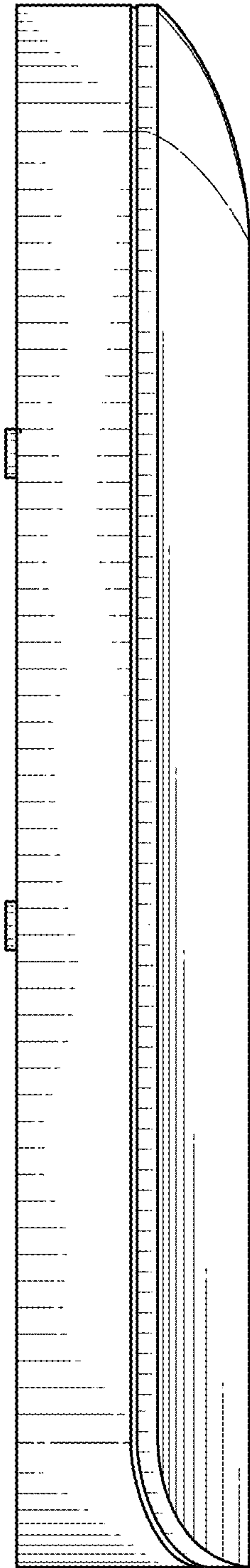


FIG. 7

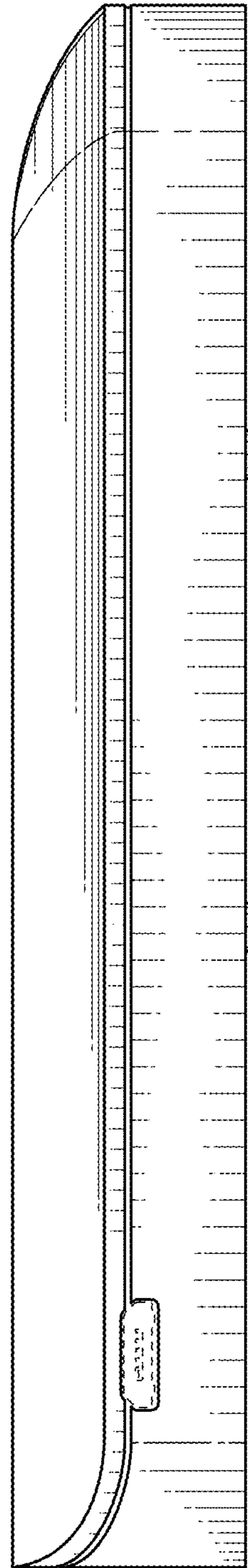


FIG. 8