



US00D844559S

(12) **United States Design Patent** (10) **Patent No.:** **US D844,559 S**
Mercer et al. (45) **Date of Patent:** **** *Apr. 2, 2019**

(54) **ELECTRIC VEHICLE CHARGING SYSTEM**

(71) Applicant: **VOLTA INDUSTRIES LLC**,
Honolulu, HI (US)
(72) Inventors: **Scott A. Mercer**, Honolulu, HI (US);
Michael A. Menendez, Honolulu, HI
(US); **Christopher R. Ching**, Honolulu,
HI (US); **Raul G. Podesta**, Buenos
Aires (AR)

(73) Assignee: **Volta Industries LLC**, Honolulu, HI
(US)

(*) Notice: This patent is subject to a terminal dis-
claimer.

(**) Term: **14 Years**

(21) Appl. No.: **29/441,028**

(22) Filed: **Dec. 31, 2012**

(51) **LOC (11) Cl.** **13-02**

(52) **U.S. Cl.**
USPC **D13/107**

(58) **Field of Classification Search**
USPC D13/107, 108, 110, 123; 320/109;
361/679.21; D14/307
CPC B60L 11/1809–11/1812; B60L 11/1824;
Y02T 10/7088–10/7094
See application file for complete search history.

(56) **References Cited**

U.S. PATENT DOCUMENTS

D273,580 S * 4/1984 Riumbau D13/107
6,459,234 B2 10/2002 Kajitura
D507,813 S * 7/2005 Gillard D20/19
D542,849 S * 5/2007 Hill et al. D20/10
D608,733 S 1/2010 Smith
D608,734 S 1/2010 Smith
D613,683 S 4/2010 Baxter et al.

D618,168 S 6/2010 Baxter et al.
D618,204 S 6/2010 Andre et al.
D626,063 S 10/2010 Cutter et al.
D626,064 S 10/2010 Cutter et al.
D626,065 S 10/2010 Cutter et al.
D633,908 S 3/2011 Akana et al.
D637,553 S 5/2011 Shin
D644,218 S 8/2011 Akana et al.
D646,269 S * 10/2011 Crick et al. D14/307
D647,053 S 10/2011 Gotou et al.

(Continued)

Primary Examiner — Brett Miller

(74) *Attorney, Agent, or Firm* — DLA Piper LLP (US)

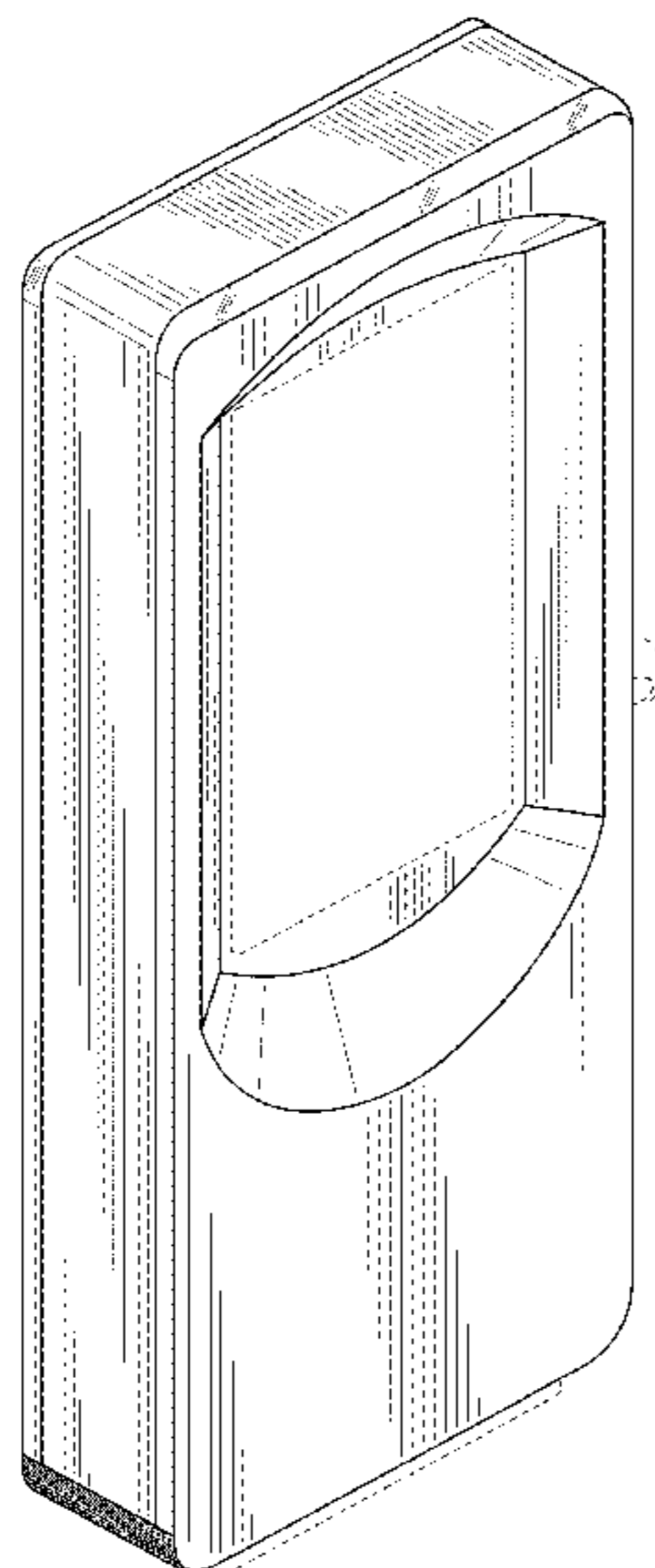
(57) **CLAIM**

The ornamental design for an electric vehicle charging system, as shown and described.

DESCRIPTION

FIG. 1 is an upper left front perspective view of an electric vehicle charging system showing our new design; FIG. 2 is an upper right rear perspective view thereof; FIG. 3 is a front elevational view thereof; FIG. 4 is a right side elevational view thereof; FIG. 5 is a rear elevational view thereof; FIG. 6 is a left side elevational view thereof; FIG. 7 is a top plan view thereof; FIG. 8 is a bottom plan view thereof; FIG. 9 is a top left from perspective cutaway view showing illumination elements; FIG. 10 is a side and enlarged elevational cutaway view of the electric vehicle charging system of FIGS. 4 and 6; and, FIG. 11 is an enlarged bottom plan view showing details of air vents of the electric vehicle charging system of FIG. 8. The shade lines in the Figures show contour and not surface ornamentation. The broken lines in the Figures show portions of the electric vehicle charging system which forms no part of the claimed design.

1 Claim, 5 Drawing Sheets



(56)

References Cited

U.S. PATENT DOCUMENTS

D654,430	S	2/2012	Demers et al.	
D654,857	S	2/2012	Salazar et al.	
D654,858	S	2/2012	Salazar et al.	
D654,860	S	2/2012	Holthusen	
D654,861	S	2/2012	Holthusen	
D659,635	S	5/2012	Hou et al.	
D664,086	S	7/2012	Chin-Ho Kim et al.	
D664,087	S	7/2012	Chin-Ho Kim et al.	
D664,089	S	7/2012	Chin-Ho Kim et al.	
D669,071	S	10/2012	Akana et al.	
D674,334	S *	1/2013	Cutter et al.	D13/107
D691,208	S *	10/2013	Gorelick	D20/10
D696,658	S *	12/2013	Winston et al.	D14/307
D708,573	S *	7/2014	Gieniec et al.	D13/107
D712,349	S *	9/2014	Ahlgren	D13/107
D720,285	S *	12/2014	Gilomen	D13/107
D749,503	S *	2/2016	Ferguson	D13/107
D771,562	S *	11/2016	Dolle	D13/107
2010/0296234	A1 *	11/2010	Crick, Jr.	361/679.21
2011/0145141	A1 *	6/2011	Blain	320/109
2012/0262112	A1	10/2012	Ross	
2013/0069588	A1 *	3/2013	Oda et al.	320/109
2013/0207606	A1 *	8/2013	Ranga et al.	320/109

* cited by examiner

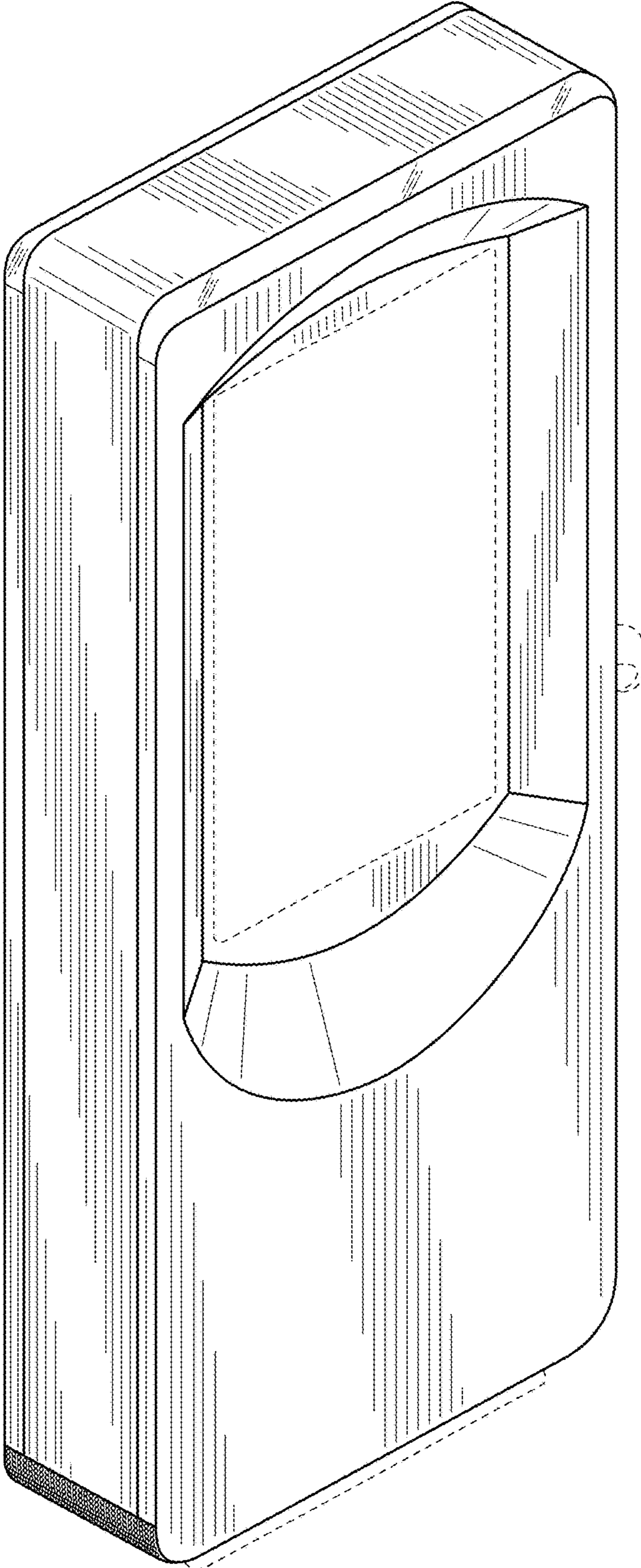


FIG. 1

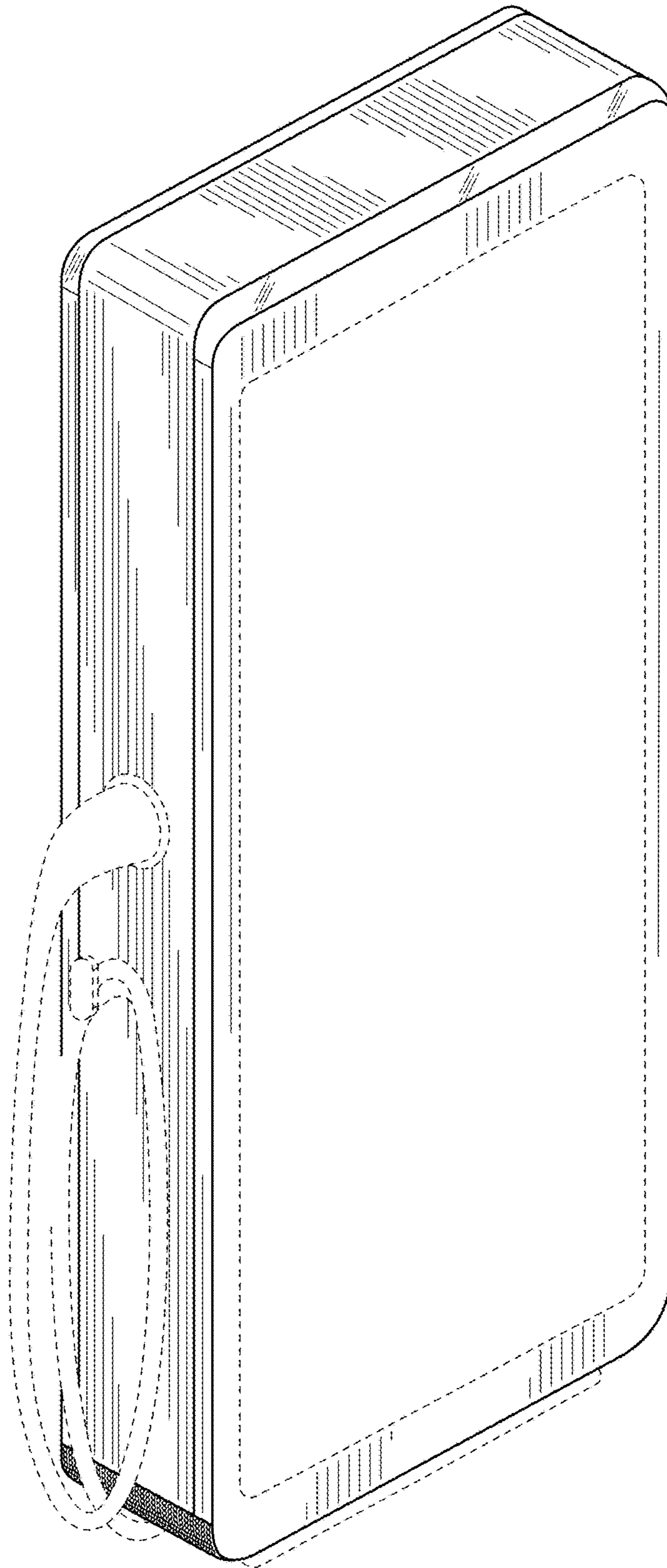


FIG. 2

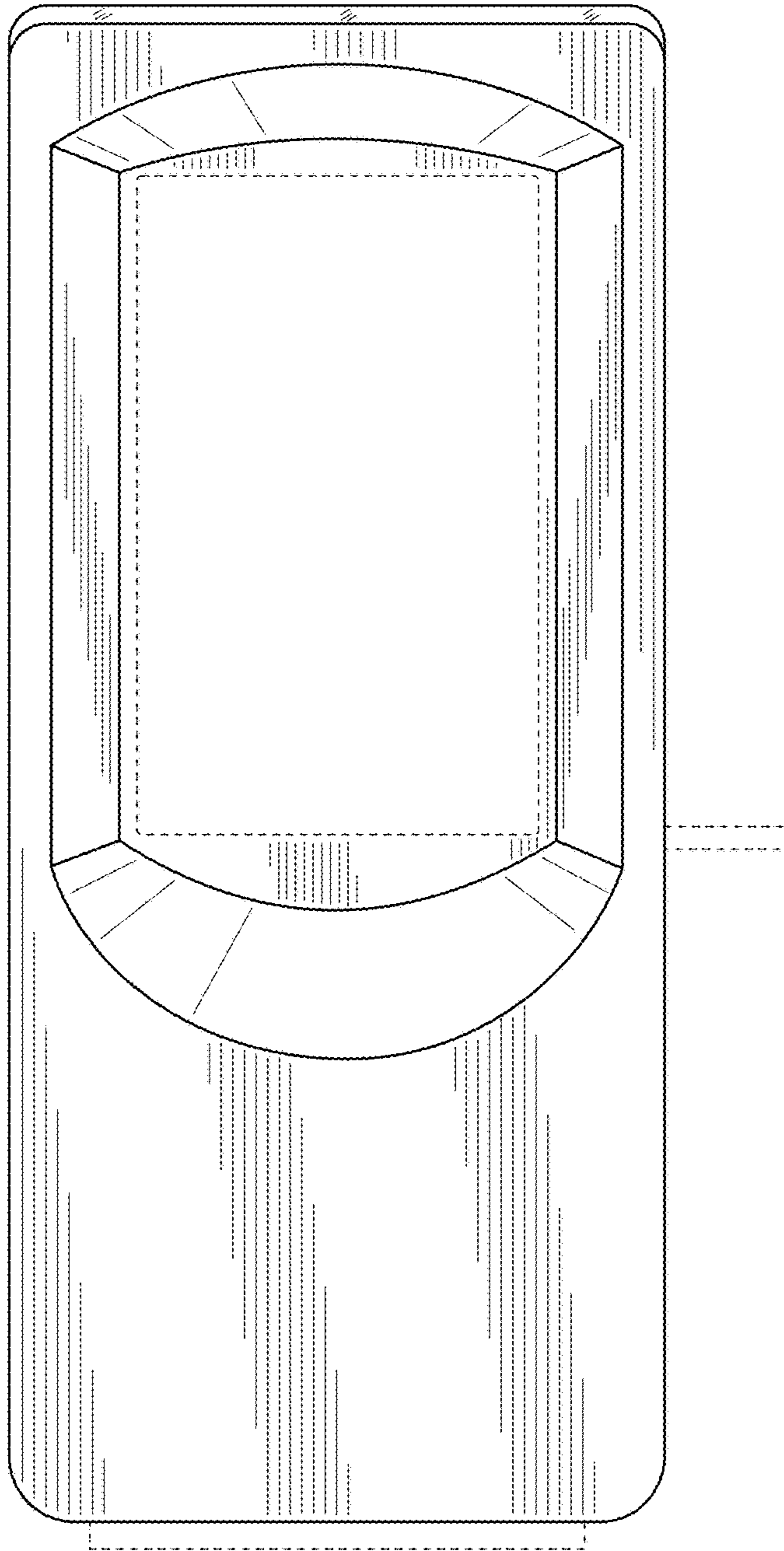


FIG. 3

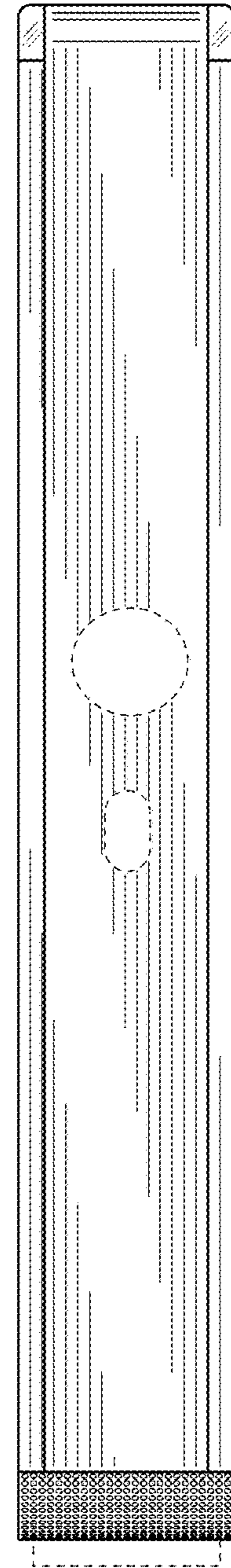


FIG. 4

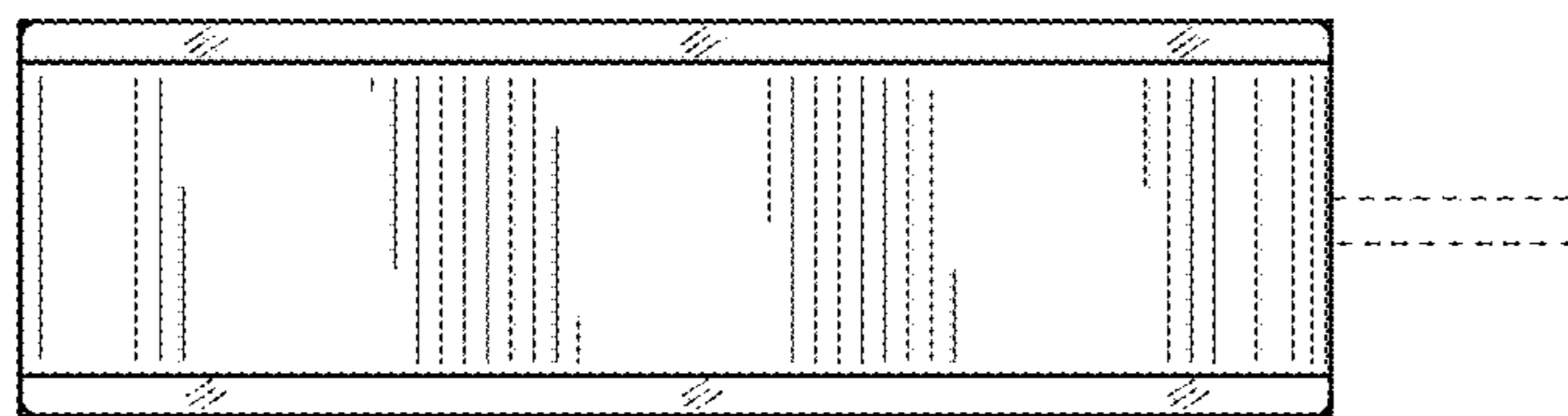


FIG. 7

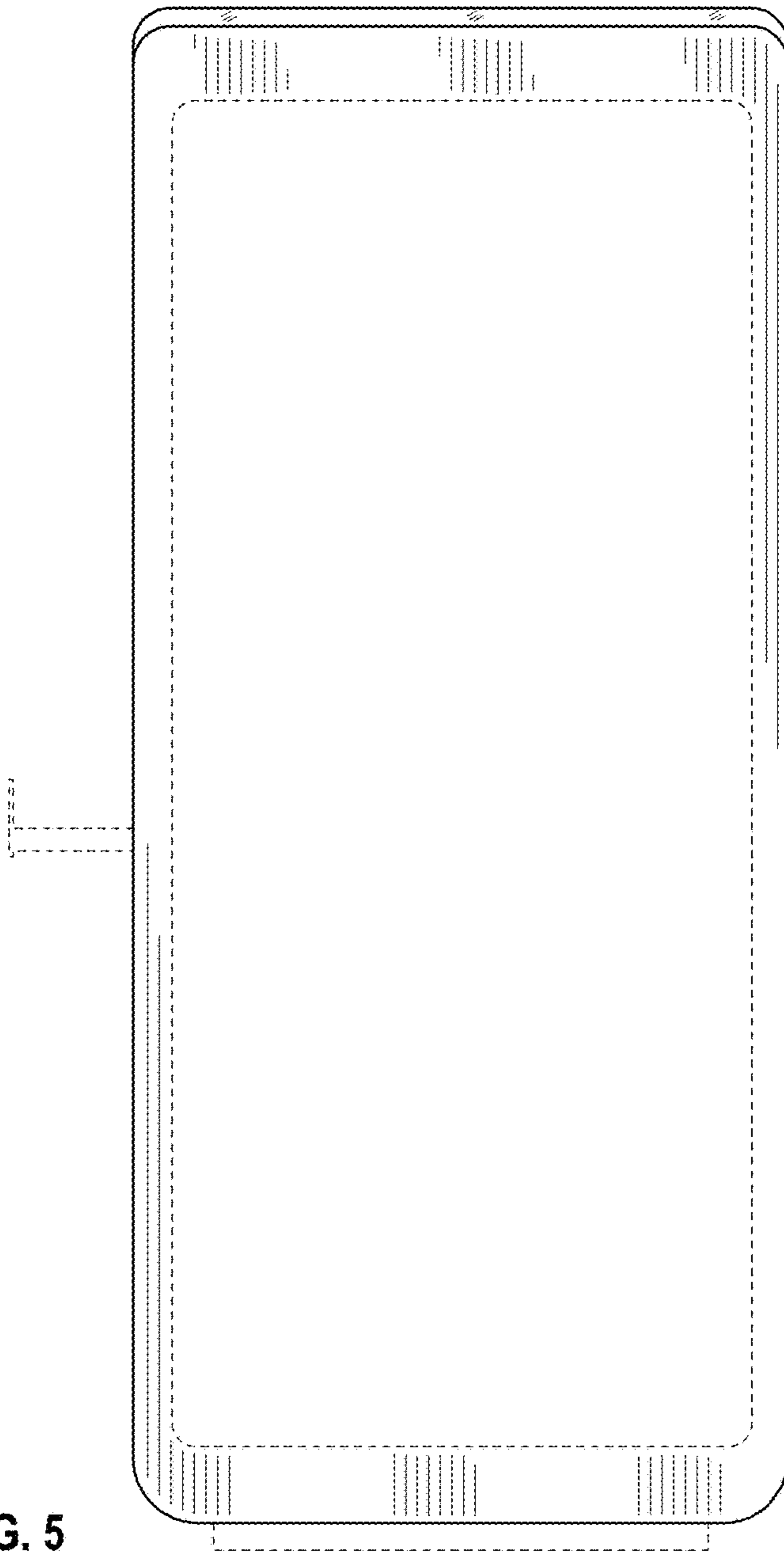


FIG. 5

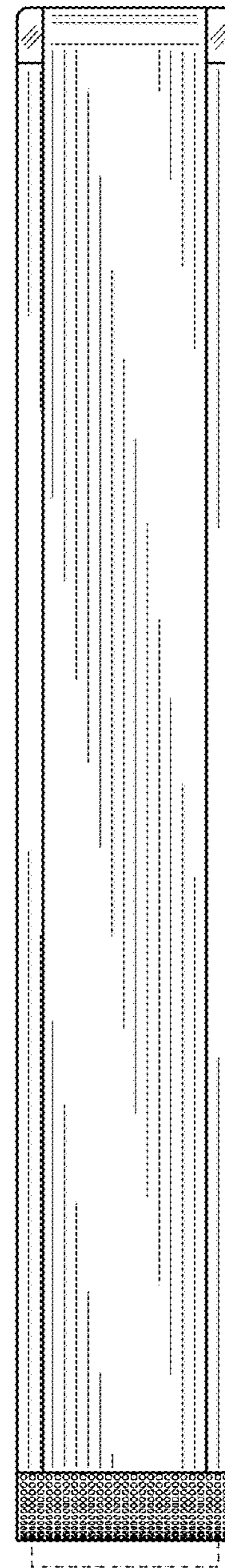


FIG. 6

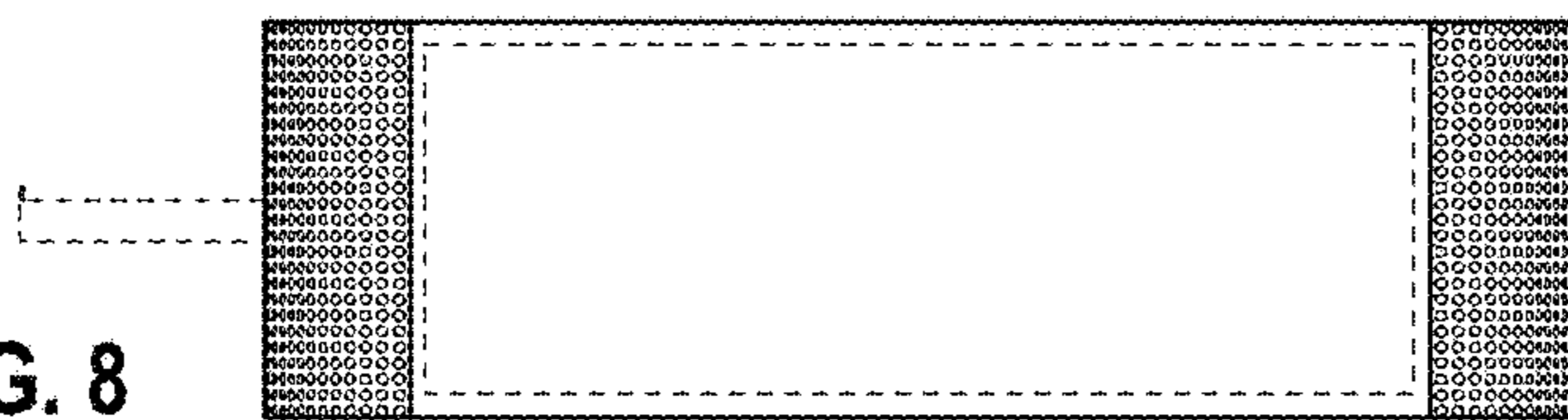


FIG. 8

FIG. 9

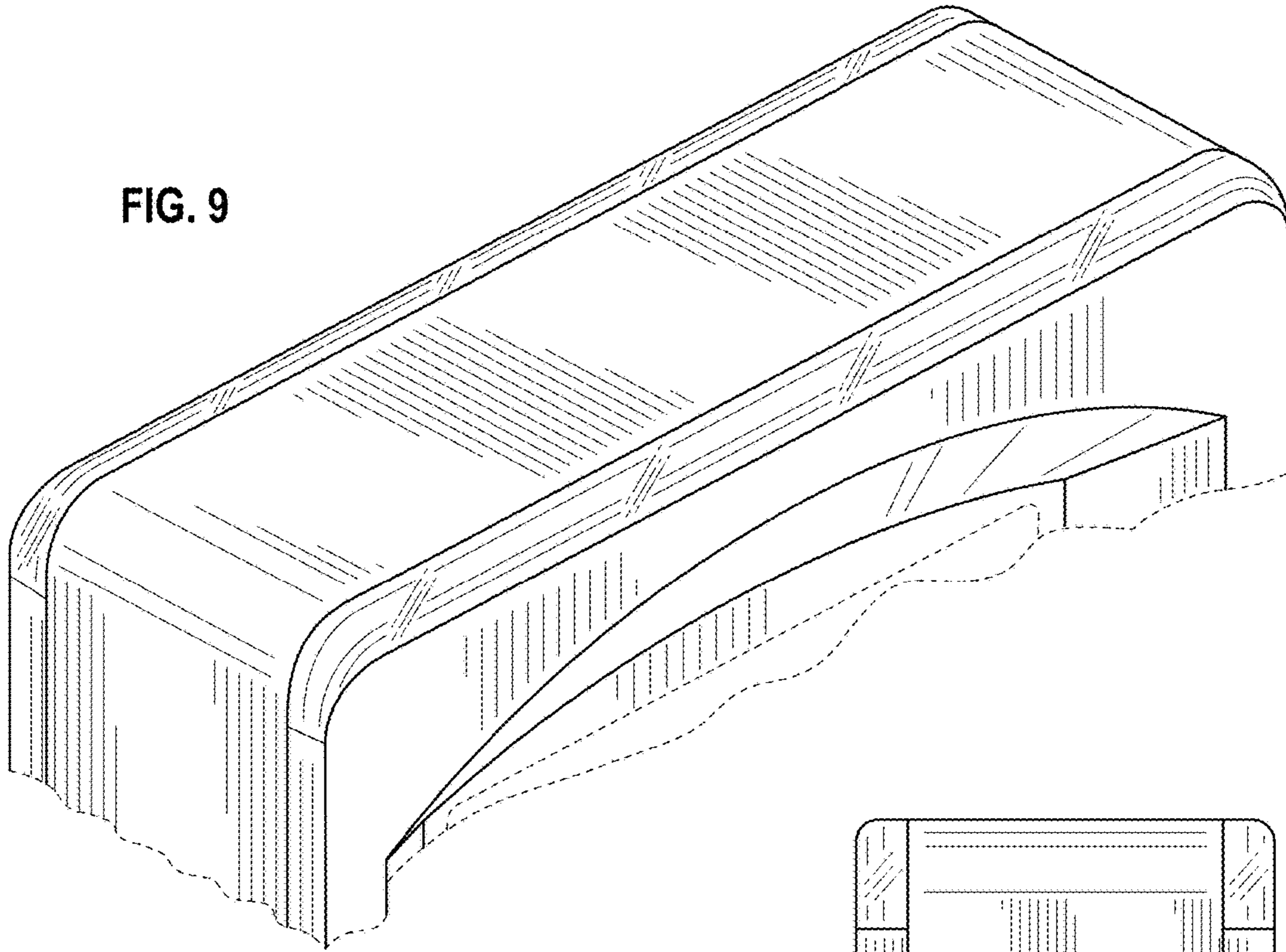


FIG. 10

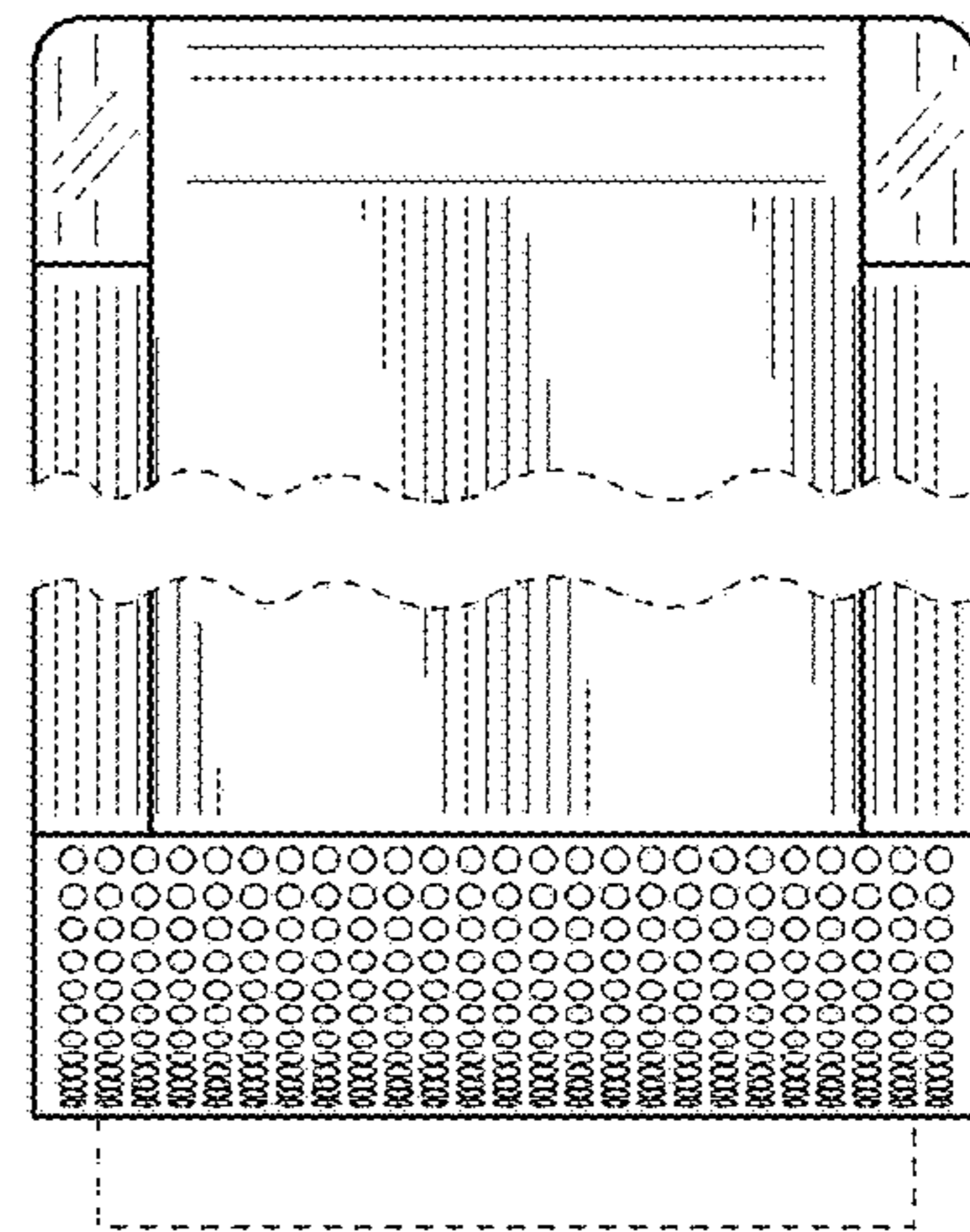
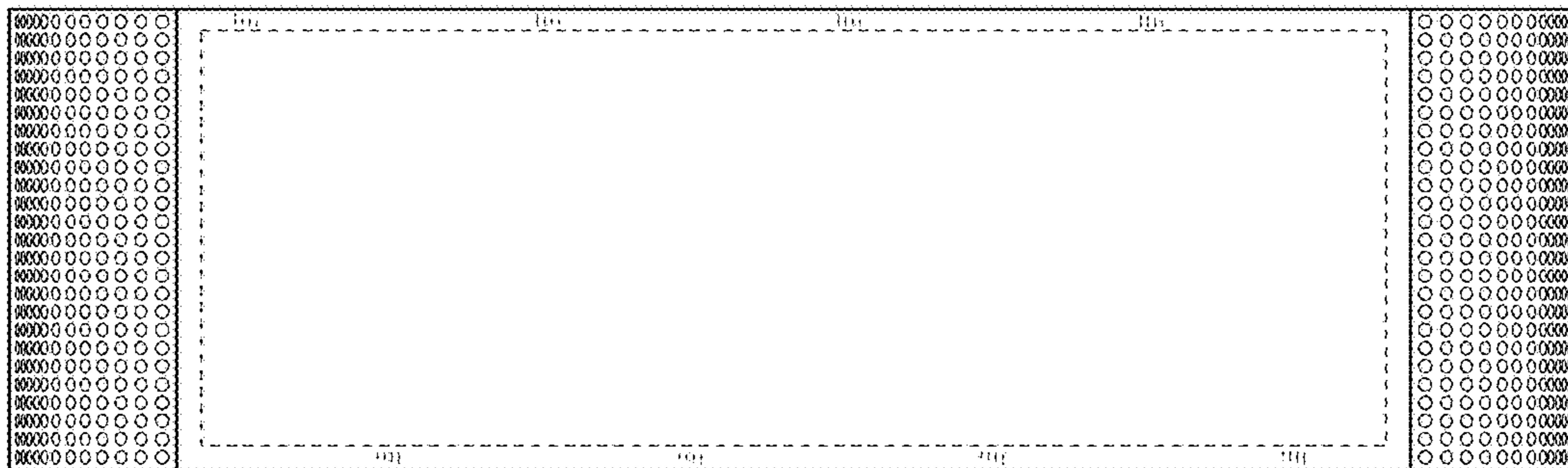


FIG. 11



UNITED STATES PATENT AND TRADEMARK OFFICE
CERTIFICATE OF CORRECTION

PATENT NO. : D844,559 S
APPLICATION NO. : 29/441028
DATED : April 2, 2019
INVENTOR(S) : Scott A. Mercer et al.

Page 1 of 1

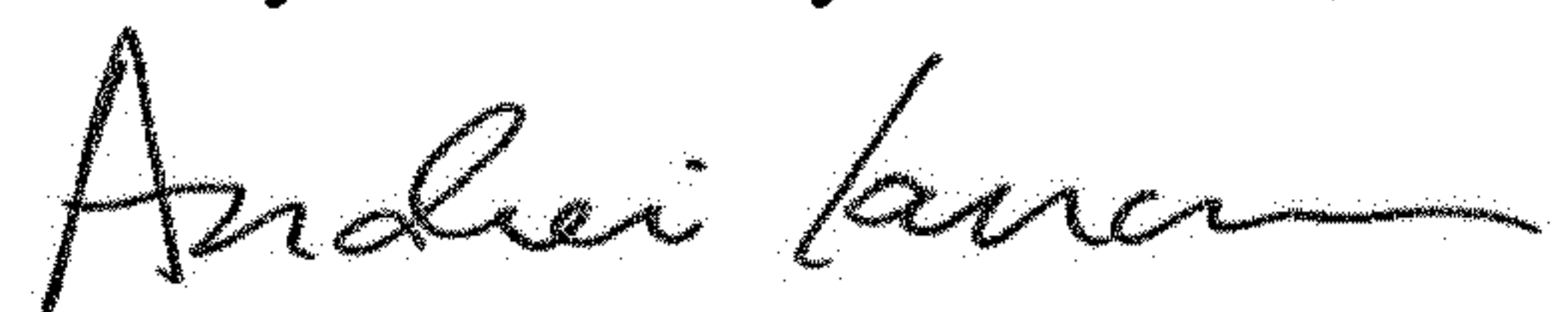
It is certified that error appears in the above-identified patent and that said Letters Patent is hereby corrected as shown below:

On the Title Page

Item (71) Applicant: change "Volta Industries LLC" to -- Volta Industries, Inc. --.

Item (73) Assignee: change "Volta Industries LLC" to -- Volta Industries, Inc. --.

Signed and Sealed this
Twenty-fourth Day of March, 2020



Andrei Iancu
Director of the United States Patent and Trademark Office